

LED

FRONT CAB -

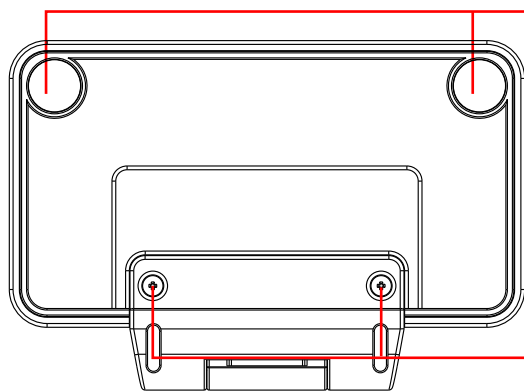
INJ.COL: PROCESS BLACK C
 SPRAY COL: NIL

■ TEXTURE: HIGH GLOSSY

LOWER PORTION & BORDER:

□ TEXTURE: YS20002C

S/S LOGO COL:
 PMS144C / PMS427C

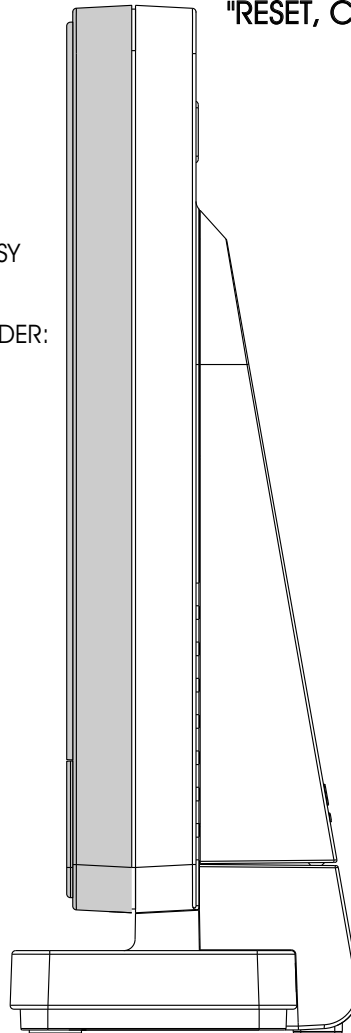


RUBBER FOOT X 2

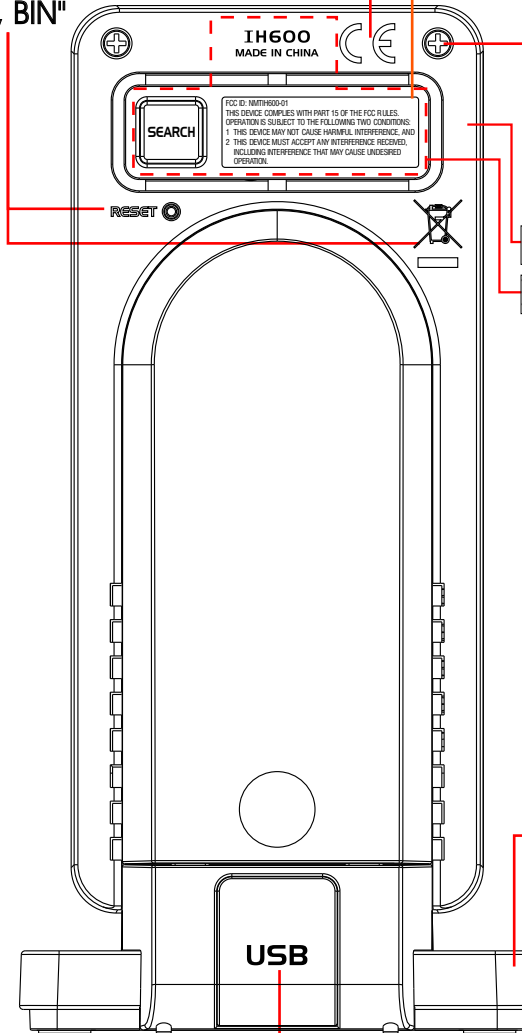
INJ.COL: PROCESS BLACK C

SCREW X 2

COLOR: BLACK



EMBOSS GRAPHIC:
 "RESET, CE, BIN"



FCC LABEL

SIZE: 26mm x 9mm

SCREW X 2

COLOR: BLACK

REAR CAB

INJ.COL: PMS425C
 SPRAY COL: NIL

□ TEXTURE: YS20002C

▨ TEXTURE: GLOSS

S/S COL: PMS429C

SEARCH KEY

INJ.COL: PMS425C
 SPRAY COL: NIL

TEXTURE: GLOSS

S/S COL: PMS429C

BATT. DOOR & RESET KEY

INJ.COL: PMS425C
 SPRAY COL: NIL

TEXTURE: YS20002C

S/S COL: NIL

STAND

INJ.COL: PMS425C
 SPRAY COL: NIL

TEXTURE: YS20002C

S/S COL: NIL

USB RUBBER COVER -

INJ.COL: PMS425C

TEXTURE: MATT.

ENGRAVING TEXT

1 REVISED OUTLOOK OF REAR CAB/ BATT.DOOR/ STAND

2 REVISED USB COVER ARTWORK

IDT IDT Technology Limited

MODEL: IH600

TITLE: COLOR SP.

VERSION:

REV.: 6 DATE: 24DEC07

REMARK: PAGE 1 OF 1

PREPARED BY: VICKY KWONG

FILE:

APPROVED BY

PMGT

MKTR

CU

DATE: