

6

5

4

3

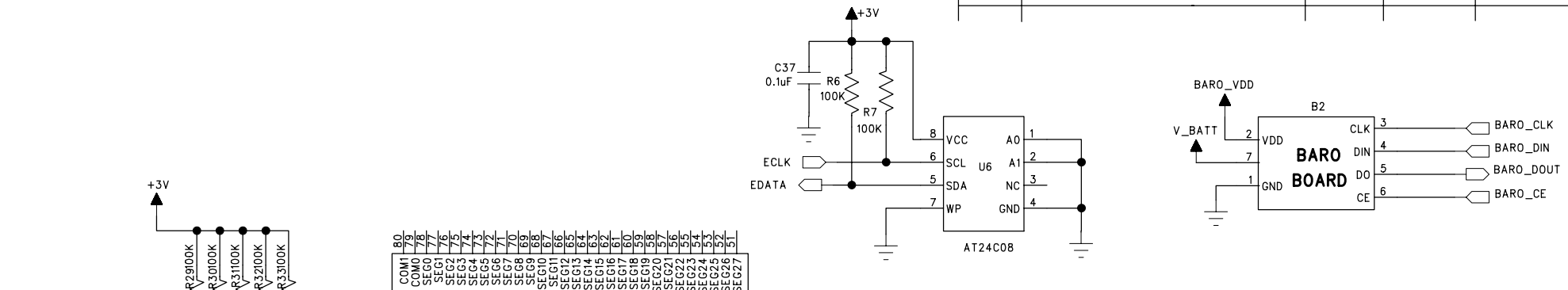
2

1

ISSUE	REVISION	DATE:	MADE BY	APPROVED BY
1.0	FIRST RELEASE FOR PRODUCTION	OCT.08.07	RHPAN	ZPZHONG

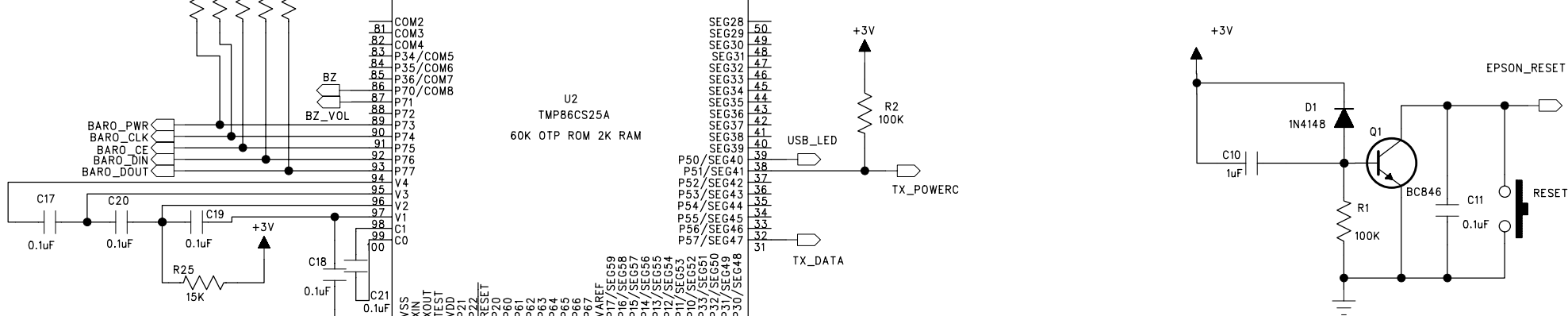
D

D



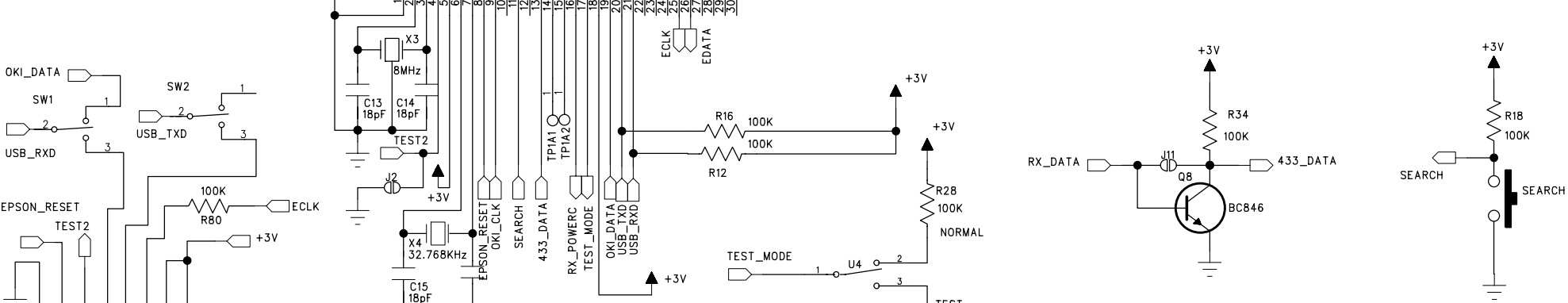
C

C



B

B



A

A

TITLE	SCHEMATIC DIAGRAM		
DOC NO.	LSOXXXX	DIVISION	L C D
MODEL NO.	IH300 / IH600	DRAWN	RHPAN
CAD REF.	IH300 IH600.SCH	CHKD	ZPZHONG
PAGE	1 OF 7	APPD.	ZPZHONG
IDT TECHNOLOGY LTD.			

6

5

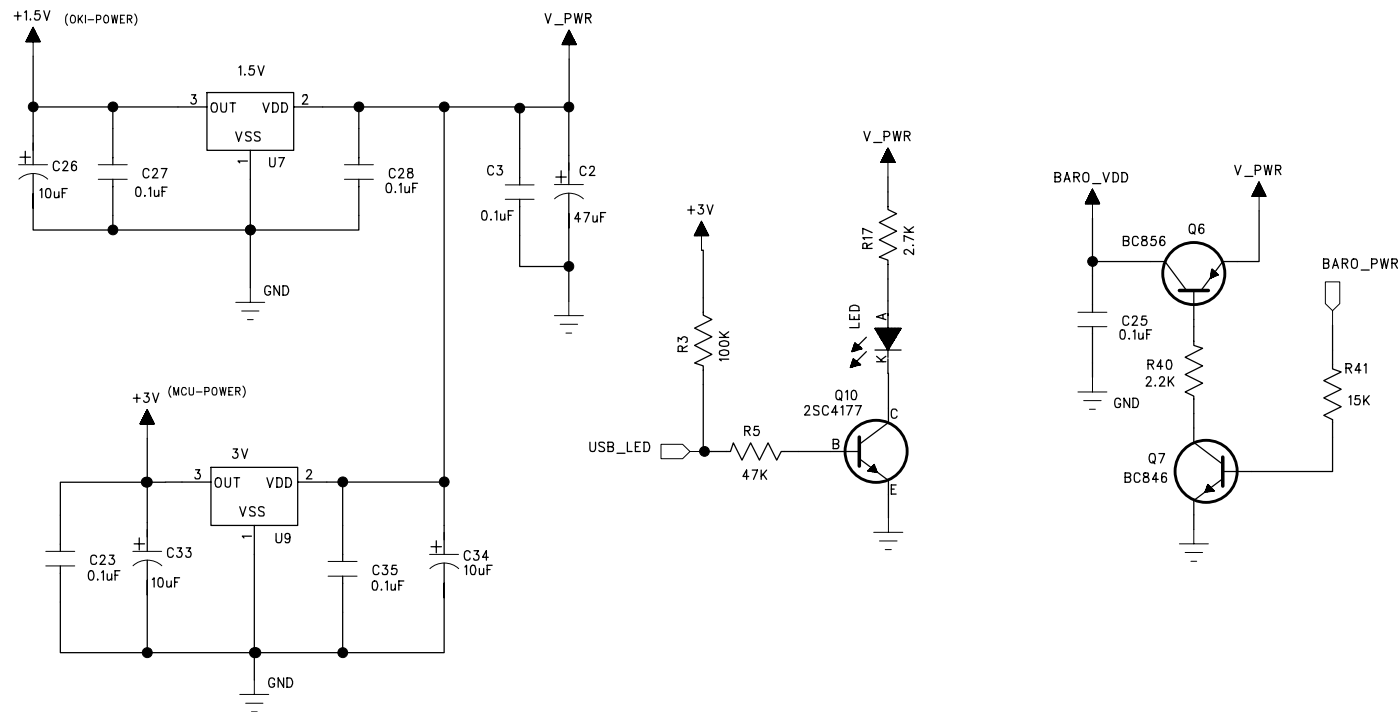
4

3

2

1

ISSUE	REVISION	DATE:	MADE BY	APPROVED BY
1.0	FIRST RELEASE FOR PRODUCTION	APR 13 ,08	RHPAN	ZPZHONG



TITLE		SCHEMATIC DIAGRAM	
DOC NO.	LS0XXXX	DIVISION	L C D
MODEL NO.	IH300 / IH600	DRAWN	RHPAN
CAD REF.	IH300 IH600.SCH	CHKD	ZPZHONG
PAGE	2 OF 7	APPD.	ZPZHONG
IDT TECHNOLOGY LTD.			

6

5

4

3

2

1

ISSUE	REVISION	DATE	MADE BY	APPROVED BY
1.0	FIRST RELEASE FOR PRODUCTION	APR 13 ,08	RHPAN	ZPZHONG

D

D

C

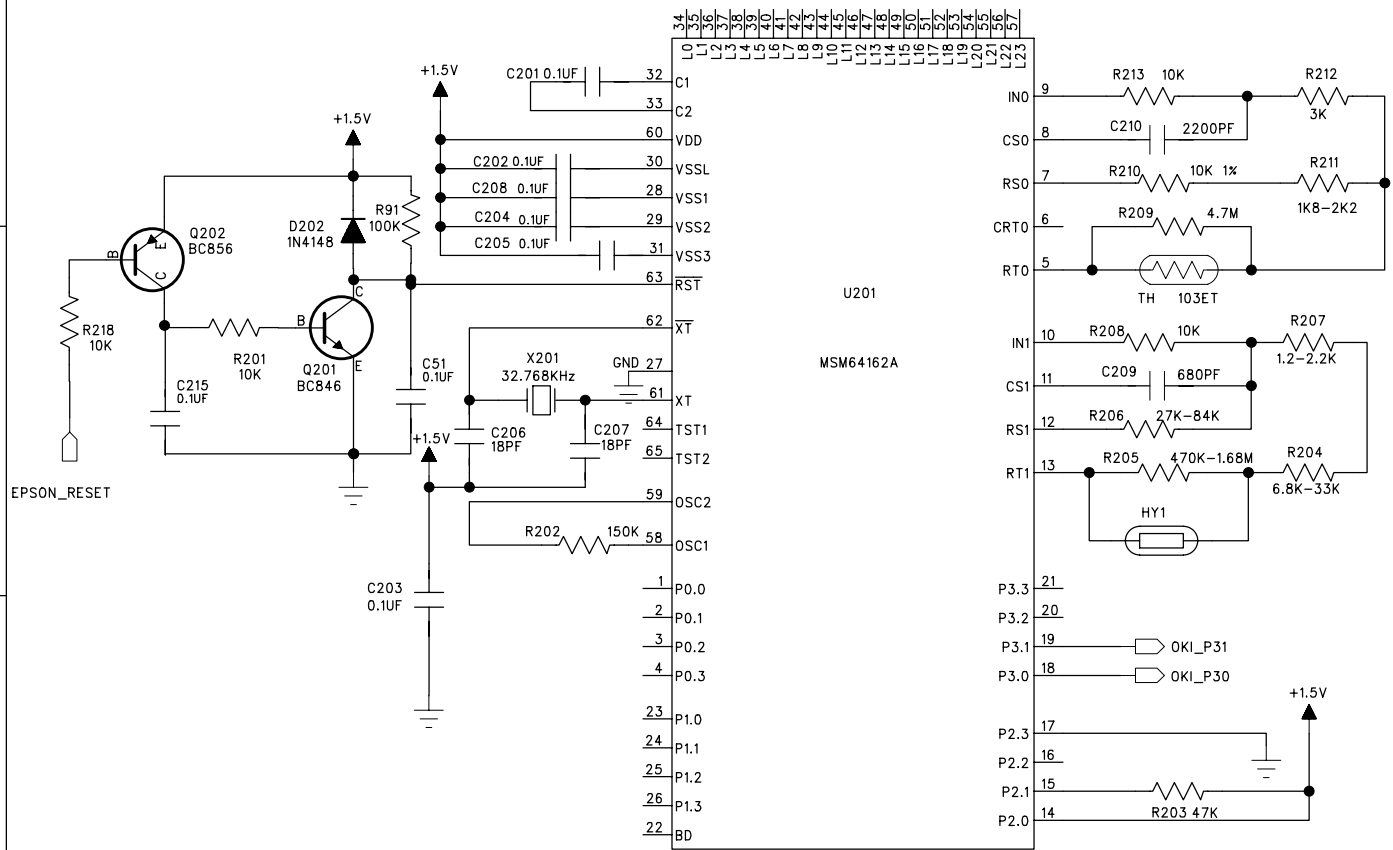
C

B

B

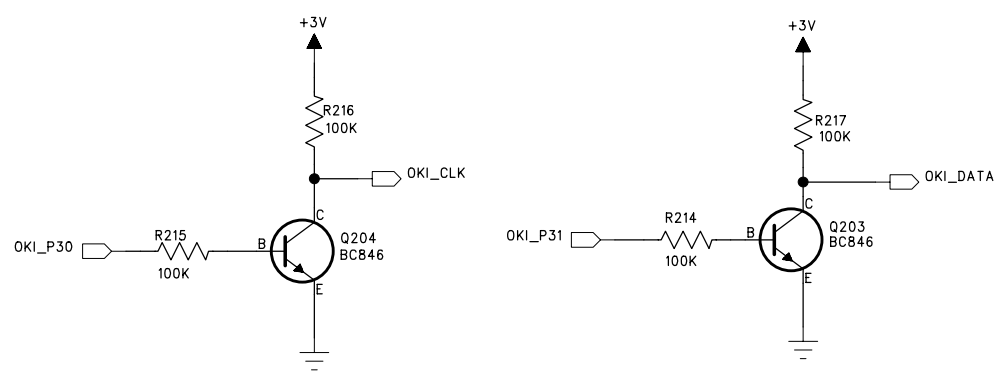
A

A



R211:1.8K

D Group Sensor  
R205: 1.2M  
R206:65K  
R204:27K  
R207:2.2K



TITLE			
DOC NO.	LS0XXXX	DIVISION	L C D
MODEL NO.	IH300 / IH600	DRAWN	RHPAN
CAD REF.	IH300 IH600.SCH	CHKD	ZPZHONG
PAGE	3 OF 7	APPD.	ZPZHONG
IDT TECHNOLOGY LTD.			

6

5

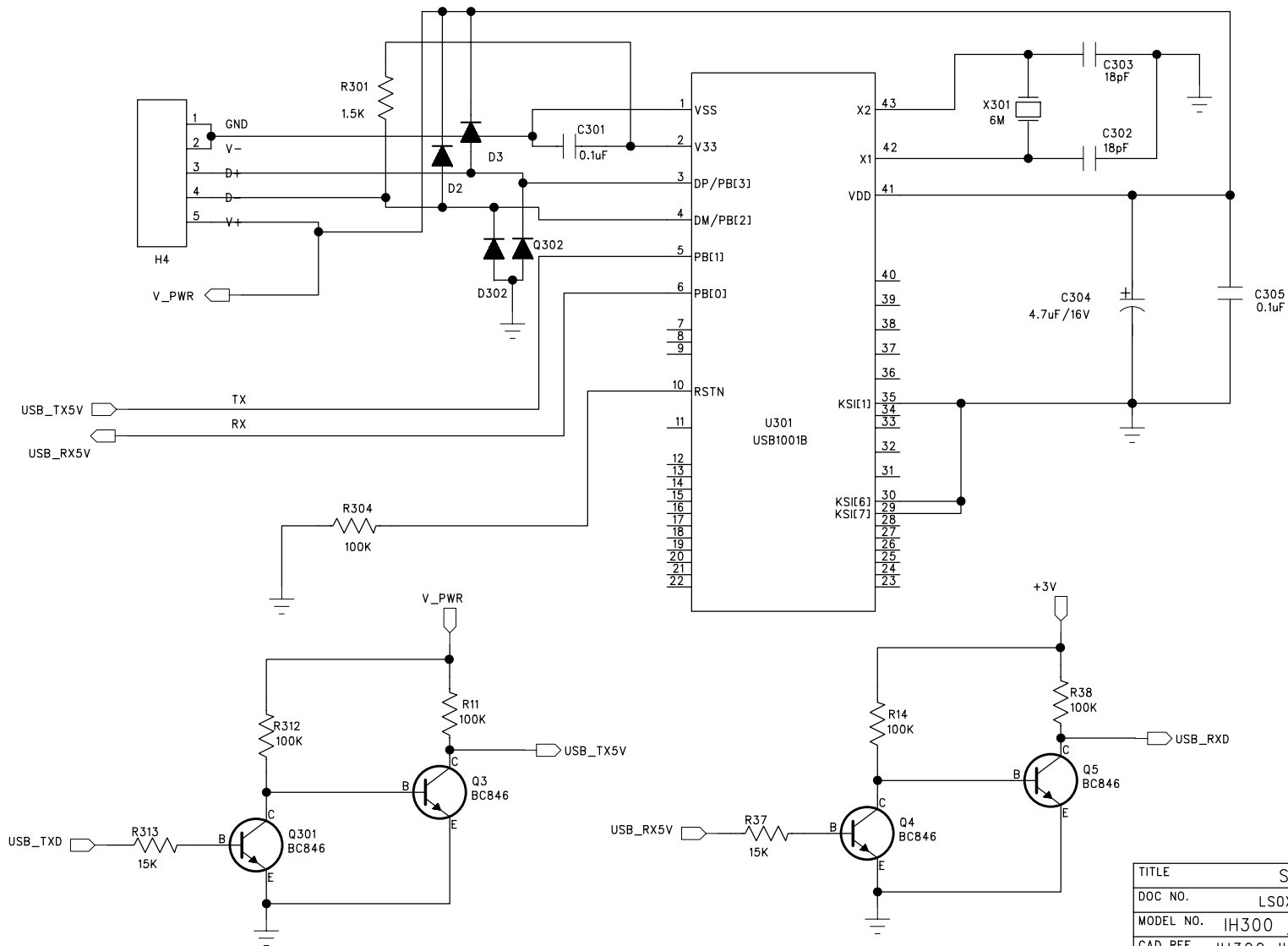
4

3

2

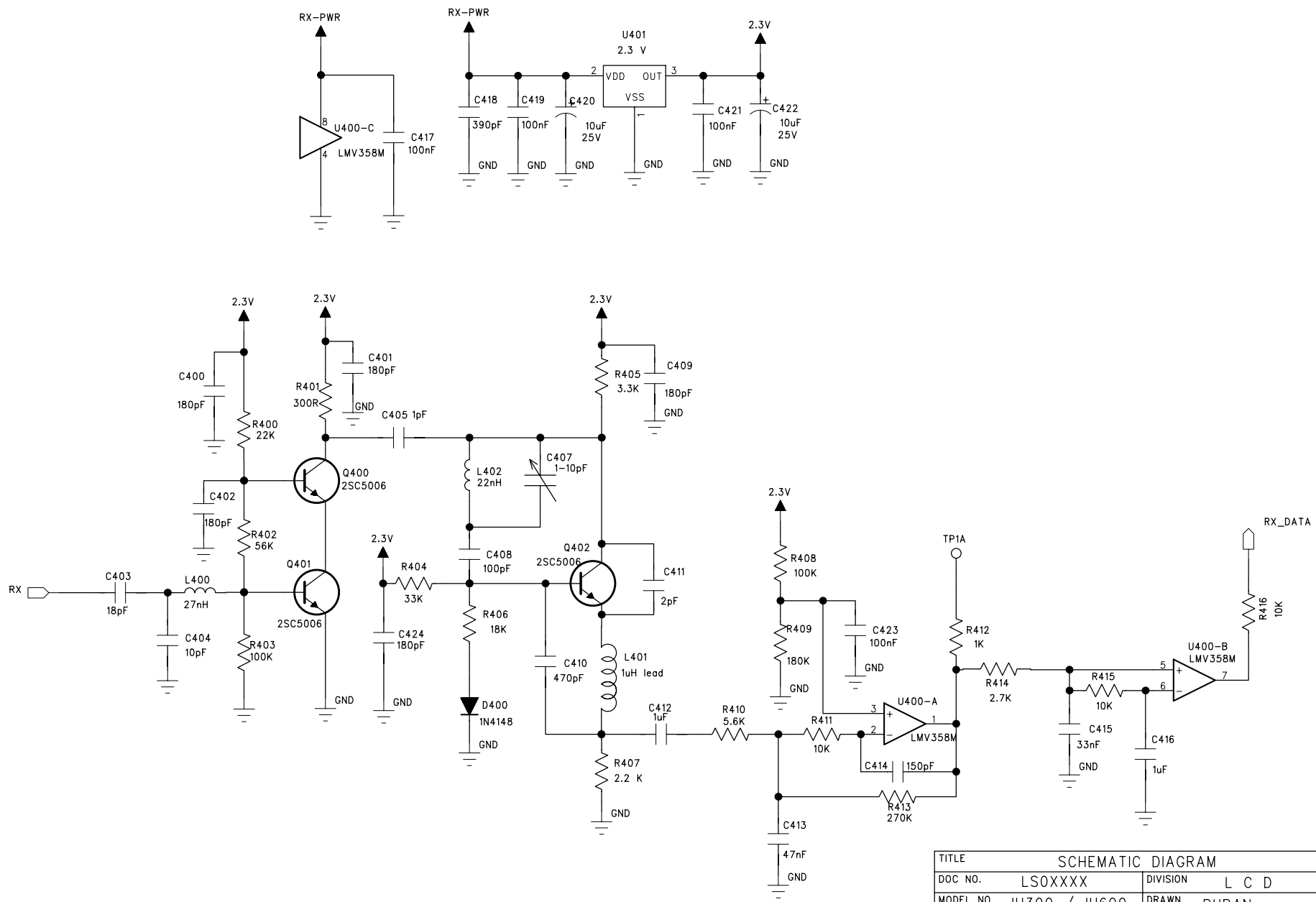
1

ISSUE	REVISION	DATE:	MADE BY	APPROVED BY
1.0	FIRST RELEASE FOR PRODUCTION	APR 13 ,08	RHPAN	ZPZHONG



TITLE	SCHEMATIC DIAGRAM		
DOC NO.	LS0XXXX	DIVISION	L C D
MODEL NO.	IH300 / IH600	DRAWN	RHPAN
CAD REF.	IH300 IH600.SCH	CHKD	ZPZHONG
PAGE	4 OF 7	APPD.	ZPZHONG
IDT TECHNOLOGY LTD.			

ISSUE	REVISION	DATE:	MADE BY	APPROVED BY
1.0	FIRST RELEASE FOR PRODUCTION	APR 13 ,08	RHPAN	ZPZHONG



TITLE			
DOC NO.	LS0XXXX	DIVISION	L C D
MODEL NO.	IH300 / IH600	DRAWN	RHPAN
CAD REF.	IH300 IH600.SCH	CHKD	ZPZHONG
PAGE	5 OF 7	APPD.	ZPZHONG
IDT TECHNOLOGY LTD.			

6

5

4

3

2

1

ISSUE	REVISION	DATE	MADE BY	APPROVED BY
1.0	FIRST RELEASE FOR PRODUCTION	APR 13 ,08	RHPAN	ZPZHONG

D

D

C

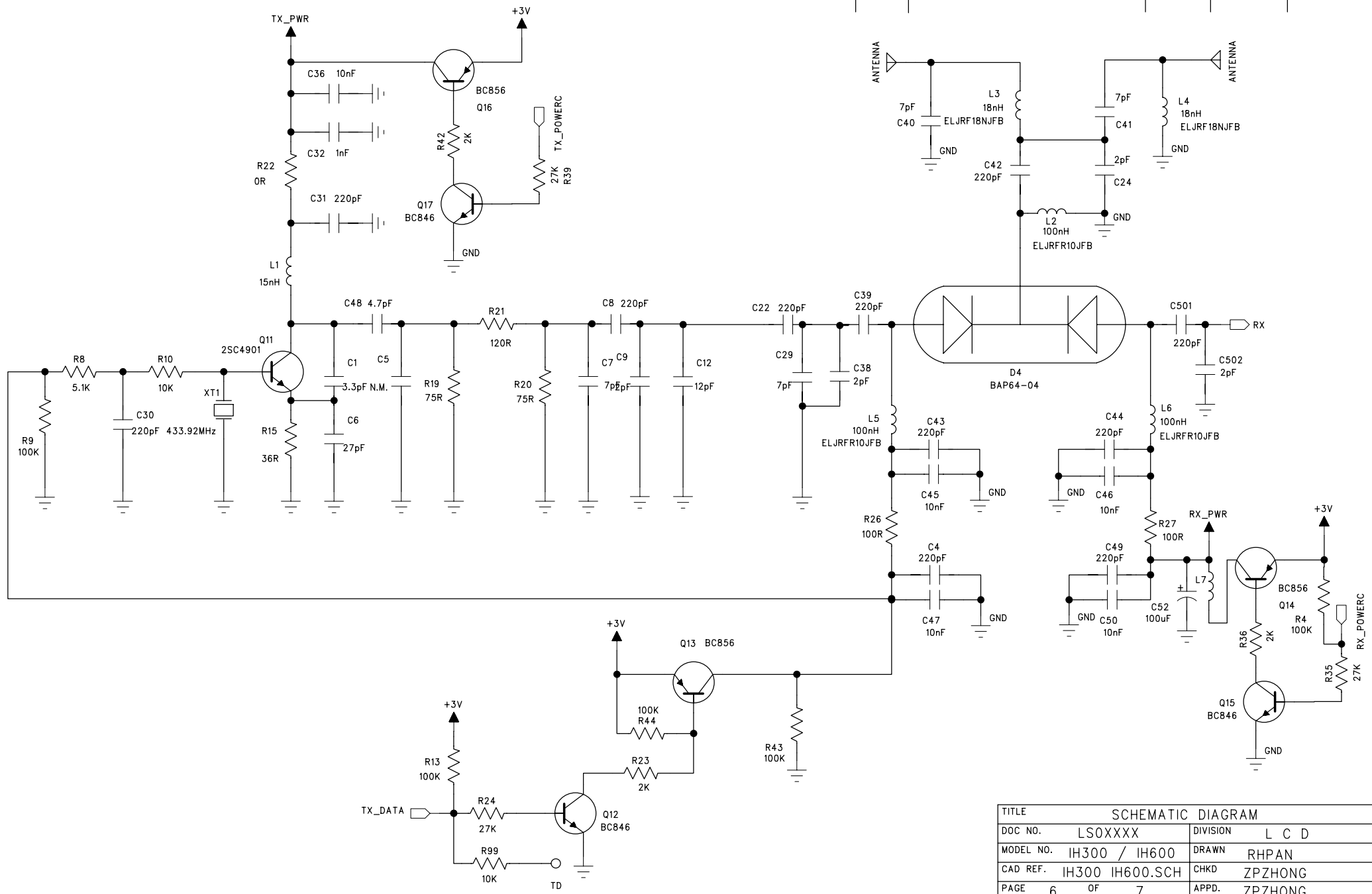
C

B

B

A

A



TITLE				SCHEMATIC DIAGRAM			
DOC NO.	LS0XXXX	DIVISION	L C D	DRAWN	RHPAN	CHKD	ZPZHONG
MODEL NO.	IH300 / IH600	APPD.	ZPZHONG	PAGE	6	OF	7
PAGE				IDT TECHNOLOGY LTD.			

6

5

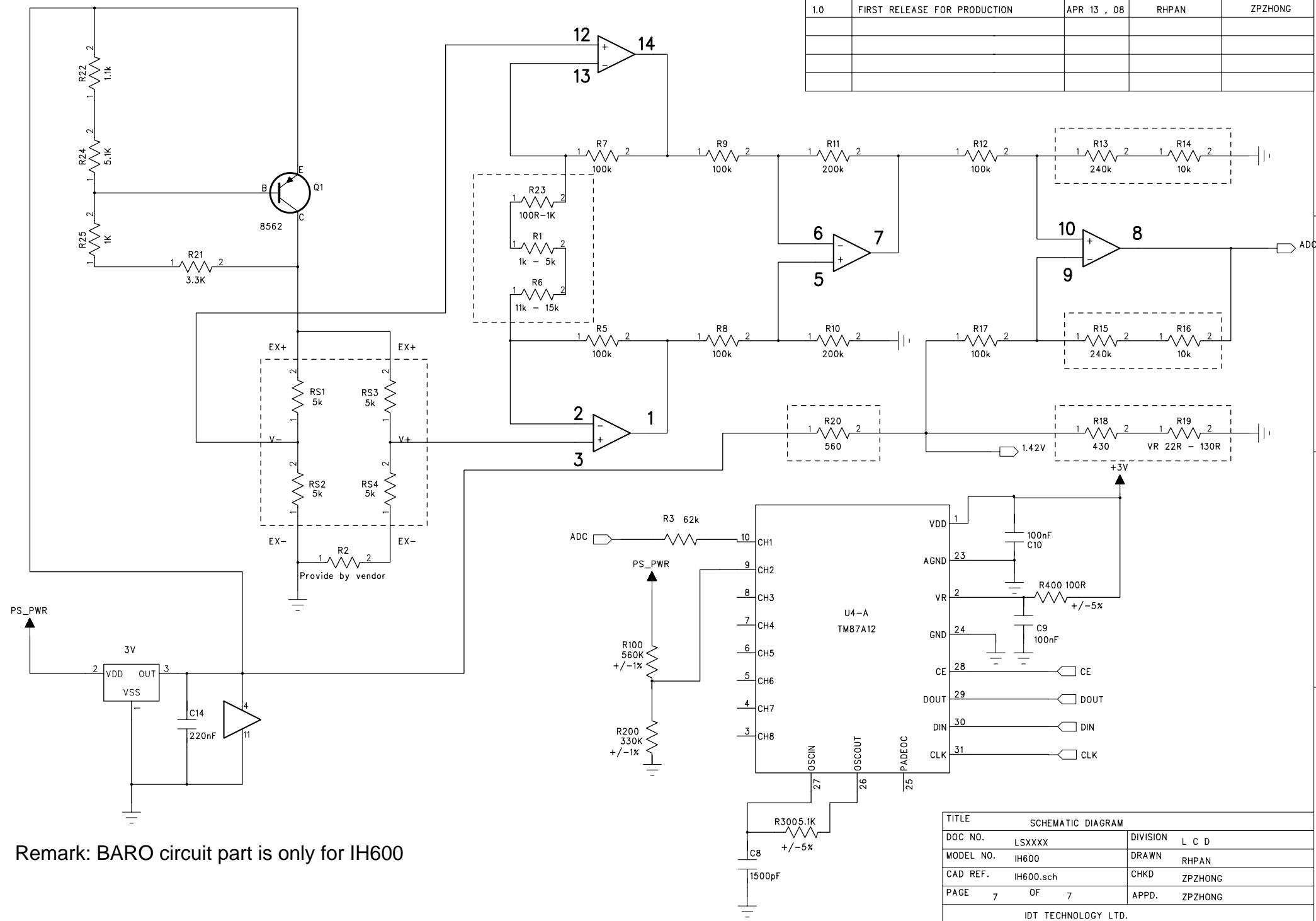
4

3

2

1

ISSUE	REVISION	DATE:	MADE BY	APPROVED BY
1.0	FIRST RELEASE FOR PRODUCTION	APR 13 , 08	RHPAN	ZPZHONG



Remark: BARO circuit part is only for IH600

TITLE		SCHEMATIC DIAGRAM	
DOC NO.	LSXXXX	DIVISION	L C D
MODEL NO.	IH600	DRAWN	RHPAN
CAD REF.	IH600.sch	CHKD	ZPZHONG
PAGE	7 OF 7	APPD.	ZPZHONG
IDT TECHNOLOGY LTD.			