

## INTERTEK TESTING SERVICES

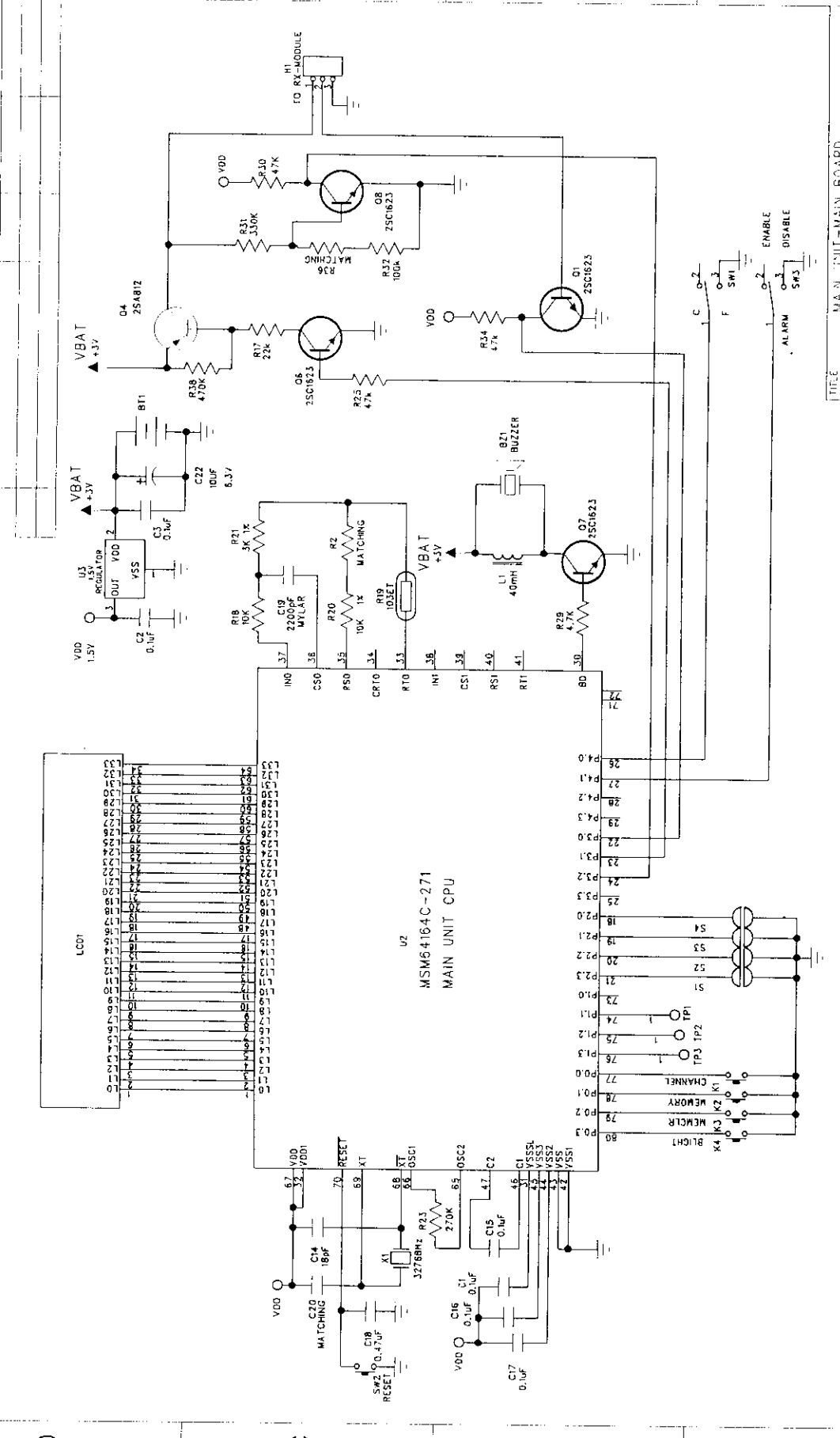
---

### 6.2 Receiver Schematic

Figure 6.2 Superregenerative Receiver Schematic

1  
2  
3  
4  
5  
6

DESIGN	SECTION	DATE	CREATED BY
003	RELEASE FOR EPO	03-25-98	Y. SHAN
004	RELEASE FOR MPM	03-25-98	Y. SHAN
005	RELEASE FOR MPM	03-25-98	Y. SHAN

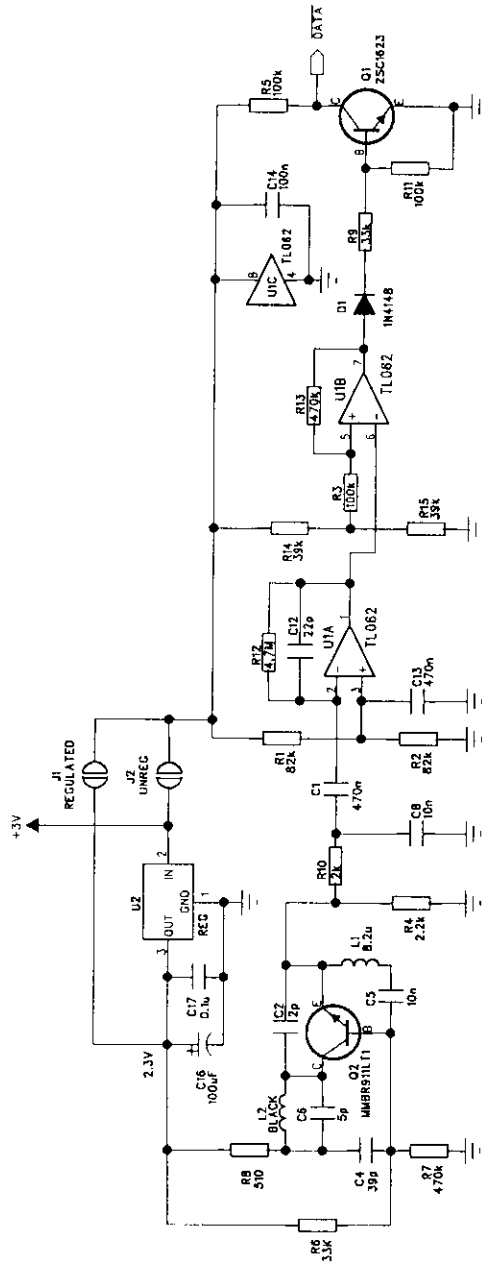


TITLE	MAIN UNIT-MAIN BOARD		
DESIGN	LS00XXX	DIVISION	L C D
MODEL NO.	JTR168	DRAWN	K.F.CHAN
CAD REF.	JTR168.SCH	CHKD	BOB CHENG
PAGE	OF	1	APPS
		BOB CHENG	
ID TECHNOLOGY LTD.			

REMARK: S1, S2, TP1, TP2, TP3 ARE NO USE.  
S3, S4 ARE USED IN TEST MODE.

6 5 4 3 2 1

ISSUE	REVISION	DATE	MADE BY	APPROVED BY
1.0	NEW RELEASE FOR PRODUCTION	16/09/97	DENNIS CHENG	TONY KWOK



UHF RECEIVER

TITLE			
DOC NO.	LS00XXX	DIVISION	L C D
MODEL NO.	JTR168	DRAWN	DENNIS CHENG
CAO REF.	UHFRX100.SCH	CHKD	TONY KWOK
PAGE	2	OF	2
APPD.		TONY KWOK	
IDT TECHNOLOGY LTD.			