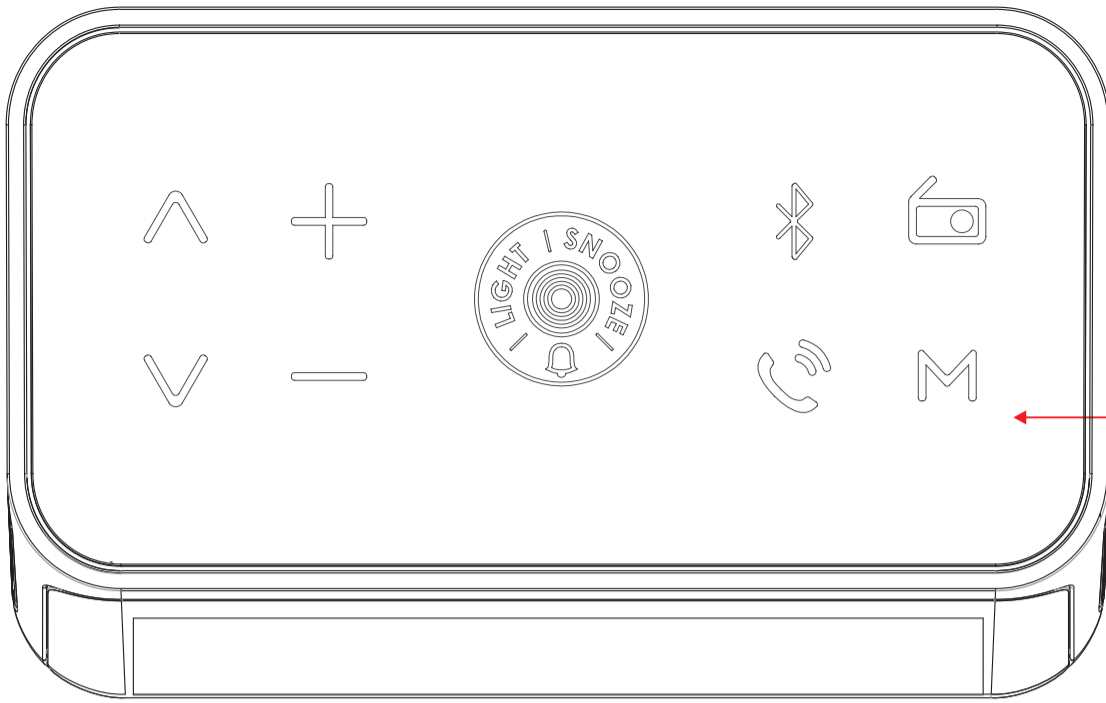


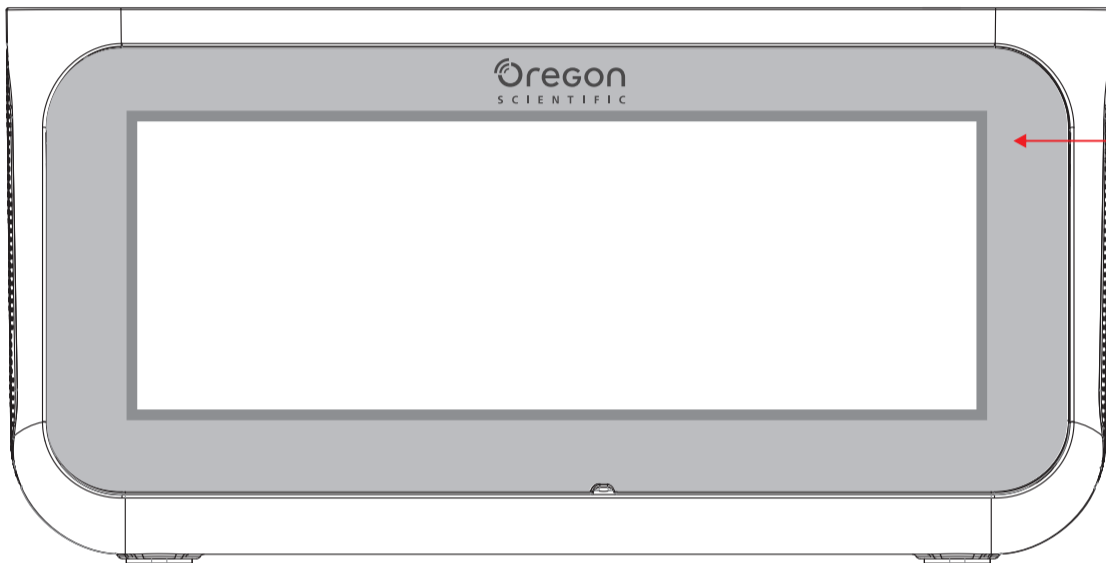
MODEL: CIR100
TITLE: COLOR SP.
VERSION:
REV.: 01      DATE: 18JUL2016
REMARK: PAGE 1 OF 1
PREPARED BY: VALENTINO CHOW
FILE:
APPROVED BY
PMGT <input type="checkbox"/>
MKTR <input type="checkbox"/>
CU <input type="checkbox"/>
DATE:

**A3**

**IDT** IDT Technology Limited

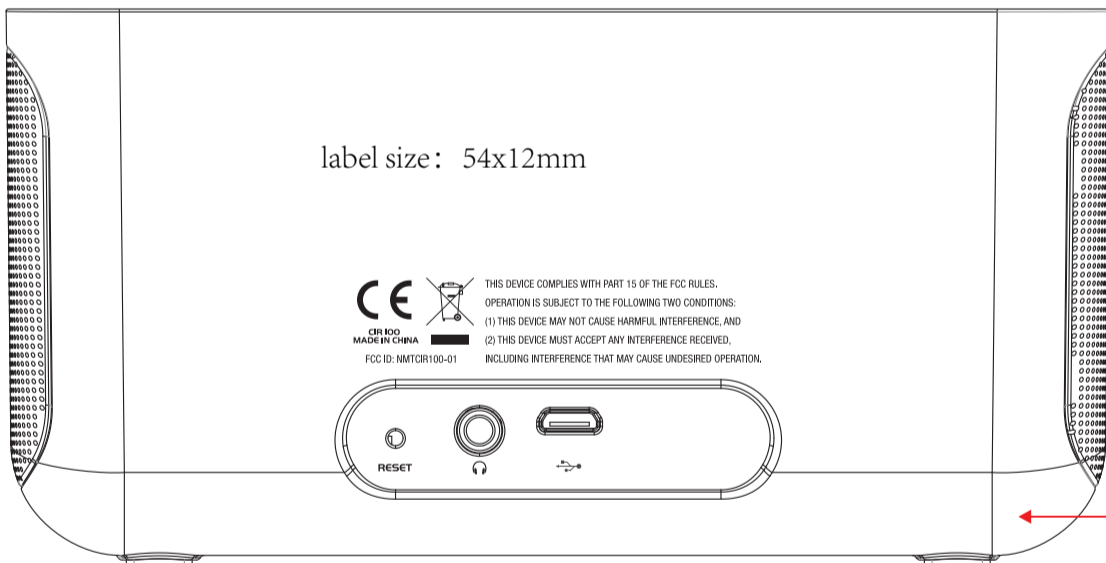


**RUBBER COVER TOP-**  
 INJ. COL: COOL GRAY 3C  
 SPRAY COL: NIL  
 S/S COL: NIL  
 TEXTURE: MATT.



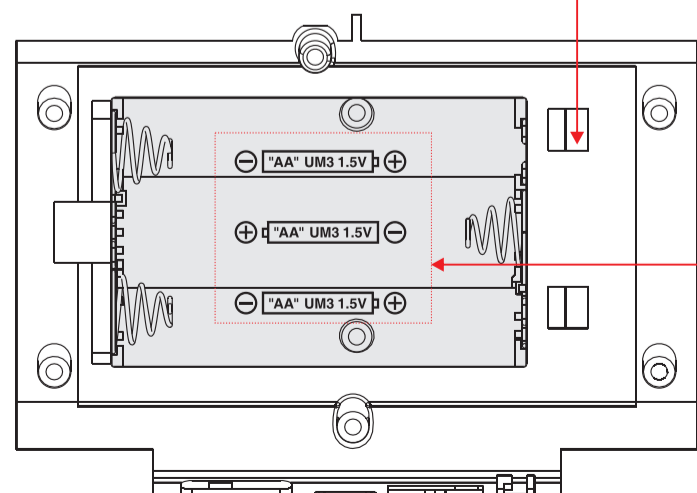
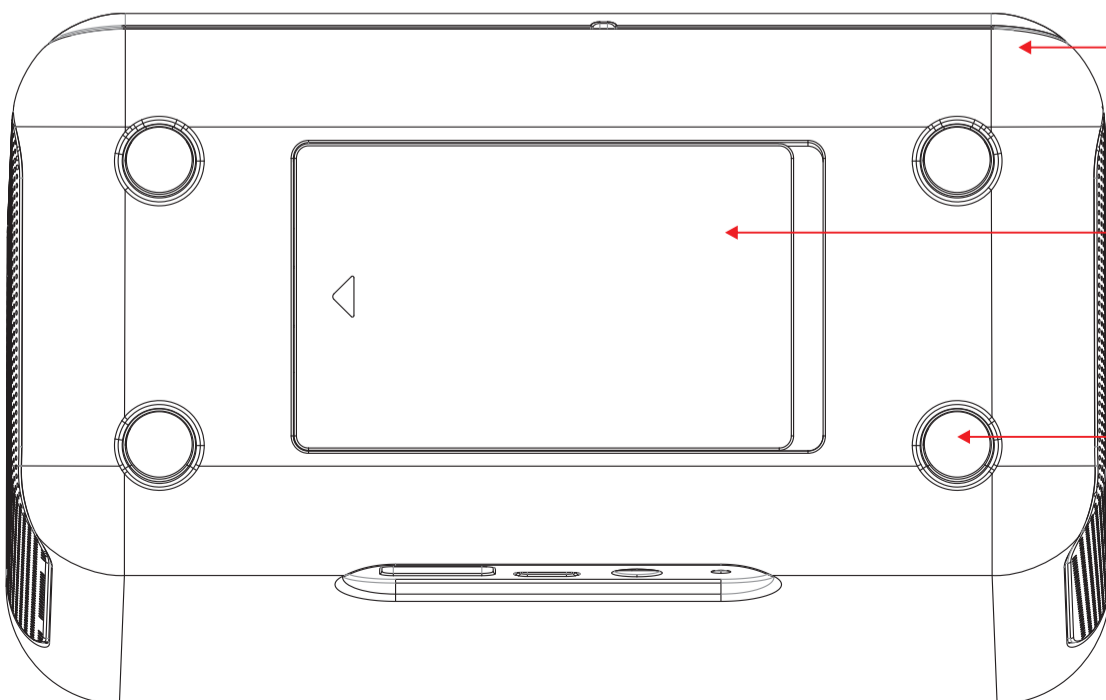
**LENS-**  
 INJ. COL: CLEAR  
 S/S COL ON LENS BACK:  
 LOGO: PMS8404C  
 VA BORDER: COOL GRAY 5C  
 SPRAY COL ON LENS BACK: COOL GRAY 3C  
 TEXTURE: HIGH GLOSSY

**SPEAKER COVER-**  
 COLOR: Aluminum  
 SPRAY COL: PMS877C



**OUT CAB-**  
 INJ. COL: CW-09 (WHITE)  
 SPRAY COL: NIL  
 S/S COL: COOL GRAY 9C  
 TEXTURE: HIGH GLOSSY

**BATT. DOOR AND REAR CAB-**  
 INJ. COL: CW-09 (WHITE)  
 SPRAY COL: NIL  
 S/S COL: NIL  
 TEXTURE: HIGH GLOSSY  
 GLOSSY



**EMBOSS**

**RUBBER FOOT X 4-**  
 COL: CW-09 (WHITE)  
 TEXTURE: HIGH GLOSSY