

6

5

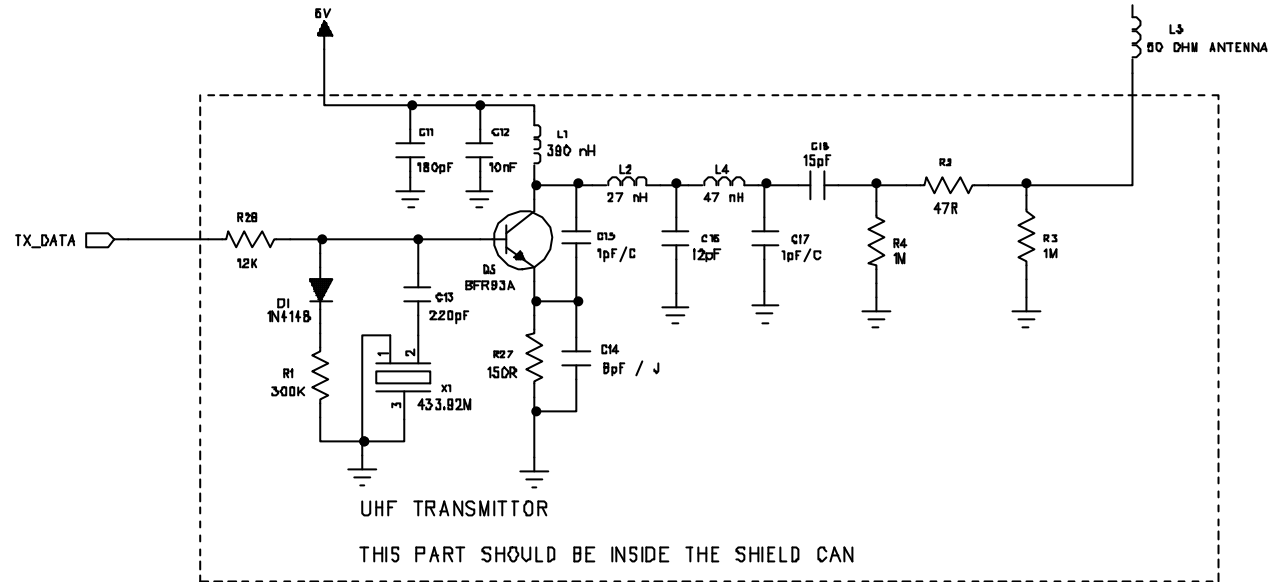
4

3

2

1

ISSUE	REVISION	DATE:	MADE BY	APPROVED BY
1.0	FIRST RELEASE FOR PRODUCTION	AUG 20 ,04	SHY LU	RAYMOND



TITLE			
SCHEMATIC DIAGRAM			
DWG NO	LS00	DIVISION	LCD
MODEL NO.	TXDR102	DRAWN	SHY LU
CAD REF.	TXDR102-TX.SCH	CHKD	RAYMOND WONG
PAGE	1	OF	1
		APPD	RAYMOND WONG
IDT TECHNOLOGY LTD.			

6

5

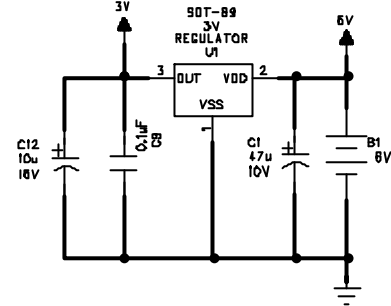
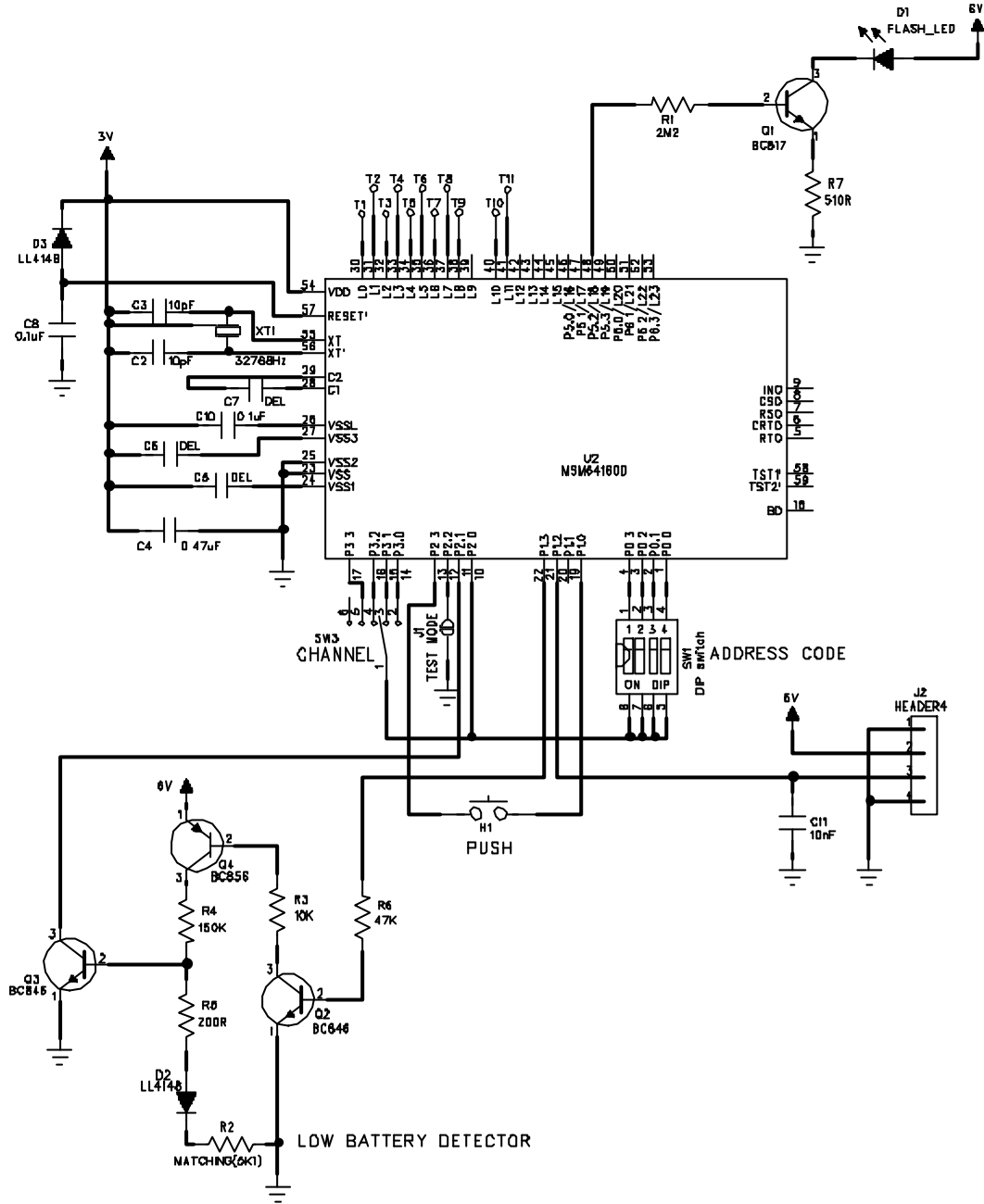
4

3

2

1

ISSUE	REVISION	DATE	MADE BY	APPROVED BY
1 0	FIRST RELEASE FOR PRODUCTION	OCT 27,04	SHY LU	RAYMOND



TITLE			
SCHEMATIC DIAGRAM			
DOC NO.	LS00	DIVISION	L C D
MODEL NO	BXDR102	DRAWN	SHY LU
CAD REF	BXDR102.SCH	CHKD	RAYMOND
PAGE	1 OF 1	APPD.	RAYMOND
IDT TECHNOLOGY LTD.			