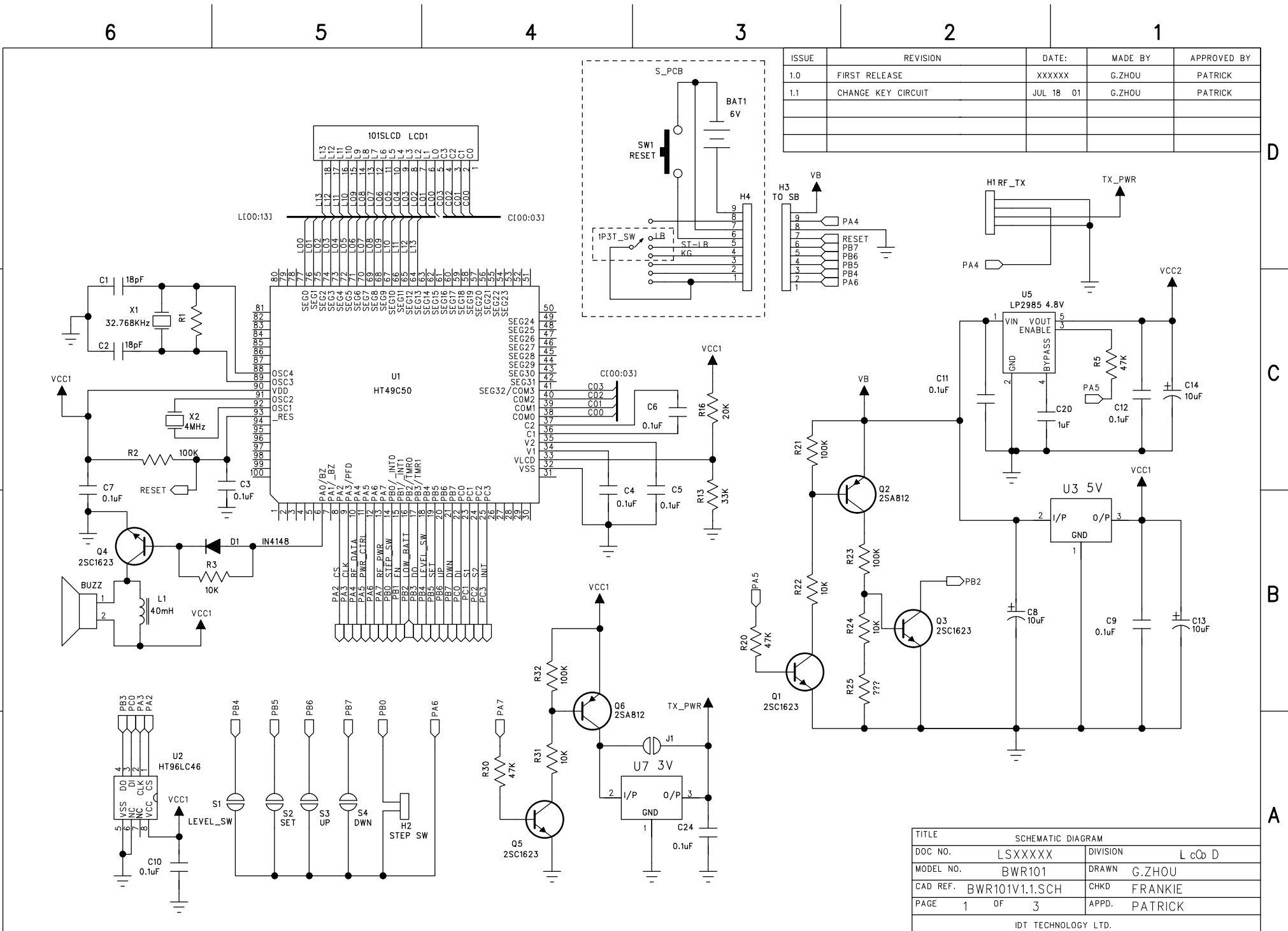
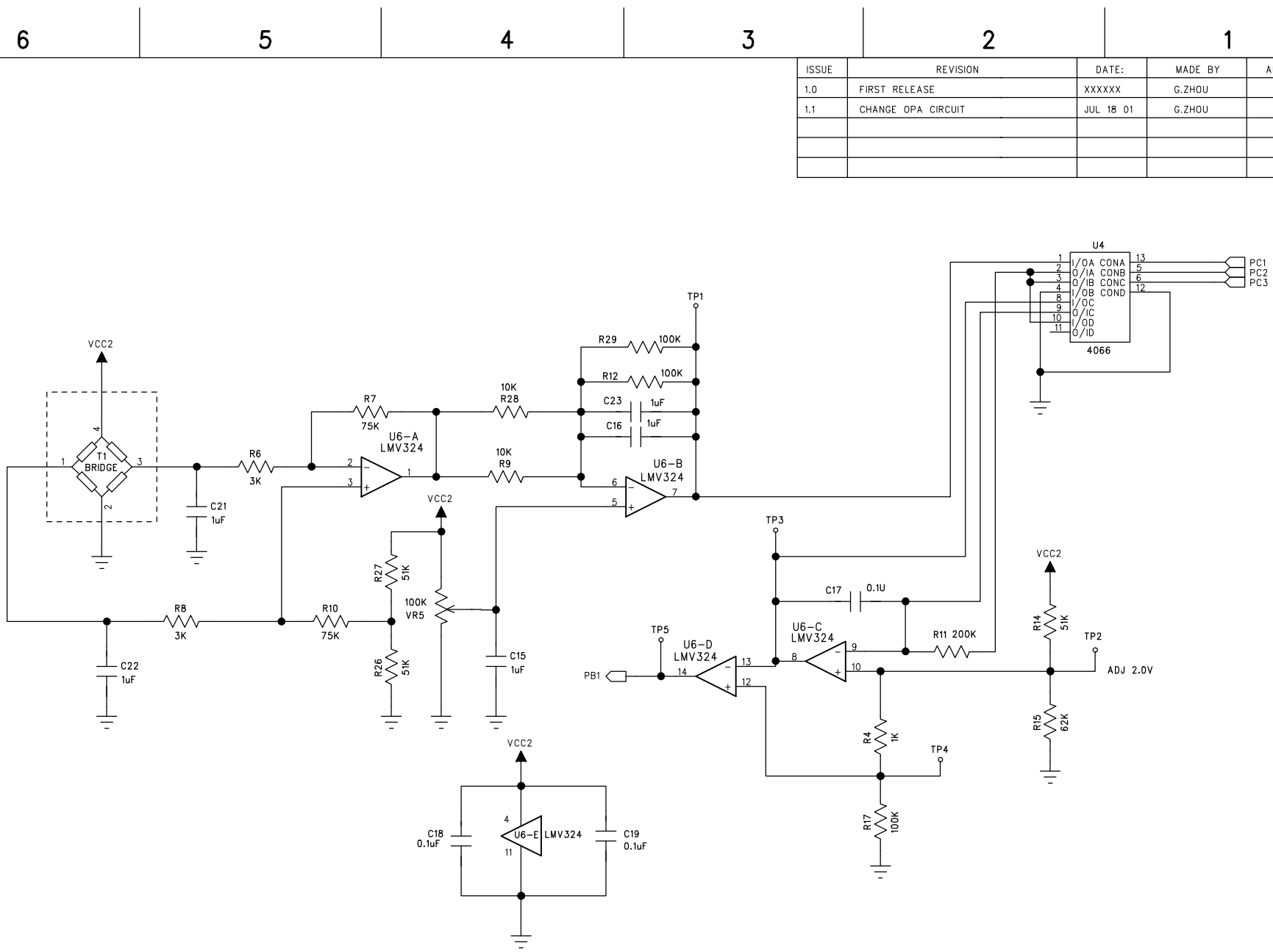


ISSUE	REVISION	DATE:	MADE BY	APPROVED BY
1.0	FIRST RELEASE	XXXXXX	G.ZHOU	PATRICK
1.1	CHANGE KEY CIRCUIT	JUL 18 01	G.ZHOU	PATRICK



TITLE		SCHEMATIC DIAGRAM	
DOC NO.	LSXXXXX	DIVISION	L CD D
MODEL NO.	BWR101	DRAWN	G.ZHOU
CAD REF.	BWR101V1.1.SCH	CHKD	FRANKIE
PAGE	1 OF 3	APPD.	PATRICK
IDT TECHNOLOGY LTD.			

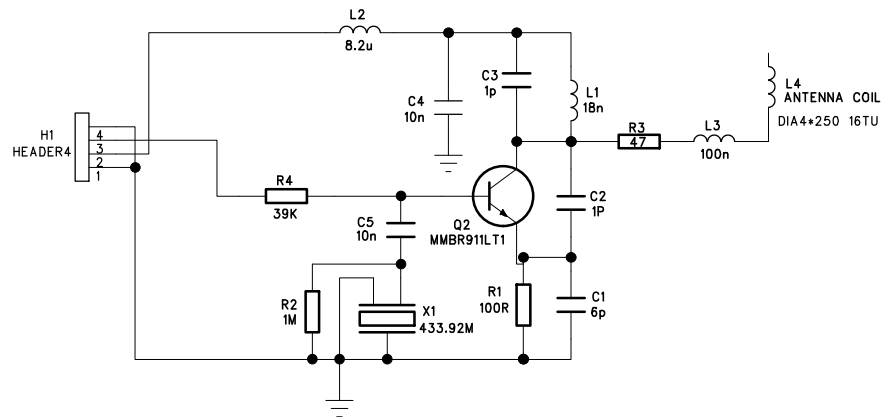
ISSUE	REVISION	DATE:	MADE BY	APPROVED BY
1.0	FIRST RELEASE	XXXXXX	G.ZHOU	PATRICK
1.1	CHANGE OPA CIRCUIT	JUL 18 01	G.ZHOU	PATRICK



TITLE			
SCHEMATIC DIAGRAM			
DOC NO.	LSXXXXX	DIVISION	L C D
MODEL NO.	BWR101	DRAWN	G.Zhou
CAD REF.	BWR101V1.1.SCH	CHKD	FRANKIE
PAGE	2 OF 3	APPD.	PATRICK

IDT TECHNOLOGY LTD.

ISSUE	REVISION	DATE:	MADE BY	APPROVED BY
1.0	FIRST RELEASE FOR PRODUCTION	SEP 19 97	DENNIS	B0B
2.0	REL FOR R1,R2	JUN 06 98	Y.L.SUN	TONY KWOK
3.0	CHANGE IC TO SMC6002	APR 28 99	Y SUN	K.S.WONG



UHF TRANSMITTER

TITLE		SCHEMATIC DIAGRAM	
DOC NO.	LS00282	DIVISION	L C D
MODEL NO.	THR128	DRAWN	Y SUN
CAD REF.	THR128LS.SCH	CHKD	CHEN WU
PAGE	3 OF 3	APPD.	K.S.WONG
IDT TECHNOLOGY LTD.			