

**Block diagram of BWR101 and BWR102 system.**

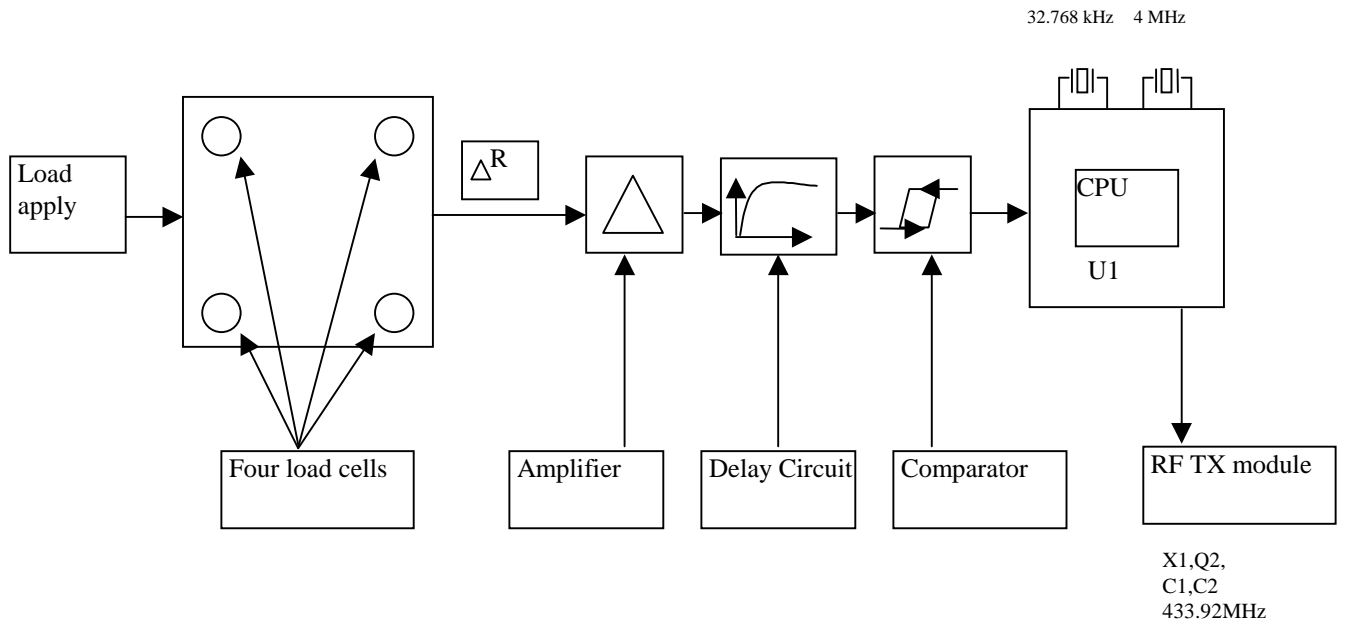


Figure 1. BWR101 and BWR102 load measurement