

6

5

4

3

2

1

ISSUE	REVISION	DATE:	MADE BY	APPROVED BY
I.0	FIRST RELEASE VERSION	JUN 5.99	K.F.CHAN	MIKE SZE

D

D

C

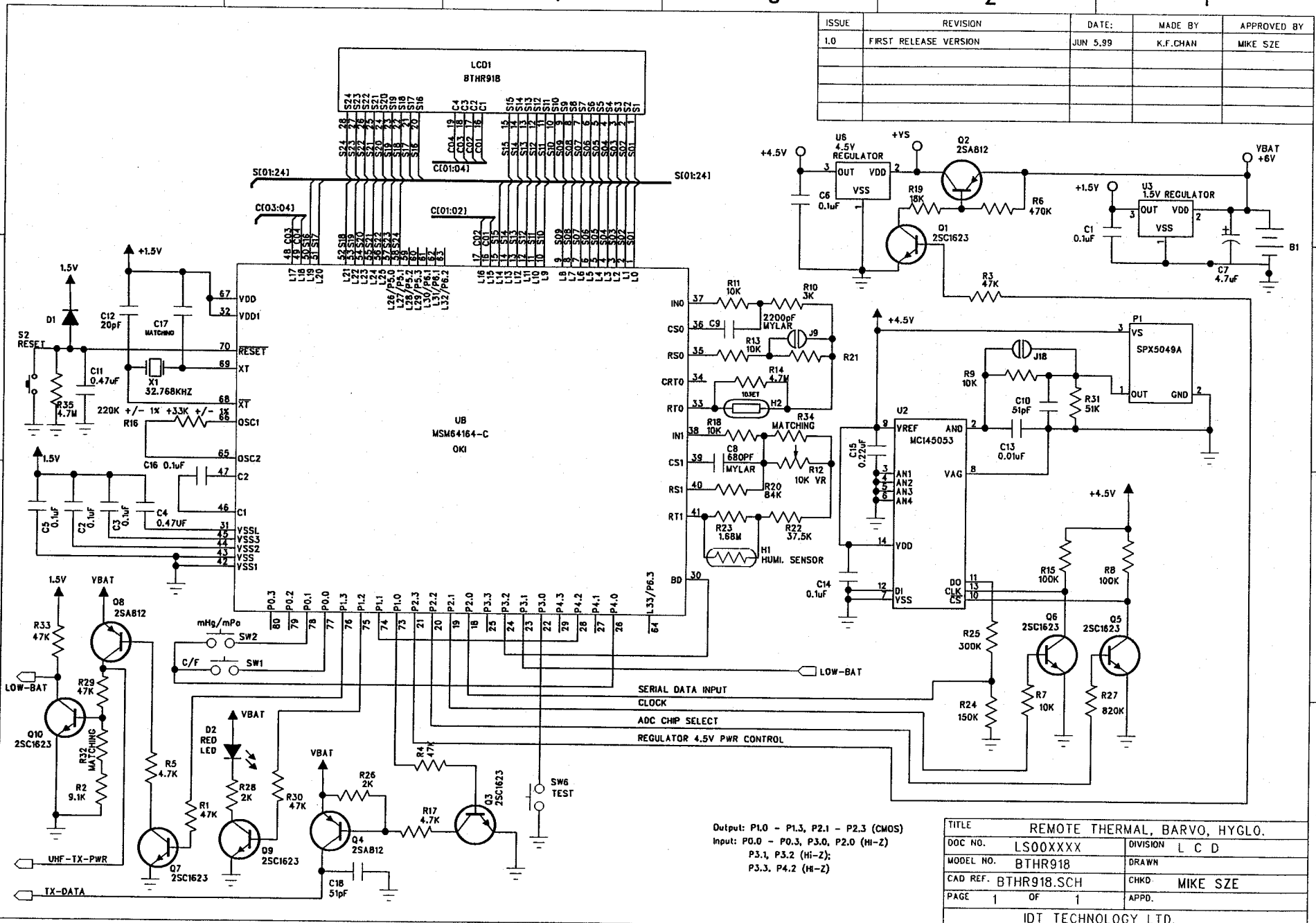
C

B

B

A

A



Output: P1.0 - P1.3, P2.1 - P2.3 (CMOS)
 Input: P0.0 - P0.3, P3.0, P2.0 (HI-Z)
 P3.1, P3.2 (HI-Z);
 P3.3, P4.2 (HI-Z)

TITLE		REMOTE THERMAL, BARVO, HYGLO.	
DOC NO.	LS00XXXX	DIVISION L C D	
MODEL NO.	BTHR918	DRAWN	
CAD REF.	BTHR918.SCH	CHKD	MIKE SZE
PAGE	1 OF 1	APPD.	
IDT TECHNOLOGY LTD.			

6

5

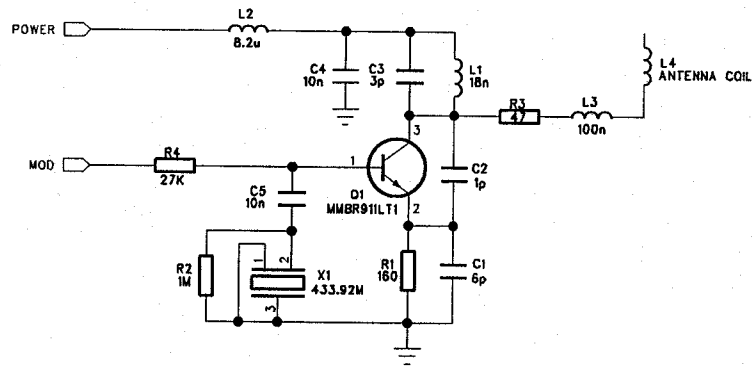
4

3

2

1

ISSUE	REVISION	DATE:	MADE BY	APPROVED BY
1.0	FIRST RELEASE FOR PRODUCTION	20/08/97	DENNIS CHENG	TONY KWOK



UHF TRANSMITTER

TITLE		SCHEMATIC DIAGRAM	
DOC NO.	LS00282	DIVISION	L C D
MODEL NO.	BTHR918	DRAWN	DENNIS CHENG
CAD REF.	UHFTX100.SCH	CHKD	TONY KWOK
PAGE	2 OF 2	APPD.	TONY KWOK
IDT TECHNOLOGY LTD.			