

ISSUE	REVISION	DATE:	MADE BY	APPROVED BY
1.0	FIRST RELEASE FOR PRODUCTION	SEP/19/00	Y.SUN	K.S.WONG

6 5 4 3 2 1

D

D

C

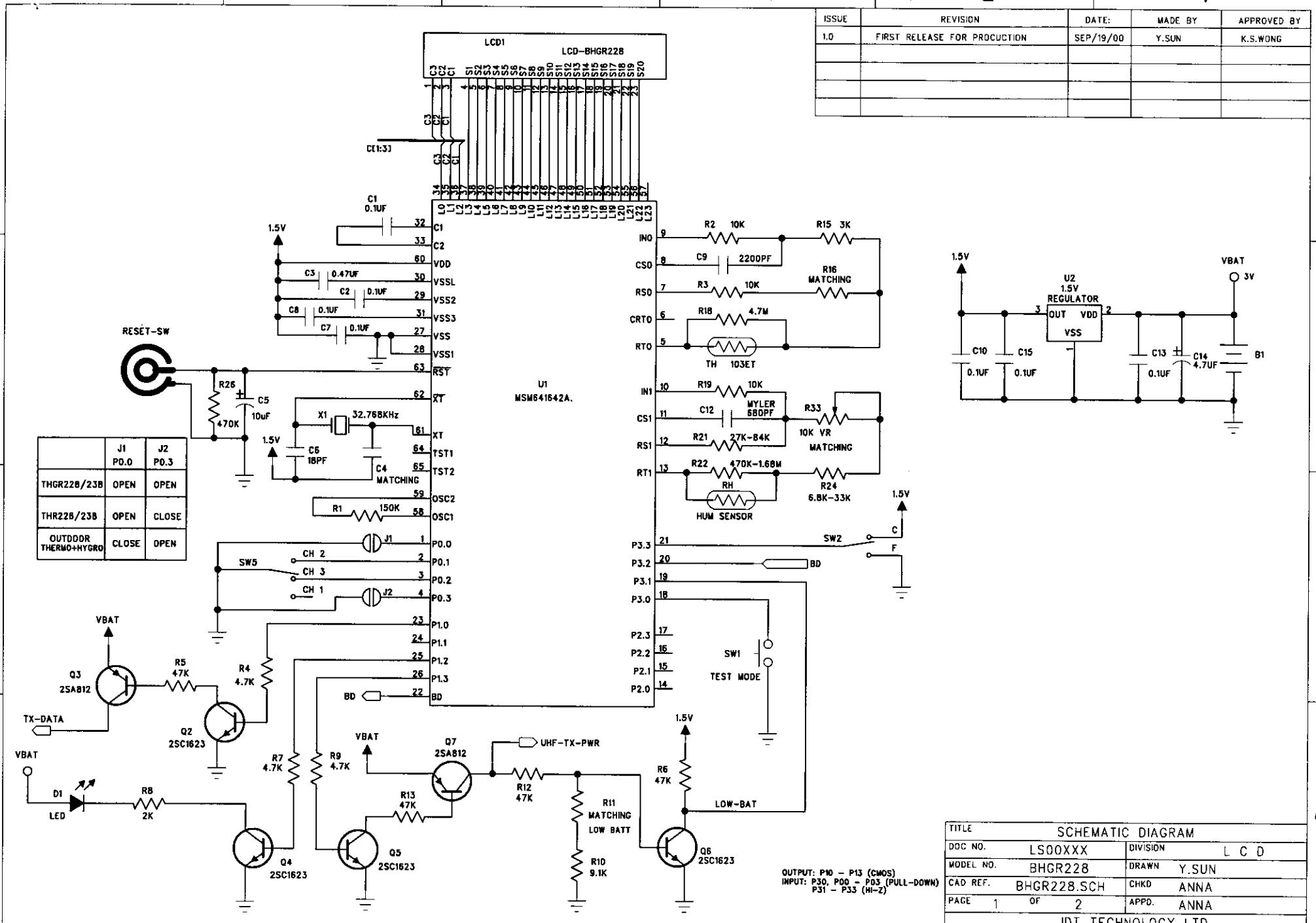
C

B

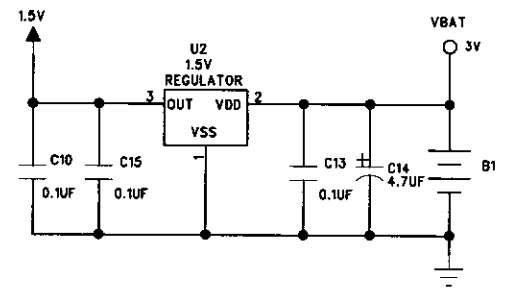
B

A

A



	J1 P0.0	J2 P0.3
THGR228/23B	OPEN	OPEN
THR228/23B	OPEN	CLOSE
OUTDOOR THERMO+HYGRO	CLOSE	OPEN



OUTPUT: P10 - P13 (CMOS)
 INPUT: P30, P00 - P03 (PULL-DOWN)
 P31 - P33 (HI-Z)

TITLE			
DOC NO.	LS00XXX	DIVISION	L C D
MODEL NO.	BHGR228	DRAWN	Y.SUN
CAD REF.	BHGR228.SCH	CHKD	ANNA
PAGE	1	OF	2
		APPD.	ANNA
IDT TECHNOLOGY LTD.			

6

5

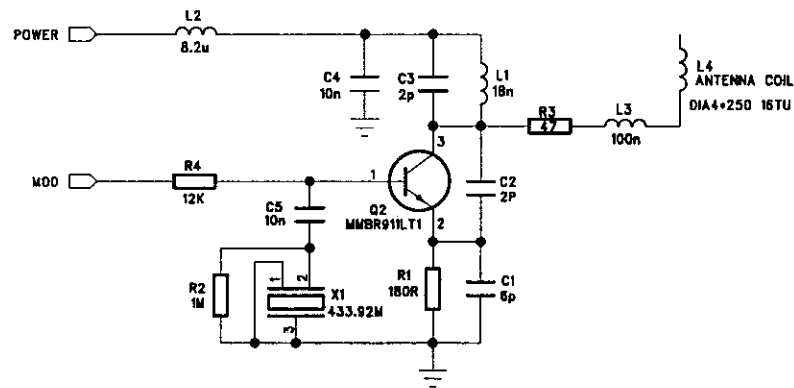
4

3

2

1

ISSUE	REVISION	DATE:	MADE BY	APPROVED BY
1.0	FIRST RELEASE FOR PRODUCTION	SEP/19/00	Y.SUN	K.S.WONG



UHF TRANSMITTER

TITLE		SCHEMATIC DIAGRAM	
DOC NO.	LS00XXX	DIVISION	L C D
MODEL NO.	BHGR228	DRAWN	Y.SUN
CAD REF.	BHGR228R.SCH	CHKD	ANNA
PAGE	2 OF 2	APPD.	ANNA
IDT TECHNOLOGY LTD.			