

6

5

4

3

2

1

| ISSUE | REVISION | DATE: | MADE BY | APPROVED BY |
|-------|------------------------------|------------|-------------|-------------|
| 1.0 | FIRST RELEASE FOR PRODUCTION | JAN 10 '02 | LU SHUN YAO | ALAN TONG |
| | | | | |
| | | | | |
| | | | | |

D

D

C

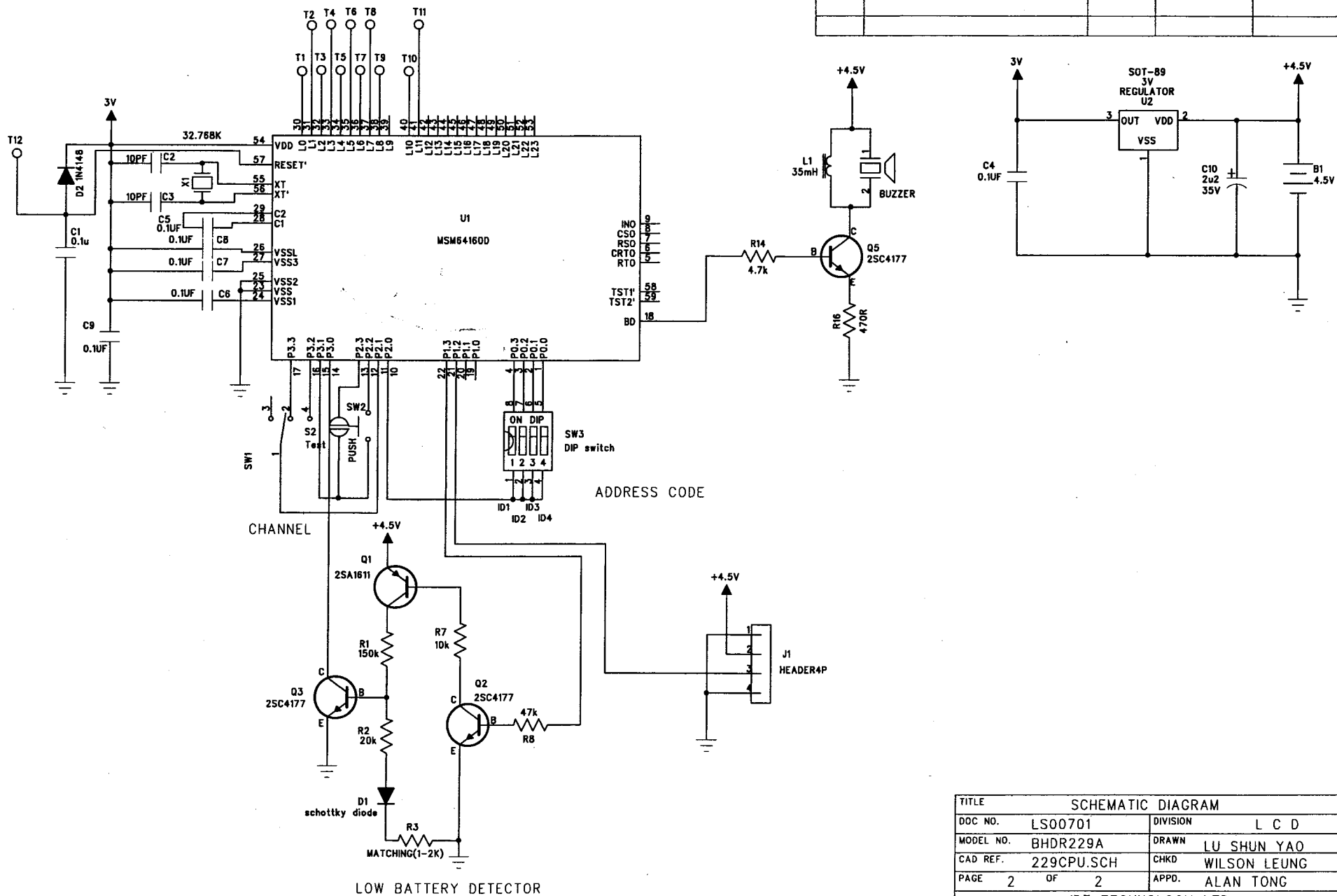
C

B

B

A

A

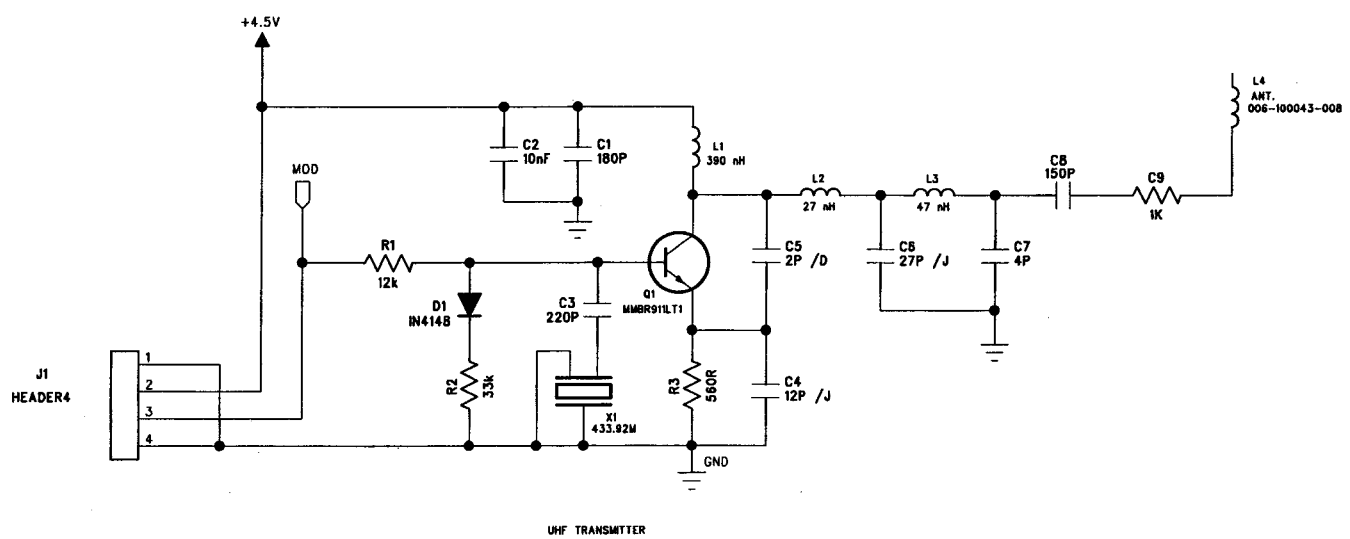


| TITLE | | SCHEMATIC DIAGRAM | |
|-----------|------------|-------------------|--------------|
| DOC NO. | LS00701 | DIVISION | L C D |
| MODEL NO. | BHDR229A | DRAWN | LU SHUN YAO |
| CAD REF. | 229CPU.SCH | CHKD | WILSON LEUNG |
| PAGE | 2 OF 2 | APPD. | ALAN TONG |

IDT TECHNOLOGY LTD.

6 5 4 3 2 1

| ISSUE | REVISION | DATE: | MADE BY | APPROVED BY |
|-------|------------------------------|------------|-------------|-------------|
| 1.0 | FIRST RELEASE FOR PRODUCTION | MAR 12, 02 | LU SHUN YAO | JAVIER |
| | | | | |
| | | | | |
| | | | | |



UHF TRANSMITTER

| TITLE | | | |
|---------------------|--------------|----------|--------------|
| TRANSMITTER MODULE | | | |
| DOC NO. | LS00XXX | DIVISION | L C D |
| MODEL NO. | BHDR229A | DRAWN | LU SHUN YAO |
| CAD REF. | BHDR229A.SCH | CHKD | WILSON LEUNG |
| PAGE | 2 OF 2 | APPD. | JAVIER LAM |
| IDT TECHNOLOGY LTD. | | | |