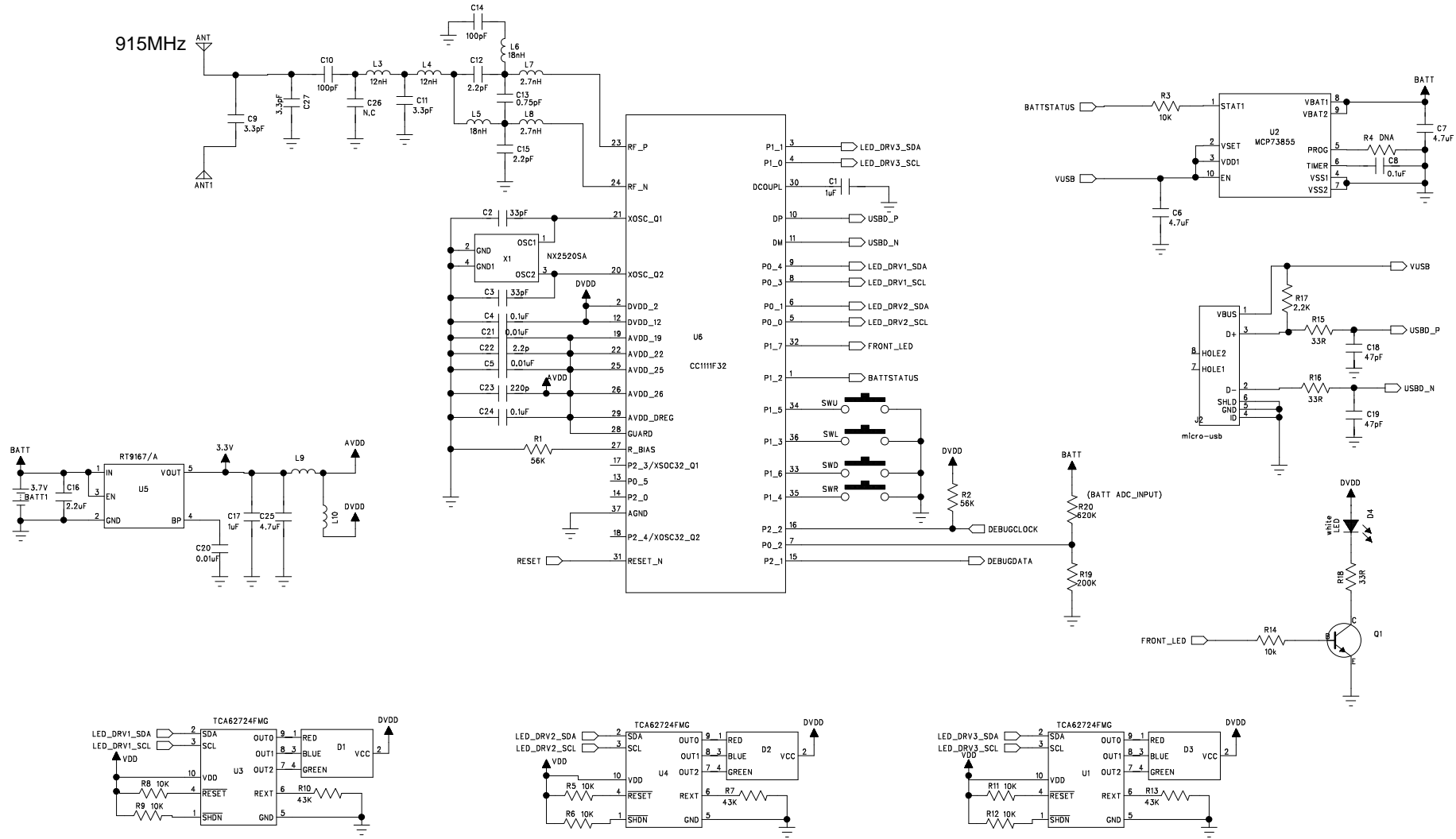


ISSUE	REVISION	DATE:	MADE BY	APPROVED BY
1.0	FIRST REL. FOR PROTOTYPE	Jul 19 11	QYTANG	Q.Y.TANG
2.0	Add batt input for low battery detector	13 Oct 2011	QYTANG	QYTANG



TITLE MAIN BOARD SCHEMATIC DIAGRAM			
DOC NO.	LS0xxxx	DIVISION	LCD PDD
MODEL NO.	xxxxxx	DRAWN	QYTANG
CAD REF.	xxx LS.SCH	CHKD	Q.Y.TANG
PAGE	1 OF 1	APPD.	K.F.CHAN
IDT TECHNOLOGY LTD.			