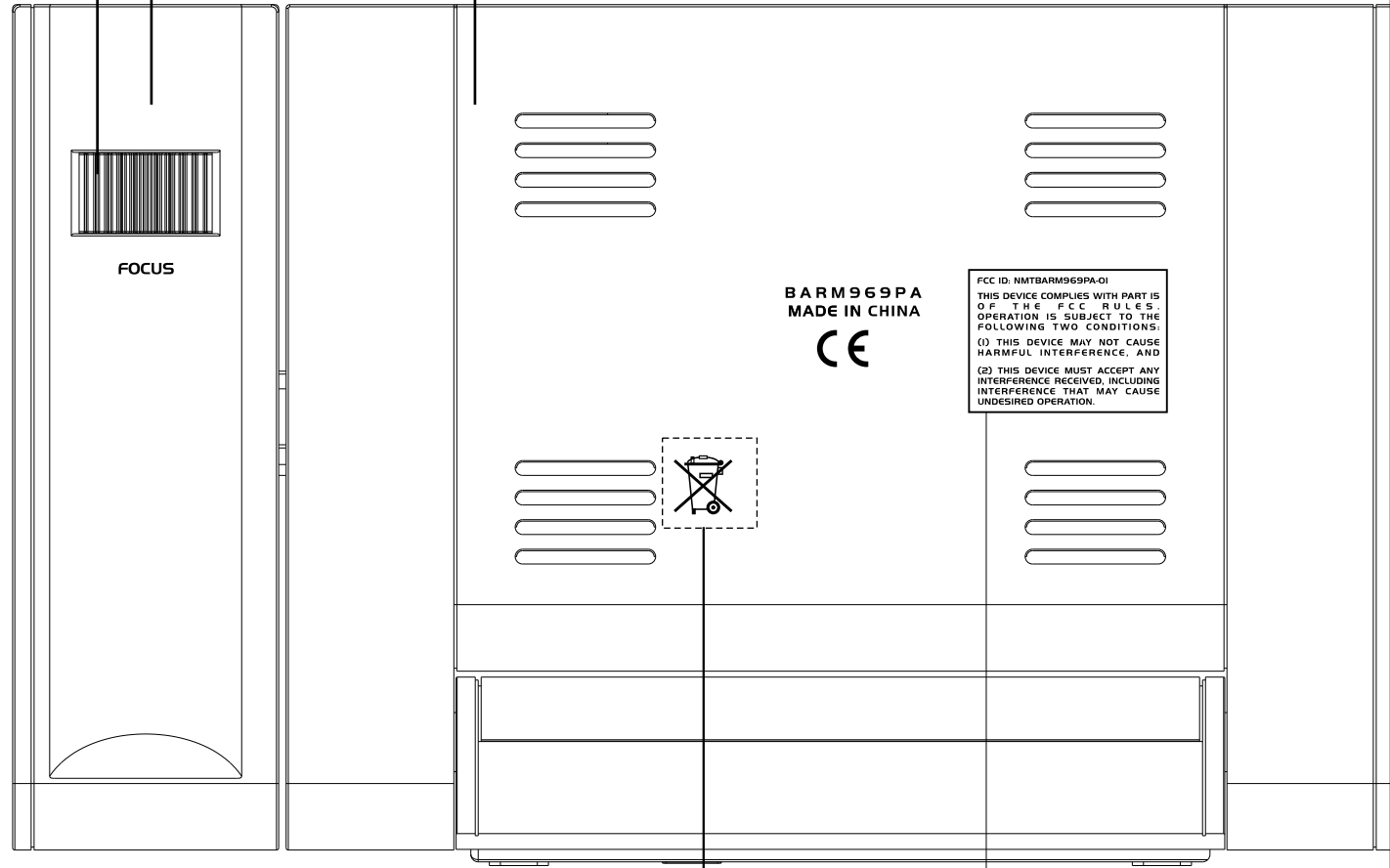
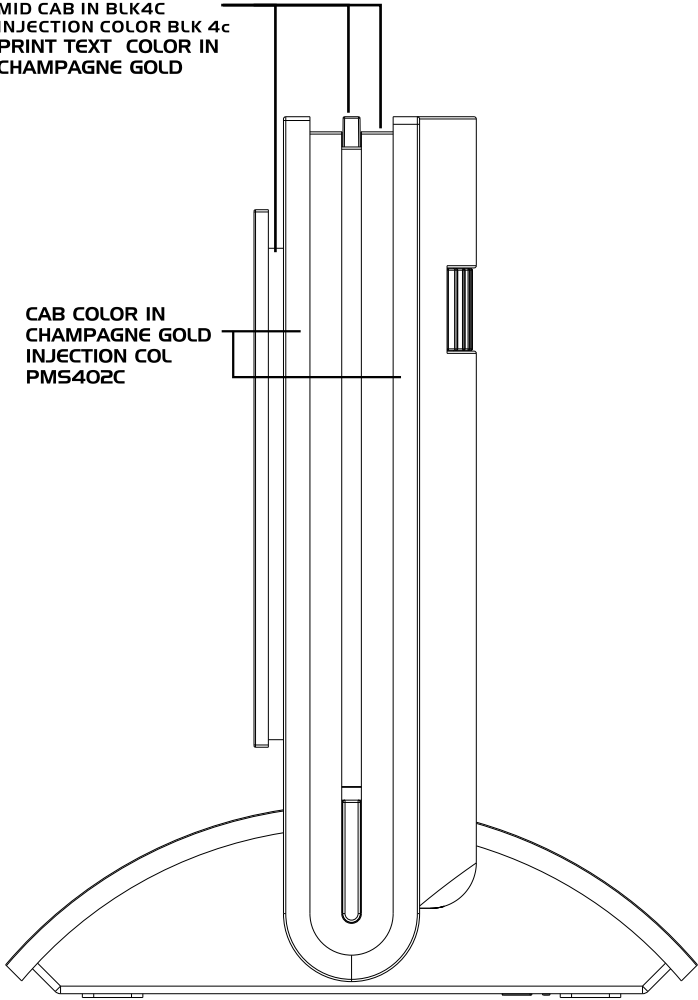


MID CAB IN BLK4C  
INJECTION COLOR BLK 4c  
PRINT TEXT COLOR IN  
CHAMPAGNE GOLD

KEY COLOR IN  
PMS BLK4C  
(DARK GRAY)  
INJECTION COL  
IN PMS BLK 4C

CAB COLOR IN TITANIUM SPRAY  
PRINT TEXT COLOR IN CHAMPAGNE GOLD  
INJECTION COL PMS402C

CAB COLOR IN  
CHAMPAGNE GOLD  
INJECTION COL  
PMS402C



BARM969PA  
MADE IN CHINA



FCC ID: NMTBARM969PA-01  
THIS DEVICE COMPLIES WITH PART 15  
OF THE FCC RULES.  
OPERATION IS SUBJECT TO THE  
FOLLOWING TWO CONDITIONS:  
(1) THIS DEVICE MAY NOT CAUSE  
HARMFUL INTERFERENCE, AND  
(2) THIS DEVICE MUST ACCEPT ANY  
INTERFERENCE RECEIVED, INCLUDING  
INTERFERENCE THAT MAY CAUSE  
UNDESIRABLE OPERATION.

EMBOSSSED GRAPHIC.

SIZE:27x20mm

**IDT** IDT Technology Limited

MODEL:	BARM969P
TITLE:	COLOR SP.
VERSION:	
REV:	DATE: 23 dec 2005
REMARK:	PAGE 2 OF 4
PREPARED BY:	Crystal Ho
FILE:	BARM969P COLOR SPEC. 21
APPROVED BY:	
PMGT	<input type="checkbox"/>
MKTR	<input type="checkbox"/>
CU	<input type="checkbox"/>
DATE:	