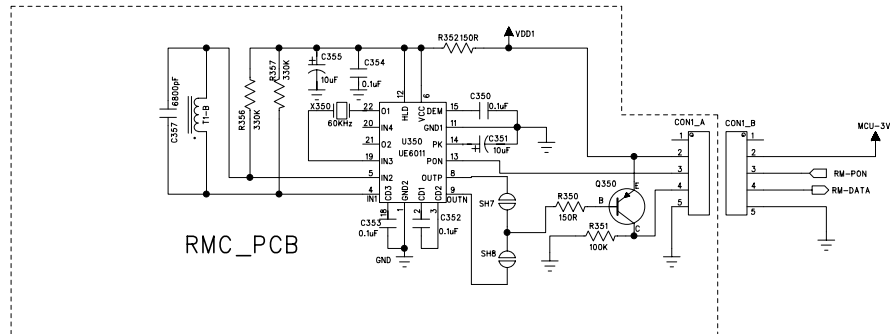
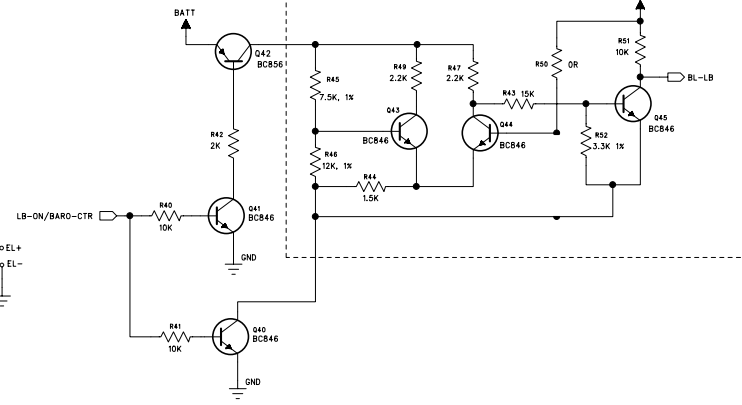
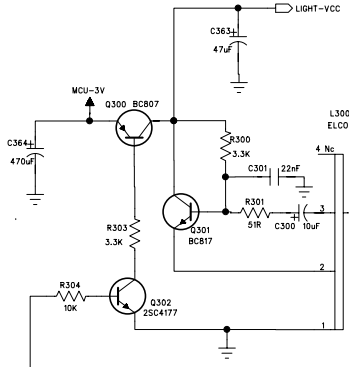
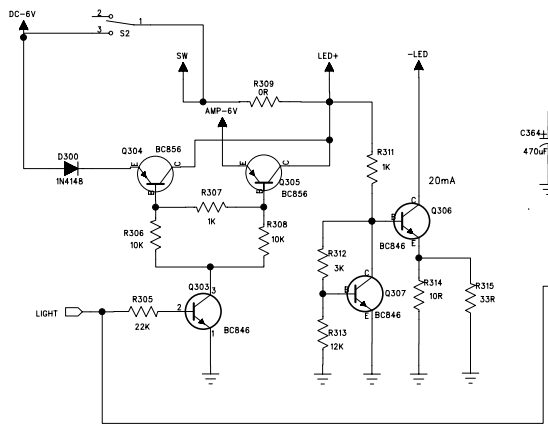
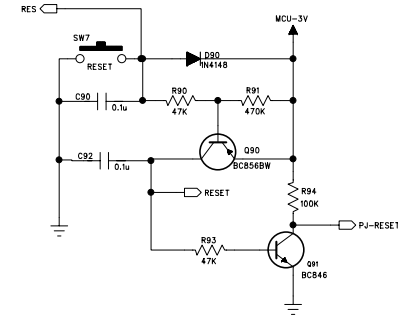


ISSUE	REVISION	DATE:	MADE BY	APPROVED BY
1.0	FIRST RELEASE FOR PRODUCTION	MAR 16 06	YJZHU	WILSON CHAN



SH8 SHORT OUTN(PIN9)



NOTE:1.DELETE Q104 Q120 R102 R104 R162 C107 C133.  
 2.SH9 SH11 CLOSE,SH10 OPEN.

TITLE				
DOC NO.	LS01254	DIVISION	L C D	
MODEL NO.	BARM969PA	DRAWN	YJZHU	
CAD REF.	BARM969PLS.SCH	CHKD	D.R.ZHOU	
PAGE	1	OF	7	APPD. WILSON CHAN
IDT TECHNOLOGY LTD.				

ISSUE	REVISION	DATE:	MADE BY	APPROVED BY
1.0	FIRST RELEASE FOR PRODUCTION	MAR 16 06	YJZHU	WILSON CHAN

D

C

B

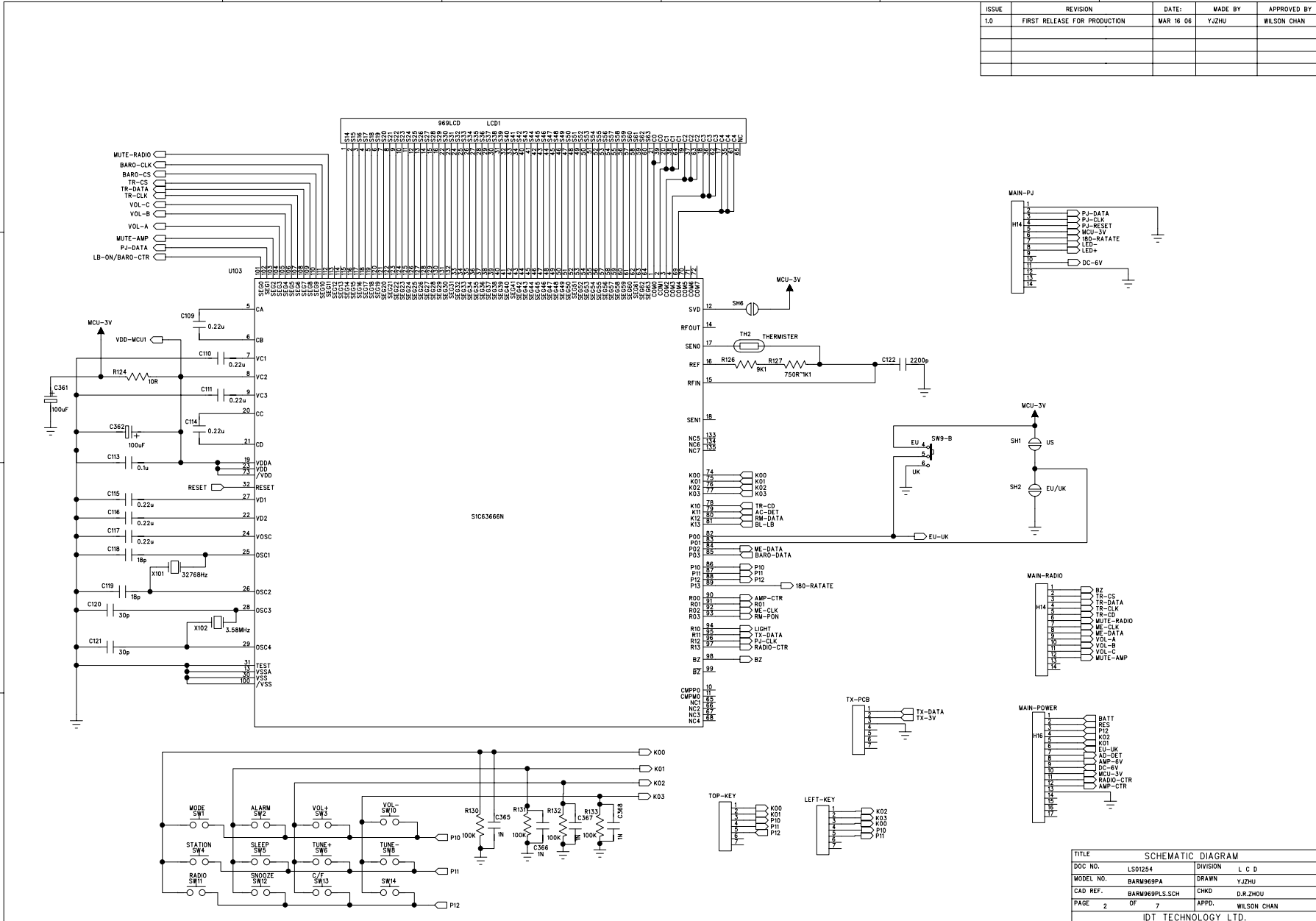
A

D

C

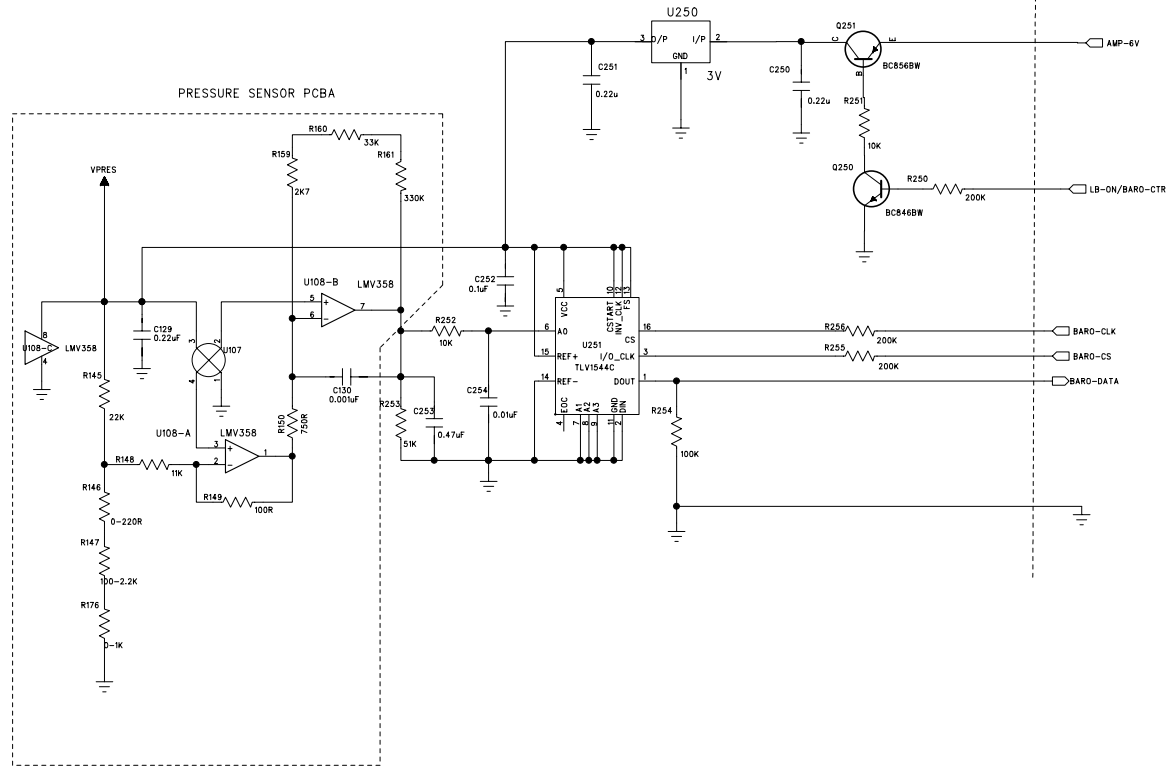
B

A



TITLE			
DOC NO.	LS01254	DIVISION	L C D
MODEL NO.	BARM969PA	DRAWN	YJZHU
CAD REF.	BARM969PLS.SCH	CHKD	D.R.ZHOU
PAGE	2	OF	7
APPD.		WILSON CHAN	
IDT TECHNOLOGY LTD.			

ISSUE	REVISION	DATE:	MADE BY	APPROVED BY
1.0	FIRST RELEASE FOR PRODUCTION	MAR 16 06	YJZHU	WILSON CHAN



TITLE			
DOC NO.	LS01254	DIVISION	L C D
MODEL NO.	BARM969PA	DRAWN	YJZHU
CAD REF.	BARM969PLS1SCH	CHKD	D.R.ZHOU
PAGE	3 OF 7	APPD.	WILSON CHAN
IDT TECHNOLOGY LTD.			

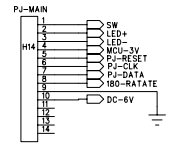
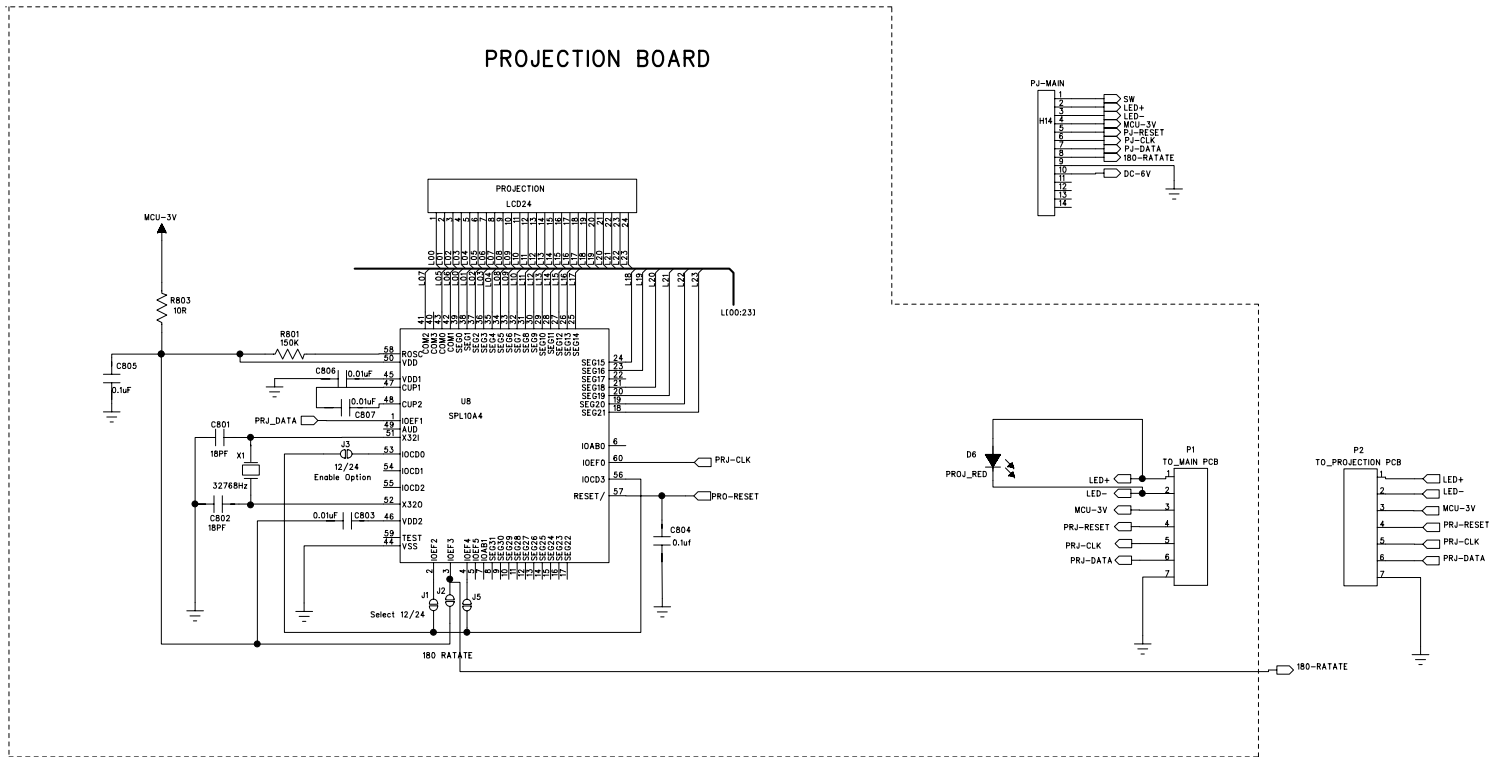
ISSUE	REVISION	DATE	MADE BY	APPROVED BY
1.0	FIRST RELEASE FOR PRODUCTION	MAR 16 06	YJZHU	WILSON CHAN

OPTION:

	OPEN	SHORT
J1	24HR	12HR
J3	OPEN	OPEN

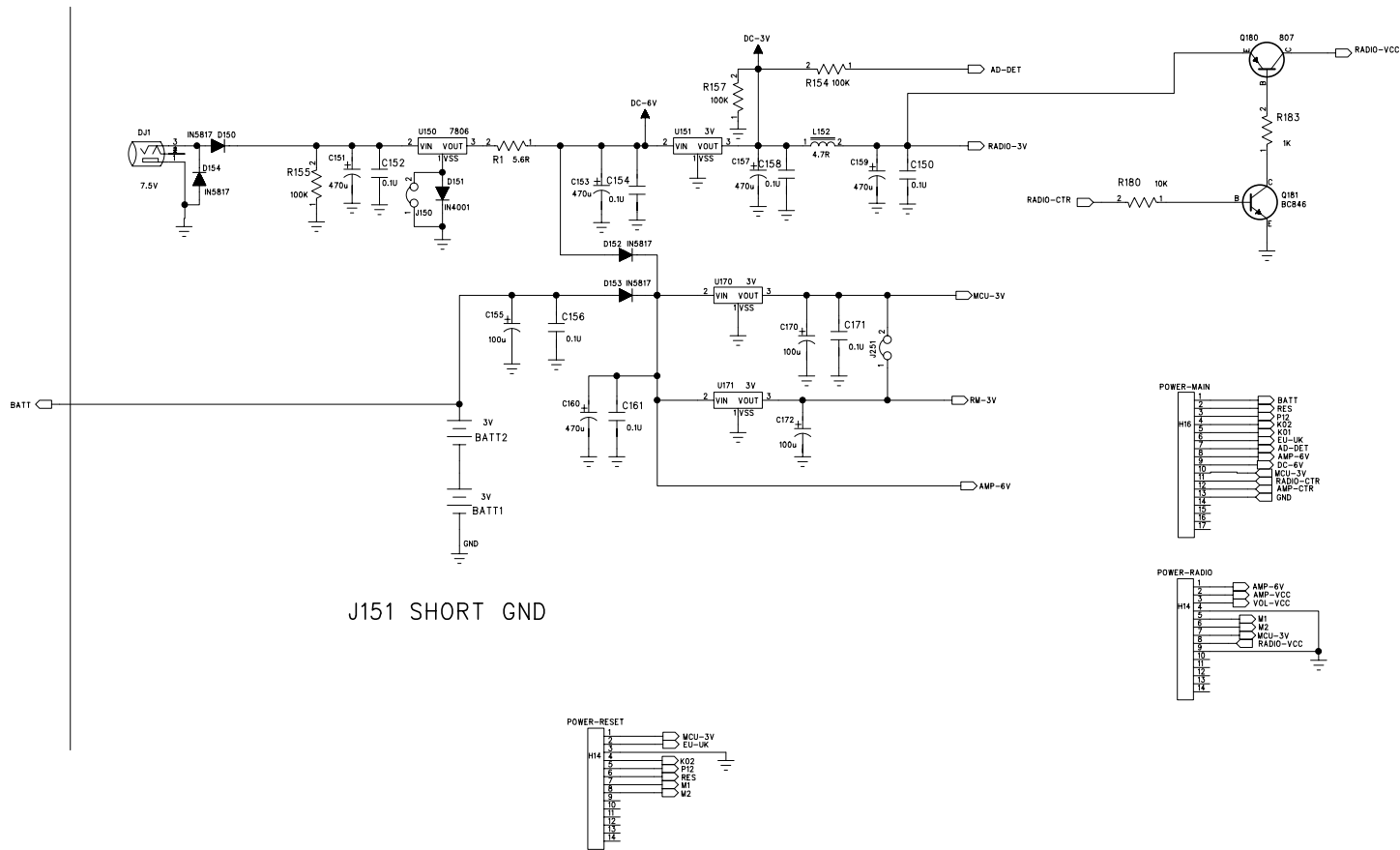
J5 SHORT RATATE

### PROJECTION BOARD



TITLE			
DOC NO.	LS01254	DIVISION	L C D
MODEL NO.	BARM969PA	DRAWN	YJZHU
CAD REF.	BARM969PLS.SCH	CHKD	D.R.ZHOU
PAGE	4 OF 7	APPD.	WILSON CHAN
IDT TECHNOLOGY LTD.			

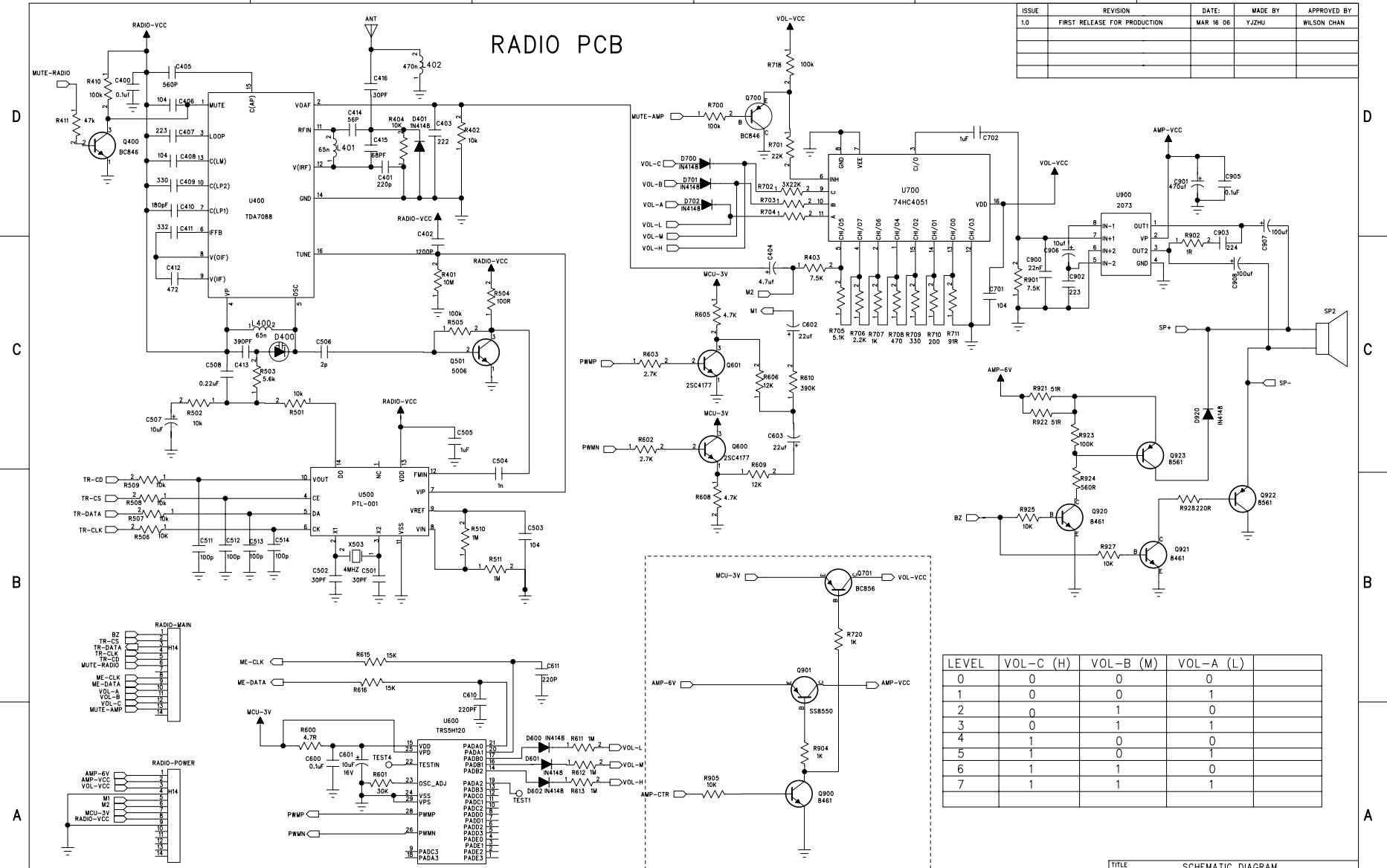
ISSUE	REVISION	DATE:	MADE BY	APPROVED BY
1.0	FIRST RELEASE FOR PRODUCTION	MAR 16 06	YJZHU	WILSON CHAN



TITLE		SCHEMATIC DIAGRAM	
DOC NO.	LS01254	DIVISION	L C D
MODEL NO.	BARM969PA	DRAWN	YJZHU
CAD REF.	BARM969PLS1SCH	CHKD	D.R.ZHOU
PAGE	5 OF 7	APPD.	WILSON CHAN
IDT TECHNOLOGY LTD.			

ISSUE	REVISION	DATE	MADE BY	APPROVED BY
1.0	FIRST RELEASE FOR PRODUCTION	MAR 16 06	YJZHU	WILSON CHAN

# RADIO PCB



LEVEL	VOL-C (H)	VOL-B (M)	VOL-A (L)
0	0	0	0
1	0	0	1
2	0	1	0
3	0	1	1
4	1	0	0
5	1	0	1
6	1	1	0
7	1	1	1

TITLE			
DOC NO.	LS01254	DIVISION	L C D
MODEL NO.	BARM969PA	DRAWN	YJZHU
CAD REF.	BARM969PLS.SCH	CHKD	D.R.ZHOU
PAGE	6 OF 7	APPD.	WILSON CHAN
IDT TECHNOLOGY LTD.			

6

5

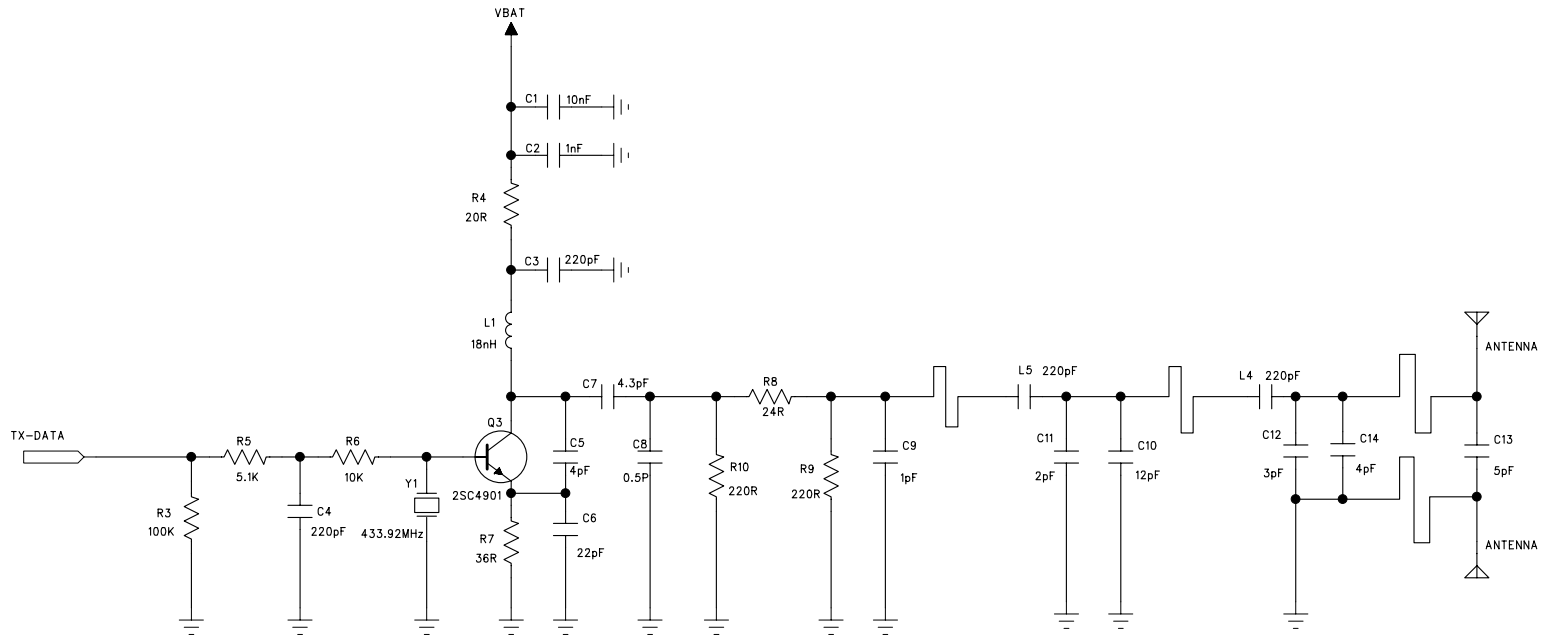
4

3

2

1

ISSUE	REVISION	DATE:	MADE BY	APPROVED BY
1.0	FIRST RELEASE FOR PRODUCTION	MAR 16 03	YJZHU	WILSON CHAN



3V

TITLE		SCHEMATIC DIAGRAM	
DOC NO.	LS01254	DIVISION	L C D
MODEL NO.	BARM969PA	DRAWN	YJZHU
CAD REF.	BARM969P-TX.SCH	CHKD	D.R.ZHOU
PAGE	7 OF 7	APPD.	WILSON CHAN
IDT TECHNOLOGY LTD.			