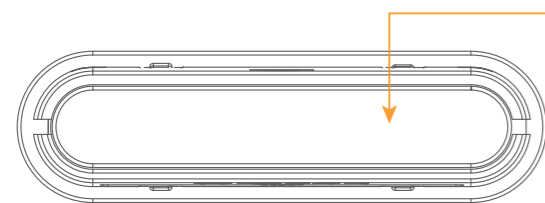


Cover

Color: White (CW-08)
 Materials: ABS
 Finishing: High glossy
 Silkscreen color: Mirror Chrome

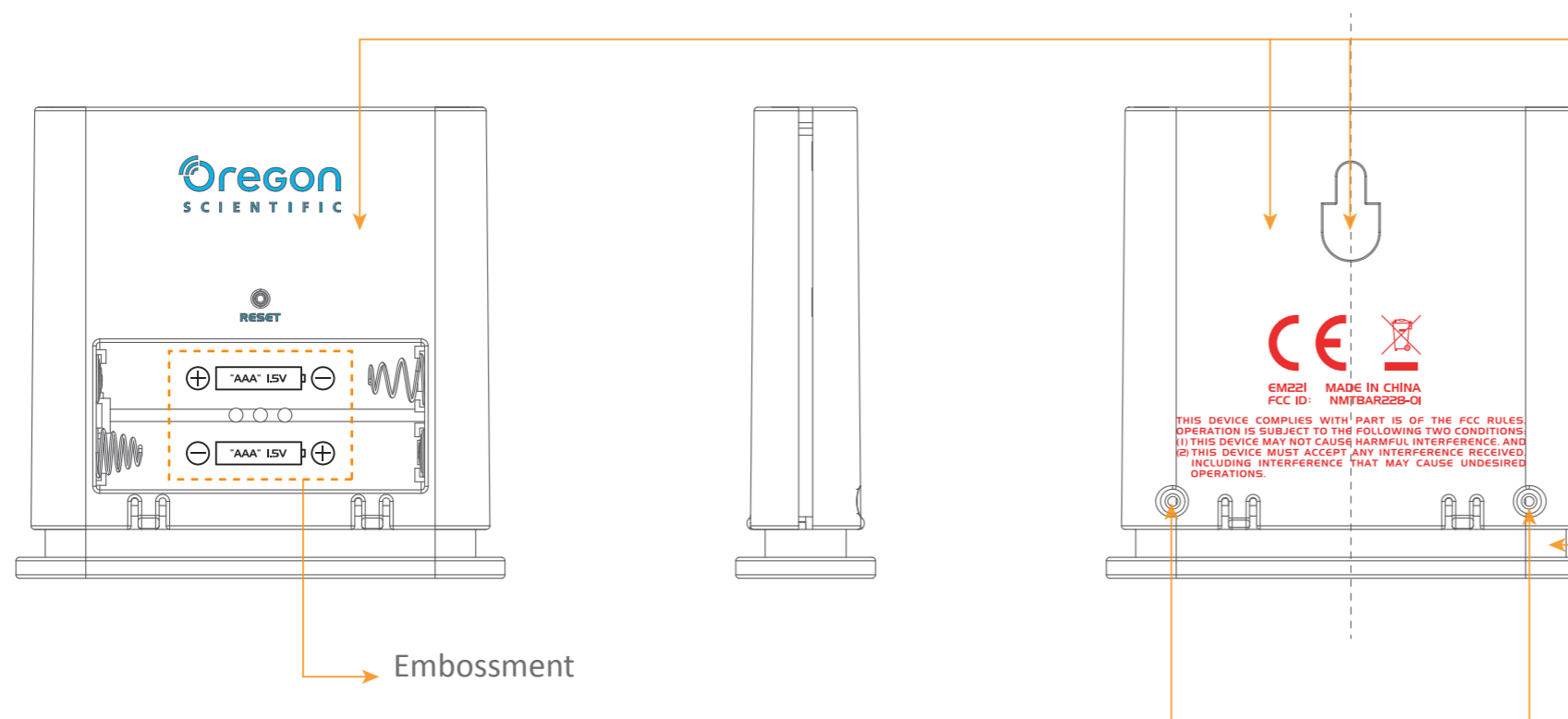


PANTONE 428 C



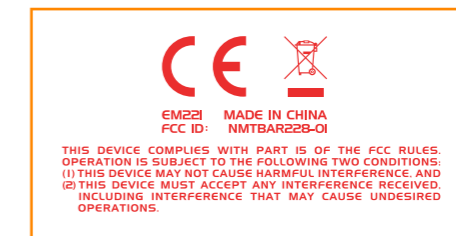
Button

Color: White (CW-08)
 Materials: ABS
 Finishing: YS 20002A (Matt)



Front & Back Cab.

Color: White (CW-08)
 Materials: ABS
 Finishing: YS 20002A (Matt)
 High Glossy> OS logo & Reset
 Silkscreen color: PANTONE 428C



Light Guide

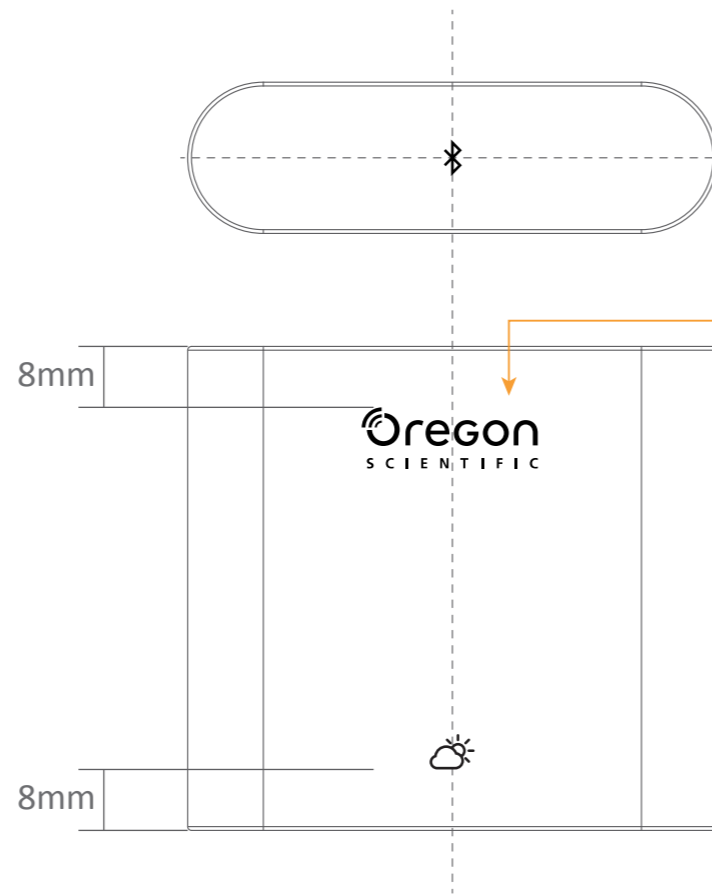
Color: Transparent
 Materials: PC
 Finishing: YS 20002A (Matt)

Screws

Color: Silver

IDT IDT Technology Limited

MODEL: EM221
TITLE: COLOR SP.
VERSION: 04
REV.: DATE: 20JUL2015
REMARK: PAGE 1 OF 1
PREPARED BY: Carlos Ng
FILE:
APPROVED BY:
PMGT <input type="checkbox"/>
MKTR <input type="checkbox"/>
CU <input type="checkbox"/>
DATE:

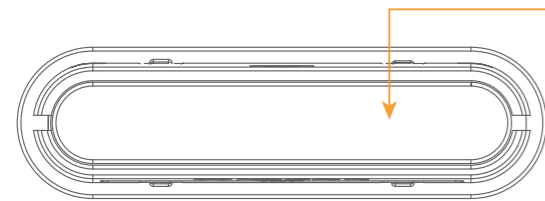


Cover

Color: White (CW-08)
 Materials: ABS
 Finishing: High glossy
 Silkscreen color: Mirror Chrome

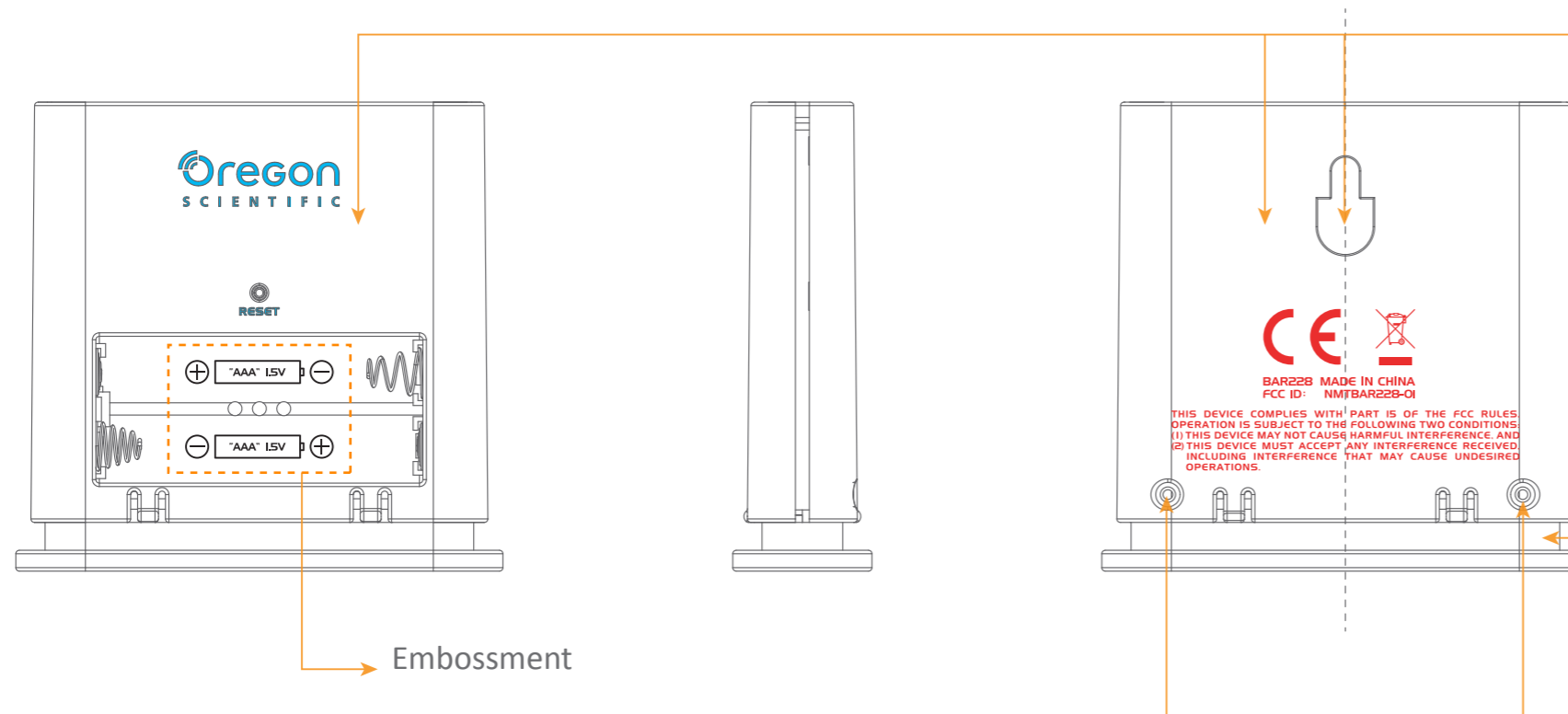


PANTONE 428 C



Button

Color: White (CW-08)
 Materials: ABS
 Finishing: YS 20002A (Matt)



Front & Back Cab.

Color: White (CW-08)
 Materials: ABS
 Finishing: YS 20002A (Matt)
 High Glossy > OS logo & Reset
 Silkscreen color: PANTONE 428C



Light Guide

Color: Transparent
 Materials: PC
 Finishing: YS 20002A (Matt)

Screws

Color: Silver

IDT IDT Technology Limited

MODEL: BAR228
TITLE: COLOR SP.
VERSION: 04
REV.: DATE: 20JUL2015
REMARK: PAGE 1 OF 1
PREPARED BY: Carlos Ng
FILE:
APPROVED BY
PMGT <input type="checkbox"/>
MKTR <input type="checkbox"/>
CU <input type="checkbox"/>
DATE: