

6

5

4

3

2

1

ISSUE	REVISION	DATE:	MADE BY	APPROVED BY
I.0	FIRST RELEASE FOR PRODUCTION	JAN/24/03	X.B.LIU	Wilson Chan

D

D

C

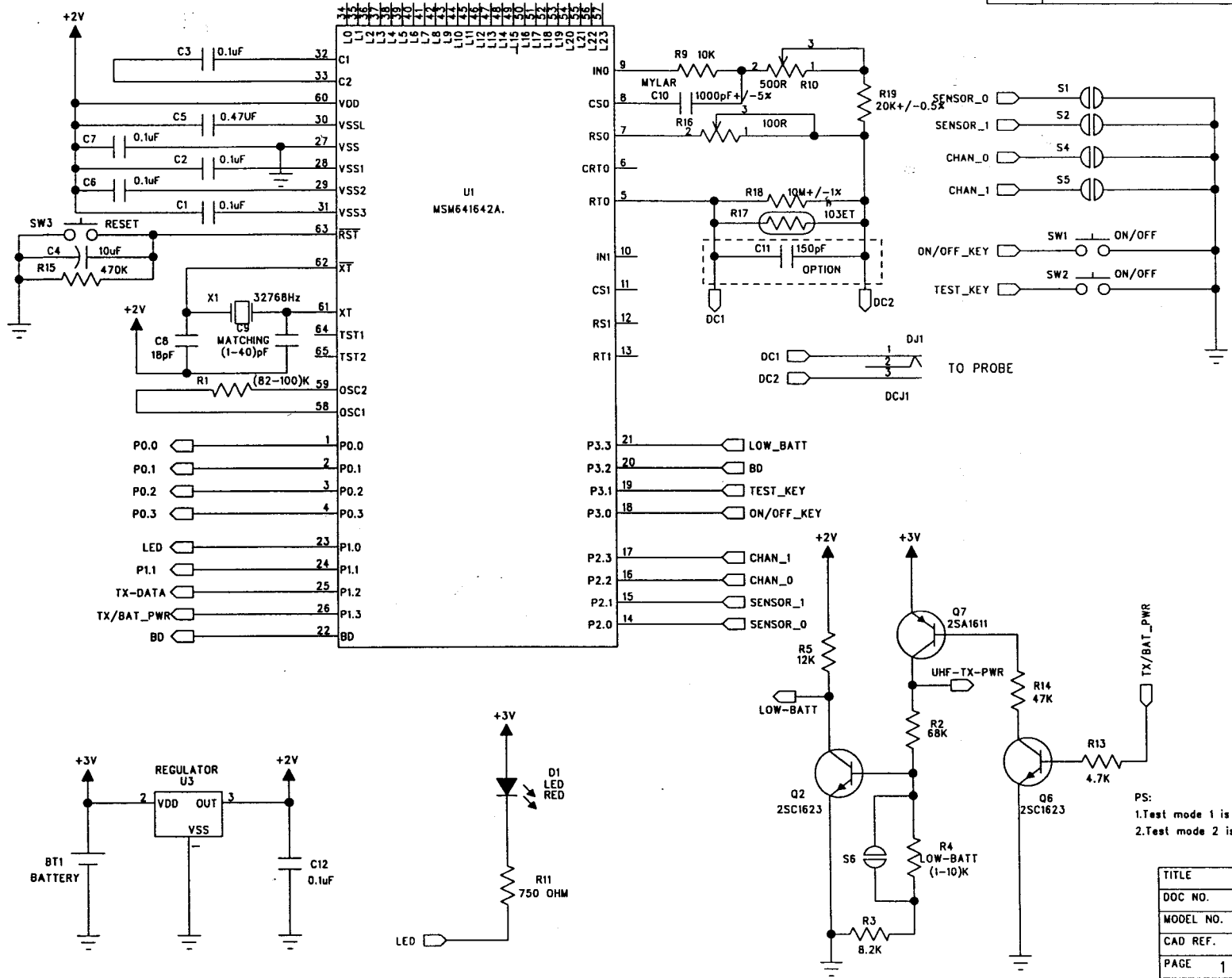
C

B

B

A

A



SENSOR_0	SENSOR_1	SENSOR TYPE
(CLOSE) 0	(CLOSE) 0	A
(OPEN) 1	(CLOSE) 0	B
(CLOSE) 0	(OPEN) 1	C
(OPEN) 1	(OPEN) 1	A

CHAN_0	CHAN_1	CHANNEL
(CLOSE) 0	(CLOSE) 0	CHANNEL 1
(OPEN) 1	(CLOSE) 0	CHANNEL 2
(CLOSE) 0	(OPEN) 1	CHANNEL 3
(OPEN) 1	(OPEN) 1	CHANNEL 1

TEST_KEY	STATUS
WHEN UNIT IS OFF	PRESS & HOLD SECONDS DURING TURNING ON THE POWER/ENTER TEST MODE 1.
WHEN UNIT IS ON & IN TEST MODE 1	PRESS & HOLD 2 SECONDS IN TEST MODE 1, ENTER TEST MODE 2.

ON/OFF KEY	STATUS
WHEN UNIT IS ON	PRESS & HOLD 2 SEC TO TURN OFF
WHEN UNIT IS OFF	PRESS & HOLD 2 SEC TO TURN ON

PS:
 1. Test mode 1 is measurement of temperature and low battery detection
 2. Test mode 2 is running digit RF transmission.

TITLE			
SCHEMATIC DIAGRAM			
DOC NO.	LS00134	DIVISION	L C D
MODEL NO.	AWR129	DRAWN	X.B.LIU
CAD REF.	AWR129.SCH	CHKD	Wilson Chan
PAGE	1 OF 2	APPD.	Wilson Chan
IDT TECHNOLOGY LTD.			

6

5

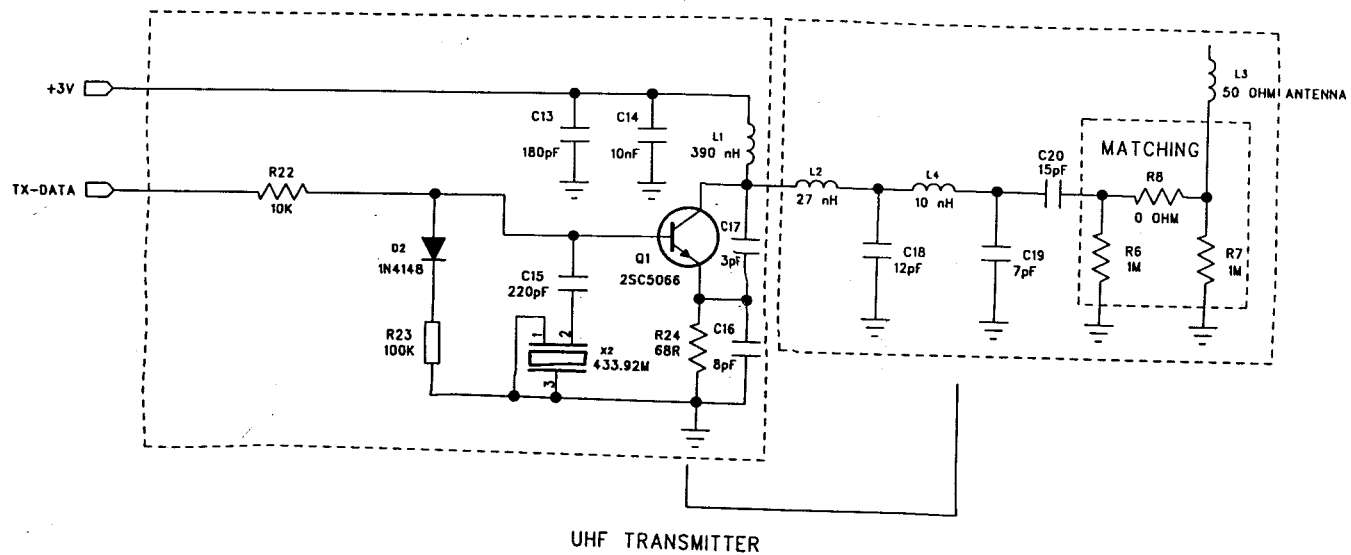
4

3

2

1

ISSUE	REVISION	DATE	MADE BY	APPROVED BY
1.0	FIRST RELEASE FOR PRODUCTION	JAN/24/03	X.B.LIU	Wilson Chan



UHF TRANSMITTER

TITLE			
SCHEMATIC DIAGRAM			
DOC NO.	LS00134	DIVISION	L C D
MODEL NO.	AWR129	DRAWN	X.B.LIU
CAD REF.	AWR129.SCH	CHKD	Wilson Chan
PAGE	2	OF	2
		APPD.	Wilson Chan
IDT TECHNOLOGY LTD.			