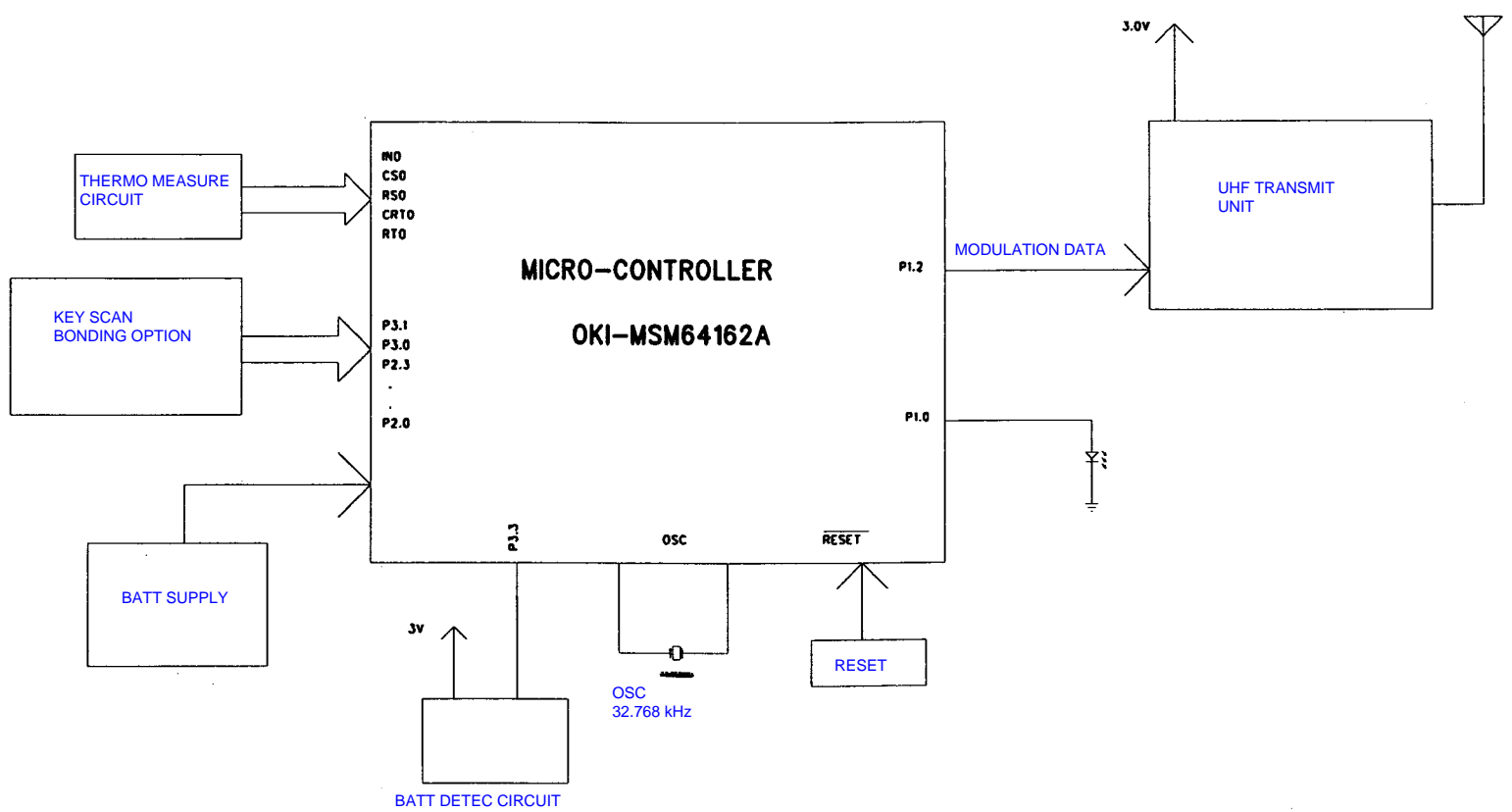


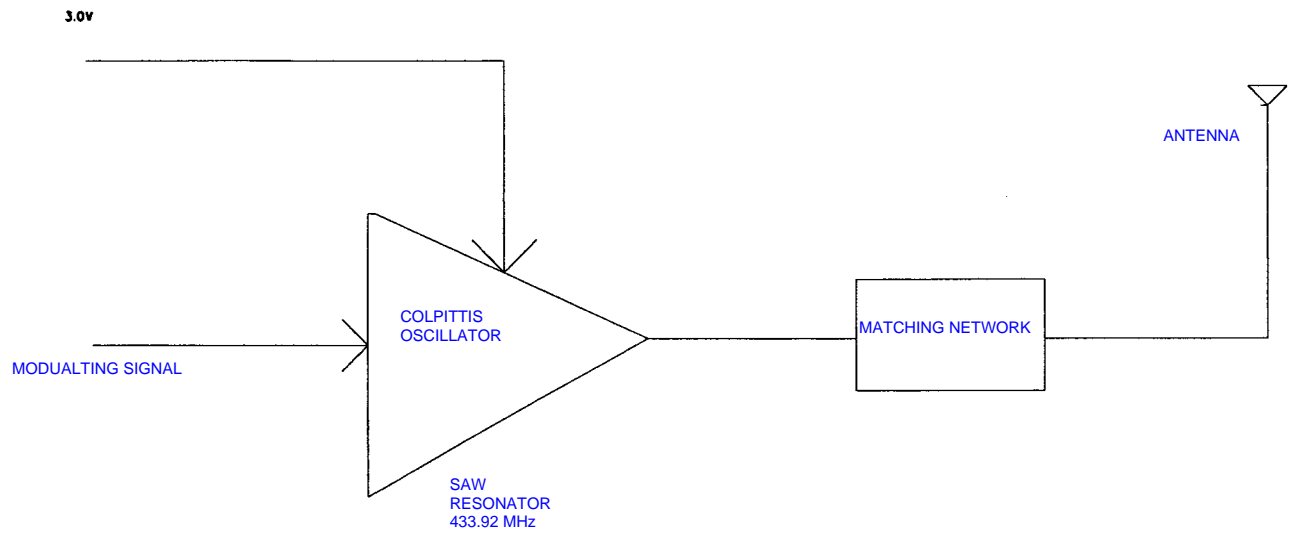
REVISION HISTORY			
LT#	CCR NO.	APPROVER	DATE



AWR 129
SYSTEM BLOCK DIAGRAM

DRAWN:		DATE:		COMPANY:			
CHECKED:		DATE:		TITLE:			
QUALITY CONTROL:		DATE:		CODE:	SIZE:	DRAWING NO.	REV:
RELEASED:		DATE:		SCALE:			SHEET: OF

REVISION RECORD			
LTN	ECN NO.	APPROVER	DATE



433.92 MHz Tx MODULE BLOCK DIAGRAM

DRAWN:		DATE:		COMPANY:	
CHECKED:		DATE:		TITLE:	
QUALITY CONTROL:		DATE:		CODE:	SIZE:
RELEASED:		DATE:		DRAWING NO.:	
SCALE:				SHEET: OF	