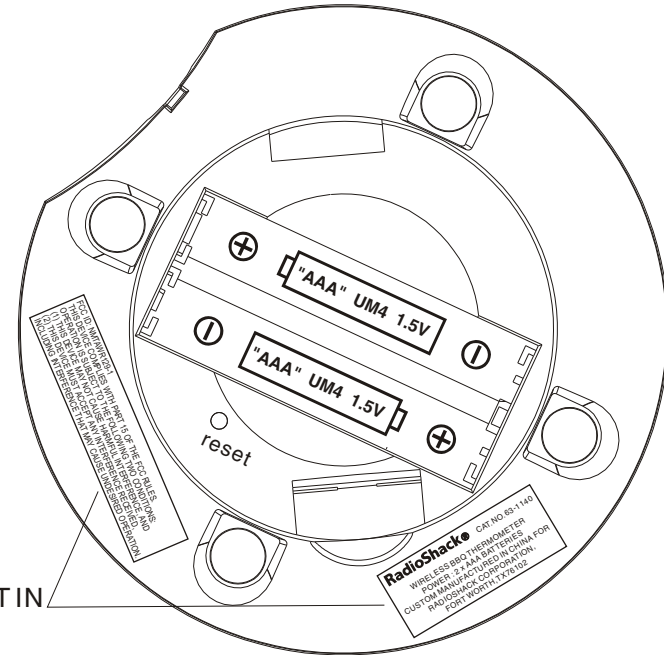


FCC ID: NMTAWR129-1
THIS DEVICE COMPLIES WITH PART 15 OF THE FCC RULES.
OPERATION IS SUBJECT TO THE FOLLOWING TWO CONDITIONS:
(1) THIS DEVICE MAY NOT CAUSE HARMFUL INTERFERENCE, AND
(2) THIS DEVICE MUST ACCEPT ANY INTERFERENCE RECEIVED,
INCLUDING INTERFERENCE THAT MAY CAUSE UNDESIRE OPERATION.

RadioShack® CAT.NO.63-1140
WIRELESS BBQ THERMOMETER
POWER : 2 x AAA BATTERIES
CUSTOM MANUFACTURED IN CHINA FOR
RADIO SHACK CORPORATION,
FORT WORTH, TX76102



PRINT TEXT IN
PMS 427U

300%

100%

AWR 129 REAR CAB SILK