

FRONT CAB:
 INJ. COLOR: PROCESS BLACK C
 SPRAY COLOR: NIL
 TEXTURE: HIGH GLOSS
 S/S COLOR: NIL

RUBBER COVER:
 INJ. COLOR: PROCESS BLACK C
 SPRAY COLOR: NIL
 TEXTURE: YS20002B
 S/S COLOR: NIL

REAR CAB, BATTERY DOOR & STAND:
 INJ. COLOR: PROCESS BLACK C
 SPRAY COLOR: PROCESS BLACK C (MATTE)
 TEXTURE: YS20002B

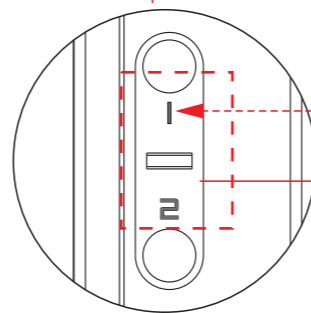
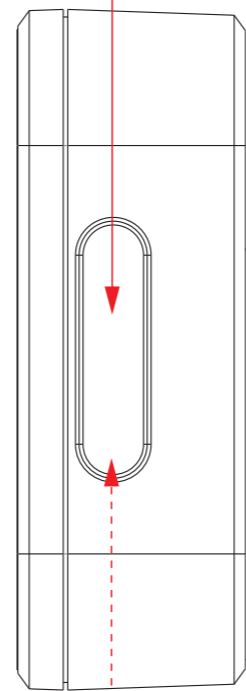
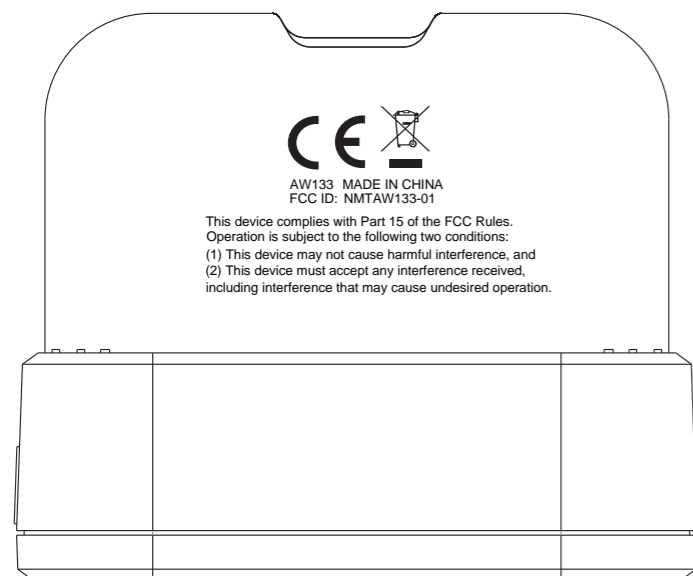
HIGH GLOSS

GLOSSY

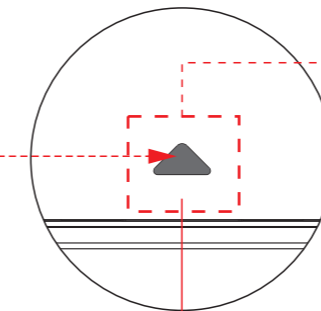
S/S COLOR: COOL GRAY 9C



LENS:
 COLOR: CLEAR TRANSPARENT
 TEXTURE: HIGH GLOSS
 SILKSCREEN (LOGO & TEXT)
 COLOR ON BACK: MIRROR PAINT
 SILKSCREEN (BACKGROUND)
 COLOR ON BACK: PROCESS BLACK C

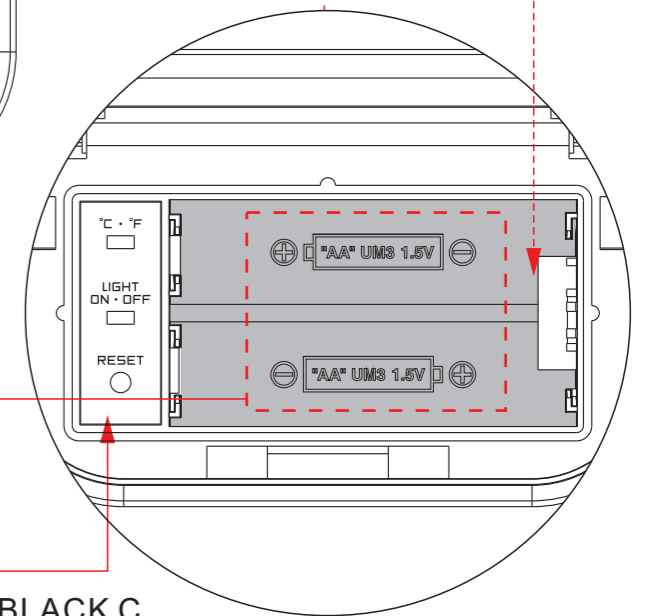


ENGRAVE TEXT & GRAPHIC



EMBOSS TEXT & GRAPHIC

INLAY:
 INJ. COLOR: PROCESS BLACK C
 SPRAY COLOR: NIL
 TEXTURE: YS20002B
 S/S COLOR: PMS 427C



IDT IDT Technology Limited

MODEL:	AW 133
TITLE:	COLOR SPEC.
DATE:	11 APR 2014
REV.:	07
PAGE:	1 OF 1
PREPARED BY:	KEN CHEUNG
APPROVED BY:	PMGT <input type="checkbox"/> MKTR <input type="checkbox"/> CU <input type="checkbox"/>
REMARK:	REVISED BATT. DOOR SILKSCREEN