

AD932

LABEL



COVER-

INJ. COLOR: PMS 425 C(refer to PE932)

TEXTURE:

-  :GLOSSY
- OTHERS :MATT(REFER TO SAMPLE)

PRINTING:

NONE

HOLDER-

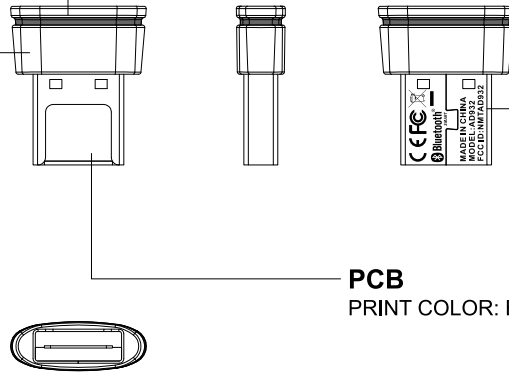
INJ. COLOR: PMS 425 C(refer to PE932)

TEXTURE:

MATT(REFER TO SAMPLE)

PRINTING:

NONE



PCB

PRINT COLOR: BLACK

METAL SHEEL-

MATERIAL: STAINLESS STEEL

COLOR: SILVER

ARTWORK:LASER ENGRAVED

iDT IDT Technology Limited

MODEL: AD932

VERSION: 04

PREPARED BY: Zory

DATE: 2014.1.9

REMARKS:

APPROVED BY

PMGT

MKTR

CU

DATE: