

6

5

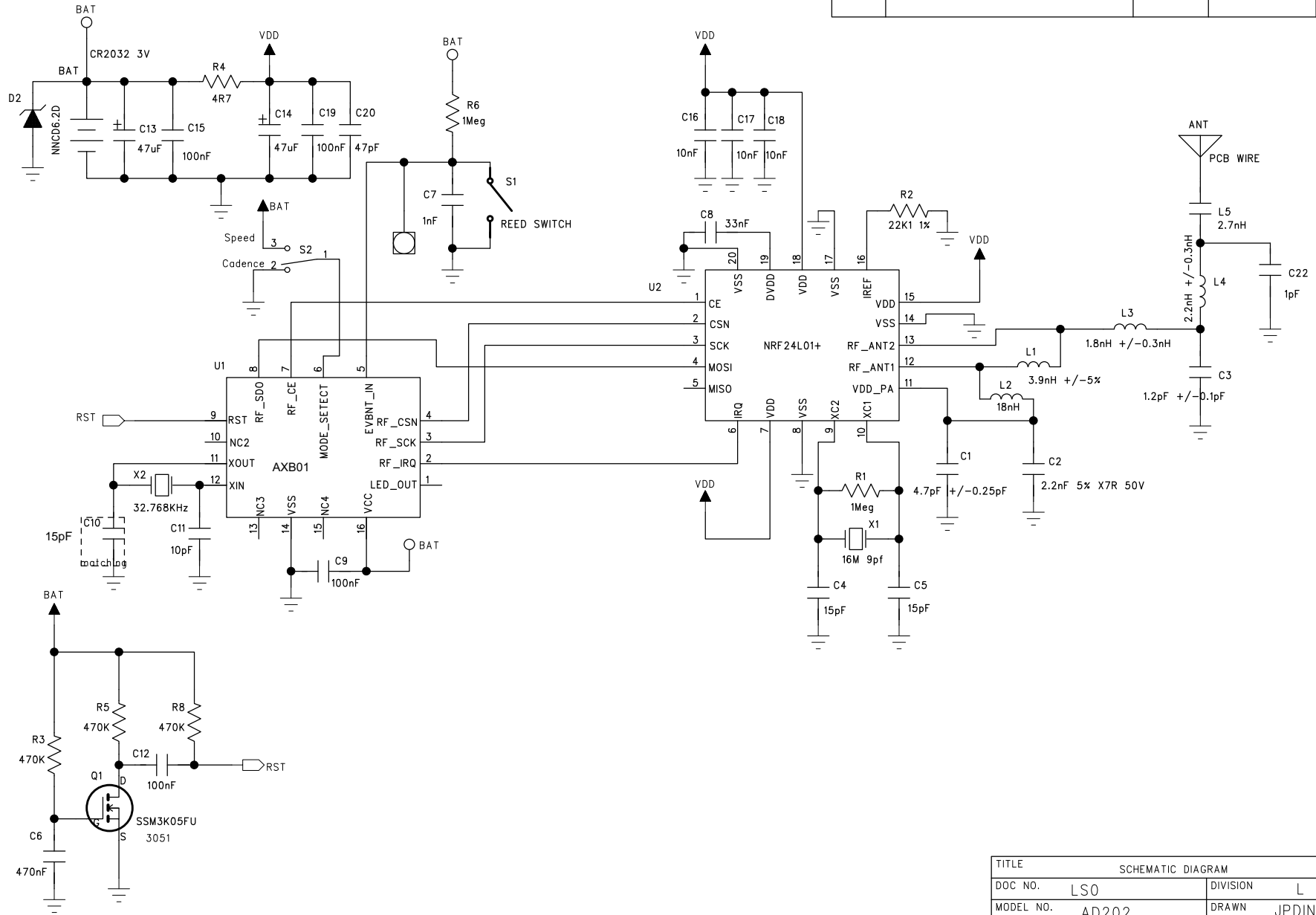
4

3

2

1

ISSUE	REVISION	DATE:	MADE BY	APPROVED BY
1.0	FIRST RELEASE FOR PRODUCTION	JUN 13,09	JPDING	Thomas Wong



TITLE		SCHEMATIC DIAGRAM	
DOC NO.	LS0	DIVISION	L C D
MODEL NO.	AD202	DRAWN	JPDING
CAD REF.		CHKD	Z.Q.Wu
PAGE	1 OF 1	APPD.	Thomas Wong
IDT TECHNOLOGY LTD.			