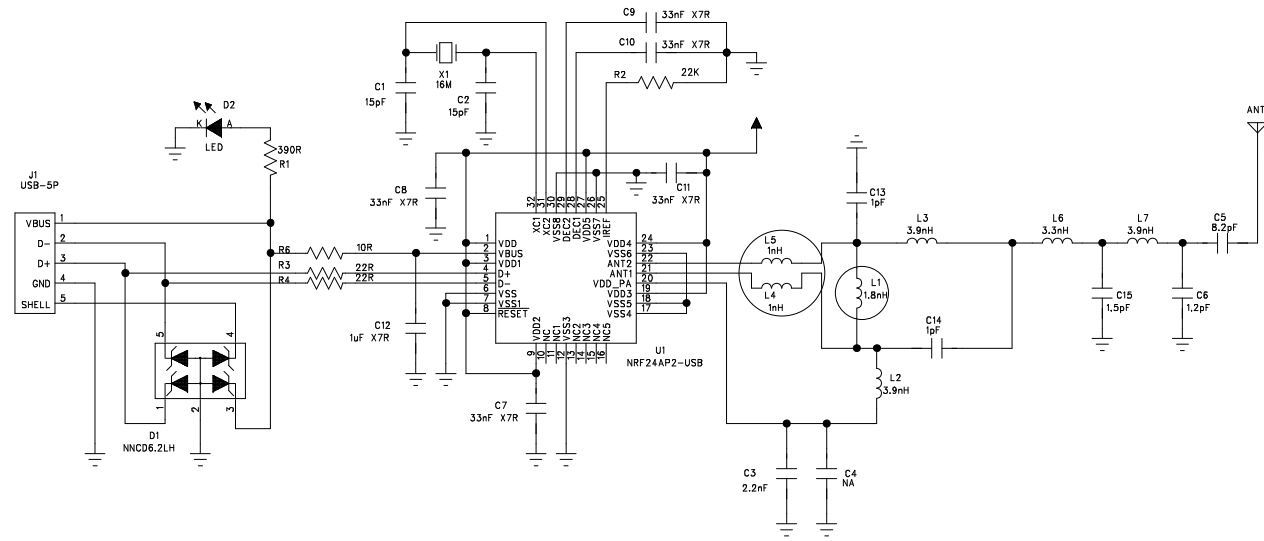


ISSUE	REVISION	DATE:	MADE BY	APPROVED BY
0.0	FIRST RELEASE FOR W/S	JAN 12 11	YFYANG	ZOWU



TITLE		SCHEMATIC DIAGRAM	
DOC NO.	LS0xxxx	DIVISION	L C D
MODEL NO.	AD1B2	DRAWN	YFYANG
CAD REF.	USB-AP2.SCH	CHKD	GZHOU
PAGE	1 OF 1	APPD.	ZOWU