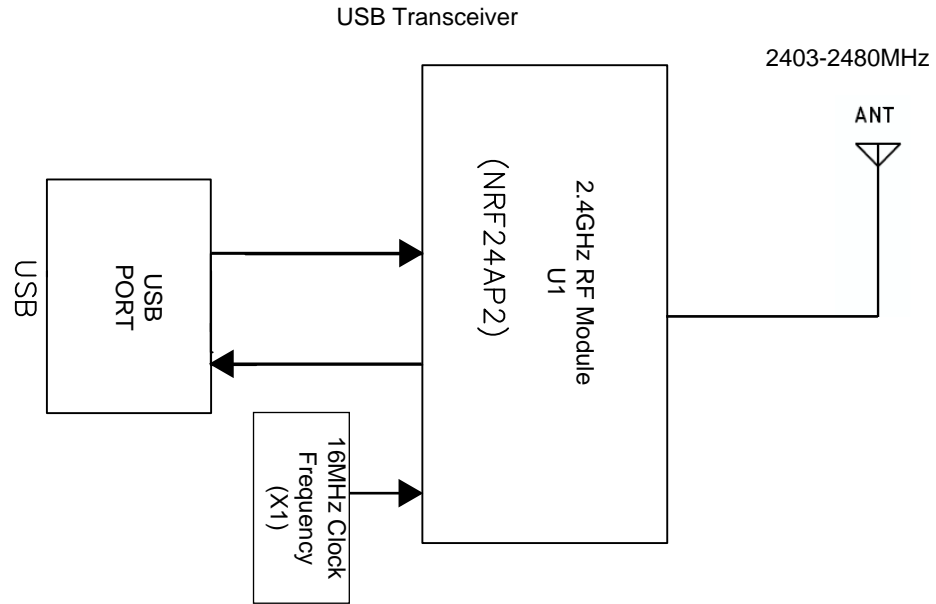


REV.	ISSUE FOR	DATE	MADE BY	APPD BY
1.0	FIRST RELEASE FOR PRODUCTION	AUG 09 11	FXCAI	ZQWu



DO NOT SCALE DRAWING

TITLE COMPONENT LAYOUT		MODEL NO. AD162
MATERIAL N/A		PART NO. / DOC. NO. LC01692
FINISH N/A		DRAWN FXCAI
CAD REF. AD162.DWG		DATE AUG 10 11
PAGE 1	OF 1	CHKD GZhou
SCALE N/A	3rd ANGLE PROJECTION ALL DIMENSIONS ARE IN mm	DATE AUG 10 11
NONE DEFINED TOLERANCE(IT10) LINEAR DIMENSIONS: 0~10 ±0.10 10~50 ±0.18 50~100 ±0.25 >100 ±0.35		APPD ZQWu
ANGULAR PORTIONS ±0.25°		DATE AUG 10 11

AD162 BLOCK DIAGRAM

IDT IDT TECHNOLOGY LTD.

The Block of 2.4GHz RF Module

