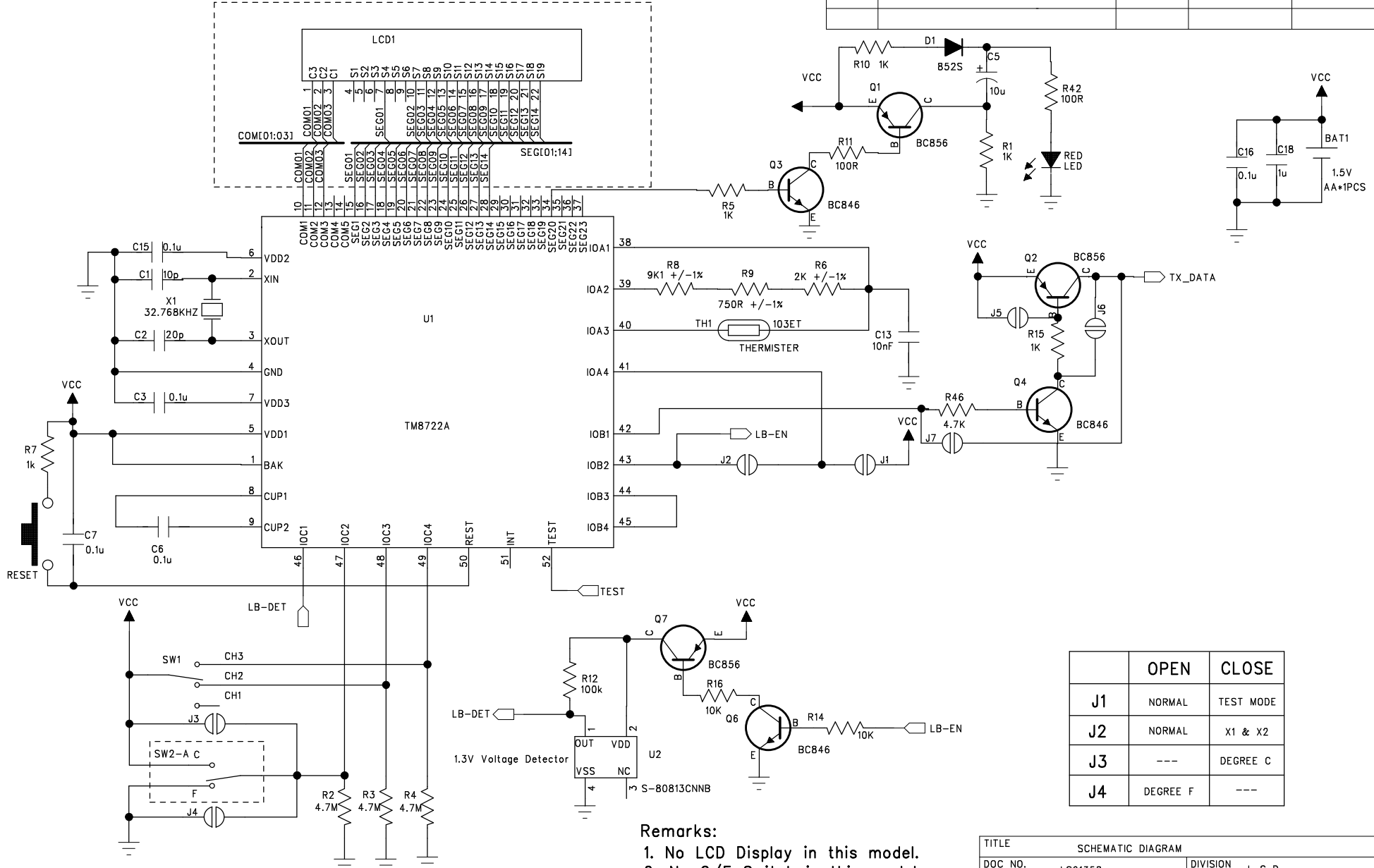


ISSUE	REVISION	DATE:	MADE BY	APPROVED BY
1.0	FIRST RELEASE FOR PRODUCTION	12 MAR 07	MZLAI	ZPZHONG



Remarks:  
 1. No LCD Display in this model.  
 2. No C/F Switch in this model.  
 3. J5 J6 J7 OPEN

	OPEN	CLOSE
J1	NORMAL	TEST MODE
J2	NORMAL	X1 & X2
J3	---	DEGREE C
J4	DEGREE F	---

TITLE			
SCHEMATIC DIAGRAM			
DOC NO.	LS01358	DIVISION	L C D
MODEL NO.	THN801	DRAWN	MZLAI
CAD REF.	THN801.SCH	CHKD	ZPZHONG
PAGE	1	OF	2
		APPD.	ZPZHONG
IDT TECHNOLOGY LTD.			

6

5

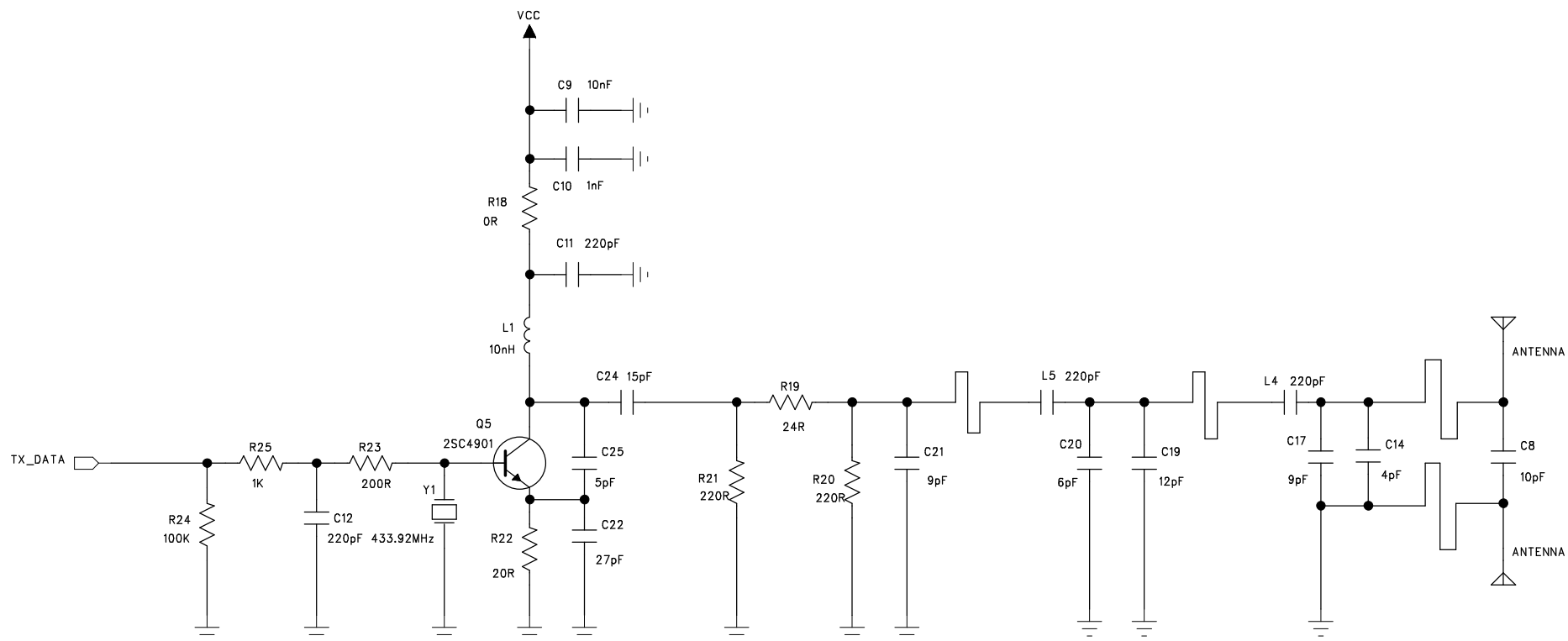
4

3

2

1

ISSUE	REVISION	DATE:	MADE BY	APPROVED BY
1.0	FIRST RELEASE FOR PRODUCTION	12 MAR 07	MZLAI	ZPZHONG



TITLE		SCHEMATIC DIAGRAM	
DOC NO.	LS01358	DIVISION	L C D
MODEL NO.	THN801	DRAWN	MZLAI
CAD REF.	THN801.SCH	CHKD	ZPZHONG
PAGE	2 OF 2	APPD.	ZPZHONG
IDT TECHNOLOGY LTD.			