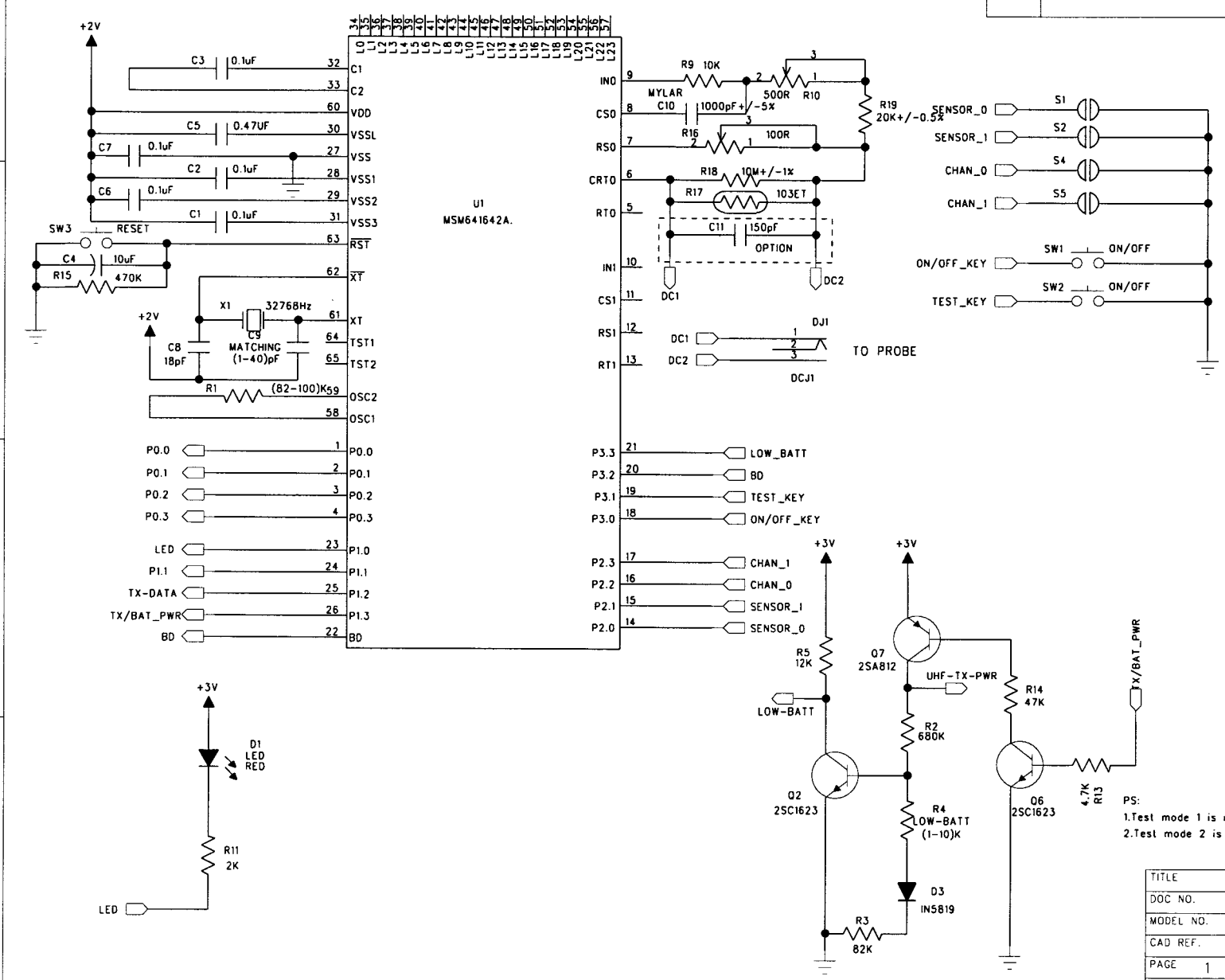


ISSUE	REVISION	DATE:	MADE BY	APPROVED BY
1.0	FIRST RELEASE FOR PRODUCTION	JAN/22/02	Y.SUN	EDDY



SENSOR_0	SENSOR_1	SENSOR TYPE
(CLOSE) 0	(CLOSE) 0	A
(OPEN) 1	(CLOSE) 0	B
(CLOSE) 0	(OPEN) 1	C
(OPEN) 1	(OPEN) 1	A

CHAN_0	CHAN_1	CHANNEL
(CLOSE) 0	(CLOSE) 0	CHANNEL 1
(OPEN) 1	(CLOSE) 0	CHANNEL 2
(CLOSE) 0	(OPEN) 1	CHANNEL 3
(OPEN) 1	(OPEN) 1	CHANNEL 1

TEST_KEY	STATUS
WHEN UNIT IS OFF	PRESS & HOLD SECONDS DURING TURNING ON THE POWER, ENTER TEST MODE 1.
WHEN UNIT IS ON & IN TEST MODE 1	PRESS & HOLD 2 SECONDS IN TEST MODE 1, ENTER TEST MODE 2.

ON/OFF KEY	STATUS
WHEN UNIT IS ON	PRESS & HOLD 2 SEC TO TURN OFF
WHEN UNIT IS OFF	PRESS & HOLD 2 SEC TO TURN ON

- 1. Test mode 1 is measurement of temperature and low battery detection
- 2. Test mode 2 is running digit RF transmission.

TITLE			
SCHEMATIC DIAGRAM		DIVISION L C D	
DOC NO.	LS00XXX	DRAWN Y.SUN	
MODEL NO.	GA128(TX)	CHKD	
CAD REF.	GA128T0.SCH	APPD. EDDY	
PAGE 1	OF 2	IDT TECHNOLOGY LTD.	

6

5

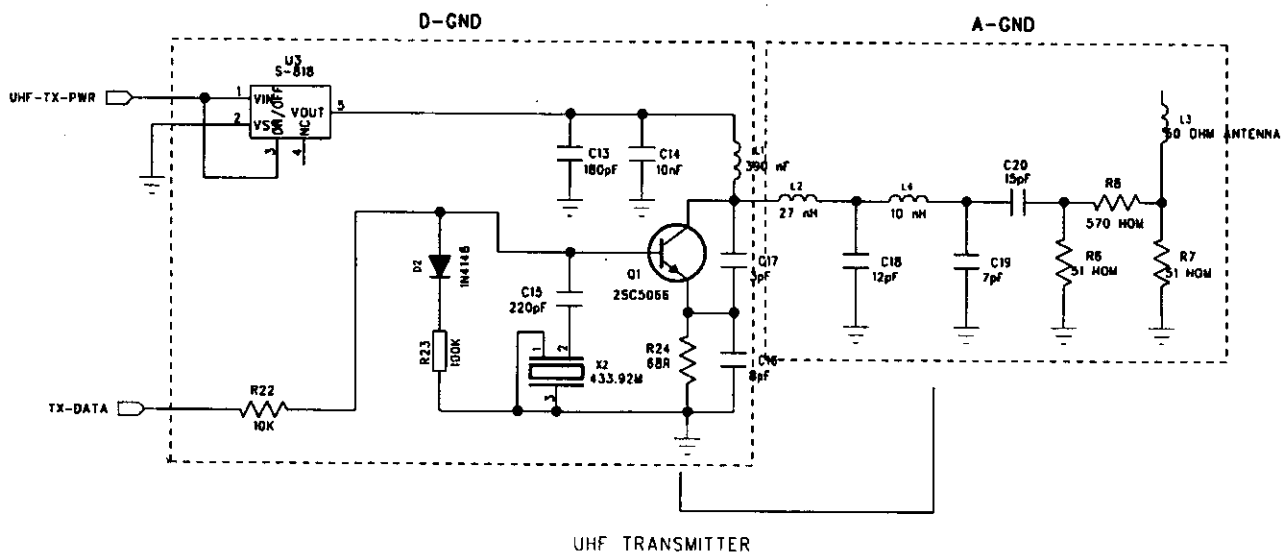
4

3

2

1

ISSUE	REVISION	DATE	MADE BY	APPROVED BY
1.0	FIRST RELEASE FOR PRODUCTION	MAR/13/02	Y.SUN	EDDY



UHF TRANSMITTER

TITLE		SCHEMATIC DIAGRAM	
DOC NO.	LS00XXX	DIVISION	L C D
MODEL NO.	AWR128	DRAWN	Y.SUN
CAD REF.	GA128T0.SCH	CHKD	
PAGE	1 OF 1	APPD.	EDDY
IDT TECHNOLOGY LTD.			