

6

5

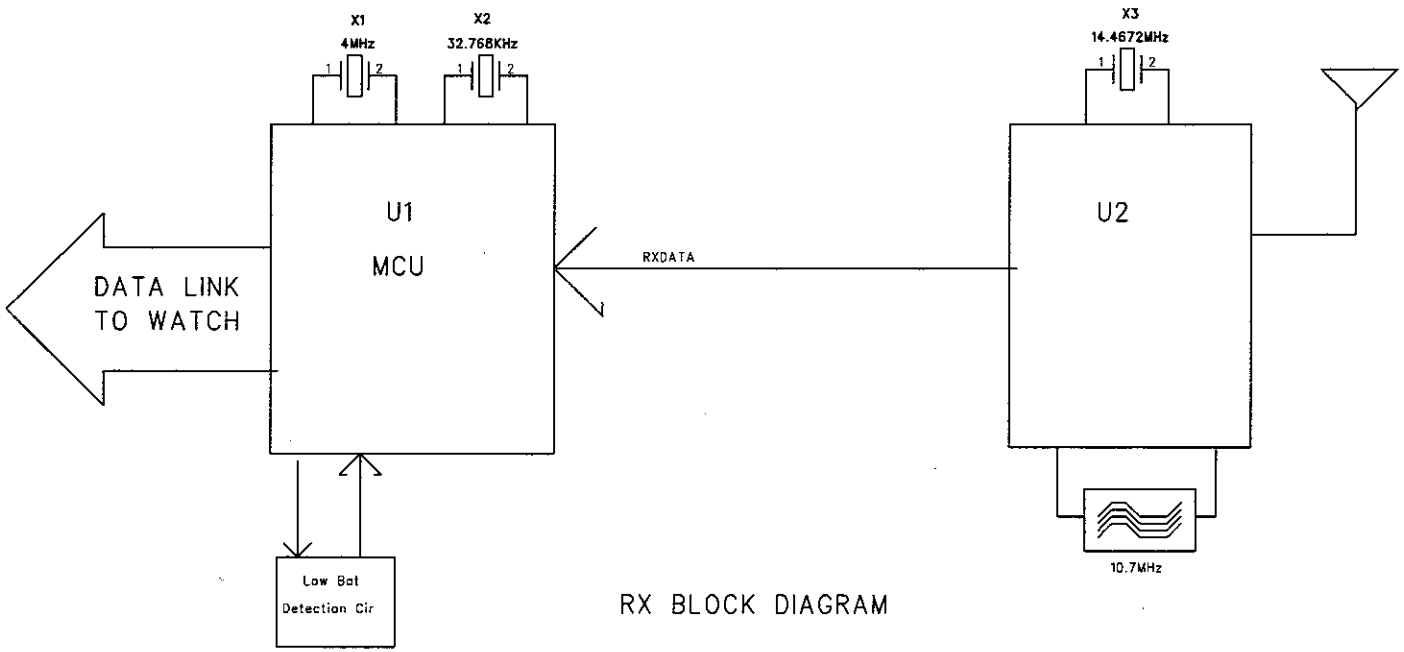
4

3

2

1

ISSUE	REVISION	DATE:	MADE BY	APPROVED BY



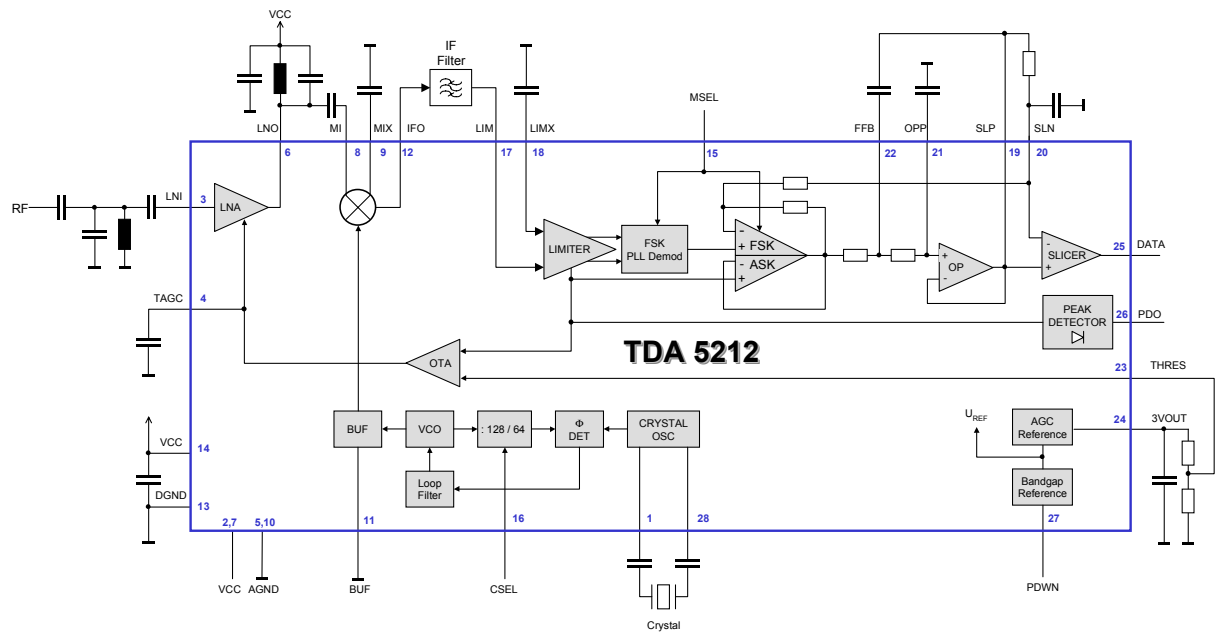
RX BLOCK DIAGRAM

TITLE		SCHEMATIC DIAGRAM	
DOC NO.	LSXXXXX	DIVISION	L C D
MODEL NO.		DRAWN	
CAD REF.		CHKD	
PAGE	OF	APPD.	
INTEGRATED DISPLAY TECHNOLOGY LTD.			

D
C
B
A

D
C
B
A

3.3 Functional Block Diagram



Functional_diagram_5212.wmt

Figure 3-2 Main Block Diagram