

## **Product Description**

The Equipment Under Test (EUT) is a Bicycle Meter Receiver operating at 915MHz ISM band. The EUT is powered by 6.0V DC.( 2 x 3 V CR2032 ). After power on the EUT will search for transmitter that operate at 915MHz band, once the transmitters are locked, it will switch on periodically to receive the speed or cadence data. The U1 is the MCU that is used to process the received data and redirect them to the watch unit, the U2 is a integrated FSK receiver that operate at 915MHz.



# Wireless Components

ASK/FSK 915MHz Single Conversion Receiver

TDA 5212 Version 1.0

Specification March 2000

preliminary

<b>Revision History</b>		
Current Version: 1.0 as of 27.03.00		
Previous Version: none		
Page (in previous Version)	Page (in current Version)	Subjects (major changes since last revision)

ABM®, AOP®, ARCOFI®, ARCOFI®-BA, ARCOFI®-SP, DigiTape®, EPIC®-1, EPIC®-S, ELIC®, FALC®54, FALC®56, FALC®-E1, FALC®-LH, IDEC®, IOM®, IOM®-1, IOM®-2, IPAT®-2, ISAC®-P, ISAC®-S, ISAC®-S TE, ISAC®-P TE, ITAC®, IWE®, MUSAC®-A, OCTAT®-P, QUAT®-S, SICAT®, SICOFI®, SICOFI®-2, SICOFI®-4, SICOFI®-4μC, SLICOFI® are registered trademarks of Infineon Technologies AG.

ACE™, ASM™, ASP™, POTSWIRE™, QuadFALC™, SCOUT™ are trademarks of Infineon Technologies AG.

**Edition 03.00**

**Published by Infineon Technologies AG,  
Balanstraße 73,  
81541 München**

© Infineon Technologies AG March 2000.  
All Rights Reserved.

**Attention please!**

As far as patents or other rights of third parties are concerned, liability is only assumed for components, not for applications, processes and circuits implemented within components or assemblies.

The information describes the type of component and shall not be considered as assured characteristics.

Terms of delivery and rights to change design reserved.

Due to technical requirements components may contain dangerous substances. For information on the types in question please contact your nearest Infineon Technologies Office.

Infineon Technologies AG is an approved CECC manufacturer.

**Packing**

Please use the recycling operators known to you. We can also help you – get in touch with your nearest sales office. By agreement we will take packing material back, if it is sorted. You must bear the costs of transport.

For packing material that is returned to us unsorted or which we are not obliged to accept, we shall have to invoice you for any costs incurred.

**Components used in life-support devices or systems must be expressly authorized for such purpose!**

Critical components<sup>1</sup> of the Infineon Technologies AG, may only be used in life-support devices or systems<sup>2</sup> with the express written approval of the Infineon Technologies AG.

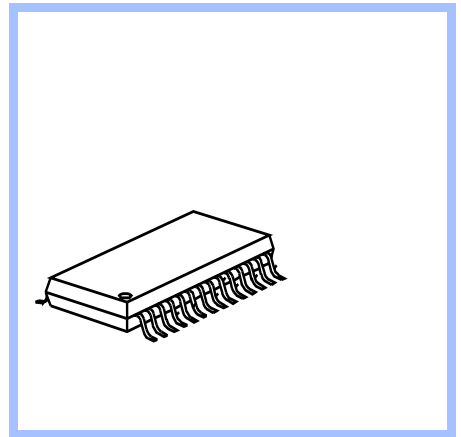
- 1 A critical component is a component used in a life-support device or system whose failure can reasonably be expected to cause the failure of that life-support device or system, or to affect its safety or effectiveness of that device or system.
- 2 Life support devices or systems are intended (a) to be implanted in the human body, or (b) to support and/or maintain and sustain human life. If they fail, it is reasonable to assume that the health of the user may be endangered.

## Product Info

### General Description

The IC is a very low power consumption single chip FSK/ASK Superheterodyne Receiver (SHR) for the receive frequency range between 910 and 920 MHz that is pin compatible to the ASK Receiver TDA5202. The IC offers a high level of integration and needs only a few external components. The device contains a low noise amplifier (LNA), a double balanced mixer, a fully integrated VCO, a PLL synthesiser, a crystal oscillator, a limiter with RSSI generator, a PLL FSK demodulator, a data filter, a data comparator (slicer) and a peak detector. Additionally there is a power down feature to save battery life.

### Package



### Features

- Low supply current ( $I_s = 5.4$  mA typ. in FSK mode,  $I_s = 4.8$  mA typ. in ASK mode)
- Supply voltage range 5 V  $\pm 10\%$
- Power down mode with very low supply current (90 nA typ.)
- FSK and ASK demodulation capability
- Fully integrated VCO and PLL Synthesiser
- ASK sensitivity better than -109 dBm over specified temperature range (- 40 to +85°C)
- Receive frequency range 910 to 920 MHz
- Limiter with RSSI generation, operating at 10.7 MHz
- Selectable reference frequency
- 2nd order low pass data filter with external capacitors
- Data slicer with self-adjusting threshold
- FSK sensitivity better than -102 dBm over specified temperature range (- 40 to +85°C)

### Application

- Keyless Entry Systems
- Remote Control Systems
- Low Bitrate ISM-band Communication Systems

### Ordering Information

Type	Ordering Code	Package
TDA 5212		P-TSSOP-28-1
samples available		

# 1 Table of Contents

<b>1 Table of Contents</b> .....	i
<b>2 Product Description</b> .....	2-1
2.1 Overview .....	2-2
2.2 Application .....	2-2
2.3 Features .....	2-2
2.4 Package Outlines .....	2-3
<b>3 Functional Description</b> .....	3-1
3.1 Pin Configuration .....	3-2
3.2 Pin Definition and Function .....	3-3
3.3 Functional Block Diagram .....	3-9
3.4 Functional Blocks .....	3-10
3.4.1 Low Noise Amplifier (LNA) .....	3-10
3.4.2 Mixer .....	3-10
3.4.3 PLL Synthesizer .....	3-10
3.4.4 Crystal Oscillator .....	3-11
3.4.5 Limiter .....	3-11
3.4.6 FSK Demodulator .....	3-11
3.4.7 Data Filter .....	3-12
3.4.8 Data Slicer .....	3-12
3.4.9 Peak Detector .....	3-12
3.4.10 Bandgap Reference Circuitry .....	3-13

<b>4 Applications</b> .....	4-1
4.1 Choice of LNA Threshold Voltage and Time Constant. ....	4-2
4.2 Data Filter Design. ....	4-4
4.3 Crystal Load Capacitance Calculation .....	4-5
4.4 Crystal Frequency Calculation .....	4-6
4.5 Data Slicer Threshold Generation .....	4-7
4.6 ASK/FSK Switch Functional Description .....	4-8
4.6.1 FSK Mode. ....	4-8
4.6.2 ASK Mode .....	4-10
4.7 Principle of the Precharge Circuit. ....	4-11
<b>5 Reference</b> .....	5-1
5.1 Electrical Data .....	5-2
5.1.1 Absolute Maximum Ratings .....	5-2
5.1.2 Operating Range .....	5-3
5.1.3 AC/DC Characteristics .....	5-4
5.2 Test Circuit .....	5-9
5.3 Test Board Layouts .....	5-10
5.4 Bill of Materials .....	5-12
<b>6 List of Figures</b> .....	i
<b>7 List of Tables</b> .....	i

# 2 Product Description

## Contents of this Chapter

2.1	Overview . . . . .	2-2
2.2	Application . . . . .	2-2
2.3	Features . . . . .	2-2
2.4	Package Outlines . . . . .	2-3

## 2.1 Overview

The IC is a very low power consumption single chip FSK/ASK Superheterodyne Receiver (SHR) for receive frequencies between 910 and 920 MHz that is pin compatible to the ASK Receiver TDA5202. The IC offers a high level of integration and needs only a few external components. The device contains a low noise amplifier (LNA), a double balanced mixer, a fully integrated VCO, a PLL synthesiser, a crystal oscillator, a limiter with RSSI generator, a PLL FSK demodulator, a data filter, a data comparator (slicer) and a peak detector. Additionally there is a power down feature to save battery life.

## 2.2 Application

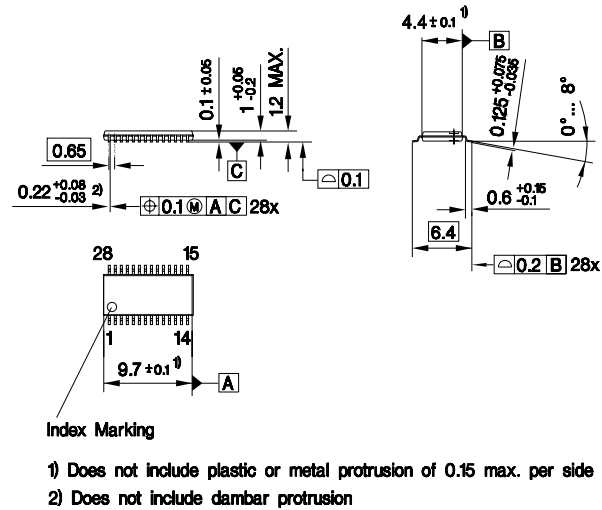
- Keyless Entry Systems
- Remote Control Systems
- Low Bitrate ISM-band Communication Systems

## 2.3 Features

- Low supply current ( $I_s = 5.4$  mA typ.FSK mode, 4.8 mA typ. ASK mode)
- Supply voltage range  $5V \pm 10\%$
- Power down mode with very low supply current (90nA typ.)
- FSK and ASK demodulation capability
- Fully integrated VCO and PLL Synthesiser
- RF input sensitivity ASK -112dBm typ. at 25°C, better than -109dBm over complete specified operating temperature range (-40 to +85°C)
- RF input sensitivity FSK -105dBm typ. at 25°C, better than -102dBm over complete specified operating temperature range (-40 to +85°C)
- Receive frequency range between 910 and 920 MHz
- Selectable reference frequency
- Limiter with RSSI generation, operating at 10.7MHz
- 2nd order low pass data filter with external capacitors
- Data slicer with self-adjusting threshold



## 2.4 Package Outlines



P\_TSSOP\_28.EPS

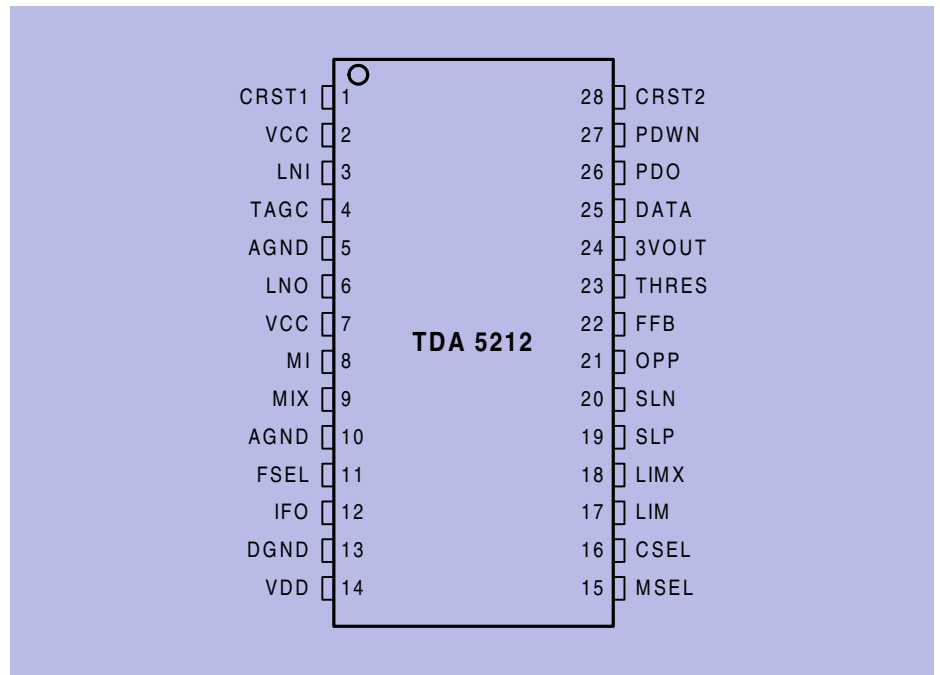
Figure 2-1 P-TSSOP-28-1 package outlines

# 3 Functional Description

## Contents of this Chapter

3.1	Pin Configuration .....	3-2
3.2	Pin Definition and Function.....	3-3
3.3	Functional Block Diagram.....	3-9
3.4	Functional Blocks .....	3-10

### 3.1 Pin Configuration

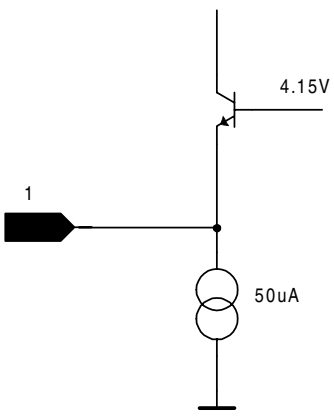
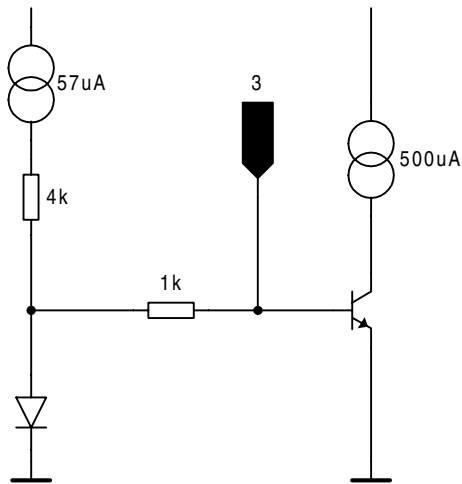


Pin\_Configuration\_5212\_V1.0.wmf

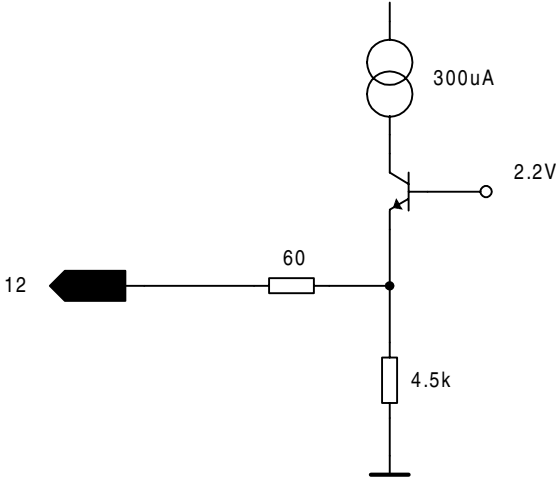
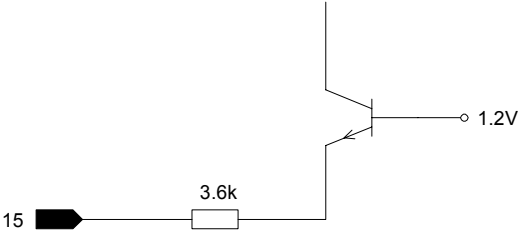
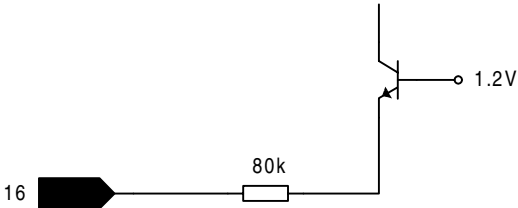
Figure 3-1 IC Pin Configuration

### 3.2 Pin Definition and Function

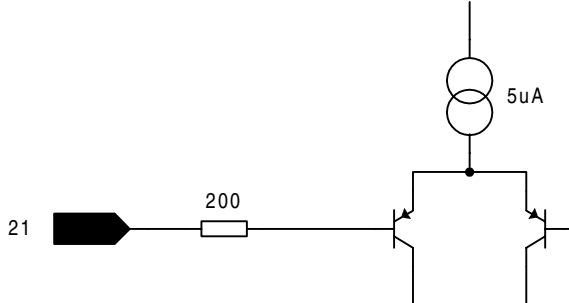
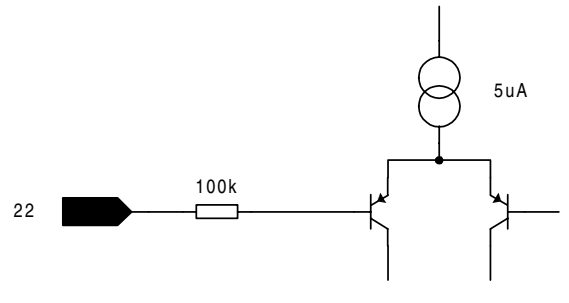
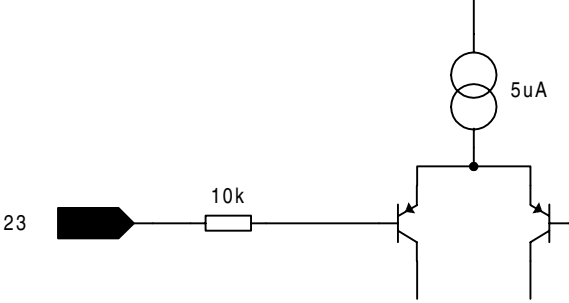
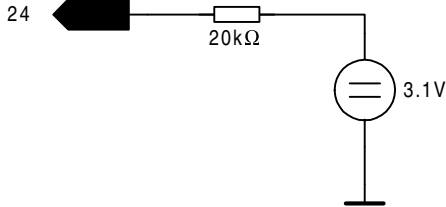
Table 3-1 Pin Definition and Function

Pin No.	Symbol	Equivalent I/O-Schematic	Function
1	CRST1		External Crystal Connector 1
2	VCC		5V Supply
3	LNI		LNA Input

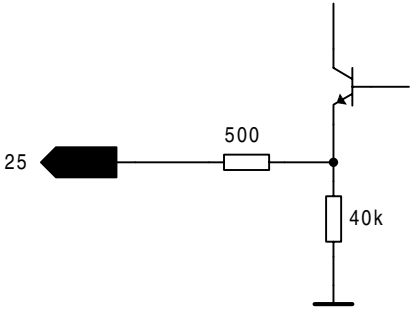
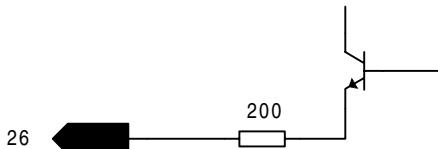
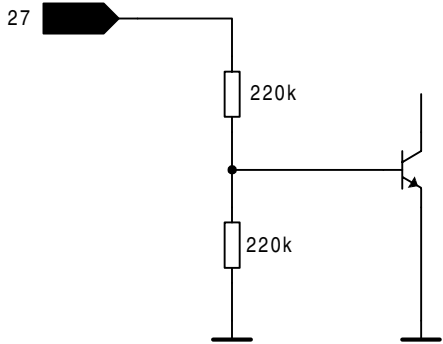
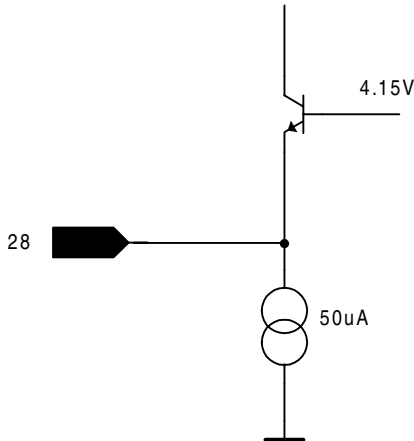
4	TAGC		AGC Time Constant Control
5	AGND		Analogue Ground Return
6	LNO		LNA Output
7	VCC		5V Supply
8	MI		Mixer Input
9	MIX		Complementary Mixer Input
10	AGND		Analogue Ground Return
11	BUF		Mixer Buffer Ground

12	IFO		10.7 MHz IF Mixer Output
13	DGND		Digital Ground Return
14	VDD		5V Supply (PLL Counter Circuitry)
15	MSEL		ASK/FSK Modulation Format Selector
16	CSEL		7.xx or 14.xx MHz Quartz Selector

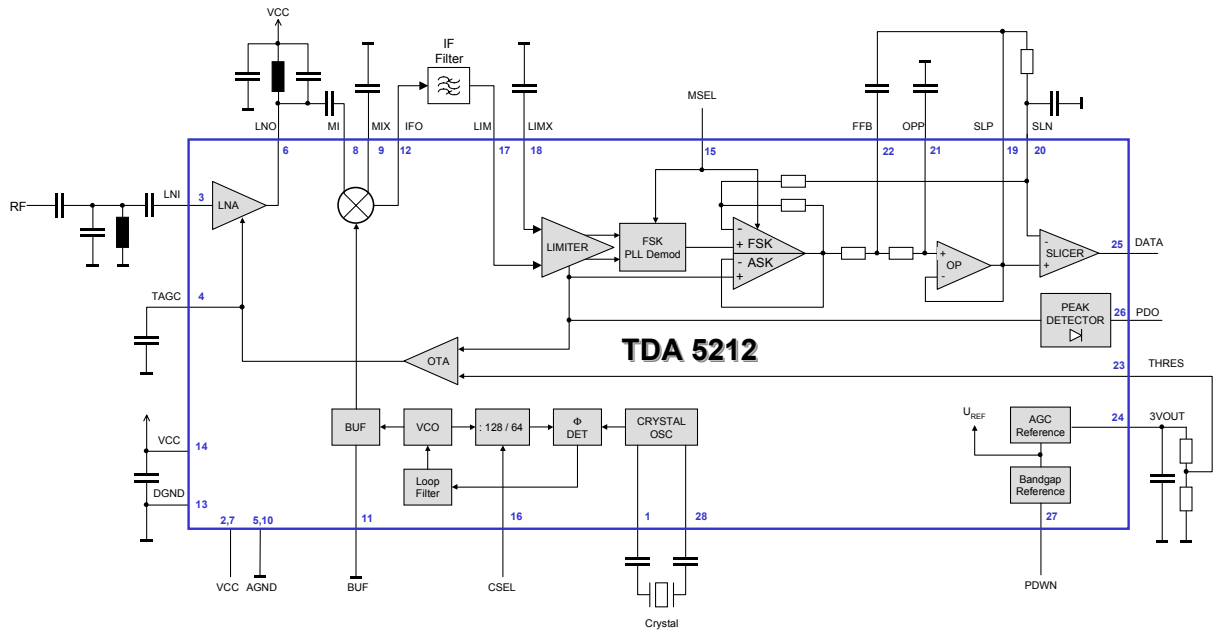
<p>17 18</p>	<p>LIM LIMX</p>		<p>Limiter Input Complementary Limiter Input</p>
<p>19</p>	<p>SLP</p>		<p>Data Slicer Positive Input</p>
<p>20</p>	<p>SLN</p>		<p>Data Slicer Negative Input</p>

<p>21</p> <p>OPP</p>		<p>OpAmp Noninverting Input</p>
<p>22</p> <p>FFB</p>		<p>Data Filter Feedback Pin</p>
<p>23</p> <p>THRES</p>		<p>AGC Threshold Input</p>
<p>24</p> <p>3VOUT</p>		<p>3V Reference Output</p>



25	DATA		Data Output
26	PDO		Peak Detector Output
27	PDWN		Power Down Input
28	CRST2		External Crystal Connector 2

### 3.3 Functional Block Diagram



Functional\_diagram\_5212.wmt

Figure 3-2 Main Block Diagram

## 3.4 Functional Blocks

### 3.4.1 Low Noise Amplifier (LNA)

The LNA is an on-chip cascode amplifier with a voltage gain of 15 to 20dB. The gain figure is determined by the external matching networks situated ahead of LNA and between the LNA output **LNO** (Pin 6) and the Mixer Inputs **MI** and **MIX** (Pins 8 and 9). The noise figure of the LNA is approximately 2dB, the current consumption is 500 $\mu$ A. The gain can be reduced by approximately 18dB. The switching point of this AGC action can be determined externally by applying a threshold voltage at the **THRES** pin (Pin 23). This voltage is compared internally with the received signal (RSSI) level generated by the limiter circuitry. In case that the RSSI level is higher than the threshold voltage the LNA gain is reduced and vice versa. The threshold voltage can be generated by attaching a voltage divider between the **3VOUT** pin (Pin 24) which provides a temperature stable 3V output generated from the internal bandgap voltage and the **THRES** pin as described in Section 4.1. The time constant of the AGC action can be determined by connecting a capacitor to the **TAGC** pin (Pin 4) and should be chosen along with the appropriate threshold voltage according to the intended operating case and interference scenario to be expected during operation. The optimum choice of AGC time constant and the threshold voltage is described in Section 4.1.

### 3.4.2 Mixer

The Double Balanced Mixer downconverts the input frequency (RF) in the range of 910 to 920 MHz to the intermediate frequency (IF) at 10.7MHz with a voltage gain of approximately 21dB. A low pass filter with a corner frequency of 20MHz is built on chip in order to suppress RF signals to appear at the IF output (**IFO** pin). The IF output is internally consisting of an emitter follower that has a source impedance of approximately 330  $\Omega$  to facilitate interfacing the pin directly to a standard 10.7MHz ceramic filter without additional matching circuitry.

### 3.4.3 PLL Synthesizer

The Phase Locked Loop synthesiser consists of a VCO, an asynchronous divider chain, a phase detector with charge pump and a loop filter and is fully implemented on-chip. The VCO is including spiral inductors and varactor diodes. The oscillator signal is fed both to the synthesiser divider chain and to the downconverting mixer via a buffer amplifier. The **BUF** pin (Pin 11) has to be tied to ground. No additional components are necessary. The loop filter is also realised fully on-chip. High-side injection of the local oscillator has to be used for the receive frequency band of 910 to 920 MHz, yielding local oscillator frequencies in the region of 920 to 930 MHz. See also Section 4.4.

### 3.4.4 Crystal Oscillator

The on-chip crystal oscillator circuitry allows for utilisation of quartzes both in the 7 and 14MHz range as the overall division ratio of the PLL can be switched between 64 and 128 via the **CSEL** (Pin 16 ) pin according to the following table.

Table 3-2 CSEL Pin Operating States	
CSEL	Crystal Frequency
Open	7.xx MHz
Shorted to ground	14.xx MHz

The calculation of the value of the necessary quartz load capacitance is shown in Section 4.3, the quartz frequency calculation is explained in Section 4.4.

### 3.4.5 Limiter

The Limiter is an AC coupled multistage amplifier with a cumulative gain of approximately 80dB that has a bandpass-characteristic centred around 10.7MHz. It has an input impedance of 330  $\Omega$  to allow for easy interfacing to a 10.7MHz ceramic IF filter. The limiter circuit acts as a Receive Signal Strength Indicator (RSSI) generator which produces a DC voltage that is directly proportional to the input signal level as can be seen in Figure 4-2. This signal is used to demodulate the ASK receive signal in the subsequent baseband circuitry and to turn down the LNA gain by approximately 18dB in case the input signal strength is too strong as described in Section 3.4.1 and Section 4.1.

### 3.4.6 FSK Demodulator

To demodulate frequency shift keyed (FSK) signals a PLL circuit is used that is contained fully on chip. The Limiter output differential signal is fed to the linear phase detector as is the output of the 10.7 MHz center frequency VCO. The demodulator gain is typically 180 $\mu$ V/kHz. The passive loop filter output that is comprised fully on chip is fed to both the VCO and the modulation format switch. This signal is representing the demodulated signal. This switch is actually a switchable amplifier with an AC gain of 11 that is controlled by the **MSEL** pin (Pin 15) as shown in the following table. This gain was chosen to facilitate detection in the subsequent circuits.

Table 3-3 MSEL Pin Operating States	
MSEL	Modulation Format
Open	ASK
Shorted to ground	FSK

The DC gain is 1 in order not to saturate the subsequent Data Filter with the DC offset produced by the demodulator in case of large frequency offsets of the IF signal. The resulting frequency characteristic and details on the principle of operation of the switch are described in Section 4.6. The demodulator circuit is switched off in case of reception of ASK signals.

### 3.4.7 Data Filter

The data filter comprises an OP-Amp with a bandwidth of 100kHz used as a voltage follower and two 100k $\Omega$  on-chip resistors. Along with two external capacitors a 2nd order Sallen-Key low pass filter is formed. The selection of the capacitor values is described in Section 4.2.

### 3.4.8 Data Slicer

The data slicer is a fast comparator with a bandwidth of 100 kHz. This allows for a maximum receive data rate of approximately 120kBaud. The maximum achievable data rate also depends on the IF Filter bandwidth and the local oscillator tolerance values. Both inputs are accessible. The output delivers a digital data signal (CMOS-like levels) for the detector. The self-adjusting threshold on pin 20 is generated by RC-term or peak detector depending on the baseband coding scheme. The data slicer threshold generation alternatives are described in more detail in Section 4.5.

### 3.4.9 Peak Detector

The peak detector generates a DC voltage which is proportional to the peak value of the receive data signal. An external RC network is necessary. The input is connected to the output of the RSSI-output of the Limiter, the output is connected to the **PDO** pin (Pin 26 ). This output can be used as an indicator for the received signal strength to use in wake-up circuits and as a reference for the data slicer in ASK mode. The output current is typically 850 $\mu$ A, the leakage current is typically 700nA. Note that the RSSI level is also output in case of FSK mode.

### 3.4.10 Bandgap Reference Circuitry

A Bandgap Reference Circuit provides a temperature stable reference voltage for the device. A power down mode is available to switch off all subcircuits which is controlled by the **PWDN** pin (Pin 27) as shown in the following table. The supply current drawn in this case is typically 90nA.

<b>PWDN</b>	<b>Operating State</b>
Open or tied to ground	Powerdown Mode
Tied to Vs	Receiver On

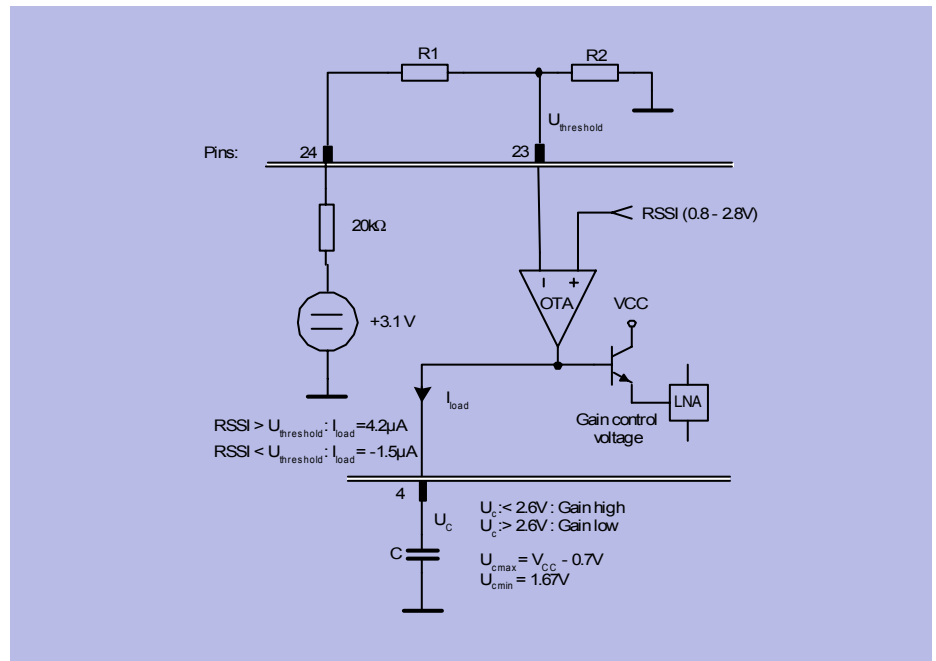
# 4 Applications

## Contents of this Chapter

4.1	Choice of LNA Threshold Voltage and Time Constant . . . . .	4-2
4.2	Data Filter Design . . . . .	4-4
4.3	Crystal Load Capacitance Calculation . . . . .	4-5
4.4	Crystal Frequency Calculation . . . . .	4-6
4.5	Data Slicer Threshold Generation . . . . .	4-7
4.6	ASK/FSK Switch Functional Description . . . . .	4-8
4.7	Principle of the Precharge Circuit . . . . .	4-11

## 4.1 Choice of LNA Threshold Voltage and Time Constant

In the following figure the internal circuitry of the LNA automatic gain control is shown.



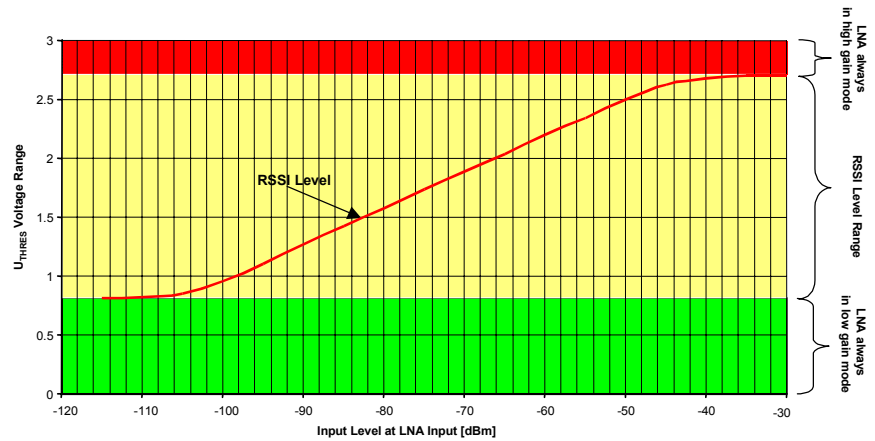
LNA\_autom.wmf

Figure 4-1 LNA Automatic Gain Control Circuitry

The LNA automatic gain control circuitry consists of an operational transimpedance amplifier that is used to compare the received signal strength signal (RSSI) generated by the Limiter with an externally provided threshold voltage  $U_{thres}$ . As shown in the following figure the threshold voltage can have any value between approximately 0.8 and 2.8V to provide a switching point within the receive signal dynamic range.

This voltage  $U_{thres}$  is applied to the **THRES** pin (Pin 23). The threshold voltage can be generated by attaching a voltage divider between the **3VOUT** pin (i.e. Pin 24) which provides a temperature stable 3V output generated from the internal bandgap voltage and the **THRES** pin. If the RSSI level generated by the Limiter is higher than  $U_{thres}$ , the OTA generates a positive current  $I_{load}$ . This yields a voltage rise on the **TAGC** pin (Pin 4). Otherwise, the OTA generates a negative current. These currents do not have the same values in order to achieve a fast-attack and slow-release action of the AGC and are used to charge an external capacitor which finally generates the LNA gain control voltage.





RSSI-AGC.wmf

Figure 4-2 RSSI Level and Permissible AGC Threshold Levels

The switching point should be chosen according to the intended operating scenario. The determination of the optimum point is described in the accompanying Application Note, a threshold voltage level of 1.8V is apparently a viable choice. It should be noted that the output of the **3VOUT** pin is capable of driving up to 50µA, but that the **THRES** pin input current is only in the region of 40nA. As the current drawn out of the **3VOUT** pin is directly related to the receiver power consumption, the power divider resistors should have high impedance values. The sum of R1 and R2 has to be 600kΩ in order to yield 3V at the **3VOUT** pin. R1 can thus be chosen as 240kΩ, R2 as 360kΩ to yield an overall **3VOUT** output current of 5µA<sup>1</sup> and a threshold voltage of 1.8V

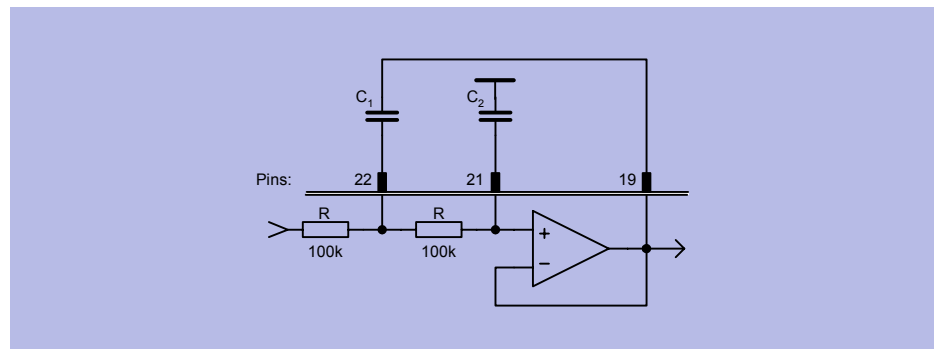
**Note:** If the LNA gain shall be kept in either high or low gain mode this has to be accomplished by tying the **THRES** pin to a fixed voltage. In order to achieve high gain mode operation, a voltage higher than 2.8V shall be applied to the **THRES** pin, such as a short to the **3VOLT** pin. In order to achieve low gain mode operation a voltage lower than 0.7V shall be applied to the **THRES**, such as a short to ground.

As stated above the capacitor connected to the **TAGC** pin is generating the gain control voltage of the LNA due to the charging and discharging currents of the OTA and thus is also responsible for the AGC time constant. As the charging and discharging currents are not equal two different time constants will result. The time constant corresponding to the charging process of the capacitor shall be chosen according to the data rate. According to measurements performed at Infineon the capacitor value should be greater than 47nF.

1. note the 20kΩ resistor in series with the 3.1V internal voltage source

## 4.2 Data Filter Design

Utilising the on-board voltage follower and the two 100kΩ on-chip resistors a 2nd order Sallen-Key low pass data filter can be constructed by adding 2 external capacitors between pins 19 (SLP) and 22 (FFB) and to pin 21 (OPP) as depicted in the following figure and described in the following formulas<sup>1</sup>.



Filter\_Design.wmf

Figure 4-3 Data Filter Design

(1)

$$C_1 = \frac{2Q\sqrt{b}}{R^2\Pi f_{3dB}}$$

(2)

$$C_2 = \frac{\sqrt{b}}{4QR\Pi f_{3dB}}$$

with

$$Q = \frac{\sqrt{b}}{a}$$

(3) the quality factor of the poles

where

in case of a Bessel filter

$$a = 1.3617, b = 0.618$$

and thus

$$Q = 0.577$$

and in case of a Butterworth filter

$$a = 1.141, b = 1$$

and thus

$$Q = 0.71$$

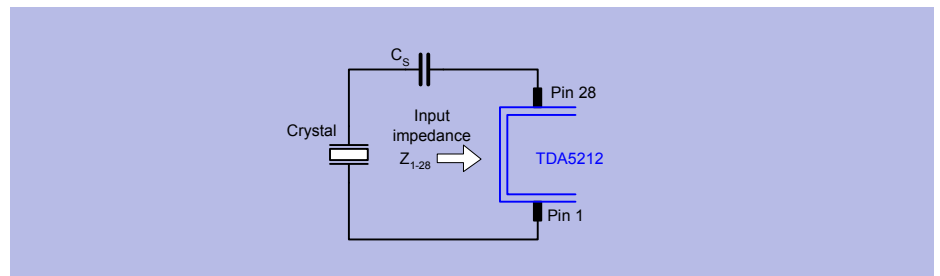
Example: Butterworth filter with  $f_{3dB} = 5\text{kHz}$  and  $R = 100\text{k}\Omega$ :

$$C_1 = 450\text{pF}, C_2 = 225\text{pF}$$

1. taken from Tietze/Schenk: Halbleiterschaltungstechnik, Springer Berlin, 1999

### 4.3 Crystal Load Capacitance Calculation

The value of the capacitor necessary to achieve that the crystal oscillator is operating at the intended frequency is determined by the reactive part of the negative resistance of the oscillator circuit as shown in Section 5.1.3 and by the crystal specifications given by the crystal manufacturer.



Quartz\_load\_5212.wmf

Figure 4-4 Determination of Series Capacitance Value for the Crystal Oscillator

Crystal specified with load capacitance

$$C_s = \frac{1}{\frac{1}{C_l} + 2\pi f X_L}$$

with  $C_l$  the load capacitance (refer to the crystal specification).

Examples:

7.2 MHz:  $C_L = 12 \text{ pF}$      $X_L = 500 \ \Omega$      $C_S = 9.5 \text{ pF}$

14.5 MHz:  $C_L = 12 \text{ pF}$      $X_L = 1050 \ \Omega$      $C_S = 5.6 \text{ pF}$

These values may be obtained in high accuracy by putting two capacitors in series to the quartz, such as 18pF and 20pF in the 7.2MHz case and 18pF and 8.2pF in the 14.5MHz case.

## 4.4 Crystal Frequency Calculation

The local oscillator (UHF PLL) signal has to be high-side injected into the down-converting mixer. Thus the crystal frequency is calculated by using the following formula:

$$f_{QU} = (f_{RF} + 10.7) / r$$

with

- $f_{RF}$  .... receive frequency
- $f_{LO}$  .... local oscillator (PLL) frequency ( $f_{RF} + 10.7$ )
- $f_{QU}$  .... crystal oscillator frequency
- $r$  .... ratio of local oscillator (PLL) frequency and crystal frequency as shown in the subsequent table.

Table 4-1 PLL Division Ratio Dependence on States of CSEL	
CSEL	Ratio $r = (f_{LO}/f_{QU})$
open	128
GND	64

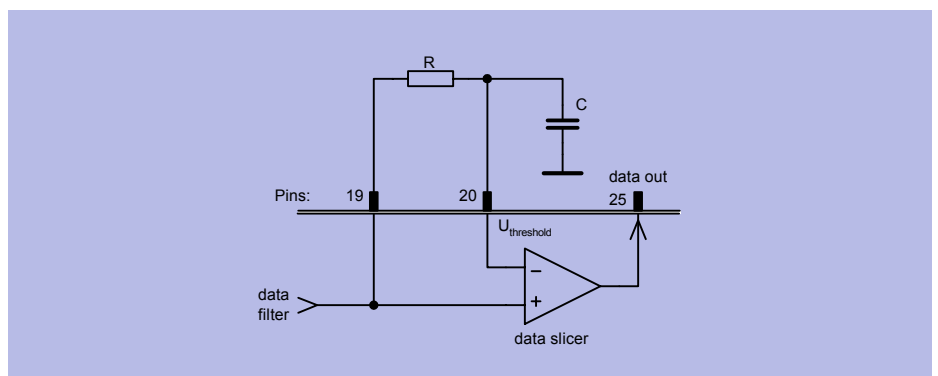
This yields the following example:

CSEL tied to GND:

$$f_{QU} = (915\text{MHz} + 10.7\text{MHz}) / 64 = 14.4641\text{MHz}$$

## 4.5 Data Slicer Threshold Generation

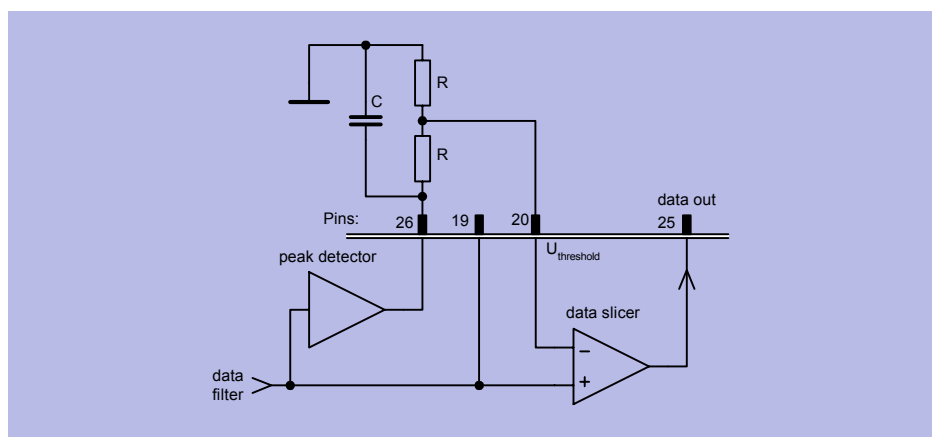
The threshold of the data slicer can be generated in two ways, depending on the signal coding scheme used. In case of a signal coding scheme without DC content such as Manchester coding the threshold can be generated using an external R-C integrator as shown in the following . The cut-off frequency of the R-C integrator has to be lower than the lowest frequency appearing in the data signal. In order to keep distortion low, the minimum value for R is 20kΩ.



Data\_slice1.wmf

Figure 4-5 Data Slicer Threshold Generation with External R-C Integrator

Another possibility for threshold generation is to use the peak detector in connection with two resistors and one capacitor as shown in the following figure. The component values are depending on the coding scheme and the protocol used.

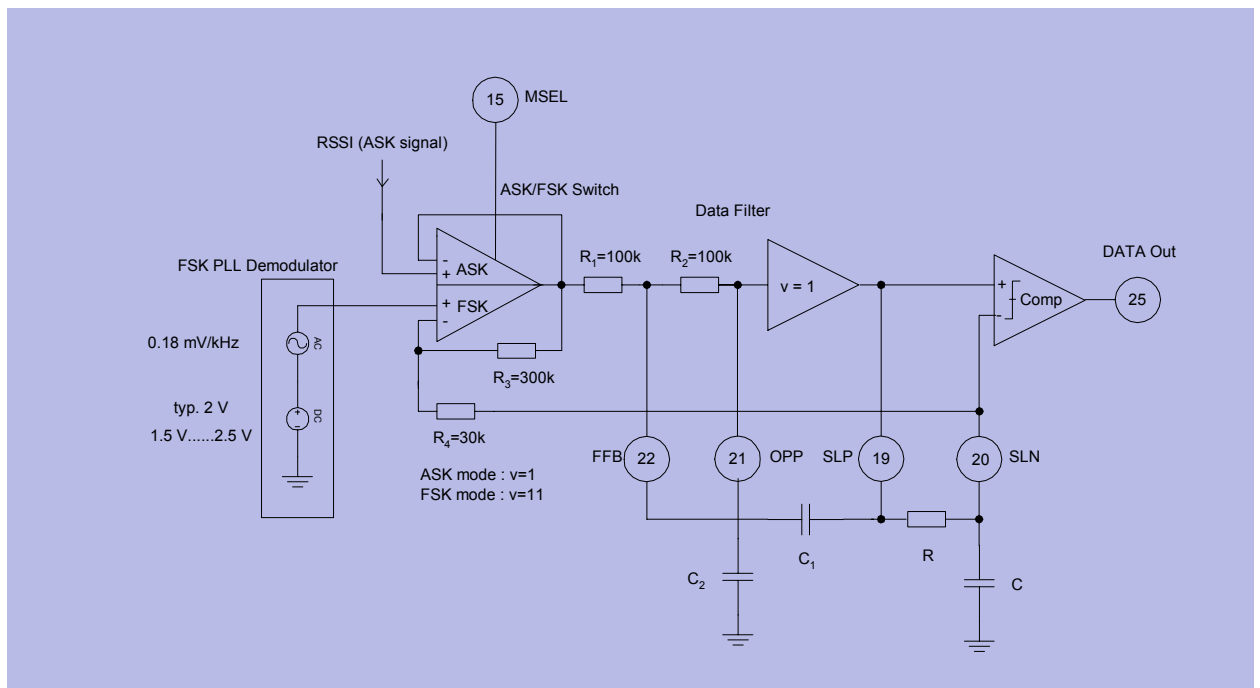


Data\_slice2.wmf

Figure 4-6 Data Slicer Threshold Generation Utilising the Peak Detector

## 4.6 ASK/FSK Switch Functional Description

The TDA5211 is containing an ASK/FSK switch which can be controlled via Pin 15 (MSEL). This switch is actually consisting of 2 operational amplifiers that are having a gain of 1 in case of the ASK amplifier and a gain of 11 in case of the FSK amplifier in order to achieve an appropriate demodulation gain characteristic. In order to compensate for the DC-offset generated especially in case of the FSK PLL demodulator there is a feedback connection between the threshold voltage of the bit slicer comparator (Pin 20) to the negative input of the FSK switch amplifier. This is shown in the figure below:



ask\_fsk\_datapath.WMF

Figure 4-7 ASK/FSK mode datapath

### 4.6.1 FSK Mode

The FSK datapath has a bandpass characteristic due to the feedback shown above (highpass) and the data filter (lowpass). The lower cutoff frequency  $f_2$  is determined by the external RC-combination. The upper cutoff frequency  $f_3$  is determined by the data filter bandwidth.

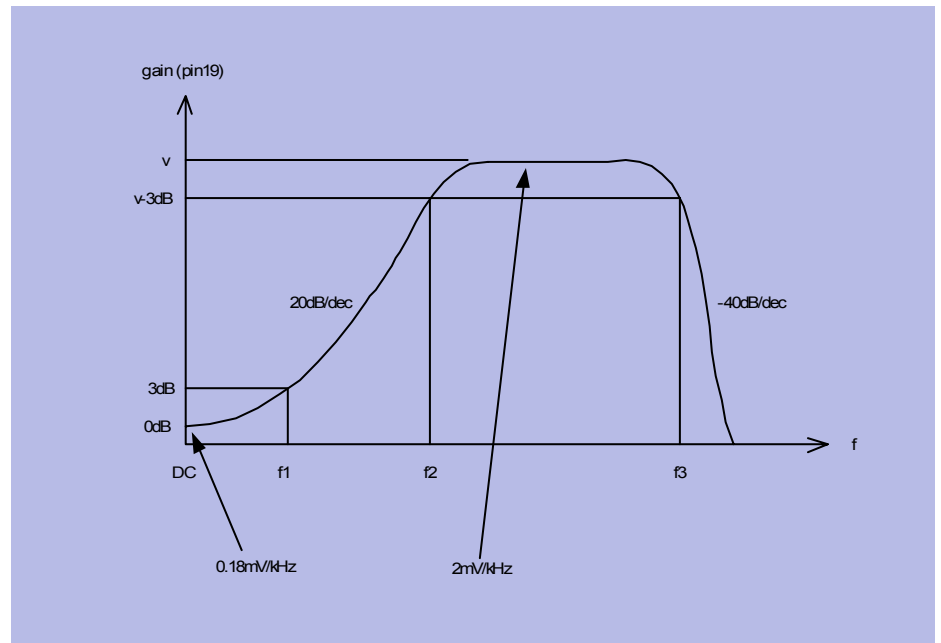
The demodulation gain of the FSK PLL demodulator is  $180\mu\text{V}/\text{kHz}$ . This gain is increased by the gain  $v$  of the FSK switch, which is 11. Therefore the resulting dynamic gain of this circuit is  $2\text{mV}/\text{kHz}$  within the bandpass. The gain for the DC

content of FSK signal remains at 180µV/kHz. The cutoff frequencies of the bandpass have to be chosen such that the spectrum of the data signal is influenced in an acceptable amount.

In case that the user data is containing long sequences of logical zeros the effect of the drift-off of the bit slicer threshold voltage can be lowered if the offset voltage inherent at the negative input of the slicer comparator (Pin20) is used. The comparator has no hysteresis built in.

This offset voltage is generated by the bias current of the negative input of the comparator (i.e. 20nA) running over the external resistor R. This voltage raises the voltage appearing at pin 20 (e.g. 1mV with R = 100kΩ). In order to obtain benefit of this asymmetrical offset for the demodulation of long zeros the lower of the two FSK frequencies should be chosen in the transmitter as the zero-symbol frequency.

In the following figure the shape of the above mentioned bandpass is shown.



frequenzgang.WMF

Figure 4-8 Frequency characteristic in case of FSK mode

The cutoff frequencies are calculated with the following formulas:

$$f_1 = \frac{1}{2\pi \frac{R \cdot 330k\Omega}{R + 330k\Omega} \cdot C}$$

$$f_2 = v \cdot f_1 = 11 \cdot f_1$$

$$f_3 = f_{3dB}$$

$f_3$  is the 3dB cutoff frequency of the data filter - see Section 4.2.

Example:

$R = 100k\Omega$

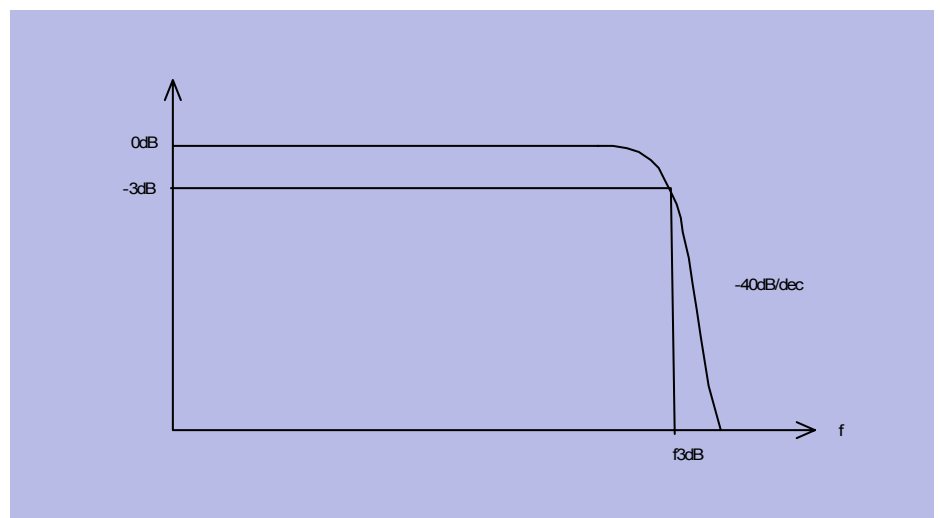
$C = 47nF$

This leads to  $f_1 = 44Hz$

and  $f_2 = 485Hz$

### 4.6.2 ASK Mode

In case the receiver is operated in ASK mode the datapath frequency characteristic is dominated by the data filter alone, thus it is lowpass shaped. The cutoff frequency is determined by the external capacitors C12 and C14 and the internal 100k resistors as described in Section 4.2



freq\_ask.WMF

Figure 4-9 Frequency characteristic in case of ASK mode



## 4.7 Principle of the Precharge Circuit

In case the data slicer threshold shall be generated with an external RC network as described in Section 4.5 it is necessary to use large values for the capacitor C attached to the **SLN** pin (pin 20) in order to achieve long time constants. This results also from the fact that the choice of the value for R connected between the **SLP** and **SLN** pins (pins 19 and 20) is limited by the 330kΩ resistor appearing in parallel to R as can be seen in Figure 4-6. Apart from this a resistor value of 100kΩ leads to a voltage offset of 1mv at the comparator input as described in Section 4.6.1. The resulting startup time constant  $\tau_1$  can be calculated with:

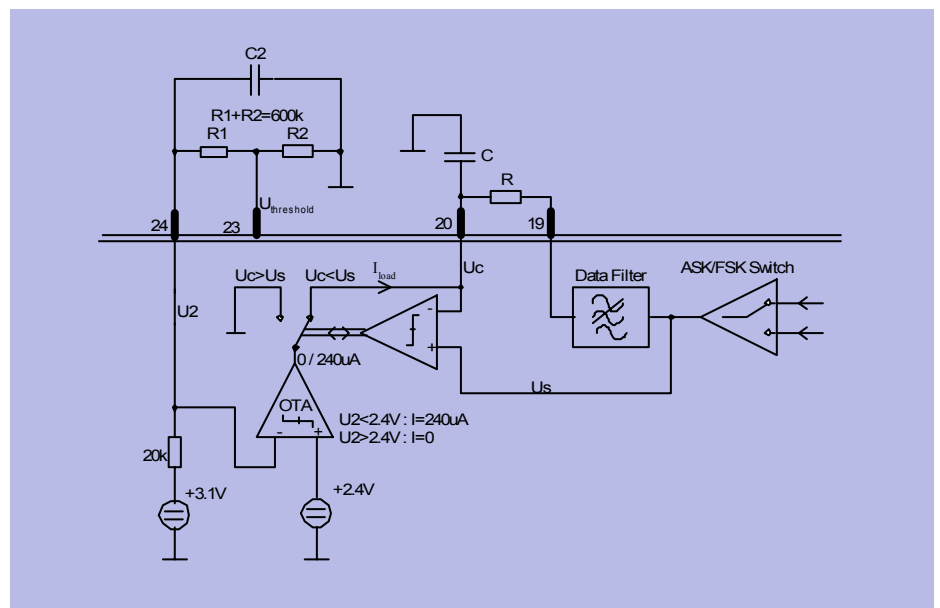
$$\tau_1 = (R // 330k\Omega) \cdot C$$

In case R is chosen to be 100kΩ and C is chosen as 47nF this leads to

$$\tau_1 = (100k\Omega // 330k\Omega) \cdot 47nF = 77k\Omega \cdot 47nF = 3.6ms$$

When the device is turned on this time constant dominates the time necessary for the device to be able to demodulate data properly. In the powerdown mode the capacitor is only discharged by leakage currents.

In order to reduce the turn-on time in the presence of large values of C a precharge circuit was included in the TDA5210 as shown in the following figure.



precharge.WMF

Figure 4-10 Principle of the precharge circuit

This circuit charges the capacitor C with an inrush current  $I_{load}$  of 240 $\mu$ A for a duration of  $T_2$  until the voltage  $U_c$  appearing on the capacitor is equal to the voltage  $U_s$  at the input of the data filter. This voltage is limited to 2.5V. As soon as these voltages are equal or the duration  $T_2$  is exceeded the precharge circuit is disabled.

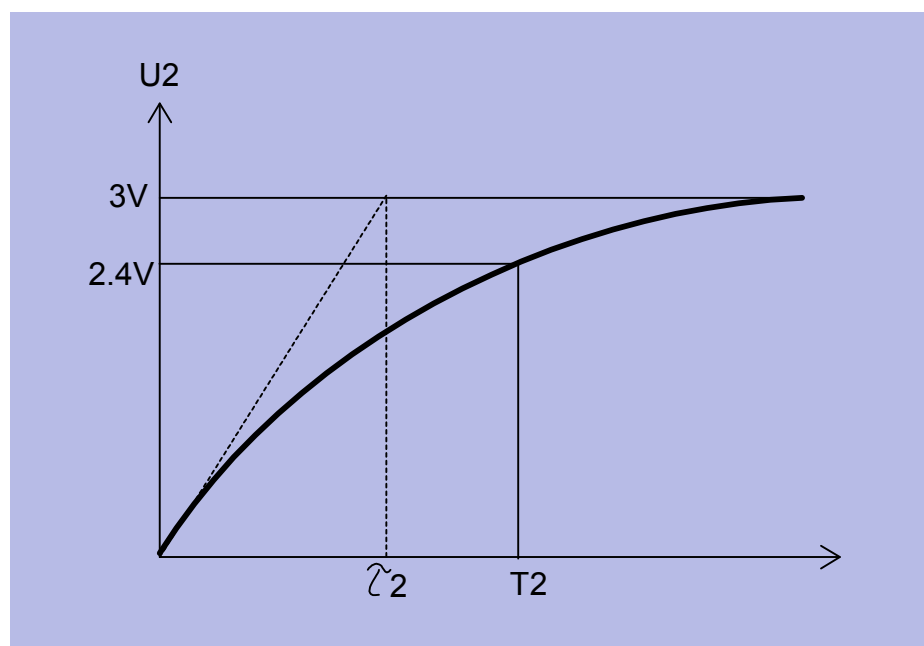
$\tau_2$  is the time constant of the charging process of C which can be calculated as

$$\tau_2 \approx 20k\Omega \cdot C2$$

as the sum of R1 and R2 is sufficiently large and thus can be neglected.  $T_2$  can then be calculated according to the following formula:

$$T_2 = \tau_2 \ln \left( \frac{1}{1 - \frac{2.4V}{3V}} \right) \approx \tau_2 \cdot 1.6$$

The voltage transient during the charging of C2 is shown in the following figure:



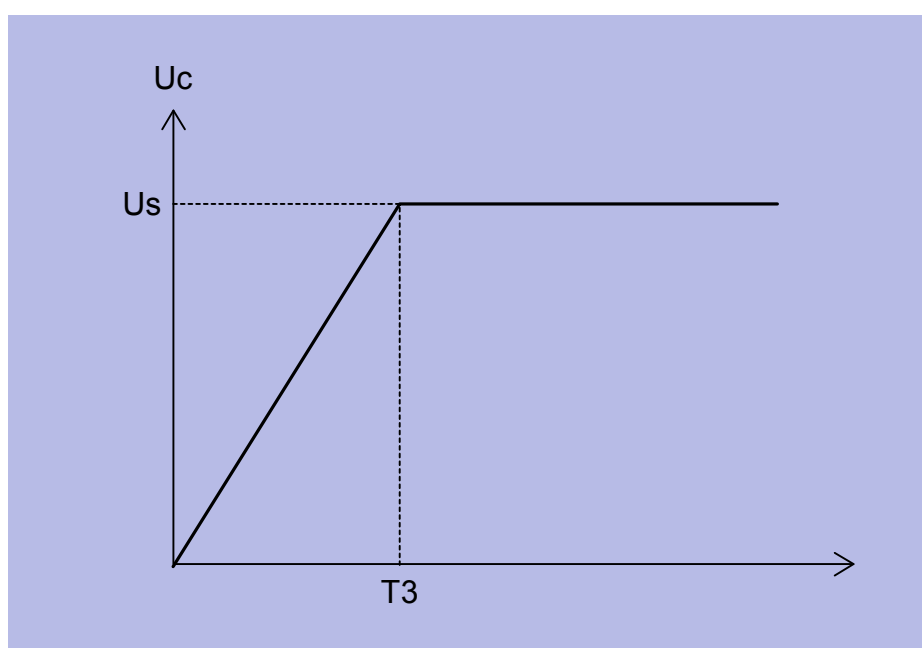
e-ikt1.WMF

Figure 4-11 Voltage appearing on C2 during precharging process

The voltage appearing on the capacitor C connected to pin 20 is shown in the following figure. It can be seen that due to the fact that it is charged by a constant current source it exhibits a linear increase in voltage which is limited to

$U_{S_{max}} = 2.5V$  which is also the approximate operating point of the data filter input. The time constant appearing in this case can be denoted as  $T_3$ , which can be calculated with

$$T_3 = \frac{U_{S_{max}} \cdot C}{240\mu A} = \frac{2.5V}{240\mu A} \cdot C$$



e-Fkt2.WMF

Figure 4-12 Voltage transient on capacitor C attached to pin 20

As an example the choice of  $C_2 = 20nF$  and  $C = 47nF$  yields

$$\tau_2 = 0.4ms$$

$$T_2 = 0.64ms$$

$$T_3 = 0.49ms$$

This means that in this case the inrush current could flow for a duration of 0.64ms but stops already after 0.49ms when the  $U_{S_{max}}$  limit has been reached.  $T_3$  should always be chosen to be shorter than  $T_2$ .

It has to be noted finally that during the turn-on duration  $T_2$  the overall device power consumption is increased by the  $240\mu A$  needed to charge C.

The precharge circuit may be disabled if C2 is not equipped. This yields a T2 close to zero. Note that the sum of R4 and R5 has to be 600k $\Omega$  in order to produce 3V at the THRES pin as this voltage is internally used also as the reference for the FSK demodulator.

# 5 Reference

## Contents of this Chapter

5.1	Electrical Data. . . . .	5-2
5.2	Test Circuit . . . . .	5-9
5.3	Test Board Layouts. . . . .	5-10
5.4	Bill of Materials . . . . .	5-12

## 5.1 Electrical Data

### 5.1.1 Absolute Maximum Ratings



#### WARNING

The maximum ratings may not be exceeded under any circumstances, not even momentarily and individually, as permanent damage to the IC will result.

**Table 5-1 Absolute Maximum Ratings, Ambient temperature  $T_{AMB} = -40^{\circ}\text{C} \dots +85^{\circ}\text{C}$**

#	Parameter	Symbol	Limit Values		Unit	Remarks
			min	max		
1	Supply Voltage	$V_s$	-0.3	5.5	V	
2	Junction Temperature	$T_j$	-40	+150	$^{\circ}\text{C}$	
3	Storage Temperature	$T_s$	-40	+125	$^{\circ}\text{C}$	
4	Thermal Resistance	$R_{thJA}$		114	K/W	
5	ESD integrity, all pins	$V_{ESD}$	-1	+1	kV	HBM according to MIL STD 883D, method 3015.7

## 5.1.2 Operating Range

Within the operating range the IC operates as explained in the circuit description. The AC/DC characteristic limits are not guaranteed.

Supply voltage:  $V_{CC} = 4.5V \dots 5.5V$

Table 5-2 Operating Range, Ambient temperature $T_{AMB} = -40^{\circ}C \dots +85^{\circ}C$								
#	Parameter	Symbol	Limit Values		Unit	Test Conditions	L	Item
			min	max				
1	Supply Current	$I_{SF}$ $I_{SA}$		6 5.4	mA mA	$f_{RF} = 915MHz$ , FSK Mode $f_{RF} = 915MHz$ , ASK Mode		
2	Receiver Input Level ASK FSK, frequ. dev. $\pm 50kHz$	$RF_{in}$	-109 -102	-13 -13	dBm dBm	@ source impedance $50\Omega$ , BER 2E-3, average power level, Manchester encoded datarate 4kBit, 280kHz IF Bandwidth	■	
3	LNI Input Frequency	$f_{RF}$	910	920	MHz			
4	MI/X Input Frequency	$f_{MI}$	910	920	MHz			
6	UHF Local Oscillator Frequency Range	$f_{LO}$	920	930	MHz			
7	3dB IF Frequency Range	$f_{IF -3dB}$	5	23	MHz			
8	Powerdown Mode On	$PWDN_{ON}$	0	0.8	V			
9	Powerdown Mode Off	$PWDN_{OFF}$	2	$V_S$	V			
10	Gain Control Voltage, LNA high gain state	$V_{THRES}$	2.8	$V_S$	V			
11	Gain Control Voltage, LNA low gain state	$V_{THRES}$	0	0.7V	V			

■ This value is guaranteed by design.

### 5.1.3 AC/DC Characteristics

AC/DC characteristics involve the spread of values guaranteed within the specified voltage and ambient temperature range. Typical characteristics are the median of the production. The device performance parameters marked with ■ were measured on an Infineon evaluation board as described in Section 5.2

**Table 5-3 AC/DC Characteristics with  $T_A$  25 °C,  $V_{VCC} = 4.5 \dots 5.5$  V**

#	Parameter	Symbol	Limit Values			Unit	Test Conditions	L	Item
			min	typ	max				
<b>Supply</b>									
<b>Supply Current</b>									
1	Supply current, standby mode	$I_{S\ PDWN}$		90	120	nA	Pin 27 (PDWN) open or tied to 0 V		
2	Supply current, device operating in FSK mode	$I_{SF}$		5.4	5.7	mA	Pin 11 (FSEL) open, Pin 15 (MSEL) tied to GND		
3	Supply current, device operating in ASK mode	$I_{SA}$		4.8	5.1	mA	Pin 11 (FSEL) open, Pin 15 (MSEL) open		
<b>LNA</b>									
<b>Signal Input LNI (PIN 3), <math>V_{THRES} &gt; 2.8V</math>, high gain mode</b>									
1	Average Power Level at BER = 2E-3 (Sensitivity) ASK	$RF_{in}$		-112		dBm	Manchester encoded datarate 4kBit, 280kHz IF Bandwidth	■	
2	Average Power Level at BER = 2E-3 (Sensitivity) FSK	$RF_{in}$		-105		dBm	Manchester enc. datarate 4kBit, 280kHz IF Bandw., ± 50kHz pk. dev.	■	
3	Input impedance, $f_{RF} = 915$ MHz	$S_{11\ LNA}$	0.717 / -78.4 deg					■	
4	Input level @ 1dB C.P. $f_{RF}=915$ MHz	$P1dB_{LNA}$		t.b.d.		dBm		■	
5	Input 3 <sup>rd</sup> order intercept point $f_{RF} = 915$ MHz	$IIP3_{LNA}$		t.b.d.		dBm	$f_{in} = 914$ & $916$ MHz	■	
6	LO signal feedthrough at antenna port	$LO_{LNI}$			t.b.d.	dBm		■	
<b>Signal Output LNO (PIN 6), <math>V_{THRES} &gt; 2.8V</math>, high gain mode</b>									
1	Gain $f_{RF} = 915$ MHz	$S_{21\ LNA}$	1.401 / 98.4 deg					■	
2	Output impedance, $f_{RF} = 915$ MHz	$S_{22\ LNA}$	0.869 / -25.7 deg					■	



**Table 5-3 AC/DC Characteristics with  $T_A = 25\text{ }^\circ\text{C}$ ,  $V_{CC} = 4.5 \dots 5.5\text{ V}$  (continued)**

#	Parameter	Symbol	Limit Values			Unit	Test Conditions	L	Item
			min	typ	max				
3	Voltage Gain Antenna to MI $f_{RF} = 915\text{ MHz}$	$G_{AntMI}$		t.b.d.		dB			
4	Noise Figure	$NF_{LNA}$		t.b.d.		dB	■		
<b>Signal Input LNI, <math>V_{THRES} = GND</math>, low gain mode</b>									
1	Input impedance, $f_{RF} = 915\text{ MHz}$	$S_{11\text{ LNA}}$	0.753 / -86.26 deg					■	
2	Input level @ 1dB C. P. $f_{RF} = 915\text{ MHz}$	$P1dB_{LNA}$		t.b.d.		dBm		■	
<b>Signal Input LNI, <math>V_{THRES} = GND</math>, low gain mode</b>									
3	Input 3 <sup>rd</sup> order intercept point $f_{RF} = 915\text{ MHz}$	$IIP3_{LNA}$		t.b.d.		dBm	$f_{in} = 914 \text{ \& } 916\text{ MHz}$	■	
<b>Signal Output LNO, <math>V_{THRES} = GND</math>, low gain mode</b>									
1	Gain $f_{RF} = 915\text{ MHz}$	$S_{21\text{ LNA}}$	0.174 / 107.4 deg					■	
2	Output impedance, $f_{RF} = 915\text{ MHz}$	$S_{22\text{ LNA}}$	0.868 / -28.1 deg					■	
3	Voltage Gain Antenna to MI $f_{RF} = 915\text{ MHz}$	$G_{AntMI}$		t.b.d.		dB			
<b>Signal 3VOUT (PIN 24)</b>									
1	Output voltage	$V_{3VOUT}$	2.9	3	3.1	V	$I_{3Vout} = 5\mu\text{A}$		
2	Current out	$I_{3VOUT}$			50	$\mu\text{A}$			
<b>Signal THRES (PIN 23)</b>									
1	Input Voltage range	$V_{THRES}$	0		$V_S - 1\text{V}$	V	see Section 4.1		
2	LNA low gain mode	$V_{THRES}$	0			V			
3	LNA high gain mode	$V_{THRES}$	2.8	3	$V_S$	V	or shorted to Pin 24		
4	Current in	$I_{THRES\_in}$		5		nA			
<b>Signal TAGC (PIN 4)</b>									
1	Current out, LNA low gain state	$I_{TAGC\_out}$	3.8	4.2	4.8	$\mu\text{A}$	$RSSI > V_{THRES}$		
2	Current in, LNA high gain state	$I_{TAGC\_in}$	1	1.5	2	$\mu\text{A}$	$RSSI < V_{THRES}$		
<b>MIXER</b>									
<b>Signal Input MI/MIX (PINS 8/9)</b>									
1	Input impedance, $f_{RF} = 915\text{ MHz}$	$S_{11\text{ MIX}}$	0.912 / -30.13 deg					■	
2	Input 3 <sup>rd</sup> order intercept point	$IIP3_{MIX}$		-25		dBm		■	

**Table 5-3 AC/DC Characteristics with  $T_A$  25 °C,  $V_{CC} = 4.5 \dots 5.5$  V (continued)**

	Parameter	Symbol	Limit Values			Unit	Test Conditions	L	Item
			min	typ	max				
<b>Signal Output IFO (PIN 12)</b>									
1	Output impedance	$Z_{IFO}$		330		$\Omega$			
2	Conversion Voltage Gain $f_{RF}=869$ MHz	$G_{MIX}$		t.b.d.		dB			
3	Noise Figure, SSB (~DSB NF+3dB)	$NF_{MIX}$		t.b.d.		dB		■	
4	RF to IF isolation	$A_{RF-IF}$		t.b.d.		dB		■	

**LIMITER**
**Signal Input LIM/X (PINS 17/18)**

1	Input Impedance	$Z_{LIM}$	264	330	396	$\Omega$		■	
2	RSSI dynamic range	$DR_{RSSI}$	60		80	dB			
3	RSSI linearity	$LIN_{RSSI}$		$\pm 1$		dB		■	
4	Operating frequency (3dB points)	$f_{LIM}$	5	10.7	23	MHz		■	

**DATA FILTER**

1	Useable bandwidth	$BW_{BB}$ FILT			100	kHz		■	
---	-------------------	-------------------	--	--	-----	-----	--	---	--

**SLICER**
**Signal Output DATA (PIN 25)**

1	Useable bandwidth	$BW_{BB}$ SLIC			100	kHz		■	
2	Capacitive loading of output	$C_{max}$ SLIC			20	pF			
3	LOW output voltage	$V_{SLIC\_L}$		0	0.1	V			
4	HIGH output voltage	$V_{SLIC\_H}$	$V_S-1.1V$	$V_S-1V$	$V_S-0.9V$	V			
5	Output current	$I_{SLIC\_out}$	600	750	900	$\mu A$			
6	Leakage current	$I_{SLIC\_in}$	30	33	36	$\mu A$			

**PEAK DETECTOR**
**Signal Output PDO (PIN 26)**

1	LOW output voltage	$V_{SLIC\_L}$		0	0.1	V			
2	HIGH output voltage	$V_{SLIC\_H}$	2.9	3	3.1	V			
3	Load current	$I_{load}$	700	850	1000	$\mu A$			
4	Leakage current	$I_{leakage}$	580	700	820	nA			

**Table 5-3 AC/DC Characteristics with  $T_A = 25\text{ }^\circ\text{C}$ ,  $V_{CC} = 4.5 \dots 5.5\text{ V}$  (continued)**

	Parameter	Symbol	Limit Values			Unit	Test Conditions	L	Item
			min	typ	max				

**CRYSTAL OSCILLATOR**
**Signals CRSTL1, CRISTL 2, (PINS 1/28)**

1	Operating frequency	$f_{CRSTL}$	6		15	MHz	fundamental mode, series resonance		
2	Input Impedance @ ~7.2MHz	$Z_{1-28}$		$-860 + j500$		$\Omega$		■	
3	Input Impedance @ ~14.5MHz	$Z_{1-28}$		$-550 + j1050$		$\Omega$		■	
4	Serial Capacity @ ~7.2MHz	$C_{S7=C1}$		9.5		pF			
5	Serial Capacity @ ~14.5MHz	$C_{S14=C1}$		5.6		pF			

**ASK/FSK Signal Switch**
**Signal MSEL (PIN 15)**

1	FSK Mode	$V_{MSEL}$	1.4		4	V	or open		
2	ASK Mode	$V_{MSEL}$	0		0.2	V			

**FSK DEMODULATOR**

1	Demodulation Gain	$G_{FMDEM}$	180	200	220	$\mu\text{V}/\text{kHz}$			
2	Useable IF Bandwidth	$BW_{IFPLL}$	10.2	10.7	11.2	MHz			

**POWER DOWN MODE**
**Signal PDWN (PIN 27)**

1	Powerdown Mode On	$PWDN_{ON}$	0		0.8	V			
2	Powerdown Mode Off	$PWDN_{Off}$	2.8		$V_S$	V			
3	Input bias current PDWN	$I_{PDWN}$		t.b.d.		$\mu\text{A}$			
4	Start-up Time until valid IF signal is detected	$T_{SU}$			1	ms	<b>note:</b> startup - time is also dependent on data filter and data slicer time constants		

**PLL DIVIDER**
**Signal CSEL (PIN 16)**

1	$f_{CRSTL}$ range 7.xxMHz	$V_{CSEL}$	1.4		4	V	or open		
---	---------------------------	------------	-----	--	---	---	---------	--	--

**Table 5-3 AC/DC Characteristics with  $T_A$  25 °C,  $V_{CC} = 4.5 \dots 5.5$  V (continued)**

	Parameter	Symbol	Limit Values			Unit	Test Conditions	L	Item
			min	typ	max				
2	$f_{CRSTL}$ range 14.xxMHz	$V_{CSEL}$	0		0.2	V			
3	Input bias current CSEL	$I_{CSEL}$		5		$\mu$ A	CSEL tied to GND		

■ Measured only in lab.

## 5.2 Test Circuit

The device performance parameters marked with ■ in Section 5.1.3 were measured on an Infineon evaluation board.

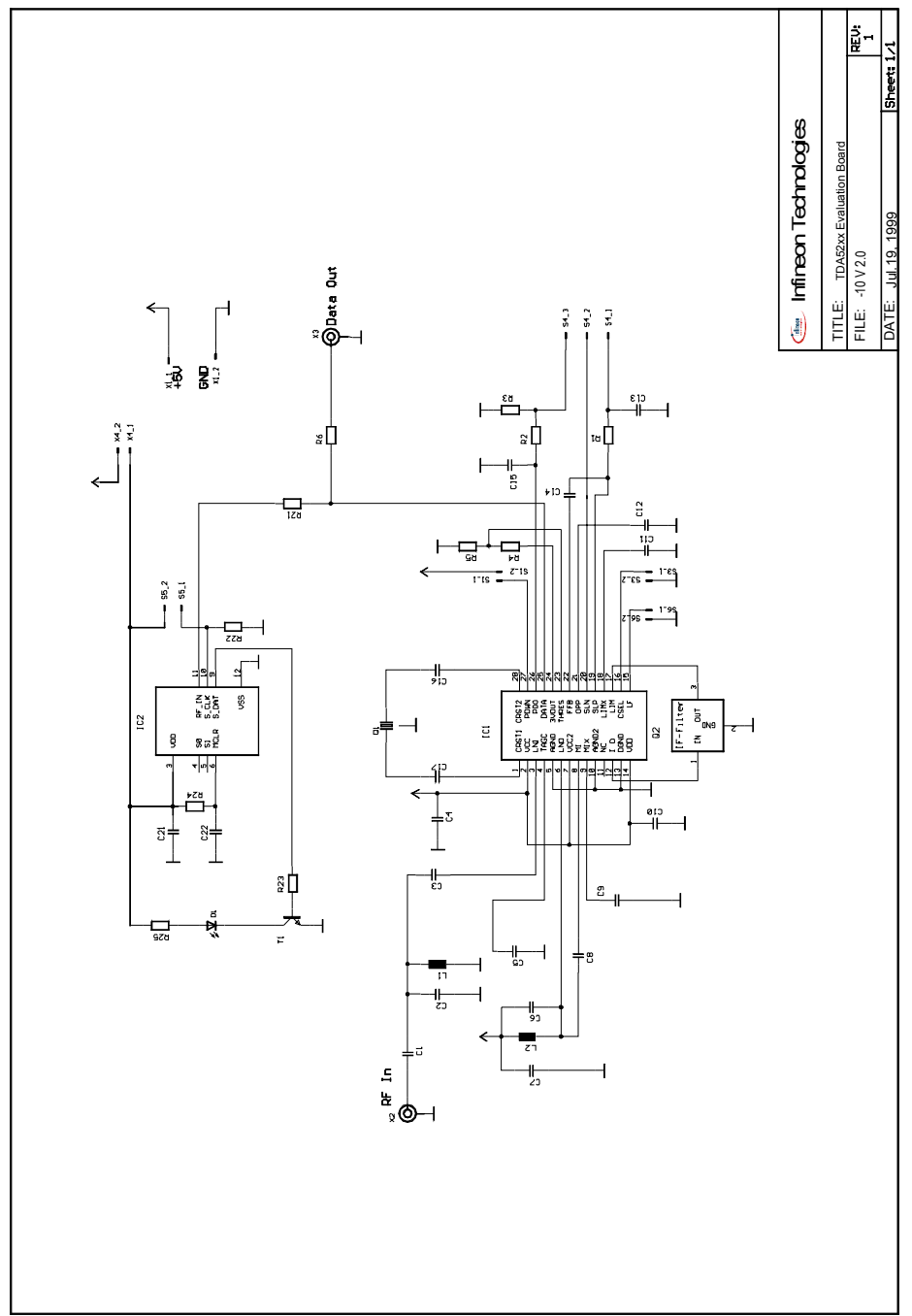


Figure 5-1 Schematic of the Evaluation Board

### 5.3 Test Board Layouts

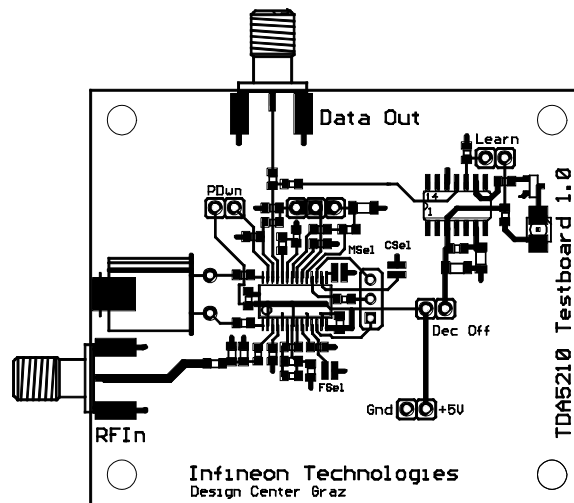


Figure 5-2 Top Side of the Evaluation Board

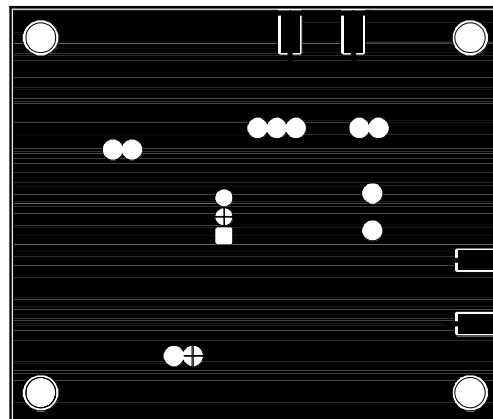


Figure 5-3 Bottom Side of the Evaluation Board

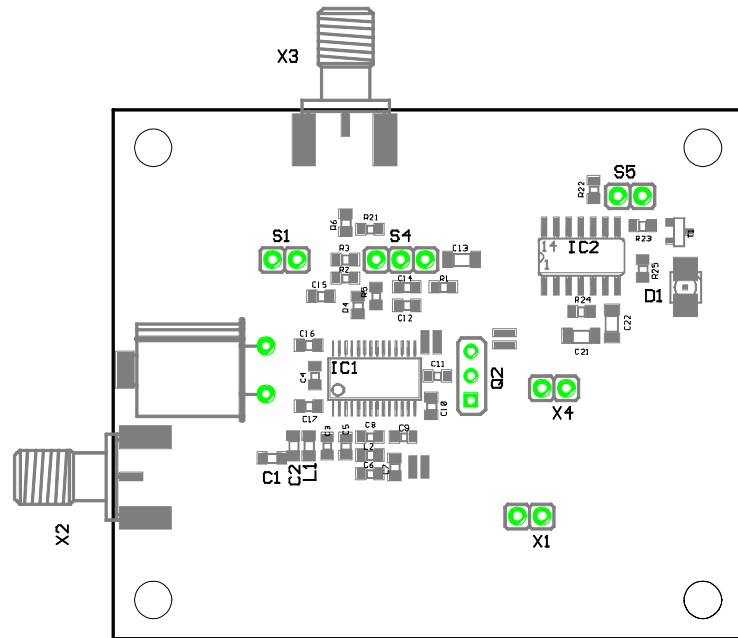


Figure 5-4 Component Placement on the Evaluation Board

## 5.4 Bill of Materials

The following components are necessary for evaluation of the TDA5212 at 915 MHz without use of a Microchip HCS515 decoder.

**Table 5-4 Bill of Materials**

Ref	Value	Specification
R1	100kΩ	0805, ± 5%
R2	100kΩ	0805, ± 5%
R3	820kΩ	0805, ± 5%
R4	120kΩ	0805, ± 5%
R5	180kΩ	0805, ± 5%
R6	10kΩ	0805, ± 5%
L1	15nH	Toko, PTL2012-F15N0G
L2	12pF	0805, COG, ± 2%
C1	3.3 pF	0805, COG, ± 0.1pF
C2	10pF	0805, COG, ± 0.1pF
C3	6.8pF	0805, COG, ± 0.1pF
C4	100pF	0805, COG, ± 5%
C5	47nF	1206, X7R, ± 10%
C6	15nH	Toko, PTL2012-F15N0G
C7	100pF	0805, COG, ± 5%
C8	33pF	0805, COG, ± 5%
C9	100pF	0805, COG, ± 5%
C10	10nF	0805, X7R, ± 10%
C11	10nF	0805, X7R, ± 10%
C12	220pF	0805, COG, ± 5%
C13	47nF	0805, X7R, ± 10%
C14	470pF	0805, COG, ± 5%
C15	47nF	0805, X7R, ± 10%
C16	18pF	0805, COG, ± 1%
C17	8.2pF	0805, COG, ± 0.25pF
Q2	$(915 + 10.7\text{MHz})/64$	fundamental mode, $C_L = 12\text{pF}$
F1	SFE10.7MA5-A	Murata
X2, X3	142-0701-801	Johnson
X1, X4, S1, S5		2-pole pin connector
S4		3-pole pin connector, or not equipped
IC1	TDA 5212	Infineon



The following components are necessary in addition to the above mentioned ones for evaluation of the TDA5212 in conjunction with a Microchip HCS515 decoder.

**Table 5-5 Bill of Materials Addendum**

<b>Ref</b>	<b>Value</b>	<b>Specification</b>
R21	22kΩ	0805, ± 5%
R22	100kΩ	0805, ± 5%
R23	22kΩ	0805, ± 5%
R24	820kΩ	0805, ± 5%
R25	560kΩ	0805, ± 5%
C21	100nF	1206, X7R, ± 10%
C22	100nF	1206, X7R, ± 10%
IC2	HCS515	Microchip
T1	BC 847B	Infineon
D1	LS T670-JL	Infineon



# 6 List of Figures

Figure 2-1	P-TSSOP-28-1 package outlines .....	2-3
Figure 3-1	IC Pin Configuration .....	3-2
Figure 3-2	Main Block Diagram .....	3-9
Figure 4-1	LNA Automatic Gain Control Circuitry .....	4-2
Figure 4-2	RSSI Level and Permissive AGC Threshold Levels .....	4-3
Figure 4-3	Data Filter Design .....	4-4
Figure 4-4	Determination of Series Capacitance Value for the Crystal Oscillator .....	4-5
Figure 4-5	Data Slicer Threshold Generation with External R-C Integrator .....	4-7
Figure 4-6	Data Slicer Threshold Generation Utilising the Peak Detector .....	4-7
Figure 4-7	ASK/FSK mode datapath .....	4-8
Figure 4-8	Frequency characteristic in case of FSK mode .....	4-9
Figure 4-9	Frequency characteristic in case of ASK mode .....	4-10
Figure 4-10	Principle of the precharge circuit .....	4-11
Figure 4-11	Voltage appearing on C2 during precharging process .....	4-12
Figure 4-12	Voltage transient on capacitor C attached to pin 20 .....	4-13
Figure 5-1	Schematic of the Evaluation Board .....	5-9
Figure 5-2	Top Side of the Evaluation Board .....	5-10
Figure 5-3	Bottom Side of the Evaluation Board .....	5-10
Figure 5-4	Component Placement on the Evaluation Board .....	5-11

# 7 List of Tables

Table 3-1	Pin Definition and Function .....	3-3
Table 3-2	CSEL Pin Operating States .....	3-11
Table 3-3	MSEL Pin Operating States .....	3-11
Table 3-4	PDWN Pin Operating States .....	3-13
Table 5-1	Absolute Maximum Ratings, Ambient temperature $T_{AMB}=-40^{\circ}\text{C} \dots + 85^{\circ}\text{C}$ .....	5-2
Table 5-2	Operating Range, Ambient temperature $T_{AMB}=-40^{\circ}\text{C} \dots + 85^{\circ}\text{C}$ .....	5-3
Table 5-3	AC/DC Characteristics with $T_A 25^{\circ}\text{C}$ , $V_{VCC} = 4.5 \dots 5.5 \text{ V}$ .....	5-4
Table 5-4	Bill of Materials .....	5-12
Table 5-5	Bill of Materials Addendum .....	5-13