

6

5

4

3

2

1

ISSUE	REVISION	DATE:	MADE BY	APPROVED BY
1.0	FIRST RELEASE FOR PRODUCTION	6 Sep. 03	YHG	FRANKIE

D

C

B

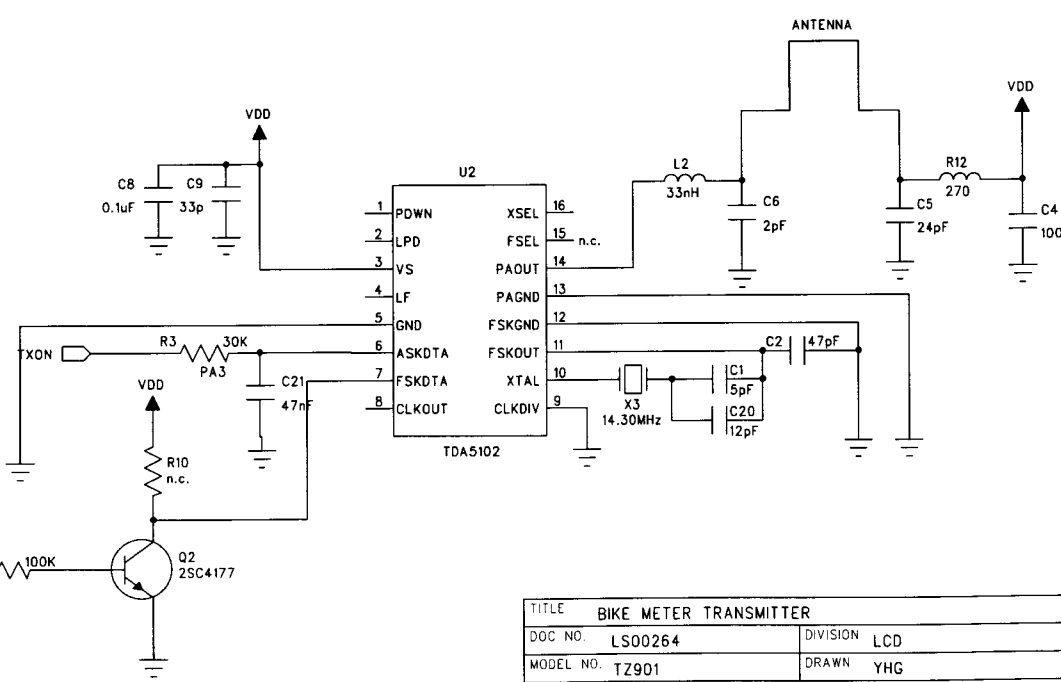
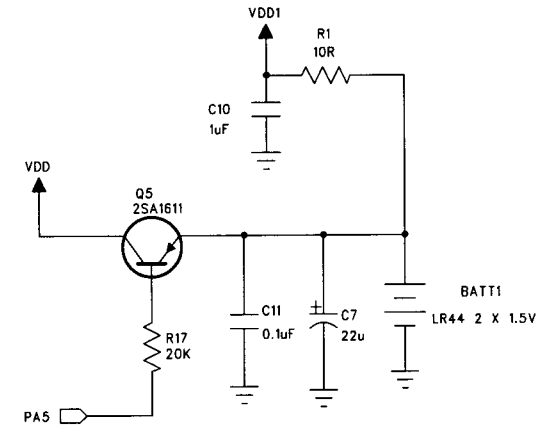
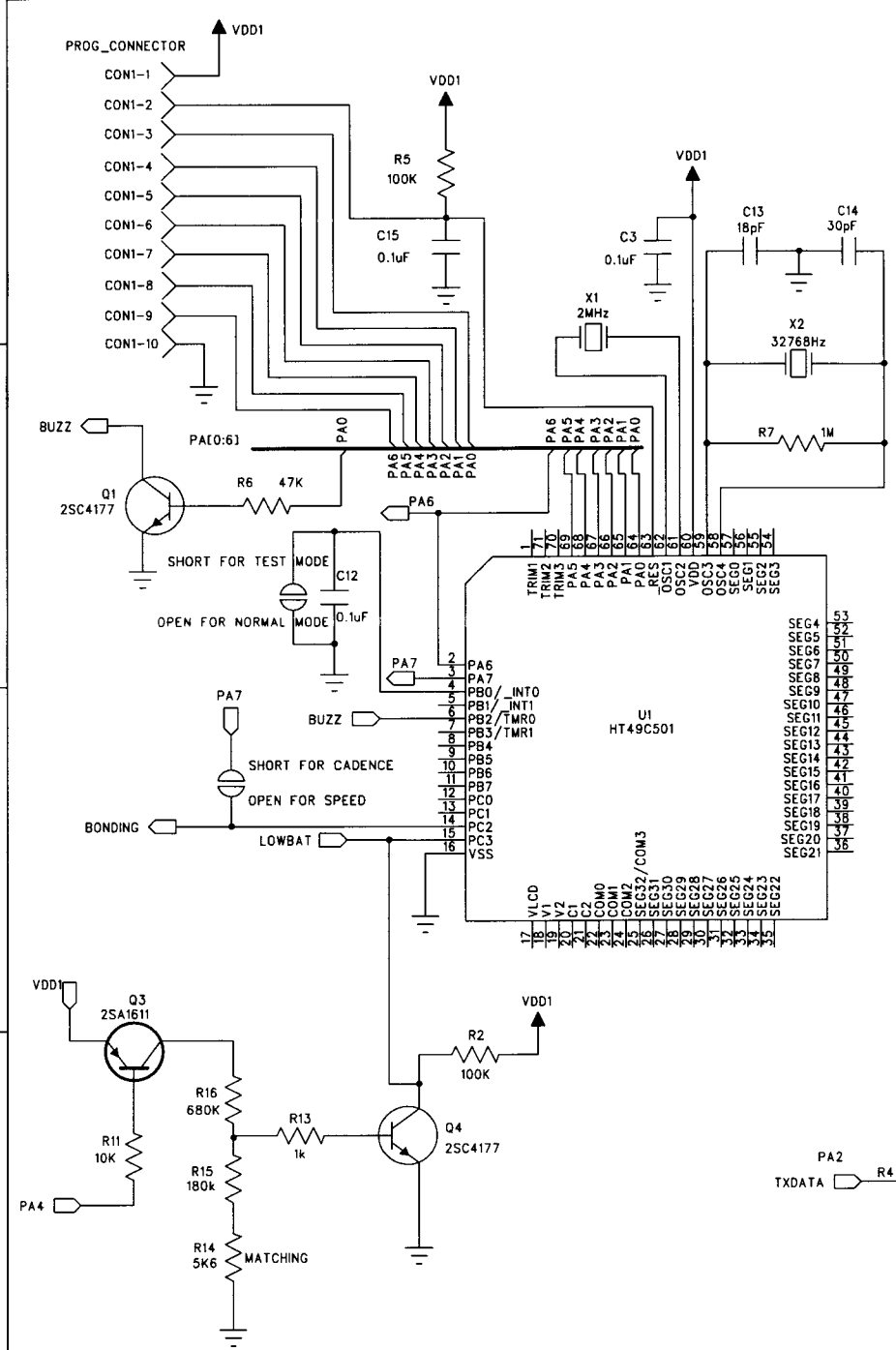
A

D

C

B

A



TITLE			
BIKE METER TRANSMITTER			
DOC NO.	LS00264	DIVISION	LCD
MODEL NO.	TZ901	DRAWN	YHG
CAD REF.	TZ901.sch	CHKD	FRANKIE
PAGE	1	OF	2
		APPD.	FRANKIE
IDT TECHNOLOGY LTD.			