

6

5

4

3

2

1

| ISSUE | REVISION | DATE: | MADE BY | APPROVED BY |
|-------|----------|-------|---------|-------------|
|       |          |       |         |             |
|       |          |       |         |             |
|       |          |       |         |             |
|       |          |       |         |             |

D

D

C

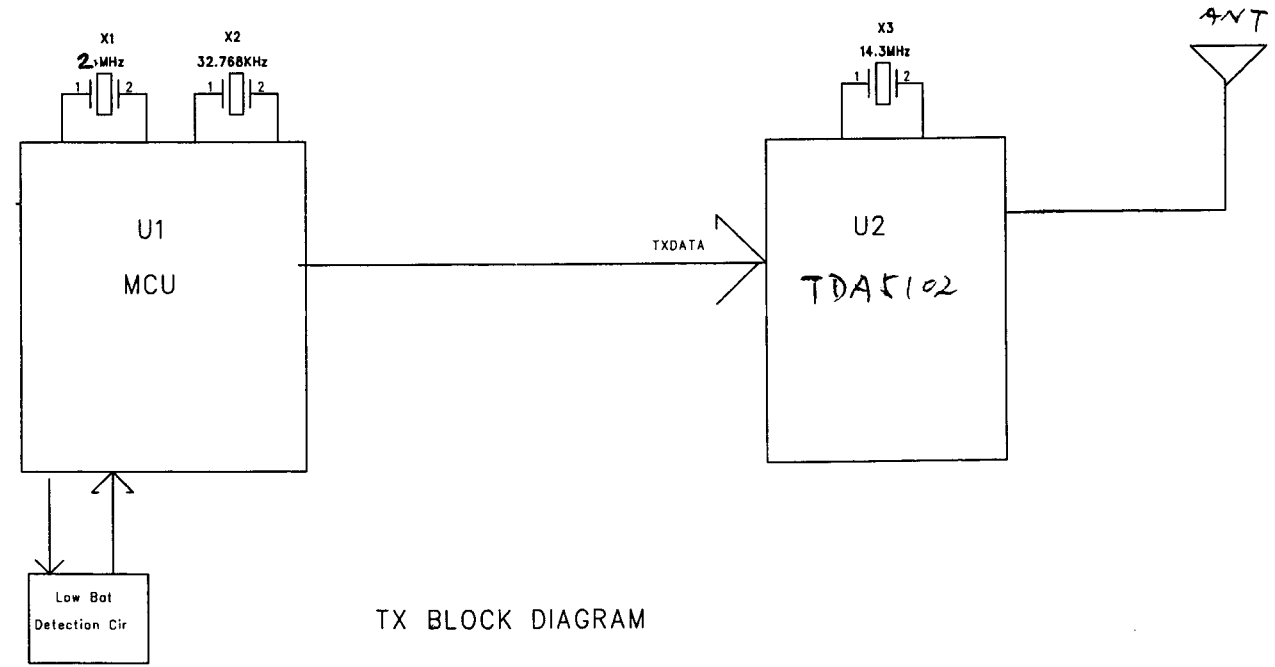
C

B

B

A

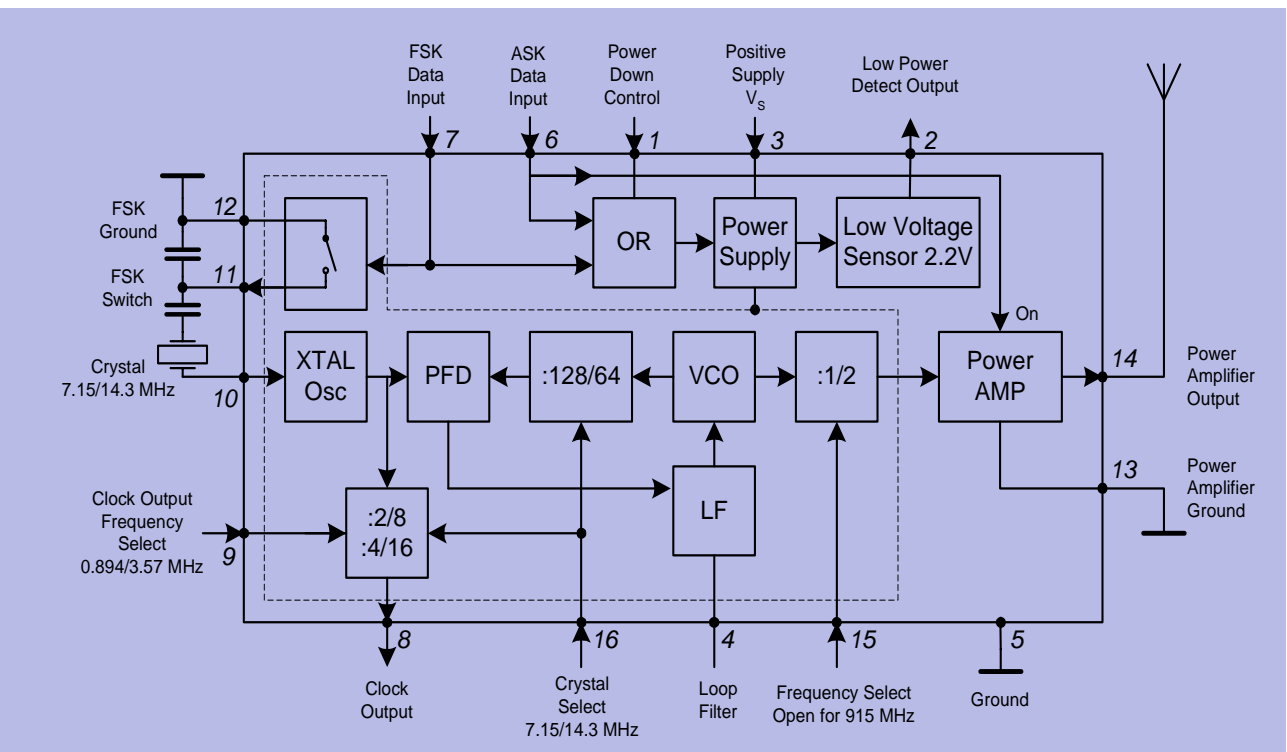
A



TX BLOCK DIAGRAM

|                                    |         |                   |       |
|------------------------------------|---------|-------------------|-------|
| TITLE                              |         | SCHEMATIC DIAGRAM |       |
| DOC NO.                            | LSXXXXX | DIVISION          | L C D |
| MODEL NO.                          |         | DRAWN             |       |
| CAD REF.                           |         | CHKD              |       |
| PAGE                               | OF      | APPD.             |       |
| INTEGRATED DISPLAY TECHNOLOGY LTD. |         |                   |       |

### 3.3 Functional Block diagram



Funcnt\_Block\_Diagram.wmf

Figure 3-2 Functional Block diagram