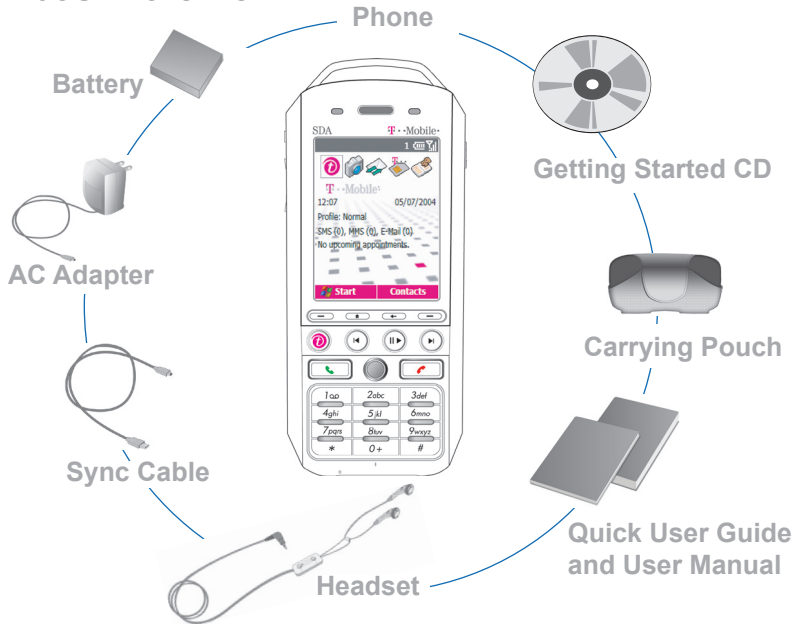
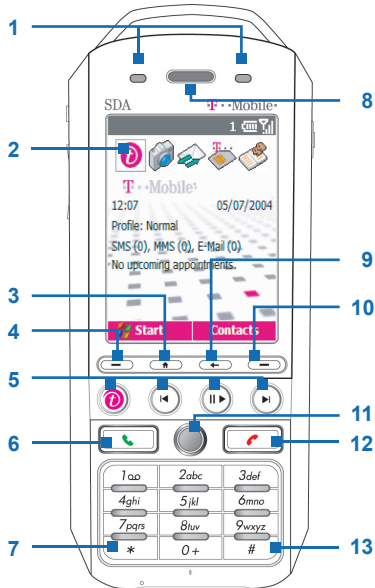


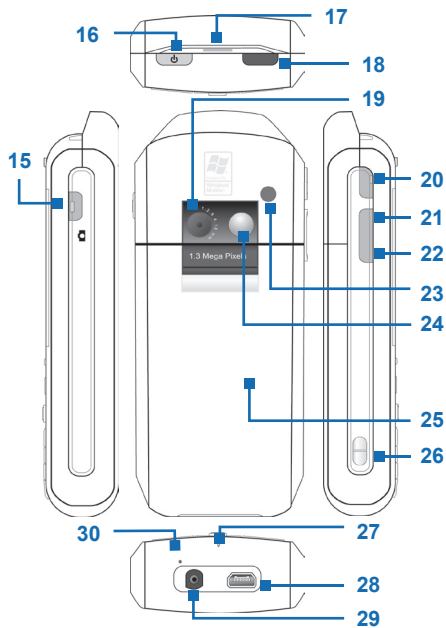
1. What's in the Box?



2. Your Phone at a Glance



1. LED Indicators	The left bi-color LED Indicator (amber/red/green) notifies you of the battery and network status of your phone respectively, while the right blue LED Indicator notifies you of the Bluetooth connectivity status. For more information about LED Indicators, see the table at the end of this section.
2. Display Screen	
3. Home	Press to go to the Home Screen.
4. Left Soft Key	Press to perform the command shown in the label above the button.
5. Media Player Buttons	The Previous, Play/Pause/Stop, Next button of Windows Media Player.
6. Talk	Press to dial a phone number, answer a call, switch to another call, or put a call on hold.
7. *Key	Press and switch to different input modes or press and hold to choose an input mode or symbols from the list.
8. Speaker	Listen to audio media or a phone call.
9. Back	Press to go to the previous screen, or backspace over characters.
10. Right Soft Key	Press to perform the command shown in the label above the button.
11. Navigation Control/Enter	Use to scroll left, right, up, or down. Or press straight down to use the Enter button.
12. End	Press to end a call, or press and hold to lock the phone.
13. #Key	Press to add a space or press and hold to display a list of symbols.



15. Camera	Press to launch the camera. If already running, press to capture an image or start capturing a video clip.
16. Power Button	Press to turn on and off the phone.
17. Speaker	Listen to audio media or a phone call.
18. Infrared Port	Lets you exchange files or data with other devices wirelessly.
19. Camera Lens	
20. Call History	Press to open the Call History list.
21. Earpiece Volume Up	Press to increase the earpiece volume during a call.
22. Earpiece Volume Down	Press to decrease the earpiece volume during a call.
23. Car Antenna Connector	Allows you to attach your phone to the car antenna for better network signal reception. Simply peel off the rubber cap and connect the antenna jack. Replace the rubber cap if unused.
24. Self-Portrait Mirror	Position the phone until the mirror reflects the image you want to capture.
25. Back Cover	Remove to insert battery, SIM card, and Mini-SD card.
26. Strap Ring	Use to hold the phone with a strap.
27. Light Sensor	
28. Sync Connector	Use for synchronizing data or recharging the battery.
29. Earphone Jack	Listen to audio media or use the phone's hands-free kit.
30. Microphone	Speak into the microphone when receiving or making a phone call or voice recording.

LED Indicator Lights

Various colors that might display in the two LED Indicators are summarized here.

Left LED	Status
Solid green	Battery is fully charged.
Blank	Battery case is empty.
Solid amber	Battery is charging or the phone is using ActiveSync to synchronize with a PC.
Flashing green	Connected to the network.
Flashing red	Battery very low (less than 4%).
Flashing amber	Battery temperature is hotter or colder than the functional limits of 0 to 48 degrees Celsius, and has stopped charging.
Amber/green LED off	Battery fault. The "Battery Fault" indicator (🔋 ^x) is displayed. In this case, the flashing green LED can be recovered by unplugging the AC adapter.
Dim	Disconnected from the network.
Right LED	Status
Flashing blue	Bluetooth mode set to "On" or "Discoverable" mode.

3. Set up Your Phone in 6 Steps

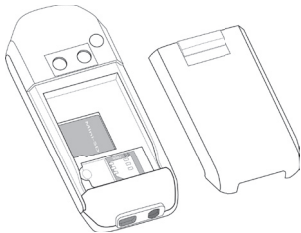
1 Insert the SIM Card

Your SIM (Subscriber Identity Module) card is given to you by your wireless service provider and contains your basic subscriber information such as your phone number and your address book.

Before you begin, ensure that the phone is turned off.

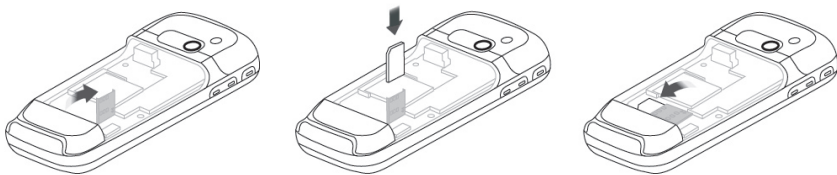
Open the cover and remove the battery

1. Hold the phone in one hand with the keypad facing down in the palm of your hand. With your other hand, press down on the back cover and slide it open in the direction of the arrow shown in the illustration.
2. Remove the battery by lifting it up from the bottom end.



Insert the SIM card

1. Open the SIM card door located on the lower right.
2. Insert the SIM card into the door with its gold-plated contacts facing down.
3. Close the door and press down to lock it.



Replace the battery

1. Align the exposed metal contacts on the edge of the battery with the prongs in the body of the phone and gently push the bottom of the battery into place.
2. Slide the cover on the phone.

2 Installing the Mini-SD Card

Use only the provided Mini-SD (Secure Digital) card in your phone to store images, video clips, music, and other data you may have obtained.

To install the Mini-SD card

1. Remove the back cover and battery.
2. Slide the Mini-SD card into the SD card slot with its gold contacts facing down.
3. Push the card down and slide the metal latch over the Mini-SD card to secure it.
4. Replace the battery and back cover.

3 Charge the battery

The battery must be fully charged before you use your phone for the first time. The battery can be charged when the phone is turned on or turned off. The time it takes for a battery to fully charge depends on a number of factors. In general it takes about two to three hours.

1. Plug the AC adapter into the mini USB connector at the base of the phone.
2. Plug the AC power cable into an electrical outlet.
3. Charging is indicated by an amber LED. You will know your phone is fully charged when the LED is green.

4 Turn on your phone

The power button is located at the top and left of the phone.

- Press and hold the POWER button to turn on the phone.



5 Install ActiveSync

ActiveSync synchronizes information between your phone and your PC, keeping information up to date in both devices.



Before you connect your phone to your PC, you must install ActiveSync on the PC. ActiveSync is already installed on your phone.


1. Insert the Getting Started CD into the CD drive of your PC.
2. Follow the instructions on the installation wizard screen to install ActiveSync.
3. Connect the sync cable to the phone and plug it into the USB port of your PC.
4. Turn on your phone. When the PC detects a USB connection, it starts the ActiveSync Synchronization Setup Wizard. Follow the instructions on the screen and select the items you want to synchronize.



6 Make your first phone call

Before you make a phone call, ensure that a SIM card is installed and the battery is sufficiently charged.

To make a call

- Enter the phone number by pressing keys on the keypad and press TALK ().



Press the BACK button to backspace.

To end a call

- Press END ().

4. Set Up an E-mail Account and Send a Message

Your Outlook E-mail account is ready to use. However, you need to set up an e-mail account that you have with an Internet service provider (ISP) or an account that you access using a VPN server connection (typically a work account) before you can send and receive mail.

To set up an e-mail account

1. On the **Home** screen, click **Start > Messaging**, and select Outlook E-Mail.
2. Click **Menu > Options > New Account**.
3. In **Your name**, enter your display name for e-mail messages.
4. In **E-mail address**, enter the e-mail address for this account.
5. Select **Attempt to obtain e-mail settings from the Internet** and click **Next**.

To send an e-mail message

1. On the Home screen, click **Start > Messaging**.
2. Select an e-mail account.
3. Click **New**.
4. Enter the e-mail address of one or more recipients, separating them with a semicolon. To access addresses from Contacts, in **To**, press ENTER and select a recipient from the list.
5. Enter a subject and your message.
6. Click **Send**.

E-mail messages are moved to the Outbox folder and will be sent the next time you connect.

5. Browse the Web

Your phone comes with Internet Explorer Mobile installed. Internet Explorer Mobile is a full-featured Internet browser, optimized for use on your phone.

To open Internet Explorer

- On the Home screen, click **Start > Internet Explorer**.

You can use ActiveSync to synchronize the Internet Explorer favorites on your PC with your phone so you can use them with Internet Explorer Mobile as well. For more information, see ActiveSync Help on your PC.

6. Take a Picture and Send It

Taking photos and shooting video clips with audio is easy with your phone's built-in camera.

To open Camera or Camcorder

Do any of the following:

- On the Home Screen, click **Start** > **Camera**.
- On the Home Screen, click **Start** > **Camcorder**.
- Press the CAMERA button on your phone.

To exit Camera or Camcorder press END ().

To capture a still image

Do any of the following:

- On the Camera (Photo) screen, click **Capture**.
- Press the CAMERA button or the ENTER button.

To capture a video clip

Do any of the following:

- On the Camera (Video) screen, click **Capture**.
- Press the CAMERA button or the ENTER button to start recording a video clip.
To stop recording, click **Stop** on the Camera screen. You can also press ENTER or CAMERA again to stop recording.

To use the Pictures & Videos program

Click **Start** > **Pictures & Videos**.

The Pictures & Videos program on your phone collects, organizes, and sorts all of your captured images and video clips in the JPEG, AVI, 3GPP, and MP4 formats. You can view pictures and play video clips on your phone. You can even view the pictures as a slide show, beam them, send them via e-mail, edit them, or set them as the background on the Home Screen.

To send pictures and video clips with messages

You can send pictures and video clips with your e-mail, text messages, or MMS messages either from the Pictures & Videos program or from the Camera screen. Before you send a picture or video clip, ensure that you have set up Messaging to send and receive messages.

To send pictures and video clips from the Pictures & Videos program

1. On the Pictures & Videos screen, select the item you want to send.
2. Click **Menu** > **Send**.
3. On the Messaging screen, select an account, such as Text Messages, Outlook E-mail, or MMS.
A new message is created with the item attached.
5. Enter the recipient name and subject, and click **Send**.

The message will be sent the next time you synchronize your phone.

To send pictures and video clips from the Camera program

1. Capture an image or a video clip using the Camera program.
2. On the Review screen, click **Menu** > **Send** > **via E-mail**.
3. On the Messaging screen, select Text Messages, Outlook E-mail, or MMS.
A new message is created with the item attached.
4. Enter the recipient e-mail address and subject, and click **Send**.

The message will be sent the next time you synchronize your phone.

7. Secure your phone

There are several levels of security on your phone. You can protect your phone from unauthorized use by requiring a type of password called a PIN (personal identification number) in order to make calls. Your first PIN will be given to you by your wireless service provider. Additionally, you can lock the entire phone to prevent unauthorized access.

To enable the SIM PIN

1. On the Home screen, click **Start** > **Settings** > **Security**.
2. Click **Enable SIM PIN**.
3. Enter your PIN, and click **Done**.



To cancel without enabling the SIM PIN, press HOME.

To disable the SIM PIN

1. On the Home screen, click **Start** > **Settings** > **Security**.
2. Click **Disable SIM PIN**.
3. Enter your PIN, and click **Done**.

To enable the phone lock

1. On the Home screen, click **Start** > **Settings** > **Security** > **Enable Phone Lock**.
2. In **Lock phone after**, select the amount of time for the phone to be inactive before it is locked automatically.
3. Enter and confirm your password.
4. Click **Done**.



Alternatively, briefly press POWER to display the Quick List, select **Device lock**, and click **Done**.

Next time, you can enable the Device lock from the Quick List, without having to configure these settings again.

To disable the phone lock

1. On the Home screen, click **Start > Settings > Security**.
2. Click **Disable Phone Lock**.
3. Enter the password, and click **Done**.

8 Learn More

For more in-depth instructions refer to the User Manual, or look for information on Microsoft Windows Mobile Web site (<http://www.microsoft.com/windowsmobile/smartphone/>).