



SAR TEST REPORT

(Mobile Phone)

REPORT NO.: SA970711L09

MODEL NO.: SEDN100

RECEIVED: Jul. 11, 2008

TESTED: Jul. 25 ~ Jul. 31, 2008

ISSUED: Aug. 13, 2008

APPLICANT: HTC Corporation

ADDRESS: No. 23, Xinghua Rd., Taoyuan City, 330, Taiwan,
R.O.C.

ISSUED BY: Advance Data Technology Corporation

LAB ADDRESS: No. 47, 14th Ling, Chia Pau Tsuen, Lin Kou
Hsiang, Taipei Hsien 244, Taiwan, R.O.C.

TEST LOCATION: No. 19, Hwa Ya 2nd Rd, Wen Hwa Tsuen, Kwei
Shan Hsiang, Taoyuan Hsien 333, Taiwan,
R.O.C.

This test report consists of 59 pages in total except Appendix. It may be duplicated completely for legal use with the approval of the applicant. It should not be reproduced except in full, without the written approval of our laboratory. The client should not use it to claim product endorsement by TAF or any government agencies. The test results in the report only apply to the tested sample.





TABLE OF CONTENTS

| | | |
|-------|---|----|
| 1. | CERTIFICATION..... | 3 |
| 2. | GENERAL INFORMATION..... | 4 |
| 2.1 | GENERAL DESCRIPTION OF EUT..... | 4 |
| 2.2 | GENERAL DESCRIPTION OF APPLIED STANDARDS..... | 6 |
| 2.3 | GENERAL INFORMATION OF THE SAR SYSTEM..... | 9 |
| 2.4 | GENERAL DESCRIPTION OF THE SPATIAL PEAK SAR EVALUATION..... | 12 |
| 3. | DESCRIPTION OF SUPPORT UNITS..... | 16 |
| 4. | DESCRIPTION OF TEST POSITION..... | 17 |
| 4.1 | DESCRIPTION OF TEST POSITION..... | 17 |
| 4.2.1 | TOUCH/CHEEK TEST POSITION..... | 18 |
| 4.2.2 | TILT TEST POSITION..... | 19 |
| 4.2.3 | BODY-WORN CONFIGURATION..... | 19 |
| 4.2 | DESCRIPTION OF TEST MODE..... | 20 |
| 4.3 | SUMMARY OF TEST RESULTS..... | 23 |
| 5. | TEST RESULTS..... | 25 |
| 5.1 | TEST PROCEDURES..... | 25 |
| 5.2 | MEASURED SAR RESULTS..... | 27 |
| 5.3 | SAR LIMITS..... | 40 |
| 5.4 | RECIPES FOR TISSUE SIMULATING LIQUIDS..... | 41 |
| 5.5 | TEST EQUIPMENT FOR TISSUE PROPERTY..... | 46 |
| 6. | SYSTEM VALIDATION..... | 47 |
| 6.1 | TEST EQUIPMENT..... | 47 |
| 6.2 | TEST PROCEDURE..... | 48 |
| 6.3 | VALIDATION RESULTS..... | 50 |
| 6.4 | SYSTEM VALIDATION UNCERTAINTIES..... | 51 |
| 7. | MEASUREMENT SAR PROCEDURE UNCERTAINTIES..... | 52 |
| 7.1 | PROBE CALIBRATION UNCERTAINTY..... | 52 |
| 7.2 | ISOTROPY UNCERTAINTY..... | 53 |
| 7.3 | BOUNDARY EFFECT UNCERTAINTY..... | 53 |
| 7.4 | PROBE LINEARITY UNCERTAINTY..... | 54 |
| 7.5 | READOUT ELECTRONICS UNCERTAINTY..... | 54 |
| 7.6 | RESPONSE TIME UNCERTAINTY..... | 54 |
| 7.7 | INTEGRATION TIME UNCERTAINTY..... | 55 |
| 7.8 | PROBE POSITIONER MECHANICAL TOLERANCE..... | 56 |
| 7.9 | PROBE POSITIONING..... | 56 |
| 7.10 | PHANTOM UNCERTAINTY..... | 57 |
| 7.11 | DASY4 UNCERTAINTY BUDGET..... | 58 |
| 8. | INFORMATION ON THE TESTING LABORATORIES..... | 59 |
| | APPENDIX A: TEST DATA | |
| | APPENDIX B: ADT SAR MEASUREMENT SYSTEM | |
| | APPENDIX C: PHOTOGRAPHS OF SYSTEM VALIDATION | |
| | APPENDIX D: SYSTEM CERTIFICATE & CALIBRATION | |
| | APPENDIX E: TEST CONFIGURATIONS | |



1. CERTIFICATION

PRODUCT: Pocket PC Phone

MODEL: SEDN100

APPLICANT: HTC Corporation

TESTED: Jul. 25 ~ Jul. 31, 2008

TEST SAMPLE: ENGINEERING SAMPLE

STANDARDS: FCC Part 2 (Section 2.1093)

FCC OET Bulletin 65, Supplement C (01-01)

RSS-102

IEEE 1528-2003

The above equipment (model: SEDN100) have been tested by **Advance Data Technology Corporation**, and found compliance with the requirement of the above standards. The test record, data evaluation & Equipment Under Test (EUT) configurations represented herein are true and accurate accounts of the measurements of the sample's EMC characteristics under the conditions specified in this report.

PREPARED BY : Andrea Hsia , **DATE:** Aug. 13, 2008
Andrea Hsia / Specialist

TECHNICAL ACCEPTANCE : James Fan , **DATE:** Aug. 13, 2008
Responsible for RF James Fan / Engineer

APPROVED BY : Gary Chang , **DATE:** Aug. 13, 2008
Gary Chang / Assistant Manager

2. GENERAL INFORMATION

2.1 GENERAL DESCRIPTION OF EUT

| | | |
|--|--|---|
| PRODUCT | Pocket PC Phone | |
| MODEL NO. | SEDN100 | |
| FCC ID | NM8SEDN100 | |
| POWER SUPPLY | 3.7Vdc from rechargeable lithium battery 5.0Vdc from power adapter 5.0Vdc from host equipment | |
| CLASSIFICATION | Portable device, production unit | |
| MODULATION TYPE | GMSK / 8PSK / BPSK | |
| FREQUENCY RANGE | Tx Frequency: 824.2MHz ~ 848.8MHz (GSM band) 1850.2MHz ~ 1909.8MHz (WCDMA band) Rx Frequency: 869.2MHz ~ 893.8MHz (GSM band) 1930.2MHz ~ 1989.8MHz (WCDMA band) | |
| CHANNEL FREQUENCIES UNDER TEST AND ITS CONDUCTED OUTPUT POWER | GSM850 | 1.959W / 824.2MHz for channel 128 1.972W / 836.6MHz for channel 190 1.968W / 848.8MHz for channel 251 |
| | WCDMA850 band: | 0.208W / 826.4MHz for channel 4132 0.217W / 836.4MHz for channel 4182 0.218W / 846.6MHz for channel 4233 |
| | PCS1900 band: | 0.916W / 1850.2MHz for channel 512 0.897W / 1880.0MHz for channel 661 0.841W / 1909.8MHz for channel 810 |
| | WCDMA1900 band: | 0.225W / 1852.4MHz for channel 9262 0.213W / 1880.0MHz for channel 9400 0.215W / 1907.6MHz for channel 9538 |
| MAX. AVERAGE SAR (1g) | Head: | 0.684W/kg (GSM850) 0.393W/kg (WCDMA850) 0.713W/kg (GSM1900) 1.470W/kg (WCDMA1900) |
| | Body: | 1.300W/kg (GSM850) 0.265W/kg (WCDMA850) 0.490W/kg (GSM1900) 0.194W/kg (WCDMA1900) |
| ANTENNA TYPE | Monopole antenna with 0dBi gain (For 850 Band) Monopole antenna with 1dBi gain (For 1900 Band) | |
| DATA CABLE | 1.28m shielded USB cable without core | |
| I/O PORTS | Refer to user's manual | |
| ACCESSORY DEVICES | Adapter, Battery, earphone (1.50m non-shielded cable without core) | |

NOTE:

1. The EUT is an Pocket PC Phone. The functions of EUT listed as below:

| | REFERENCE REPORT |
|---|------------------|
| WLAN + Bluetooth | SA970711L09-1 |
| GSM850 / WCDMA850 | SA970711L09 |
| PCS1900 / WCDMA1900 | |
| Mobile + WLAN + Bluetooth (Co-located) | SA970711L09-2 |

2. The communicated functions of EUT listed as below:

| | | GSM 850MHz | PCS 1900MHz | WCDMA 850MHz | WCDMA 1900MHz | With 802.11b/g WLAN + Bluetooth 2.0 w EDR |
|----|--------------------|---------------|----------------|-----------------|------------------|---|
| 2G | GSM | √ | √ | | | |
| | GPRS | √ | √ | | | |
| | EDGE | √ | √ | | | |
| 3G | WCDMA | | | √ | √ | |
| | Release 5 HSDPA | | | √ | √ | |

3. The EUT has lithium batteries listed as below:

| BATTERY : | |
|----------------|-----------------|
| BRAND: | HTC |
| MODEL: | TRIN160 |
| RATING: | 3.7Vdc, 1500mAh |

4. The EUT were operated with following power adapters:

| ADAPTER A : | |
|--------------------|--------------------------------------|
| BRAND: | PHIHONG |
| MODEL: | PSAA05A-050 |
| INPUT: | 100-240Vac, 200mA, 50-60Hz, 13-20VA |
| OUTPUT: | 5Vdc, 1A |
| POWER LINE: | 1.8m non-shielded cable without core |

| ADAPTER B : | |
|--------------------|--------------------------------------|
| BRAND: | DELTA ELECTRONICS. INC. |
| MODEL: | ADP-5FH B |
| INPUT: | 100-240Vac, 0.2A, 50-60Hz |
| OUTPUT: | 5Vdc, 1A |
| POWER LINE: | 1.8m non-shielded cable without core |

5. IMEI Code: 35604001*****

6. The above EUT information was declared by manufacturer and for more detailed features description, please refer to the manufacturer's specifications or User's Manual.

2.2 SAR MEASUREMENT CONDITIONS FOR WCDMA

The following procedures were followed according to FCC “SAR Measurement Procedure for 3G Devices”, October 2007.

➤ Output Power Verification

Maximum output power is verified on the High, Middle and Low channels according to the procedures described in section 5.2 of 3GPP TS 34.121, using the appropriate RMC or AMR with TPC (transmit power control) set to all “1” s” for WCDMA/HSDPA or applying the required inner loop power control procedures to maintain maximum output power while HSUPA is active. Results for all applicable physical channel configurations (DPCCH, DPDCHn and spreading codes, HSDPA, HSPA) should be tabulated in the SAR report. All configurations that are not supported by the DUT or cannot be measured due to technical or equipment limitations should be clearly identified.

➤ Head SAR Measurement

SAR for head exposure configurations in voice mode is measured using a 12.2 kbps RMC with TPC bits configured to all “1” s” . SAR in AMR configurations is not required when the maximum average output of each RF channel for 12.2 kbps AMR is less than $\frac{1}{4}$ dB higher than that measured in 12.2 kbps RMC. Otherwise, SAR is measured on the maximum output channel in 12.2 kbps AMR with a 3.4 kbps SRB (signaling radio bearer) using the exposure configuration that results in the highest SAR in 12.2 kbps RMC for that RF channel.

➤ **Body SAR Measurements**

SAR for body exposure configurations in voice and data modes is measured using a 12.2 kbps RMC with TPC bits configured to all “1” s” . SAR for other spreading codes and multiple DPDCHn, when supported by the DUT, are not required when the maximum average output of each RF channel, for each spreading code and DPDCHn configuration, are less than ¼ dB higher than those measured in 12.2 kbps RMC. Otherwise, SAR is measured on the maximum output channel with an applicable RMC configuration for the corresponding spreading code or DPDCHn using the exposure configuration that results in the highest SAR with 12.2 kbps RMC. When more than 2 DPDCHn are supported by the DUT, it may be necessary to configure additional DPDCHn for a DUT using FTM (Factory Test Mode) or other chipset based test approaches with parameters similar to those used in 384 kbps and 768 kbps RMC.

➤ **Handsets with Release 5 HSDPA**

Body SAR is not required for handsets with HSDPA capabilities when the maximum average output of each RF channel with HSDPA active is less than ¼ dB higher than that measured without HSDPA using 12.2 kbps RMC and the maximum SAR for 12.2 kbps RMC is $\leq 75\%$ of the SAR limit. Otherwise, SAR is measured for HSDPA, using the additional body SAR procedures in the “Release 5 HSDPA Data Devices” section of this document, on the maximum output channel with the body exposure configuration that results in the highest SAR in 12.2 kbps RMC for that RF channel. Handsets with both HSDPA and HSUPA should be tested according to Release 6 HSPA test procedures.



2.3 GENERAL DESCRIPTION OF APPLIED STANDARDS

According to the specifications of the manufacturer, this product must comply with the requirements of the following standards:

FCC 47 CFR Part 2 (2.1093)

FCC OET Bulletin 65, Supplement C (01- 01)

RSS-102

IEEE 1528-2003

All test items have been performed and recorded as per the above standards.



2.4 GENERAL INFORMATION OF THE SAR SYSTEM

DASY4 (software 4.7 Build 53) consists of high precision robot, probe alignment sensor, phantom, robot controller, controlled measurement server and near-field probe. The robot includes six axes that can move to the precision position of the DASY4 software defined. The DASY4 software can define the area that is detected by the probe. The robot is connected to controlled box. Controlled measurement server is connected to the controlled robot box. The DAE includes amplifier, signal multiplexing, AD converter, offset measurement and surface detection. It is connected to the Electro-optical coupler (ECO). The ECO performs the conversion from the optical into digital electric signal of the DAE and transfers data to the PC.

ET3DV6 ISOTROPIC E-FIELD PROBE

| | |
|----------------------------------|--|
| CONSTRUCTION | Symmetrical design with triangular core. Built-in optical fiber for surface detection system. Built-in shielding against static charges. PEEK enclosure material (resistant to organic solvents, e.g., glycoether). |
| FREQUENCY | 10MHz to 3GHz; Linearity: ± 0.2 dB (30MHz to 3GHz) |
| DYNAMIC RANGE | 5 μ W/g to > 100mW/g; Linearity: ± 0.2 dB |
| OPTICAL SURFACE DETECTION | ± 0.2 mm repeatability in air and clear liquids over diffuse reflecting surfaces |
| DIMENSIONS | Overall length: 330mm (Tip Length: 16mm) Tip diameter: 6.8mm (Body diameter: 12mm) Distance from probe tip to dipole centers: 2.7mm |
| APPLICATION | General dosimetric measurements up to 3GHz Compliance tests of mobile phones Fast automatic scanning in arbitrary phantoms (ET3DV6) |

NOTE

1. The Probe parameters have been calibrated by the SPEAG. Please reference "APPENDIX D" for the Calibration Certification Report.
2. For frequencies above 800MHz, calibration in a rectangular wave-guide is used, because wave-guide size is manageable.
3. For frequencies below 800MHz, temperature transfer calibration is used because the wave-guide size becomes relatively large.



TWIN SAM V4.0

CONSTRUCTION The shell corresponds to the specifications of the Specific Anthropomorphic Mannequin (SAM) phantom defined in IEEE 1528-2003, EN 62209-1 and IEC 62209. It enables the dosimetric evaluation of left and right hand phone usage as well as body mounted usage at the flat phantom region. A cover prevents evaporation of the liquid. Reference markings on the phantom allow the complete setup of all predefined phantom positions and measurement grids by manually teaching three points with the robot.

SHELL THICKNESS 2 ± 0.2 mm

FILLING VOLUME Approx. 25 liters

DIMENSIONS Height: 810 mm; Length: 1000 mm; Width: 500 mm

SYSTEM VALIDATION KITS:

| | |
|-------------------------|--|
| CONSTRUCTION | Symmetrical dipole with 1/4 balun Enables measurement of feedpoint impedance with NWA Matched for use near flat phantoms filled with brain simulating solutions Includes distance holder and tripod adaptor |
| CALIBRATION | Calibrated SAR value for specified position and input power at the flat phantom in brain simulating solutions |
| FREQUENCY | 835, 1900 |
| RETURN LOSS | > 20 dB at specified validation position |
| POWER CAPABILITY | > 100 W ($f < 1\text{GHz}$); > 40 W ($f > 1\text{GHz}$) |
| OPTIONS | Dipoles for other frequencies or solutions and other calibration conditions upon request |

DEVICE HOLDER FOR SAM TWIN PHANTOM

CONSTRUCTION

The device holder for the GSM900/DCS1800/PCS1900 GSM/GPRS/CDMA Mobile Phone device is designed to cope with different positions given in the standard. It has two scales for the device rotation (with respect to the body axis) and the device inclination (with respect to the line between the ear reference points). The rotation centers for both scales is the ear reference point (ERP). Thus the device needs no repositioning when changing the angles. The holder has been made out of low-loss POM material having the following dielectric parameters: relative permittivity $\epsilon = 3$ and loss tangent $\delta = 0.02$. The amount of dielectric material has been reduced in the closest vicinity of the device, since measurements have suggested that the influence of the clamp on the test results could thus be lowered. The device holder for the portable device makes up of the polyethylene foam. The dielectric parameters of material close to the dielectric parameters of the air.

DATA ACQUISITION ELECTRONICS

CONSTRUCTION

The data acquisition electronics (DAE3) consists of a highly sensitive electrometer grade preamplifier with auto-zeroing, a channel and gain-switching multiplex, a fast 16 bit AD converter and a command decoder and control logic unit. Transmission to the measurement server is accomplished through an optical downlink for data and status information as well as an optical uplink for commands and the clock. The mechanical probe is mounting device includes two different sensor systems for frontal and sideways probe contacts. They are used for mechanical surface detection and probe collision detection. The input impedance of the DAE3 box is 200M Ω ; the inputs are symmetrical and floating. Common mode rejection is above 80 dB.

2.5 GENERAL DESCRIPTION OF THE SPATIAL PEAK SAR EVALUATION

The DASY4 post-processing software (SEMCAD) automatically executes the following procedures to calculate the field units from the micro-volt readings at the probe connector. The parameters used in the evaluation are stored in the configuration modules of the software:

| | | |
|--------------------|---------------------------|---|
| Probe parameters: | - Sensitivity | Norm _i , a _{i0} , a _{i1} , a _{i2} |
| | - Conversion factor | ConvF _i |
| | - Diode compression point | dcp _i |
| Device parameters: | - Frequency | F |
| | - Crest factor | Cf |
| Media parameters: | - Conductivity | σ |
| | - Density | ρ |

The first step of the evaluation is a linearization of the filtered input signal to account for the compression characteristics of the detector diode. The compensation depends on the input signal, the diode type and the DC-transmission factor from the diode to the evaluation electronics. If the exciting field is pulsed, the crest factor of the signal must be known to correctly compensate for peak power. The formula for each channel can be given as:

$$V_i = U_i + U_i^2 \cdot \frac{cf}{dcp_i}$$

| | | |
|------------------|----------------------------------|------------------|
| V _i | =compensated signal of channel i | (i = x, y, z) |
| U _i | =input signal of channel I | (i = x, y, z) |
| Cf | =crest factor of exciting field | (DASY parameter) |
| dcp _i | =diode compression point | (DASY parameter) |

From the compensated input signals the primary field data for each channel can be evaluated:

$$\text{E-field probes: } E_i = \sqrt{\frac{V_i}{\text{Norm}_i \cdot \text{Conv}F}}$$

$$\text{H-field probes: } H_i = \sqrt{V_i} \cdot \frac{a_{i0} + a_{i1}f + a_{i2}f^2}{f}$$

V_i = compensated signal of channel i ($i = x, y, z$)

Norm_i = sensor sensitivity of channel i $\mu\text{V}/(\text{V/m})^2$ for ($i = x, y, z$)
E-field Probes

$\text{Conv}F$ = sensitivity enhancement in solution

a_{ij} = sensor sensitivity factors for H-field probes

F = carrier frequency [GHz]

E_i = electric field strength of channel i in V/m

H_i = magnetic field strength of channel i in A/m

The RSS value of the field components gives the total field strength (Hermitian magnitude):

$$E_{tot} = \sqrt{E_x^2 + E_y^2 + E_z^2}$$

The primary field data are used to calculate the derived field units.

$$SAR = E_{tot}^2 \cdot \frac{\sigma}{\rho \cdot 1'000}$$

SAR = local specific absorption rate in mW/g

E_{tot} = total field strength in V/m

σ = conductivity in [mho/m] or [Siemens/m]

ρ = equivalent tissue density in g/cm³

Note that the density is set to 1, to account for actual head tissue density rather than the density of the tissue simulating liquid. The entire evaluation of the spatial peak values is performed within the Post-processing engine (SEMCAD). The system always gives the maximum values for the 1 g and 10 g cubes. The algorithm to find the cube with highest averaged SAR is divided into the following stages:

1. The extraction of the measured data (grid and values) from the Zoom Scan
2. The calculation of the SAR value at every measurement point based on all stored data (A/D values and measurement parameters)
3. The generation of a high-resolution mesh within the measured volume
4. The interpolation of all measured values from the measurement grid to the high-resolution grid
5. The extrapolation of the entire 3-D field distribution to the phantom surface over the distance from sensor to surface
6. The calculation of the averaged SAR within masses of 1 g and 10 g.

The probe is calibrated at the center of the dipole sensors that is located 1 to 2.7mm away from the probe tip. During measurements, the probe stops shortly above the phantom surface, depending on the probe and the surface detecting system. Both distances are included as parameters in the probe configuration file. The software always knows exactly how far away the measured point is from the surface. As the probe cannot directly measure at the surface, the values between the deepest measured point and the surface must be extrapolated. The angle between the probe axis and the surface normal line is less than 30 degree.

In the Area Scan, the gradient of the interpolation function is evaluated to find all the extreme of the SAR distribution. The uncertainty on the locations of the extreme is less than 1/20 of the grid size. Only local maximum within -2 dB of the global maximum are searched and passed for the Cube Scan measurement. In the Cube Scan, the interpolation function is used to extrapolate the Peak SAR from the lowest measurement points to the inner phantom surface (the extrapolation distance). The uncertainty increases with the extrapolation distance. To keep the uncertainty within 1% for the 1 g and 10 g cubes, the extrapolation distance should not be larger than 5mm.

The maximum search is automatically performed after each area scan measurement. It is based on splines in two or three dimensions. The procedure can find the maximum for most SAR distributions even with relatively large grid spacing. After the area scanning measurement, the probe is automatically moved to a position at the interpolated maximum. The following scan can directly use this position for reference, e.g., for a finer resolution grid or the cube evaluations. The 1g and 10g peak evaluations are only available for the predefined cube 7 x 7 x 7 scans. The routines are verified and optimized for the grid dimensions used in these cube measurements. The measured volume of 30 x 30 x 30mm contains about 30g of tissue. The first procedure is an extrapolation (incl. boundary correction) to get the points between the lowest measured plane and the surface. The next step uses 3D interpolation to get all points within the measured volume in a 1mm grid (42875 points). In the last step, a 1g cube is placed numerically into the volume and its averaged SAR is calculated. This cube is then moved around until the highest averaged SAR is found. If the highest SAR is found at the edge of the measured volume, the system will issue a warning: higher SAR values might be found outside of the measured volume. In that case the cube measurement can be repeated, using the new interpolated maximum as the center.



3. DESCRIPTION OF SUPPORT UNITS

The EUT has been tested as an independent unit together with other necessary accessories or support units. The following support units or accessories were used to form a representative test configuration during the tests.

| NO. | PRODUCT | BRAND | MODEL NO. | SERIAL NO. | CALIBRATED UNTIL |
|-----|--------------------------------------|-------|-----------|------------|------------------|
| 1 | Universal Radio Communication Tester | R&S | CMU200 | 101372 | Nov. 25, 2008 |

| NO. | SIGNAL CABLE DESCRIPTION OF THE ABOVE SUPPORT UNITS |
|-----|---|
| 1 | NA |

NOTE: All power cords of the above support units are non shielded (1.8m).

4. DESCRIPTION OF TEST POSITION

4.1 DESCRIPTION OF TEST POSITION

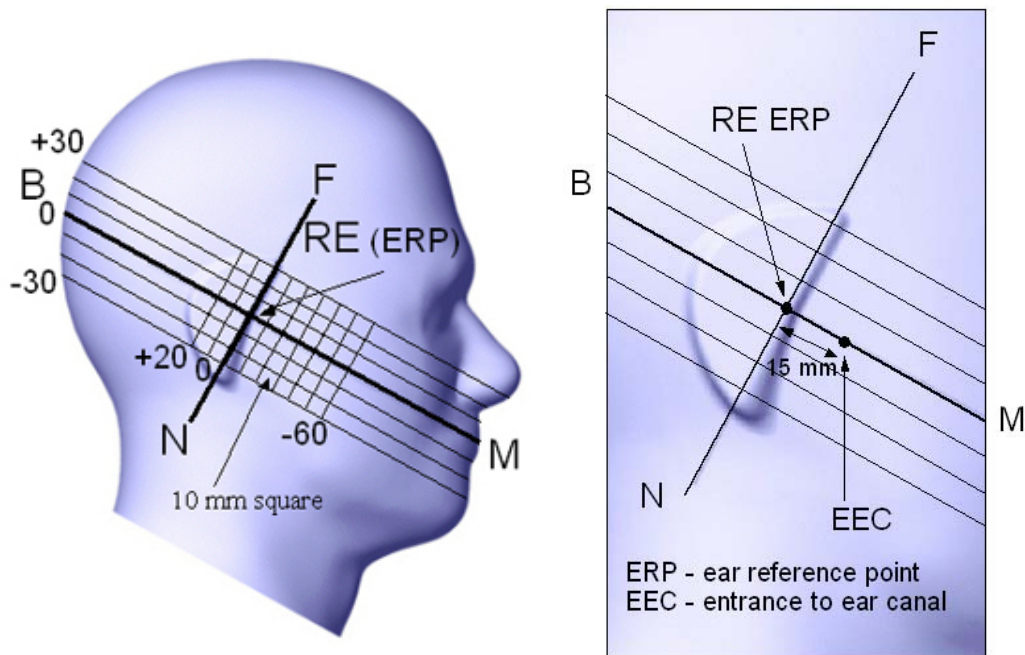


FIGURE 3.1

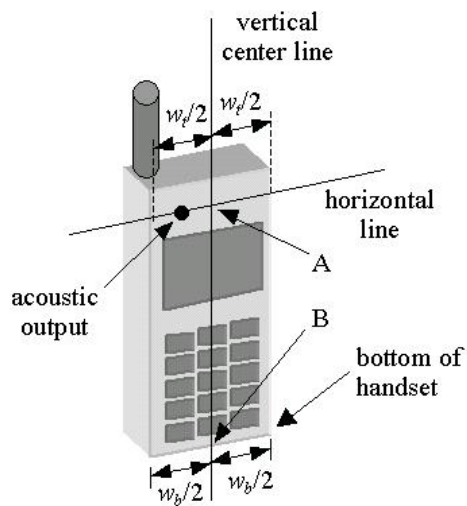


FIGURE 3.1a

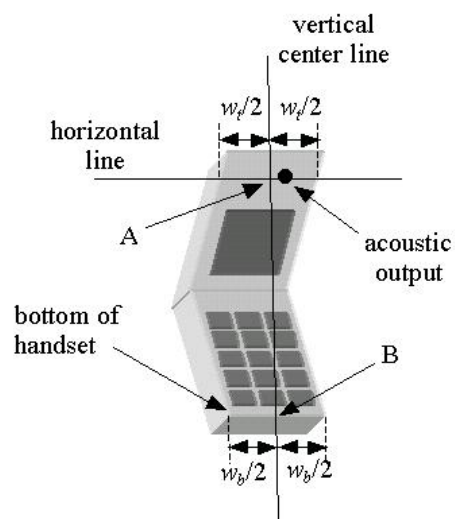
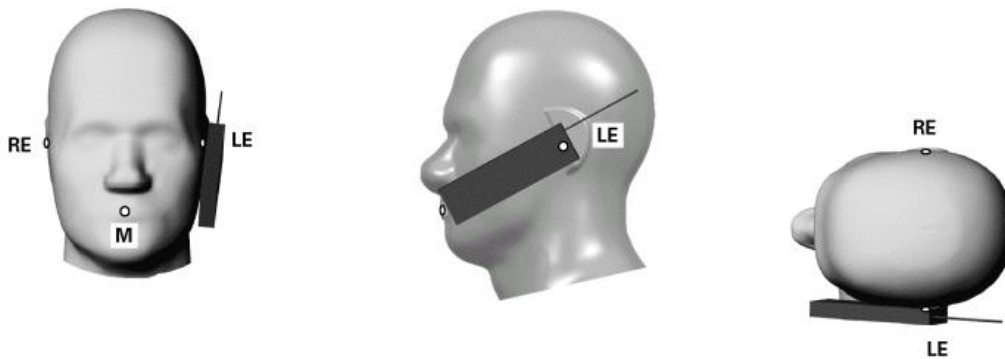


FIGURE 3.1b

4.2.1 TOUCH/CHEEK TEST POSITION

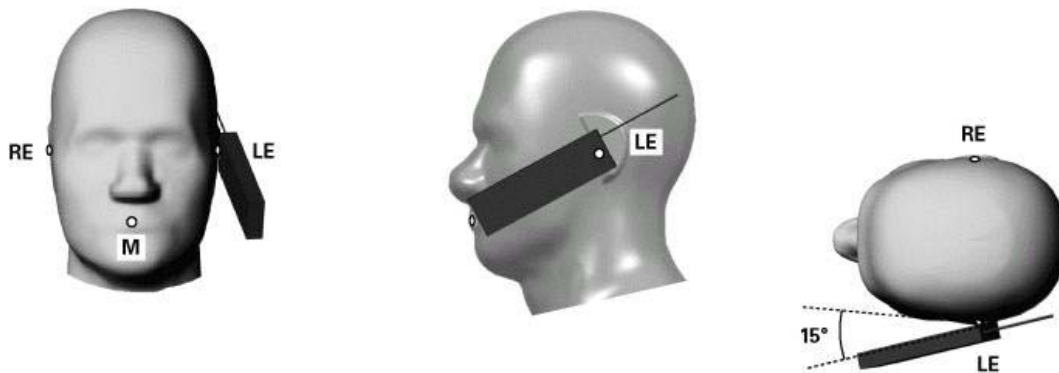
The head position in Figure 3.1, the ear reference points ERP are 15mm above entrance to ear canal along the B-M line. The line N-F (Neck-Front) is perpendicular to the B-M (Back Mouth) line. The handset device in Figure 3.1a and 3.1b, The vertical centerline pass through two points on the front side of handset: the midpoint of the width w_t of the handset at the level of the acoustic output (point A) and the midpoint of the width w_b of the bottom of the handset (point B). The vertical centerline is perpendicular to the horizontal line and pass through the center of the acoustic output. The point A touches the ERP and the vertical centerline of the handset is parallel to the B-M line. While maintaining the point A contact with the ear(ERP), rotate the handset about the line NF until any point on handset is in contact with the cheek of the phantom



TOUCH/CHEEK POSITION FIGURE

4.2.2 TILT TEST POSITION

Adjust the device in the cheek position. While maintaining a point of the handset contact in the ear, move the bottom of the handset away from the mouth by an angle of 15 degrees.



TILT POSITION FIGURE

4.2.3 BODY-WORN CONFIGURATION

The handset device attached the belt clip or the holster. The keypad face of the handset is against with the bottom of the flat phantom face and the bottom of the keypad face contact to the bottom of the flat phantom.

When multiple accessories that do not contain metallic components are supplied with the device, the device may be tested with only the accessory that dictates the closest spacing to the body. When multiple accessories that contain metallic components are supplied with the device, the device must be tested with each accessory that contains a unique metallic component. If multiple accessories share an identical metallic component (e.g., the same metallic belt-clip used with different holsters with no other metallic components), only accessory that dictates the closest spacing to the body must be tested.

4.2 DESCRIPTION OF TEST MODE

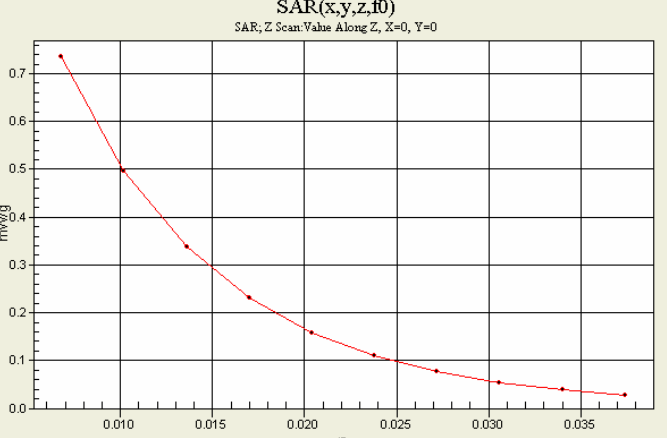
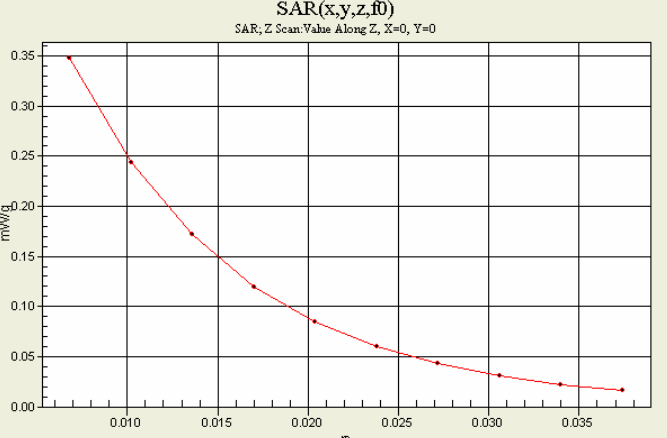
| TEST MODE | COMMUNICATION MODE | MODULATION TYPE | ASSESSMENT POSITION | TESTED CHANNEL |
|-----------|--------------------|-----------------|---------------------|----------------|
| 1 | GSM850 | GMSK | A / Cheek | 190 |
| 2 | | | A / Tilt | 190 |
| 3 | | | B / Cheek | 190 |
| 4 | | | B / Tilt | 190 |
| 5 | GPRS850 TS1 | GPRS | C : Body / Bottom | 190 |
| 6 | GPRS850 TS2 | | C : Body / Bottom | 190 |
| 7 | GPRS850 TS3 | | C : Body / Bottom | 128, 190, 251 |
| 8 | GPRS850 TS4 | | C : Body / Bottom | 128, 190, 251 |
| 9 | | | C : Body / Front | 251 |
| 10 | E-GPRS850 TS1 | 8PSK | C : Body / Bottom | 190 |
| 11 | E-GPRS850 TS2 | | C : Body / Bottom | 190 |
| 12 | E-GPRS850 TS3 | | C : Body / Bottom | 190 |
| 13 | E-GPRS850 TS4 | | C : Body / Bottom | 190 |
| 14 | E-GPRS850 TS4 | | C : Body / Front | 190 |
| 15 | GSM850 | GMSK | C : Body / Bottom | 190 |
| 16 | | | C : Body / Front | 190 |
| 17 | WCDMA850 | BPSK | A / Cheek | 4182 |
| 18 | | | A / Tilt | 4182 |
| 19 | | | B / Cheek | 4182 |
| 20 | | | B / Tilt | 4182 |
| 21 | | | C : Body / Bottom | 4182 |
| 22 | HSDPA850 | HPSK | C : Body / Bottom | 4182 |
| 23 | WCDMA850 | BPSK | C : Body / Front | 4182 |

| TEST MODE | COMMUNICATION MODE | MODULATION TYPE | ASSESSMENT POSITION | TESTED CHANNEL |
|-----------|--------------------|-----------------|---------------------|------------------|
| 24 | PCS1900 | GMSK | A / Cheek | 661 |
| 25 | | | A / Tilt | 661 |
| 26 | | | B / Cheek | 661 |
| 27 | | | B / Tilt | 661 |
| 28 | GPRS1900 TS1 | GPRS | C : Body / Bottom | 661 |
| 29 | GPRS1900 TS2 | | C : Body / Bottom | 661 |
| 30 | GPRS1900 TS3 | | C : Body / Bottom | 661 |
| 31 | GPRS1900 TS4 | | C : Body / Bottom | 661 |
| 32 | GPRS1900 TS4 | | C : Body / Front | 661 |
| 33 | E-GPRS1900 TS1 | 8PSK | C : Body / Bottom | 661 |
| 34 | E-GPRS1900 TS2 | | C : Body / Bottom | 661 |
| 35 | E-GPRS1900 TS3 | | C : Body / Bottom | 661 |
| 36 | E-GPRS1900 TS4 | | C : Body / Bottom | 661 |
| 37 | E-GPRS1900 TS4 | | C : Body / Front | 661 |
| 38 | PCS1900 | GMSK | C : Body / Bottom | 661 |
| 39 | | | C : Body / Front | 661 |
| 40 | WCDMA1900 | BPSK | A / Cheek | 9262, 9400, 9538 |
| 41 | | | A / Tilt | 9262, 9400, 9538 |
| 42 | | | B / Cheek | 9262, 9400, 9538 |
| 43 | | | B / Tilt | 9262, 9400, 9538 |
| 44 | | | C : Body / Bottom | 9400 |
| 45 | HSDPA1900 | HPSK | C : Body / Bottom | 9400 |
| 46 | WCDMA1900 | BPSK | C : Body / Front | 9400 |

NOTE 1: Assessment position A: Right head position, B: Left head position, C: Body position, please refer to appendix E for the photo.

NOTE 2: According to FCC OET bulletin 65 supplement C and Public notice DA 02-1438
 “If the SAR measured at the middle channel for each test configuration (left, right, Cheek / Touch, Tilt/Ear, extended and retracted) is at least 3.0 dB lower than the SAR limit, testing at the high and low channels is optional for such test configuration(s).” therefore, many test configurations only measure middle channel .

Followed Mobile and Portable device RF exposure policies (Document 44798 D01) section 2) b) ii), additional SAR requirement was evaluated. And here is the measured result of peak SAR value.

| TEST POSITION | SAR VALUE (mW/g) | PLOT |
|--------------------------------------|------------------|---|
| INITIAL POSITION | 0.735 |  <p>SAR(x,y,z,f₀) SAR; Z Scan: Value Along Z, X=0, Y=0</p> |
| 5mm INCREMENTS FROM INITIAL POSITION | 0.348 |  <p>SAR(x,y,z,f₀) SAR; Z Scan: Value Along Z, X=0, Y=0</p> |

THE WORST POSITION FROM EVALUATED RESULT: Initial position.

4.3 SUMMARY OF TEST RESULTS

| ITEM | | 1 | 2 | 3 | 4 |
|--------------------|--------------|----------------------------------|-------|-------|-------|
| PART OF ASSESSMENT | | HEAD POSITION | | | |
| COMMUNICATION MODE | | GSM850 | | | |
| CHAN. | FREQ. (MHz) | MEASURED VALUE OF 1g SAR (W/kg) | | | |
| 190 | 836.6 (Mid.) | 0.684 | 0.492 | 0.559 | 0.459 |

| ITEM | | 5 | 6 | 7 | 8 | 9 |
|--------------------|--------------|----------------------------------|-------------|-------------|-------------|-------------|
| PART OF ASSESSMENT | | BODY POSITION | | | | |
| COMMUNICATION MODE | | GPRS850 TS1 | GPRS850 TS2 | GPRS850 TS3 | GPRS850 TS4 | GPRS850 TS4 |
| CHAN. | FREQ. (MHz) | MEASURED VALUE OF 1g SAR (W/kg) | | | | |
| 128 | 824.2 (Low) | - | - | 0.917 | 1.200 | - |
| 190 | 836.6 (Mid.) | 0.387 | 0.714 | 0.969 | 1.240 | - |
| 251 | 848.8 (High) | - | - | 0.971 | 1.300 | 0.644 |

| ITEM | | 10 | 11 | 12 | 13 | 14 | 15 | 16 |
|--------------------|--------------|----------------------------------|---------------|---------------|---------------|---------------|--------|--------|
| PART OF ASSESSMENT | | BODY POSITION | | | | | | |
| COMMUNICATION MODE | | E-GPRS850 TS1 | E-GPRS850 TS2 | E-GPRS850 TS3 | E-GPRS850 TS4 | E-GPRS850 TS4 | GSM850 | GSM850 |
| CHAN. | FREQ. (MHz) | MEASURED VALUE OF 1g SAR (W/kg) | | | | | | |
| 190 | 836.6 (Mid.) | 0.105 | 0.205 | 0.294 | 0.379 | 0.214 | 0.367 | 0.189 |

| ITEM | | 17 | 18 | 19 | 20 |
|--------------------|--------------|----------------------------------|-------|-------|-------|
| PART OF ASSESSMENT | | HEAD POSITION | | | |
| COMMUNICATION MODE | | WCDMA850 | | | |
| CHAN. | FREQ. (MHz) | MEASURED VALUE OF 1g SAR (W/kg) | | | |
| 4182 | 836.4 (Mid.) | 0.393 | 0.316 | 0.337 | 0.283 |

| ITEM | | 21 | 22 | 23 |
|--------------------|--------------|----------------------------------|----------|----------|
| PART OF ASSESSMENT | | BODY POSITION | | |
| COMMUNICATION MODE | | WCDMA850 | HSDPA850 | WCDMA850 |
| CHAN. | FREQ. (MHz) | MEASURED VALUE OF 1g SAR (W/kg) | | |
| 4182 | 836.4 (Mid.) | 0.265 | 0.207 | 0.139 |

| ITEM | | 24 | 25 | 26 | 27 |
|--------------------|-------------|----------------------------------|-------|-------|-------|
| PART OF ASSESSMENT | | HEAD POSITION | | | |
| COMMUNICATION MODE | | PCS1900 | | | |
| CHAN. | FREQ. (MHz) | MEASURED VALUE OF 1g SAR (W/kg) | | | |
| 661 | 1880 (Mid.) | 0.713 | 0.635 | 0.449 | 0.498 |

| ITEM | | 28 | 29 | 30 | 31 | 32 |
|--------------------|-------------|----------------------------------|--------------|--------------|--------------|--------------|
| PART OF ASSESSMENT | | BODY POSITION | | | | |
| COMMUNICATION MODE | | GPRS1900 TS1 | GPRS1900 TS2 | GPRS1900 TS3 | GPRS1900 TS4 | GPRS1900 TS4 |
| CHAN. | FREQ. (MHz) | MEASURED VALUE OF 1g SAR (W/kg) | | | | |
| 661 | 1880 (Mid.) | 0.151 | 0.275 | 0.382 | 0.490 | 0.472 |

| ITEM | | 33 | 34 | 35 | 36 | 37 | 38 | 39 |
|--------------------|-------------|----------------------------------|----------------|----------------|----------------|----------------|---------|---------|
| PART OF ASSESSMENT | | BODY POSITION | | | | | | |
| COMMUNICATION MODE | | E-GPRS1900 TS1 | E-GPRS1900 TS2 | E-GPRS1900 TS3 | E-GPRS1900 TS4 | E-GPRS1900 TS4 | GSM1900 | GSM1900 |
| CHAN. | FREQ. (MHz) | MEASURED VALUE OF 1g SAR (W/kg) | | | | | | |
| 661 | 1880 (Mid.) | 0.079 | 0.156 | 0.202 | 0.275 | 0.268 | 0.146 | 0.143 |

| ITEM | | 40 | 41 | 42 | 43 |
|--------------------|---------------|----------------------------------|-------|-------|-------|
| PART OF ASSESSMENT | | HEAD POSITION | | | |
| COMMUNICATION MODE | | WCDMA1900 | | | |
| CHAN. | FREQ. (MHz) | MEASURED VALUE OF 1g SAR (W/kg) | | | |
| 9262 | 1852.4 (Low) | 1.470 | 1.250 | 1.030 | 1.060 |
| 9400 | 1880.0 (Mid.) | 1.080 | 0.852 | 0.673 | 0.705 |
| 9538 | 1907.6 (High) | 1.120 | 0.968 | 0.748 | 0.763 |

| ITEM | | 21 | 22 | 23 |
|--------------------|---------------|----------------------------------|-----------|-----------|
| PART OF ASSESSMENT | | BODY POSITION | | |
| COMMUNICATION MODE | | WCDMA1900 | HSDPA1900 | WCDMA1900 |
| CHAN. | FREQ. (MHz) | MEASURED VALUE OF 1g SAR (W/kg) | | |
| 9400 | 1880.0 (Mid.) | 0.194 | 0.138 | 0.149 |

NOTE: The worst value of each communication has been marked by boldface.

5. TEST RESULTS

5.1 TEST PROCEDURES

The EUT (Pocket PC Phone) makes a phone call to the communication simulator station. Establish the simulation communication configuration rather the actual communication. Then the EUT could continuous the transmission mode. Adjust the PCL of the base station could controlled the EUT to transmitted the maximum output power. The base station also could control the transmission channel. The SAR value was calculated via the 3D spline interpolation algorithm that has been implemented in the software of DASY4 SAR measurement system manufactured and calibrated by SPEAG. According to the IEEE 1528 / EN 62209-1, the recommended procedure for assessing the peak spatial-average SAR value consists of the following steps:

- Power reference measurement
- Verification of the power reference measurement
- Area scan
- Zoom scan
- Power reference measurement

The area scan with 15mm x 15mm grid was performed for the highest spatial SAR location. Consist of 11 x 13 points while the scan size is the 150mm x 180mm. The zoom scan with 30mm x 30mm x 30mm volume was performed for SAR value averaged over 1g and 10g spatial volumes.

In the zoom scan, the distance between the measurement point at the probe sensor location (geometric center behind the probe tip) and the phantom surface is 4.0 mm and maintained at a constant distance of ± 1.0 mm during a zoom scan to determine peak SAR locations. The distance is 4mm between the first measurement point and the bottom surface of the phantom. The secondary measurement point to the bottom surface of the phantom is with 9mm separation distance. The cube size is 7 x 7 x 7 points consist of 343 points and the grid space is 5mm.

The measurement time is 0.5 s at each point of the zoom scan. The probe boundary effect compensation shall be applied during the SAR test. Because of the tip of the probe to the Phantom surface separated distances are longer than half a tip probe diameter.

In the area scan, the separation distance is 4mm between the each measurement point and the phantom surface. The scan size shall be included the transmission portion of the EUT. The measurement time is the same as the zoom scan. At last the reference power drift shall be less than $\pm 5\%$.

5.2 MEASURED SAR RESULTS

GSM850 BAND HEAD POSITION

| ENVIRONMENTAL CONDITION | | Air Temperature : 23.2°C, Liquid Temperature : 22.4°C Humidity : 60%RH | | | | | |
|--------------------------------|--------------|---|---------------------|------------|-----------------|---------------------------|------------------------|
| TESTED BY | | Sam Onn | | | DATE | | Jul. 25, 2008 |
| CHAN. | FREQ. (MHz) | MODULATION TYPE | CONDUCTED POWER (W) | | POWER DRIFT (%) | DEVICE TEST POSITION MODE | MEASURED 1g SAR (W/kg) |
| | | | BEGIN TEST | AFTER TEST | | | |
| 190 | 836.6 (Mid.) | GMSK | 1.972 | 1.957 | -0.76 | 1 | 0.684 |
| 190 | 836.6 (Mid.) | GMSK | 1.972 | 1.953 | -0.96 | 2 | 0.492 |
| 190 | 836.6 (Mid.) | GMSK | 1.972 | 1.950 | -1.12 | 3 | 0.559 |
| 190 | 836.6 (Mid.) | GMSK | 1.972 | 1.947 | -1.27 | 4 | 0.459 |

NOTE:

1. Test configuration of each mode is described in section 3.
2. In this testing, the limit for General Population Spatial Peak averaged over **1g, 1.6W/kg**, is applied.
3. Please see the Appendix A for the data.
4. The variation of the EUT conducted power measured before and after SAR testing should not over 5%.



**GPRS850 TS1 / GPRS850 TS2 / GPRS850 TS3 / GPRS850 TS4
BAND BODY POSITION**

| ENVIRONMENTAL CONDITION | | Air Temperature : 23.6°C, Liquid Temperature : 22.6°C Humidity : 61%RH | | | | | |
|--------------------------------|-----------------|---|---------------------|------------|--------------------|---------------------------------|---------------------------|
| TESTED BY | | Sam Onn | | | DATE | Jul. 26, 2008 | |
| CHAN. | FREQ. (MHz) | MODULATION TYPE | CONDUCTED POWER (W) | | POWER DRIFT (%) | DEVICE TEST POSITION MODE | MEASURED 1g SAR (W/kg) |
| | | | BEGIN TEST | AFTER TEST | | | |
| 190 | 836.6 (Mid.) | GPRS | 1.932 | 1.923 | -0.47 | 0.387 | 5 |
| 190 | 836.6 (Mid.) | GPRS | 1.932 | 1.921 | -0.57 | 0.714 | 6 |
| 128 | 824.2 (Low) | GPRS | 1.897 | 1.882 | -0.79 | 0.917 | 7 |
| 190 | 836.6 (Mid.) | GPRS | 1.884 | 1.868 | -0.85 | 0.969 | 7 |
| 251 | 848.8 (High) | GPRS | 1.888 | 1.871 | -0.90 | 0.971 | 7 |
| 128 | 824.2 (Low) | GPRS | 1.866 | 1.846 | -1.07 | 1.200 | 8 |
| 190 | 836.6 (Mid.) | GPRS | 1.879 | 1.857 | -1.17 | 1.240 | 8 |
| 251 | 848.8 (High) | GPRS | 1.884 | 1.861 | -1.22 | 1.300 | 8 |
| 251 | 848.8 (High) | GPRS | 1.884 | 1.859 | -1.33 | 0.644 | 9 |

NOTE:

1. Test configuration of each mode is described in section 3.
2. In this testing, the limit for General Population Spatial Peak averaged over **1g, 1.6W/kg**, is applied.
3. Please see the Appendix A for the data.
4. The variation of the EUT conducted power measured before and after SAR testing should not over 5%.



**E-GPRS850 TS1 / E-GPRS850 TS2 / E-GPRS850 TS3 / E-GPRS850 TS4
BAND BODY POSITION**

| ENVIRONMENTAL CONDITION | | Air Temperature : 23.6°C, Liquid Temperature : 22.6°C Humidity : 61%RH | | | | | |
|--------------------------------|-----------------|---|---------------------|------------|--------------------|---------------------------------|---------------------------|
| TESTED BY | | Sam Onn | | | DATE | Jul. 26, 2008 | |
| CHAN. | FREQ. (MHz) | MODULATION TYPE | CONDUCTED POWER (W) | | POWER DRIFT (%) | DEVICE TEST POSITION MODE | MEASURED 1g SAR (W/kg) |
| | | | BEGIN TEST | AFTER TEST | | | |
| 190 | 836.6 (Mid.) | 8PSK | 0.443 | 0.441 | -0.45 | 0.105 | 10 |
| 190 | 836.6 (Mid.) | 8PSK | 0.442 | 0.439 | -0.68 | 0.205 | 11 |
| 190 | 836.6 (Mid.) | 8PSK | 0.438 | 0.434 | -0.91 | 0.294 | 12 |
| 190 | 836.6 (Mid.) | 8PSK | 0.430 | 0.426 | -0.93 | 0.379 | 13 |
| 190 | 836.6 (Mid.) | 8PSK | 0.430 | 0.425 | -1.16 | 0.214 | 14 |

NOTE:

1. Test configuration of each mode is described in section 3.
2. In this testing, the limit for General Population Spatial Peak averaged over **1g, 1.6W/kg**, is applied.
3. Please see the Appendix A for the data.
4. The variation of the EUT conducted power measured before and after SAR testing should not over 5%.

GSM 850 BAND BODY POSITION

| ENVIRONMENTAL CONDITION | | Air Temperature : 23.6°C, Liquid Temperature : 22.6°C Humidity : 61%RH | | | | | |
|--------------------------------|--------------|---|---------------------|------------|-----------------|---------------------------|------------------------|
| TESTED BY | | Sam Onn | | | DATE | | Jul. 26, 2008 |
| CHAN. | FREQ. (MHz) | MODULATION TYPE | CONDUCTED POWER (W) | | POWER DRIFT (%) | DEVICE TEST POSITION MODE | MEASURED 1g SAR (W/kg) |
| | | | BEGIN TEST | AFTER TEST | | | |
| 190 | 836.6 (Mid.) | GMSK | 1.972 | 1.947 | -1.27 | 15 | 0.367 |
| 190 | 836.6 (Mid.) | GMSK | 1.972 | 1.946 | -1.32 | 16 | 0.189 |

NOTE:

1. Test configuration of each mode is described in section 3.
2. In this testing, the limit for General Population Spatial Peak averaged over **1g, 1.6W/kg**, is applied.
3. Please see the Appendix A for the data.
4. The variation of the EUT conducted power measured before and after SAR testing should not over 5%.



WCDMA850 BAND HEAD POSITION

| ENVIRONMENTAL CONDITION | | Air Temperature : 23.2°C, Liquid Temperature : 22.4°C Humidity : 60%RH | | | | | |
|--------------------------------|--------------|---|---------------------|------------|-----------------|---------------------------|------------------------|
| TESTED BY | | Sam Onn | | | DATE | Jul. 25, 2008 | |
| CHAN. | FREQ. (MHz) | MODULATION TYPE | CONDUCTED POWER (W) | | POWER DRIFT (%) | DEVICE TEST POSITION MODE | MEASURED 1g SAR (W/kg) |
| | | | BEGIN TEST | AFTER TEST | | | |
| 4182 | 836.4 (Mid.) | BPSK | 0.217 | 0.215 | -0.92 | 17 | 0.393 |
| 4182 | 836.4 (Mid.) | BPSK | 0.217 | 0.214 | -1.38 | 18 | 0.316 |
| 4182 | 836.4 (Mid.) | BPSK | 0.217 | 0.213 | -1.84 | 19 | 0.337 |
| 4182 | 836.4 (Mid.) | BPSK | 0.217 | 0.212 | -2.30 | 20 | 0.283 |

NOTE:

1. Test configuration of each mode is described in section 3.
2. In this testing, the limit for General Population Spatial Peak averaged over **1g, 1.6W/kg**, is applied.
3. Please see the Appendix A for the data.
4. The variation of the EUT conducted power measured before and after SAR testing should not over 5%.



WCDMA850 / HSDPA850 BAND BODY POSITION

| ENVIRONMENTAL CONDITION | | Air Temperature : 23.6°C, Liquid Temperature : 22.6°C Humidity : 61%RH | | | | | |
|--------------------------------|--------------|---|---------------------|------------|-----------------|---------------------------|------------------------|
| TESTED BY | | Sam Onn | | | DATE | Jul. 26, 2008 | |
| CHAN. | FREQ. (MHz) | MODULATION TYPE | CONDUCTED POWER (W) | | POWER DRIFT (%) | DEVICE TEST POSITION MODE | MEASURED 1g SAR (W/kg) |
| | | | BEGIN TEST | AFTER TEST | | | |
| 4182 | 836.4 (Mid.) | BPSK | 0.217 | 0.216 | -0.46 | 21 | 0.265 |
| 4182 | 836.4 (Mid.) | HPSK | 0.177 | 0.176 | -0.56 | 22 | 0.207 |
| 4182 | 836.4 (Mid.) | BPSK | 0.217 | 0.215 | -0.92 | 23 | 0.139 |

NOTE:

1. Test configuration of each mode is described in section 3.
2. In this testing, the limit for General Population Spatial Peak averaged over **1g, 1.6W/kg**, is applied.
3. Please see the Appendix A for the data.
4. The variation of the EUT conducted power measured before and after SAR testing should not over 5%.

PCS1900 BAND HEAD POSITION

| ENVIRONMENTAL CONDITION | | Air Temperature : 23.6°C, Liquid Temperature : 22.3°C Humidity : 58%RH | | | | | |
|--------------------------------|---------------|---|---------------------|------------|-----------------|---------------------------|------------------------|
| TESTED BY | | Sam Onn | | | DATE | Jul. 29, 2008 | |
| CHAN. | FREQ. (MHz) | MODULATION TYPE | CONDUCTED POWER (W) | | POWER DRIFT (%) | DEVICE TEST POSITION MODE | MEASURED 1g SAR (W/kg) |
| | | | BEGIN TEST | AFTER TEST | | | |
| 661 | 1880.0 (Mid.) | GMSK | 0.897 | 0.887 | -1.11 | 24 | 0.713 |
| 661 | 1880.0 (Mid.) | GMSK | 0.897 | 0.885 | -1.34 | 25 | 0.635 |
| 661 | 1880.0 (Mid.) | GMSK | 0.897 | 0.883 | -1.56 | 26 | 0.449 |
| 661 | 1880.0 (Mid.) | GMSK | 0.897 | 0.881 | -1.78 | 27 | 0.498 |

NOTE:

1. Test configuration of each mode is described in section 3.
2. In this testing, the limit for General Population Spatial Peak averaged over **1g, 1.6W/kg**, is applied.
3. Please see the Appendix A for the data.
4. The variation of the EUT conducted power measured before and after SAR testing should not over 5%.



**GPRS1900 TS1 / GPRS1900 TS2 / GPRS1900 TS3 / GPRS1900 TS4
BAND BODY POSITION**

| ENVIRONMENTAL CONDITION | | Air Temperature : 23.5°C, Liquid Temperature : 22.7°C Humidity : 58%RH | | | | | |
|--------------------------------|------------------|---|---------------------|------------|--------------------|---------------------------------|---------------------------|
| TESTED BY | | Sam Onn | | | DATE | | Jul. 31, 2008 |
| CHAN. | FREQ. (MHz) | MODULATION TYPE | CONDUCTED POWER (W) | | POWER DRIFT (%) | DEVICE TEST POSITION MODE | MEASURED 1g SAR (W/kg) |
| | | | BEGIN TEST | AFTER TEST | | | |
| 661 | 1880.0 (Mid.) | GPRS | 0.881 | 0.876 | -0.57 | 28 | 0.151 |
| 661 | 1880.0 (Mid.) | GPRS | 0.881 | 0.875 | -0.68 | 29 | 0.275 |
| 661 | 1880.0 (Mid.) | GPRS | 0.879 | 0.872 | -0.80 | 30 | 0.382 |
| 661 | 1880.0 (Mid.) | GPRS | 0.875 | 0.867 | -0.91 | 31 | 0.490 |
| 661 | 1880.0 (Mid.) | GPRS | 0.875 | 0.865 | -1.14 | 32 | 0.472 |

NOTE:

1. Test configuration of each mode is described in section 3.
2. In this testing, the limit for General Population Spatial Peak averaged over **1g, 1.6W/kg**, is applied.
3. Please see the Appendix A for the data.
4. The variation of the EUT conducted power measured before and after SAR testing should not over 5%.

**E-GPRS1900 TS1 / E-GPRS1900 TS2 / E-GPRS1900 TS3 / E-GPRS1900 TS4
BAND BODY POSITION**

| ENVIRONMENTAL CONDITION | | Air Temperature : 23.5°C, Liquid Temperature : 22.7°C Humidity : 58%RH | | | | | |
|--------------------------------|---------------|---|---------------------|------------|-----------------|---------------------------|------------------------|
| TESTED BY | | Sam Onn | | | DATE | | Jul. 31, 2008 |
| CHAN. | FREQ. (MHz) | MODULATION TYPE | CONDUCTED POWER (W) | | POWER DRIFT (%) | DEVICE TEST POSITION MODE | MEASURED 1g SAR (W/kg) |
| | | | BEGIN TEST | AFTER TEST | | | |
| 661 | 1880.0 (Mid.) | 8PSK | 0.333 | 0.331 | -0.60 | 33 | 0.079 |
| 661 | 1880.0 (Mid.) | 8PSK | 0.315 | 0.313 | -0.63 | 34 | 0.156 |
| 661 | 1880.0 (Mid.) | 8PSK | 0.313 | 0.310 | -0.96 | 35 | 0.202 |
| 661 | 1880.0 (Mid.) | 8PSK | 0.306 | 0.303 | -0.98 | 36 | 0.275 |
| 661 | 1880.0 (Mid.) | 8PSK | 0.306 | 0.302 | -1.31 | 37 | 0.268 |

NOTE:

1. Test configuration of each mode is described in section 3.
2. In this testing, the limit for General Population Spatial Peak averaged over **1g, 1.6W/kg**, is applied.
3. Please see the Appendix A for the data.
4. The variation of the EUT conducted power measured before and after SAR testing should not over 5%.

PCS1900 BAND BODY POSITION

| ENVIRONMENTAL CONDITION | | Air Temperature : 23.5°C, Liquid Temperature : 22.7°C Humidity : 58%RH | | | | | |
|--------------------------------|---------------|---|---------------------|------------|-----------------|---------------------------|------------------------|
| TESTED BY | | Sam Onn | | | DATE | | Jul. 31, 2008 |
| CHAN. | FREQ. (MHz) | MODULATION TYPE | CONDUCTED POWER (W) | | POWER DRIFT (%) | DEVICE TEST POSITION MODE | MEASURED 1g SAR (W/kg) |
| | | | BEGIN TEST | AFTER TEST | | | |
| 661 | 1880.0 (Mid.) | GMSK | 0.897 | 0.885 | -1.34 | 38 | 0.146 |
| 661 | 1880.0 (Mid.) | GMSK | 0.897 | 0.884 | -1.45 | 39 | 0.143 |

NOTE:

1. Test configuration of each mode is described in section 3.
2. In this testing, the limit for General Population Spatial Peak averaged over **1g, 1.6W/kg**, is applied.
3. Please see the Appendix A for the data.
4. The variation of the EUT conducted power measured before and after SAR testing should not over 5%.

WCDMA1900 BAND RIGHT HEAD POSITION

| ENVIRONMENTAL CONDITION | | Air Temperature : 23.6°C, Liquid Temperature : 22.3°C Humidity : 58%RH | | | | | |
|--------------------------------|---------------|---|---------------------|------------|-----------------|---------------------------|------------------------|
| TESTED BY | | Sam Onn | | | DATE | Jul. 29, 2008 | |
| CHAN. | FREQ. (MHz) | MODULATION TYPE | CONDUCTED POWER (W) | | POWER DRIFT (%) | DEVICE TEST POSITION MODE | MEASURED 1g SAR (W/kg) |
| | | | BEGIN TEST | AFTER TEST | | | |
| 9262 | 1852.4 (Low) | BPSK | 0.225 | 0.223 | -0.89 | 40 | 1.470 |
| 9400 | 1880.0 (Mid.) | BPSK | 0.213 | 0.211 | -0.94 | 40 | 1.080 |
| 9538 | 1907.6 (High) | BPSK | 0.215 | 0.213 | -0.93 | 40 | 1.120 |
| 9262 | 1852.4 (Low) | BPSK | 0.225 | 0.222 | -1.33 | 41 | 1.250 |
| 9400 | 1880.0 (Mid.) | BPSK | 0.213 | 0.210 | -1.41 | 41 | 0.852 |
| 9538 | 1907.6 (High) | BPSK | 0.215 | 0.212 | -1.40 | 41 | 0.968 |

NOTE:

1. Test configuration of each mode is described in section 3.
2. In this testing, the limit for General Population Spatial Peak averaged over **1g, 1.6W/kg**, is applied.
3. Please see the Appendix A for the data.
4. The variation of the EUT conducted power measured before and after SAR testing should not over 5%.

WCDMA1900 BAND LEFT HEAD POSITION

| ENVIRONMENTAL CONDITION | | Air Temperature : 23.6°C, Liquid Temperature : 22.3°C Humidity : 58%RH | | | | | |
|--------------------------------|------------------|---|---------------------|------------|--------------------|---------------------------------|---------------------------|
| TESTED BY | | Sam Onn | | | DATE | Jul. 29, 2008 | |
| CHAN. | FREQ. (MHz) | MODULATION TYPE | CONDUCTED POWER (W) | | POWER DRIFT (%) | DEVICE TEST POSITION MODE | MEASURED 1g SAR (W/kg) |
| | | | BEGIN TEST | AFTER TEST | | | |
| 9262 | 1852.4 (Low) | BPSK | 0.225 | 0.221 | -1.78 | 42 | 1.030 |
| 9400 | 1880.0 (Mid.) | BPSK | 0.213 | 0.209 | -1.88 | 42 | 0.673 |
| 9538 | 1907.6 (High) | BPSK | 0.215 | 0.210 | -2.33 | 42 | 0.748 |
| 9262 | 1852.4 (Low) | BPSK | 0.225 | 0.219 | -2.67 | 43 | 1.060 |
| 9400 | 1880.0 (Mid.) | BPSK | 0.213 | 0.207 | -2.82 | 43 | 0.705 |
| 9538 | 1907.6 (High) | BPSK | 0.215 | 0.209 | -2.79 | 43 | 0.763 |

NOTE:

1. Test configuration of each mode is described in section 3.
2. In this testing, the limit for General Population Spatial Peak averaged over **1g, 1.6W/kg**, is applied.
3. Please see the Appendix A for the data.
4. The variation of the EUT conducted power measured before and after SAR testing should not over 5%.



WCDMA1900/HSDPA1900 BAND BODY POSITION

| ENVIRONMENTAL CONDITION | | Air Temperature : 23.5°C, Liquid Temperature : 22.7°C Humidity : 58%RH | | | | | |
|--------------------------------|---------------|---|---------------------|------------|-----------------|---------------------------|------------------------|
| TESTED BY | | Sam Onn | | | DATE | Jul. 31, 2008 | |
| CHAN. | FREQ. (MHz) | MODULATION TYPE | CONDUCTED POWER (W) | | POWER DRIFT (%) | DEVICE TEST POSITION MODE | MEASURED 1g SAR (W/kg) |
| | | | BEGIN TEST | AFTER TEST | | | |
| 9400 | 1880.0 (Mid.) | BPSK | 0.213 | 0.211 | -0.94 | 44 | 0.194 |
| 9400 | 1880.0 (Mid.) | BPSK | 0.172 | 0.170 | -1.16 | 45 | 0.138 |
| 9400 | 1880.0 (Mid.) | BPSK | 0.213 | 0.210 | -1.41 | 46 | 0.149 |

NOTE:

1. Test configuration of each mode is described in section 3.
2. In this testing, the limit for General Population Spatial Peak averaged over **1g, 1.6W/kg**, is applied.
3. Please see the Appendix A for the data.
4. The variation of the EUT conducted power measured before and after SAR testing should not over 5%.

5.3 SAR LIMITS

| HUMAN EXPOSURE | SAR (W/kg) | |
|--|--|--|
| | (General Population / Uncontrolled Exposure Environment) | (Occupational / controlled Exposure Environment) |
| Spatial Average (whole body) | 0.08 | 0.4 |
| Spatial Peak (averaged over 1 g) | 1.6 | 8.0 |
| Spatial Peak (hands/wrists/feet/ankles averaged over 10 g) | 4.0 | 20.0 |

NOTE:

1. This limits accord to 47 CFR 2.1093 – Safety Limit.
2. The EUT property been complied with the partial body exposure limit under the general population environment.

5.4 RECIPES FOR TISSUE SIMULATING LIQUIDS

For the measurement of the field distribution inside the SAM phantom, the phantom must be filled with 25 liters of tissue simulation liquid.

The following ingredients are used :

- **WATER-** Deionized water (pure H₂O), resistivity $\approx 16 \text{ M}$ - as basis for the liquid
- **SUGAR-** Refined sugar in crystals, as available in food shops - to reduce relative permittivity
- **SALT-** Pure NaCl - to increase conductivity
- **CELLULOSE-** Hydroxyethyl-cellulose, medium viscosity (75-125 mPa.s, 2% in water, 20°C),
CAS # 54290 - to increase viscosity and to keep sugar in solution
- **PRESERVATIVE-** Preventol D-7 Bayer AG, D-51368 Leverkusen, CAS # 55965-84-9 - to prevent the spread of bacteria and molds
- **DGMBE-** Diethylenglycol-monobuthyl ether (DGMBE), Fluka Chemie GmbH, CAS # 112-34-5 - to reduce relative permittivity

THE RECIPES FOR 835MHz SIMULATING LIQUID TABLE

| INGREDIENT | HEAD SIMULATING LIQUID 835MHz (HSL-835) | MUSCLE SIMULATING LIQUID 835MHz (MSL-835) |
|-------------------------------------|--|--|
| Water | 40.28% | 50.07% |
| Cellulose | 02.41% | NA |
| Salt | 01.38% | 0.94% |
| Preventtol D-7 | 00.18% | 0.09% |
| Sugar | 57.97% | 48.2% |
| Dielectric Parameters at 22°C | f = 835MHz $\epsilon = 41.5 \pm 5\%$ $\sigma = 0.97 \pm 5\% \text{ S/m}$ | f = 835MHz $\epsilon = 55.0 \pm 5\%$ $\sigma = 1.05 \pm 5\% \text{ S/m}$ |

THE RECIPES FOR 1900MHz SIMULATING LIQUID TABLE

| INGREDIENT | HEAD SIMULATING LIQUID 1900MHz (HSL-1900) | MUSCLE SIMULATING LIQUID 1900MHz (MSL-1900) |
|-------------------------------------|--|--|
| Water | 55.24% | 70.16% |
| DGMBE | 44.45% | 29.44% |
| Salt | 0.306% | 00.39% |
| Dielectric Parameters at 22°C | f= 1900MHz $\epsilon = 40.0 \pm 5\%$ $\sigma = 1.40 \pm 5\% \text{ S/m}$ | f= 1900MHz $\epsilon = 53.3 \pm 5\%$ $\sigma = 1.52 \pm 5\% \text{ S/m}$ |

Testing the liquids using the Agilent Network Analyzer E8358A and Agilent Dielectric Probe Kit 85070D. The testing procedure is following as

1. Turn Network Analyzer on and allow at least 30 min. warm up.
2. Mount dielectric probe kit so that interconnecting cable to Network Analyzer will not be moved during measurements or calibration.
3. Pour de-ionized water and measure water temperature ($\pm 1^\circ$).
4. Set water temperature in Agilent-Software (Calibration Setup).
5. Perform calibration.
6. Validate calibration with dielectric material of known properties (e.g. polished ceramic slab with $>8\text{mm}$ thickness $\epsilon' = 10.0$, $\epsilon'' = 0.0$). If measured parameters do not fit within tolerance, repeat calibration (± 0.2 for ϵ' : ± 0.1 for ϵ'').
7. Conductivity can be calculated from ϵ'' by $\sigma = \omega \epsilon_0 \epsilon'' = \epsilon'' f [\text{GHz}] / 18$.
8. Measure liquid shortly after calibration. Repeat calibration every hour.
9. Stir the liquid to be measured. Take a sample ($\sim 50\text{ml}$) with a syringe from the center of the liquid container.
10. Pour the liquid into a small glass flask. Hold the syringe at the bottom of the flask to avoid air bubbles.
11. Put the dielectric probe in the glass flask. Check that there are no air bubbles in front of the opening in the dielectric probe kit.
12. Perform measurements.
13. Adjust medium parameters in DASY4 for the frequencies necessary for the measurements ('Setup Config', select medium (e.g. Brain 900 MHz) and press 'Option'-button.

Select the current medium for the frequency of the validation (e.g. Setup Medium Brain 900 MHz).



**FOR GSM 850 / WCDMA 850 BAND
SIMULATING LIQUID**

| LIQUID TYPE | | HSL-835 | | MSL-835 | |
|---|-------------------------------------|--|-------------------|--|-------------------|
| SIMULATING LIQUID TEMP. | | 22.4 | | 22.6 | |
| TESTED DATE | | Jul. 25, 2008 | | Jul. 26, 2008 | |
| TESTED BY | | Sam Onn | | Sam Onn | |
| FREQ. (MHz) | LIQUID PARAMETER | STANDARD VALUE | MEASUREMENT VALUE | STANDARD VALUE | MEASUREMENT VALUE |
| 824.2 | Permittivity (ϵ) | 42.10 | 41.80 | 55.20 | 57.30 |
| 826.4 | | 42.20 | 41.70 | 55.20 | 57.30 |
| 835.0 | | 42.20 | 41.60 | 55.20 | 57.20 |
| 836.4 | | 42.20 | 41.60 | 55.20 | 57.20 |
| 836.6 | | 42.20 | 41.60 | 55.20 | 57.20 |
| 846.6 | | 42.20 | 41.50 | 55.20 | 57.10 |
| 848.8 | | 42.20 | 41.40 | 55.20 | 57.10 |
| 824.2 | Conductivity (σ) S/m | 0.97 | 0.94 | 0.97 | 0.99 |
| 826.4 | | 0.97 | 0.94 | 0.97 | 0.99 |
| 835.0 | | 0.97 | 0.95 | 0.97 | 1.00 |
| 836.4 | | 0.97 | 0.95 | 0.97 | 1.00 |
| 836.6 | | 0.97 | 0.95 | 0.97 | 1.00 |
| 846.6 | | 0.97 | 0.96 | 0.98 | 1.01 |
| 848.8 | | 0.97 | 0.96 | 0.99 | 1.01 |
| Dielectric Parameters Required at 22°C | | f= 835MHz $\epsilon= 41.5 \pm 5\%$ $\sigma= 0.97 \pm 5\%$ S/m | | f= 835MHz $\epsilon= 55.0 \pm 5\%$ $\sigma= 1.05 \pm 5\%$ S/m | |

**FOR PCS1900 / WCDMA1900 BAND
SIMULATING LIQUID**

| LIQUID TYPE | | HSL-1900 | | MSL-1900 | |
|---|-------------------------------------|---|-------------------|---|-------------------|
| SIMULATING LIQUID TEMP. | | 22.3 | | 22.7 | |
| TESTED DATE | | Jul. 29, 2008 | | Jul. 31, 2008 | |
| TESTED BY | | Sam Onn | | Sam Onn | |
| FREQ. (MHz) | LIQUID PARAMETER | STANDARD VALUE | MEASUREMENT VALUE | STANDARD VALUE | MEASUREMENT VALUE |
| 1850.2 | Permittivity (ϵ) | 40.00 | 41.20 | 53.30 | 54.90 |
| 1852.4 | | 40.00 | 41.20 | 53.30 | 54.90 |
| 1880.0 | | 40.00 | 41.20 | 53.30 | 54.80 |
| 1900.0 | | 40.00 | 41.20 | 53.30 | 54.70 |
| 1907.6 | | 40.00 | 41.10 | 53.30 | 54.70 |
| 1909.8 | | 40.00 | 41.10 | 53.30 | 54.70 |
| 1850.2 | Conductivity (σ) S/m | 1.40 | 1.37 | 1.52 | 1.48 |
| 1852.4 | | 1.40 | 1.37 | 1.52 | 1.48 |
| 1880.0 | | 1.40 | 1.41 | 1.52 | 1.51 |
| 1900.0 | | 1.40 | 1.44 | 1.52 | 1.54 |
| 1907.6 | | 1.40 | 1.45 | 1.52 | 1.54 |
| 1909.8 | | 1.40 | 1.45 | 1.52 | 1.55 |
| Dielectric Parameters Required at 22°C | | f= 1900MHz $\epsilon= 40.0 \pm 5\%$ $\sigma= 1.40 \pm 5\%$ S/m | | f= 1900MHz $\epsilon= 53.3 \pm 5\%$ $\sigma= 1.52 \pm 5\%$ S/m | |



5.5 TEST EQUIPMENT FOR TISSUE PROPERTY

| ITEM | NAME | BAND | TYPE | SERIES NO. | CALIBRATED UNTIL |
|------|------------------|---------|--------|------------|------------------|
| 1 | Network Analyzer | Agilent | E8358A | US41480538 | Nov. 11, 2008 |
| 2 | Dielectric Probe | Agilent | 85070D | US01440176 | NA |

- NOTE:** 1. Before testing the measurement, all test equipment shall have 30 min warm up.
2. The tolerance ($k=1$) specified by Agilent for general dielectric measurements, deriving from inaccuracies in the calibration data, analyzer drift, and random errors, are usually $\pm 2.5\%$ and $\pm 5\%$ for measured permittivity and conductivity, respectively. However, the tolerances for the conductivity is smaller for material with large loss tangents, i.e., less than $\pm 2.5\%$ ($k=1$). It can be substantially smaller if more accurate methods are applied.



6. SYSTEM VALIDATION

The system validation was performed in the flat phantom with equipment listed in the following table. Since the SAR value is calculated from the measured electric field, dielectric constant and conductivity of the body tissue and the SAR is proportional to the square of the electric field. So, the SAR value will be also proportional to the RF power input to the system validation dipole under the same test environment. In our system validation test, 250mW RF input power was used.

6.1 TEST EQUIPMENT

| ITEM | NAME | BAND | TYPE | SERIES NO. | CALIBRATED UNTIL |
|------|------------------------------|----------------------|--------------|------------|------------------|
| 1 | SAM Phantom | S & P | QD000 P40 CA | TP-1150 | NA |
| 2 | Synthesized Signal Generator | Anritsu | 68247B | 984703 | May 26, 2009 |
| 3 | E-Field Probe | S & P | ET3DV6 | 1790 | Nov. 19, 2008 |
| 5 | DAE | S & P | DAE | 510 | Aug. 28, 2008 |
| 6 | Robot Positioner | Staubli Unimation | NA | NA | NA |
| 7 | Validation Dipole | S & P | D835V2 | 4d021 | May 12, 2009 |
| | | S & P | D1900V2 | 5d022 | Aug. 27, 2008 |

NOTE: Before starting the measurement, all test equipment shall be warmed up for 30min.

6.2 TEST PROCEDURE

Before you start the system performance check, need only to tell the system with which components (probe, medium, and device) are performing the system performance check; the system will take care of all parameters. The dipole must be placed beneath the flat phantom section of the SAM Twin Phantom with the correct distance holder in place. The distance holder should touch the phantom surface with a light pressure at the reference marking (little cross) and be oriented parallel to the long side of the phantom. Accurate positioning is not necessary, since the system will search for the peak SAR location, except that the dipole arms should be parallel to the surface. The device holder for the EUT can be left in place but should be rotated away from the dipole.

1.The "Power Reference Measurement" and "Power Drift Measurement" jobs are located at the beginning and end of the batch process. They measure the field drift at one single point in the liquid over the complete procedure. The indicated drift is mainly the variation of the amplifier output power. If it is too high (above ± 0.1 dB), the system performance check should be repeated; some amplifiers have very high drift during warm-up. A stable amplifier gives drift results in the DASY system below ± 0.02 dB.

2.The "Surface Check" job tests the optical surface detection system of the DASY system by repeatedly detecting the surface with the optical and mechanical surface detector and comparing the results. The output gives the detecting heights of both systems, the difference between the two systems and the standard deviation of the detection repeatability. Air bubbles or refraction in the liquid due to separation of the sugar-water mixture gives poor repeatability (above ± 0.1 mm). In that case it is better to abort the system performance check and stir the liquid. The difference between the optical surface detection and the actual surface depends on the probe and is specified with each probe. (It does not depend on the surface reflectivity or the probe angle to the surface within $\pm 30^\circ$.) However, varying breaking indices of different liquid compositions might also influence the distance. If the indicated difference varies from the actual setting, the probe parameter "optical surface

3. The "Area Scan" job measures the SAR above the dipole on a plane parallel to the surface. It is used to locate the approximate location of the peak SAR. The proposed scan uses large grid spacing for faster measurement; due to the symmetric field, the peak detection is reliable. If a finer graphic is desired, the grid spacing can be reduced. Grid spacing and orientation have no influence on the SAR result.

4. The "Zoom Scan" job measures the field in a volume around the peak SAR value assessed in the previous "Area Scan" job (for more information see the application note on SAR evaluation).

About the validation dipole positioning uncertainty, the constant and low loss dielectric spacer is used to establish the correct distance between the top surface of the dipole and the bottom surface of the phantom, the error component introduced by the uncertainty of the distance between the liquid (i.e., phantom shell) and the validation dipole in the DASY4 system is less than ± 0.1 mm.

$$SAR_{tolerance} [\%] = 100 \times \left(\frac{(a + d)^2}{a^2} - 1 \right)$$

As the closest distance is 10mm, the resulting tolerance $SAR_{tolerance} [\%]$ is $< 2\%$.

6.3 VALIDATION RESULTS

| SYSTEM VALIDATION TEST OF SIMULATING LIQUID | | | | | |
|---|---------------------|---------------------|---------------|---------------------|---------------|
| FREQUENCY (MHz) | REQUIRED SAR (mW/g) | MEASURED SAR (mW/g) | DEVIATION (%) | SEPARATION DISTANCE | TESTED DATE |
| HSL 835 | 2.31 (1g) | 2.19 | -5.19 | 15mm | Jul. 25, 2008 |
| MSL 835 | 2.34 (1g) | 2.27 | -2.99 | 15mm | Jul. 26, 2008 |
| HSL 1900 | 9.42 (1g) | 9.20 | -2.34 | 10mm | Jul. 29, 2008 |
| MSL 1900 | 9.44 (1g) | 9.43 | -0.11 | 10mm | Jul. 31, 2008 |
| TESTED BY | Sam Onn | | | | |

NOTE: Please sees Appendix for the photo of system validation test.

6.4 SYSTEM VALIDATION UNCERTAINTIES

In the table below, the system validation uncertainty with respect to the analytically assessed SAR value of a dipole source as given in the IEEE 1528 standard is given. This uncertainty is smaller than the expected uncertainty for mobile phone measurements due to the simplified setup and the symmetric field distribution.

| Error Description | Tolerance (±%) | Probability Distribution | Divisor | (C _i) | | Standard Uncertainty (±%) | | (v _i) |
|---------------------------------------|----------------|--------------------------|------------|-------------------|-------|---------------------------|-------|-------------------|
| | | | | (1g) | (10g) | (1g) | (10g) | |
| Measurement System | | | | | | | | |
| Probe Calibration | 4.8 | Normal | 1 | 1 | 1 | 4.8 | 4.8 | ∞ |
| Axial Isotropy | 4.7 | Rectangular | $\sqrt{3}$ | 1 | 1 | 2.7 | 2.7 | ∞ |
| Hemispherical Isotropy | 0 | Rectangular | $\sqrt{3}$ | 1 | 1 | 0 | 0 | ∞ |
| Boundary effect | 1.0 | Rectangular | $\sqrt{3}$ | 1 | 1 | 0.6 | 0.6 | ∞ |
| Linearity | 4.7 | Rectangular | $\sqrt{3}$ | 1 | 1 | 2.7 | 2.7 | ∞ |
| System Detection Limit | 1.0 | Rectangular | $\sqrt{3}$ | 1 | 1 | 0.6 | 0.6 | ∞ |
| Readout Electronics | 1.0 | Normal | 1 | 1 | 1 | 1.0 | 1.0 | ∞ |
| Response Time | 0 | Rectangular | $\sqrt{3}$ | 1 | 1 | 0 | 0 | ∞ |
| Integration Time | 0 | Rectangular | $\sqrt{3}$ | 1 | 1 | 0 | 0 | ∞ |
| RF Ambient Conditions | 3.0 | Rectangular | $\sqrt{3}$ | 1 | 1 | 1.7 | 1.7 | ∞ |
| Probe Positioner | 0.4 | Rectangular | $\sqrt{3}$ | 1 | 1 | 0.2 | 0.2 | ∞ |
| Probe positioning | 2.9 | Rectangular | $\sqrt{3}$ | 1 | 1 | 1.7 | 1.7 | ∞ |
| Algorithms for Max. SAR Evaluation | 1.0 | Rectangular | $\sqrt{3}$ | 1 | 1 | 0.6 | 0.6 | ∞ |
| Dipole | | | | | | | | |
| Dipole Axis to Liquid Distance | 2.0 | Rectangular | $\sqrt{3}$ | 1 | 1 | 1.2 | 1.2 | ∞ |
| Input power and SAR drift measurement | 4.7 | Rectangular | $\sqrt{3}$ | 1 | 1 | 2.7 | 2.7 | ∞ |
| Phantom and Tissue Parameters | | | | | | | | |
| Phantom Uncertainty | 4.0 | Rectangular | $\sqrt{3}$ | 1 | 1 | 2.3 | 2.3 | ∞ |
| Liquid Conductivity (target) | 5.0 | Rectangular | $\sqrt{3}$ | 0.64 | 0.43 | 1.8 | 1.2 | ∞ |
| Liquid Conductivity (measurement) | 2.5 | Normal | 1 | 0.64 | 0.43 | 1.6 | 1.1 | ∞ |
| Liquid Permittivity (target) | 5.0 | Rectangular | $\sqrt{3}$ | 0.6 | 0.49 | 1.7 | 1.4 | ∞ |
| Liquid Permittivity (measurement) | 2.5 | Normal | 1 | 0.6 | 0.49 | 1.5 | 1.2 | ∞ |
| Combined Standard Uncertainty | | | | | | 8.4 | 8.1 | ∞ |
| Coverage Factor for 95% | | | | | | k _p =2 | | |
| Expanded Uncertainty (K=2) | | | | | | 16.8 | 16.2 | |

NOTE: About the system validation uncertainty assessment, please reference the section 7.

7. MEASUREMENT SAR PROCEDURE UNCERTAINTIES

The assessment of spatial peak SAR of the hand handheld devices is according to IEEE 1528. All testing situation shall be met below these requirements.

- The system is used by an experienced engineer who follows the manual and the guidelines taught during the training provided by SPEAG.
- The probe has been calibrated within the requested period and the stated uncertainty for the relevant frequency bands does not exceed 4.8% (k=1).
- The validation dipole has been calibrated within the requested period and the system performance check has been successful.
- The DAE unit has been calibrated within the within the requested period.
- The minimum distance between the probe sensor and inner phantom shell is selected to be between 4 and 5mm.
- The operational mode of the DUT is CW, CDMA, FDMA or TDMA (GSM, DCS, PCS, IS136 and PDC) and the measurement/integration time per point is >500 ms.
- The dielectric parameters of the liquid have been assessed using Agilent 85070D dielectric probe kit or a more accurate method.
- The dielectric parameters are within 5% of the target values.
- The DUT has been positioned as described in section 3.

7.1 PROBE CALIBRATION UNCERTAINTY

SPEAG conducts the probe calibration in compliance with international and national standards (e.g. IEEE 1528, EN 62209-1, IEC 62209, etc.) under ISO17025. The uncertainties are stated on the calibration certificate. For the most relevant frequency bands, these values do not exceed 4.8% (k=1). If evaluations of other bands are performed for which the uncertainty exceeds these values, the uncertainty tables given in the summary have to be revised accordingly.

7.2 ISOTROPY UNCERTAINTY

The axial isotropy tolerance accounts for probe rotation around its axis while the hemispherical isotropy error includes all probe orientations and field polarizations. These parameters are assessed by SPEAG during initial calibration. In 2001, SPEAG further tightened its quality controls and warrants that the maximal deviation from axial isotropy is ± 0.20 dB, while the maximum deviation of hemispherical isotropy is ± 0.40 dB, corresponding to $\pm 4.7\%$ and $\pm 9.6\%$, respectively. A weighting factor of c_p equal to 0.5 can be applied, since the axis of the probe deviates less than 30 degrees from the normal surface orientation.

7.3 BOUNDARY EFFECT UNCERTAINTY

The effect can be estimated according to the following error approximation formula

$$SAR_{tolerance} [\%] = SAR_{be} [\%] \times \frac{(d_{be} + d_{step})^2}{2d_{step}} \frac{e^{-\frac{d_{be}}{\delta/2}}}{\delta/2}$$

$$d_{be} + d_{step} < 10mm$$

The parameter d_{be} is the distance in mm between the surface and the closest measurement point used in the averaging process; d_{step} is the separation distance in mm between the first and second measurement points; δ is the minimum penetration depth in mm within the head tissue equivalent liquids (i.e., $\delta = 13.95$ mm at 3GHz); SAR_{be} is the deviation between the measured SAR value at the distance d_{be} from the boundary and the wave-guide analytical value $SAR_{ref.DASY4}$. DASY4 applies a boundary effect compensation algorithm according to IEEE 1528, which is possible since the axis of the probe never deviates more than 30 degrees from the normal surface orientation. $SAR_{be}[\%]$ is assessed during the calibration process and SPEAG warrants that the uncertainty at distances larger than 4mm is always less than 1%. In summary, the worst case boundary effect SAR tolerance[%] for scanning distances larger than 4mm is $< \pm 0.8\%$.

7.4 PROBE LINEARITY UNCERTAINTY

Field probe linearity uncertainty includes errors from the assessment and compensation of the diode compression effects for CW and pulsed signals with known duty cycles. This error is assessed using the procedure described in IEEE 1528. For SPEAG field probes, the measured difference between CW and pulsed signals, with pulse frequencies between 10 Hz and 1 kHz and duty cycles between 1 and 100, is $< \pm 0.20$ dB ($< \pm 4.7\%$).

7.5 READOUT ELECTRONICS UNCERTAINTY

All uncertainties related to the probe readout electronics (DAE unit), including the gain and linearity of the instrumentation amplifier, its loading effect on the probe, and accuracy of the signal conversion algorithm, have been assessed accordingly to IEEE 1528. The combination (root-sum-square RSS method) of these components results in an overall maximum error of $\pm 1.0\%$.

7.6 RESPONSE TIME UNCERTAINTY

The time response of the field probes is assessed by exposing the probe to a well-controlled electric field producing SAR larger than 2.0 W/kg at the tissue medium surface. The signal response time is evaluated as the time required by the system to reach 90% of the expected final value after an on/of switch of the power source. Analytically, it can be expressed as:

$$SAR_{tolerance} [\%] = 100 \times \left(\frac{T_m}{T_m + \tau e^{-T_m/\tau} - \tau} - 1 \right)$$

where T_m is 500 ms, i.e., the time between measurement samples, and τ the time constant. The response time τ of SPEAG's probes is < 5 ms. In the current implementation, DASY4 waits longer than 100 ms after having reached the grid point before starting a measurement, i.e., the response time uncertainty is negligible.

7.7 INTEGRATION TIME UNCERTAINTY

If the device under test does not emit a CW signal, the integration time applied to measure the electric field at a specific point may introduce additional uncertainties due to the discretization and can be assessed as follows

$$SAR_{tolerance} [\%] = 100 \times \sum_{all\ sub-frames} \frac{t_{frame}}{t_{integration}} \frac{slot_{idle}}{slot_{total}}$$

The tolerances for the different systems are given in Table 7.1, whereby the worst-case $SAR_{tolerance}$ is 2.6%.

| System | $SAR_{tolerance} \%$ |
|-------------|----------------------|
| CW | 0 |
| CDMA* | 0 |
| WCDMA* | 0 |
| FDMA | 0 |
| IS-136 | 2.6 |
| PDC | 2.6 |
| GSM/DCS/PCS | 1.7 |
| DECT | 1.9 |
| Worst-Case | 2.6 |

TABLE 7.1

7.8 PROBE POSITIONER MECHANICAL TOLERANCE

The mechanical tolerance of the field probe positioner can introduce probe positioning uncertainties. The resulting SAR uncertainty is assessed by comparing the SAR obtained according to the specifications of the probe positioner with respect to the actual position defined by the geometric center of the probe sensors. The tolerance is determined as:

$$SAR_{tolerance} [\%] = 100 \times \frac{d_{ph}}{\delta/2}$$

The specified repeatability of the RX robot family used in DASY4 systems is $\pm 25 \mu\text{m}$. The absolute accuracy for short distance movements is better than $\pm 0.1\text{mm}$, i.e., the $SAR_{tolerance}[\%]$ is better than 1.5% (rectangular).

7.9 PROBE POSITIONING

The probe positioning procedures affect the tolerance of the separation distance between the probe tip and the phantom surface as:

$$SAR_{tolerance} [\%] = 100 \times \frac{d_{ph}}{\delta/2}$$

where d_{ph} is the maximum deviation of the distance between the probe tip and the phantom surface. The optical surface detection has a precision of better than 0.2 mm, resulting in an $SAR_{tolerance}[\%]$ of <2.9% (rectangular distribution). Since the mechanical detection provides better accuracy, 2.9% is a worst-case figure for DASY4 system.

7.10 PHANTOM UNCERTAINTY

The SAR measurement uncertainty due to SPEAG phantom shell production tolerances has been evaluated using

$$SAR_{tolerance} [\%] \cong 100 \times \frac{2d}{a}, \quad d \ll a$$

For a maximum deviation d of the inner and outer shell of the phantom from that specified in the CAD file of ± 0.2 mm, and a 10mm spacing a between source and tissue liquid, the calculated phantom uncertainty is $\pm 4.0\%$.

7.11 DASY4 UNCERTAINTY BUDGET

| Error Description | Tolerance (±%) | Probability Distribution | Divisor | (C _i) | | Standard Uncertainty (±%) | | (v _i) |
|--------------------------------------|----------------|--------------------------|---------|-------------------|-------|---------------------------|-------------|-------------------|
| | | | | (1g) | (10g) | (1g) | (10g) | |
| Measurement Equipment | | | | | | | | |
| Probe Calibration | 4.8 | Normal | 1 | 1 | 1 | 4.8 | 4.8 | ∞ |
| Axial Isotropy | 4.7 | Rectangular | √3 | 1 | 1 | 1.9 | 1.9 | ∞ |
| Hemispherical Isotropy | 9.6 | Rectangular | √3 | 1 | 1 | 3.9 | 3.9 | ∞ |
| Boundary effect | 1.0 | Rectangular | √3 | 1 | 1 | 0.6 | 0.6 | ∞ |
| Linearity | 4.7 | Rectangular | √3 | 1 | 1 | 2.7 | 2.7 | ∞ |
| System Detection Limit | 1.0 | Rectangular | √3 | 1 | 1 | 0.6 | 0.6 | ∞ |
| Readout Electronics | 1.0 | Normal | 1 | 1 | 1 | 1.0 | 1.0 | ∞ |
| Response Time | 0.8 | Normal | 1 | 1 | 1 | 0.8 | 0.8 | ∞ |
| Integration Time | 2.6 | Normal | 1 | 1 | 1 | 2.6 | 2.6 | ∞ |
| Noise | 0.0 | Normal | 1 | 0 | 0 | 0 | 0 | ∞ |
| Mechanical Constraints | | | | | | | | |
| Scanning System | 0.4 | Rectangular | √3 | 1 | 1 | 0.2 | 0.2 | ∞ |
| Phantom Shell | 4.0 | Rectangular | √3 | 1 | 1 | 2.3 | 2.3 | ∞ |
| Probe Positioning | 2.9 | Rectangular | √3 | 1 | 1 | 1.7 | 1.7 | ∞ |
| Device Positioning | 2.9 | Normal | 1 | 1 | 1 | 2.9 | 2.9 | 875 |
| Physical Parameters | | | | | | | | |
| Liquid Conductivity (target) | 5.0 | Rectangular | √3 | 0.7 | 0.5 | 2 | 1.4 | ∞ |
| Liquid Conductivity (measurement) | 4.3 | Rectangular | √3 | 0.7 | 0.5 | 1.7 | 1.2 | ∞ |
| Liquid Permittivity (target) | 5.0 | Rectangular | √3 | 0.6 | 0.5 | 1.7 | 1.4 | ∞ |
| Liquid Permittivity (measurement) | 4.3 | Rectangular | √3 | 0.6 | 0.5 | 1.5 | 1.2 | ∞ |
| Power Drift | 5 | Rectangular | √3 | 1 | 1 | 2.9 | 2.9 | ∞ |
| RF Ambient Conditions | 3.0 | Rectangular | √3 | 1 | 1 | 1.7 | 1.7 | ∞ |
| Post-Processing | | | | | | | | |
| Extrapolation and Integration | 1 | Rectangular | √3 | 1 | 1 | 0.6 | 0.6 | ∞ |
| Combined Standard Uncertainty | | | | | | 9.9 | 9.7 | |
| Coverage Factor for 95% | | | | | | kp=2 | | |
| Expanded Uncertainty (K=2) | | | | | | 19.9 | 19.3 | |

TABLE 7.2

The table 7.2: Worst-Case uncertainty budget for DASY4 assessed according to IEEE 1528. The budget is valid for the frequency range 300MHz ~ 3GHz and represents a worst-case analysis. For specific tests and configurations, the uncertainty could be considerable smaller.



8. INFORMATION ON THE TESTING LABORATORIES

We, ADT Corp., were founded in 1988 to provide our best service in EMC, Radio, Telecom and Safety consultation. Our laboratories are accredited and approved by the following approval agencies according to ISO/IEC 17025.

| | |
|--------------------|-----------------------|
| USA | FCC, UL |
| GERMANY | TUV Rheinland |
| JAPAN | VCCI |
| NORWAY | NEMKO |
| CANADA | INDUSTRY CANADA , CSA |
| R.O.C. | TAF, BSMI, NCC |
| NETHERLANDS | Telefication |
| SINGAPORE | GOST-ASIA (MOU) |
| RUSSIA | CERTIS (MOU) |

Copies of accreditation certificates of our laboratories obtained from approval agencies can be downloaded from our web site:

www.adt.com.tw/index.5/phtml. If you have any comments, please feel free to contact us at the following:

Linko EMC/RF Lab:

Tel: 886-2-26052180
Fax: 886-2-26051924

Hsin Chu EMC/RF Lab:

Tel: 886-3-5935343
Fax: 886-3-5935342

Hwa Ya EMC/RF/Safety/Telecom Lab:

Tel: 886-3-3183232
Fax: 886-3-3185050

Web Site: www.adt.com.tw

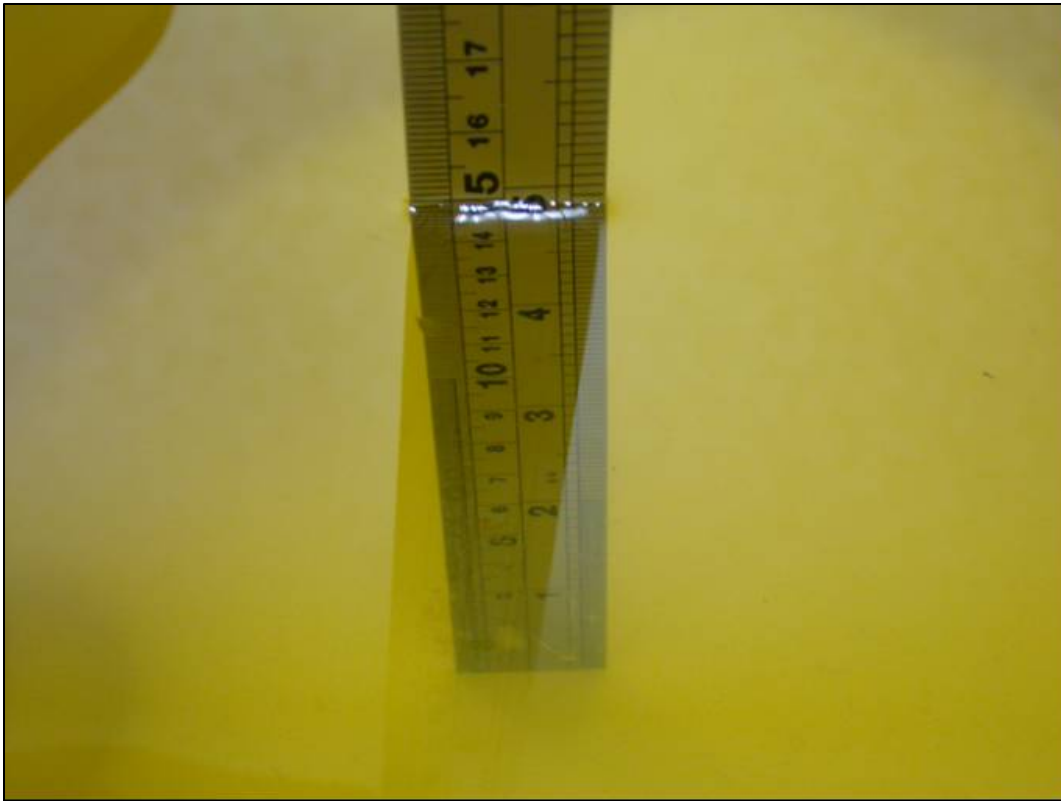
The address and road map of all our labs can be found in our web site also.

---END---

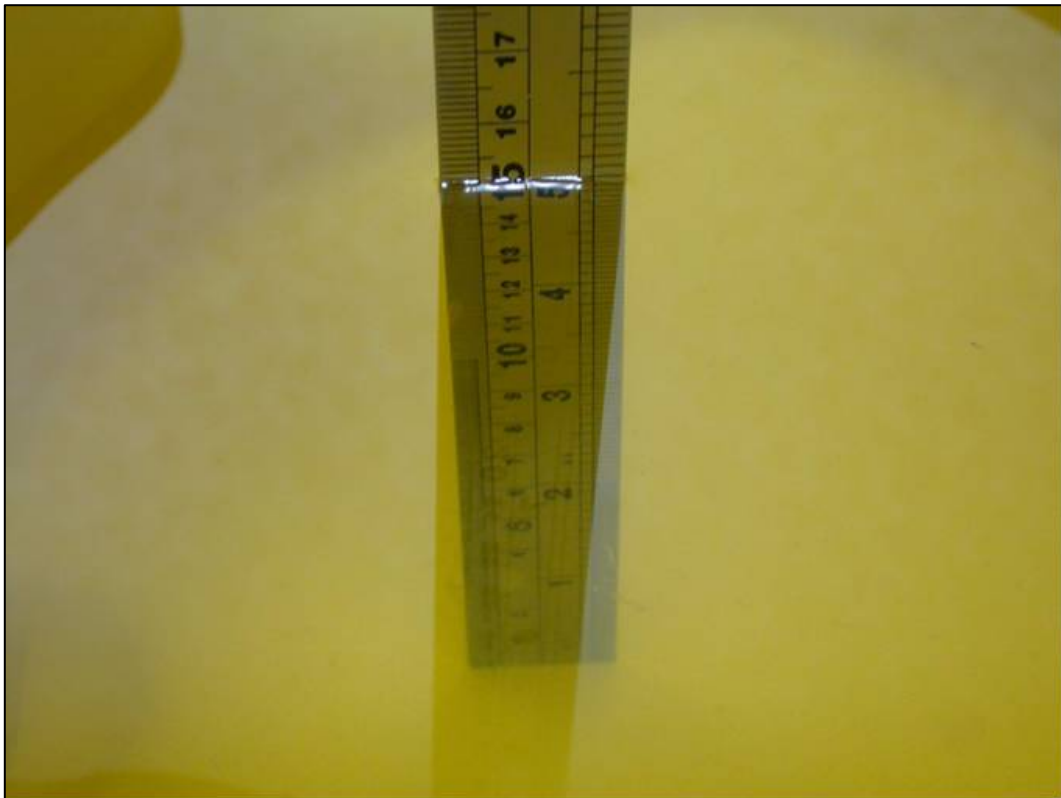
APPENDIX A: TEST DATA

Liquid Level Photo

Tissue HSL835MHz D=150mm



Tissue MSL835MHz D=152mm



Tissue HSL1900MHz D=152mm



Tissue MSL1900MHz D=155mm



Test Laboratory: Advance Data Technology

M01-Right Head-Cheek-GSM850-Ch190

DUT: Pocket PC Phone ; Type: SEDN100 ; Test Frequency: 836.6 MHz

Communication System: PCS 850 ; Frequency: 836.6 MHz ; Duty Cycle: 1:8.3

Medium: HSL835 Medium parameters used: $f = 836.6$ MHz; $\sigma = 0.95$ mho/m; $\epsilon_r = 41.6$; $\rho = 1000$ kg/m³ ;
Liquid level: 150 mm

Phantom section: Right Section ; DUT test position : Cheek ; Modulation type: GMSK

Antenna type : monopole Antenna ; Air temp. : 23.2 degrees ; Liquid temp. : 22.4 degrees

DASY4 Configuration:

- Probe: ET3DV6 - SN1790 ; ConvF(6.65, 6.65, 6.65) ; Calibrated: 2007/11/20
- Sensor-Surface: 4mm (Mechanical Surface Detection)
- Electronics: DAE3 Sn510; Calibrated: 2007/8/29
- Phantom: SAM 12; Type: SAM V4.0; Serial: TP 1202
- Measurement SW: DASY4, V4.7 Build 53; Postprocessing SW: SEMCAD, V1.8 Build 172

Touch position - Mid Channel 190/Area Scan (7x11x1): Measurement grid: dx=15mm, dy=15mm

Maximum value of SAR (measured) = 0.759 mW/g

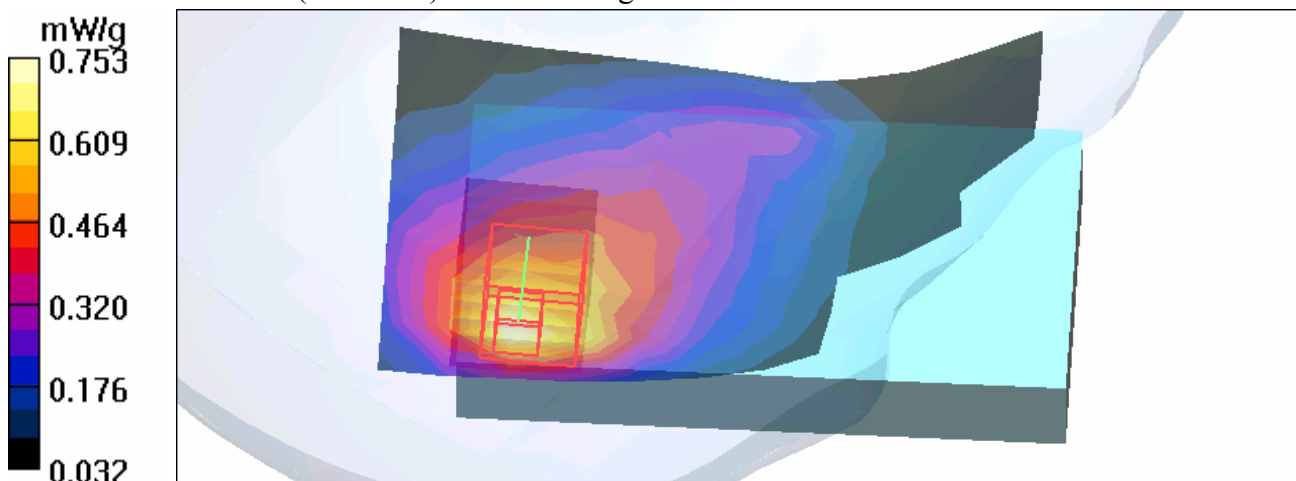
Touch position - Mid Channel 190/Zoom Scan (7x7x7) (7x7x7)/Cube 0: Measurement grid: dx=5mm, dy=5mm, dz=5mm

Reference Value = 21.7 V/m

Peak SAR (extrapolated) = 1.22 W/kg

SAR(1 g) = 0.684 mW/g; SAR(10 g) = 0.404 mW/g

Maximum value of SAR (measured) = 0.753 mW/g



Test Laboratory: Advance Data Technology

M02-Right Head-Tilt-GSM850-Ch190

DUT: Pocket PC Phone ; Type: SEDN100 ; Test Frequency: 836.6 MHz

Communication System: PCS 850 ; Frequency: 836.6 MHz; Duty Cycle: 1:8.3

Medium: HSL835 Medium parameters used: $f = 836.6$ MHz; $\sigma = 0.95$ mho/m; $\epsilon_r = 41.6$; $\rho = 1000$ kg/m³ ;
Liquid level: 150 mm

Phantom section: Right Section ; DUT test position : Tilt ; Modulation type: GMSK

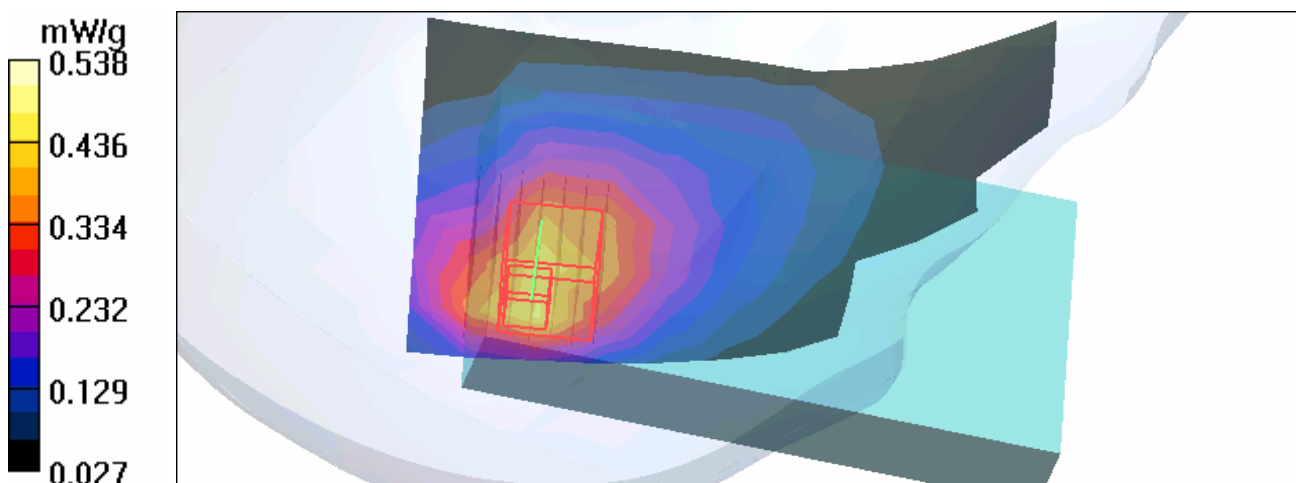
Antenna type : monopole Antenna ; Air temp. : 23.2 degrees ; Liquid temp. : 22.4 degrees

DASY4 Configuration:

- Probe: ET3DV6 - SN1790 ; ConvF(6.65, 6.65, 6.65) ; Calibrated: 2007/11/20
- Sensor-Surface: 4mm (Mechanical Surface Detection)
- Electronics: DAE3 Sn510; Calibrated: 2007/8/29
- Phantom: SAM 12; Type: SAM V4.0; Serial: TP 1202
- Measurement SW: DASY4, V4.7 Build 53; Postprocessing SW: SEMCAD, V1.8 Build 172

Tilt position - Mid Channel 190/Area Scan (7x11x1): Measurement grid: dx=15mm, dy=15mm
Maximum value of SAR (measured) = 0.534 mW/g

Tilt position - Mid Channel 190/Zoom Scan (7x7x7) (7x7x7)/Cube 0: Measurement grid:
dx=5mm, dy=5mm, dz=5mm
Reference Value = 21.8 V/m
Peak SAR (extrapolated) = 0.827 W/kg
SAR(1 g) = 0.492 mW/g; SAR(10 g) = 0.312 mW/g
Maximum value of SAR (measured) = 0.538 mW/g



Test Laboratory: Advance Data Technology

M03-Left Head-Cheek-GSM850-Ch190

DUT: Pocket PC Phone ; Type: SEDN100 ; Test Frequency: 836.6 MHz

Communication System: PCS 850 ; Frequency: 836.6 MHz ; Duty Cycle: 1:8.3

Medium: HSL835 Medium parameters used: $f = 836.6 \text{ MHz}$; $\sigma = 0.95 \text{ mho/m}$; $\epsilon_r = 41.6$; $\rho = 1000 \text{ kg/m}^3$;
Liquid level: 150 mm

Phantom section: Left Section ; DUT test position : Cheek ; Modulation type: GMSK

Antenna type : monopole Antenna ; Air temp. : 23.2 degrees ; Liquid temp. : 22.4 degrees

DASY4 Configuration:

- Probe: ET3DV6 - SN1790 ; ConvF(6.65, 6.65, 6.65) ; Calibrated: 2007/11/20
- Sensor-Surface: 4mm (Mechanical Surface Detection)
- Electronics: DAE3 Sn510; Calibrated: 2007/8/29
- Phantom: SAM 12; Type: SAM V4.0; Serial: TP 1202
- Measurement SW: DASY4, V4.7 Build 53; Postprocessing SW: SEMCAD, V1.8 Build 172

Touch position - Mid Channel 190/Area Scan (7x11x1): Measurement grid: $dx=15\text{mm}$, $dy=15\text{mm}$

Maximum value of SAR (measured) = 0.568 mW/g

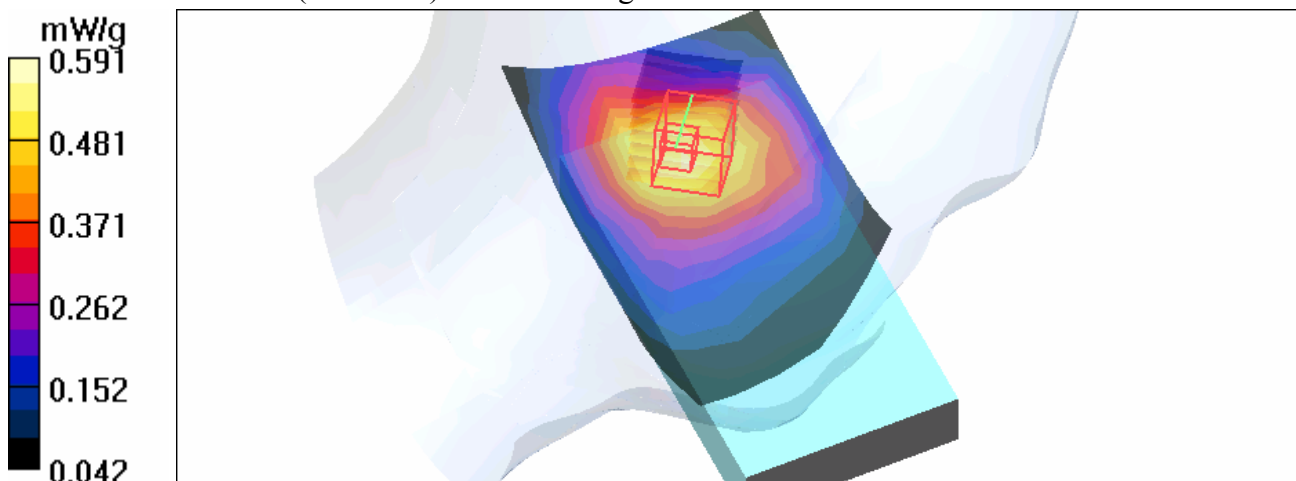
Touch position - Mid Channel 190/Zoom Scan (7x7x7) (7x7x7)/Cube 0: Measurement grid: $dx=5\text{mm}$, $dy=5\text{mm}$, $dz=5\text{mm}$

Reference Value = 24.9 V/m

Peak SAR (extrapolated) = 0.760 W/kg

SAR(1 g) = 0.559 mW/g; SAR(10 g) = 0.401 mW/g

Maximum value of SAR (measured) = 0.591 mW/g



Test Laboratory: Advance Data Technology

M04-Left Head-Tilt-GSM850-Ch190**DUT: Pocket PC Phone ; Type: SEDN100 ; Test Frequency: 836.6 MHz**

Communication System: PCS 850 ; Frequency: 836.6 MHz; Duty Cycle: 1:8.3

Medium: HSL835 Medium parameters used: $f = 836.6$ MHz; $\sigma = 0.95$ mho/m; $\epsilon_r = 41.6$; $\rho = 1000$ kg/m³ ;
Liquid level: 150 mm

Phantom section: Left Section ; DUT test position : Tilt ; Modulation type: GMSK

Antenna type : monopole Antenna ; Air temp. : 23.2 degrees ; Liquid temp. : 22.4 degrees

DASY4 Configuration:

- Probe: ET3DV6 - SN1790 ; ConvF(6.65, 6.65, 6.65) ; Calibrated: 2007/11/20
- Sensor-Surface: 4mm (Mechanical Surface Detection)
- Electronics: DAE3 Sn510; Calibrated: 2007/8/29
- Phantom: SAM 12; Type: SAM V4.0; Serial: TP 1202
- Measurement SW: DASY4, V4.7 Build 53; Postprocessing SW: SEMCAD, V1.8 Build 172

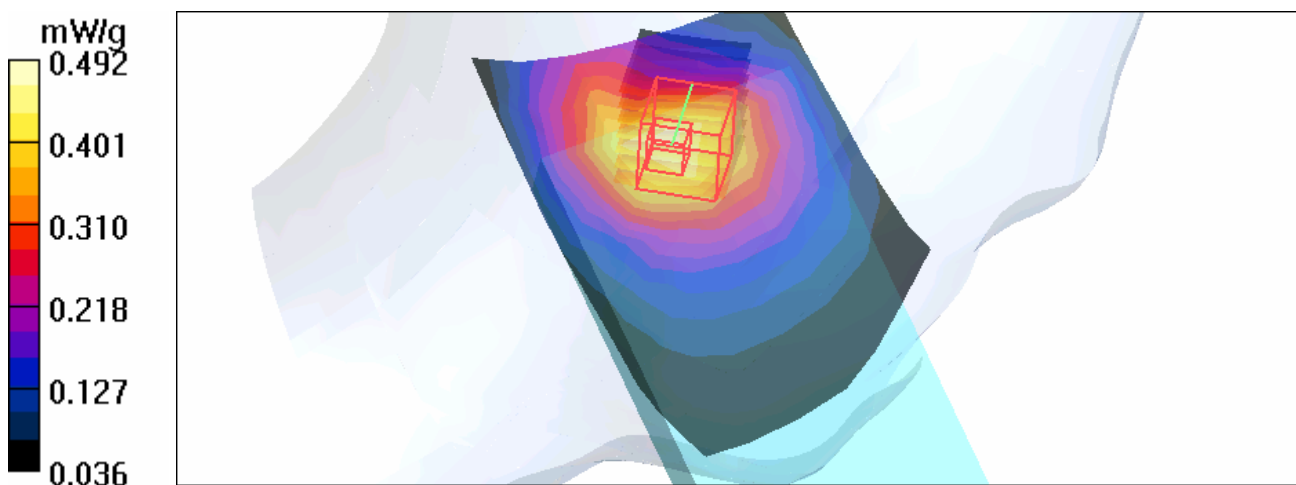
Tilt position - Mid Channel 190/Area Scan (7x11x1): Measurement grid: dx=15mm, dy=15mm
Maximum value of SAR (measured) = 0.478 mW/g**Tilt position - Mid Channel 190/Zoom Scan (7x7x7) (7x7x7)/Cube 0:** Measurement grid:
dx=5mm, dy=5mm, dz=5mm

Reference Value = 23.4 V/m

Peak SAR (extrapolated) = 0.629 W/kg

SAR(1 g) = 0.459 mW/g; SAR(10 g) = 0.317 mW/g

Maximum value of SAR (measured) = 0.492 mW/g



Test Laboratory: Advance Data Technology

M05-Body-GPRS850 TS1-Ch190

DUT: Pocket PC Phone ; Type: SEDN100 ; Test Frequency: 836.6 MHz

Communication System: PCS 850 ; Frequency: 836.6 MHz ; Duty Cycle: 1:8.3

Medium: MSL835 Medium parameters used: $f = 836.6 \text{ MHz}$; $\sigma = 1 \text{ mho/m}$; $\epsilon_r = 57.2$; $\rho = 1000 \text{ kg/m}^3$; Liquid Level : 152 mm

Phantom section: Flat Section ; DUT test position : Body ; Modulation Type: GMSK / UL 1 time slot
Separation Distance : 15 mm (The bottom side of the EUT to the Phantom)

Antenna Type : monopole Antenna ; Air Temp. : 23.6 degrees ; Liquid Temp. : 22.6 degrees

DASY4 Configuration:

- Probe: ET3DV6 - SN1790 ; ConvF(6.15, 6.15, 6.15) ; Calibrated: 2007/11/20
- Sensor-Surface: 4mm (Mechanical Surface Detection)
- Electronics: DAE3 Sn510 ; Calibrated: 2007/8/29
- Phantom: SAM 12 ; Type: SAM V4.0; Serial: TP 1202
- Measurement SW: DASY4, V4.7 Build 53 ; Postprocessing SW: SEMCAD, V1.8 Build 172

Mid Channel 190/Area Scan (7x12x1): Measurement grid: $dx=15\text{mm}$, $dy=15\text{mm}$

Maximum value of SAR (measured) = 0.413 mW/g

Mid Channel 190/Zoom Scan (7x7x7) (7x7x7)/Cube 0: Measurement grid: $dx=5\text{mm}$, $dy=5\text{mm}$, $dz=5\text{mm}$

Reference Value = 19.7 V/m

Peak SAR (extrapolated) = 0.488 W/kg

SAR(1 g) = 0.387 mW/g; SAR(10 g) = 0.280 mW/g

Maximum value of SAR (measured) = 0.412 mW/g

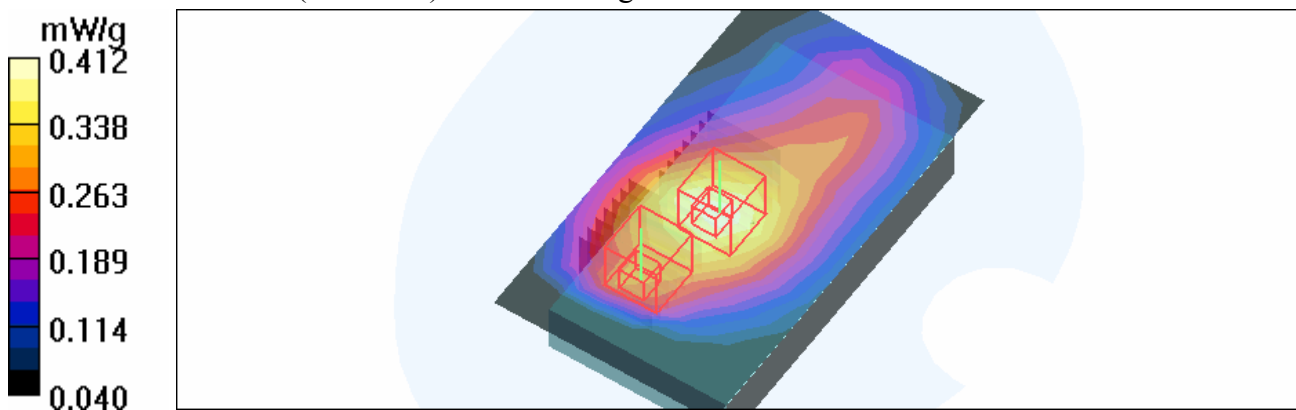
Mid Channel 190/Zoom Scan (7x7x7) (7x7x7)/Cube 1: Measurement grid: $dx=5\text{mm}$, $dy=5\text{mm}$, $dz=5\text{mm}$

Reference Value = 19.7 V/m

Peak SAR (extrapolated) = 0.499 W/kg

SAR(1 g) = 0.317 mW/g; SAR(10 g) = 0.206 mW/g

Maximum value of SAR (measured) = 0.346 mW/g



Test Laboratory: Advance Data Technology

M06-Body-GPRS850 TS2-Ch190

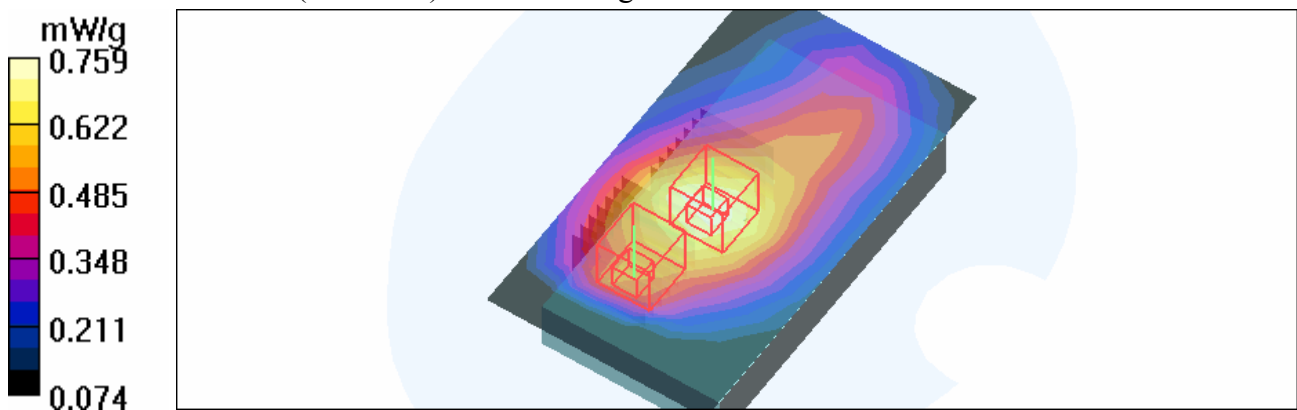
DUT: Pocket PC Phone ; Type: SEDN100 ; Test Frequency: 836.6 MHz

Communication System: PCS 850 ; Frequency: 836.6 MHz ; Duty Cycle: 1:4
 Medium: MSL835 Medium parameters used: $f = 836.6 \text{ MHz}$; $\sigma = 1 \text{ mho/m}$; $\epsilon_r = 57.2$; $\rho = 1000 \text{ kg/m}^3$; Liquid Level : 152 mm
 Phantom section: Flat Section ; DUT test position : Body ; Modulation Type: GMSK / UL 2 time slots
 Separation Distance : 15 mm (The bottom side of the EUT to the Phantom)
 Antenna Type : monopole Antenna ; Air Temp. : 23.6 degrees ; Liquid Temp. : 22.6 degrees
 DASY4 Configuration:
 - Probe: ET3DV6 - SN1790 ; ConvF(6.15, 6.15, 6.15) ; Calibrated: 2007/11/20
 - Sensor-Surface: 4mm (Mechanical Surface Detection)
 - Electronics: DAE3 Sn510 ; Calibrated: 2007/8/29
 - Phantom: SAM 12 ; Type: SAM V4.0; Serial: TP 1202
 - Measurement SW: DASY4, V4.7 Build 53 ; Postprocessing SW: SEMCAD, V1.8 Build 172

Mid Channel 190/Area Scan (7x12x1): Measurement grid: $dx=15\text{mm}$, $dy=15\text{mm}$
 Maximum value of SAR (measured) = 0.756 mW/g

Mid Channel 190/Zoom Scan (7x7x7) (7x7x7)/Cube 0: Measurement grid: $dx=5\text{mm}$, $dy=5\text{mm}$, $dz=5\text{mm}$
 Reference Value = 26.9 V/m
 Peak SAR (extrapolated) = 0.890 W/kg
SAR(1 g) = 0.714 mW/g; SAR(10 g) = 0.519 mW/g
 Maximum value of SAR (measured) = 0.759 mW/g

Mid Channel 190/Zoom Scan (7x7x7) (7x7x7)/Cube 1: Measurement grid: $dx=5\text{mm}$, $dy=5\text{mm}$, $dz=5\text{mm}$
 Reference Value = 26.9 V/m
 Peak SAR (extrapolated) = 0.912 W/kg
SAR(1 g) = 0.580 mW/g; SAR(10 g) = 0.376 mW/g
 Maximum value of SAR (measured) = 0.637 mW/g



Test Laboratory: Advance Data Technology

M07-Body-GPRS850 TS3-Ch128

DUT: Pocket PC Phone ; Type: SEDN100 ; Test Frequency: 824.2 MHz

Communication System: PCS 850 ; Frequency: 824.2 MHz ; Duty Cycle: 1:2.67

Medium: MSL835 Medium parameters used: $f = 824.2$ MHz; $\sigma = 0.99$ mho/m; $\epsilon_r = 57.3$; $\rho = 1000$ kg/m³ ; Liquid Level : 152 mm

Phantom section: Flat Section ; DUT test position : Body ; Modulation Type: GMSK / UL 3 time slots

Separation Distance : 15 mm (The bottom side of the EUT to the Phantom)

Antenna Type : monopole Antenna ; Air Temp. : 23.6 degrees ; Liquid Temp. : 22.6 degrees

DASY4 Configuration:

- Probe: ET3DV6 - SN1790 ; ConvF(6.15, 6.15, 6.15) ; Calibrated: 2007/11/20

- Sensor-Surface: 4mm (Mechanical Surface Detection)

- Electronics: DAE3 Sn510 ; Calibrated: 2007/8/29

- Phantom: SAM 12 ; Type: SAM V4.0; Serial: TP 1202

- Measurement SW: DASY4, V4.7 Build 53 ; Postprocessing SW: SEMCAD, V1.8 Build 172

Low Channel 128/Area Scan (7x12x1): Measurement grid: dx=15mm, dy=15mm

Maximum value of SAR (measured) = 0.783 mW/g

Low Channel 128/Zoom Scan (7x7x7) (7x7x7)/Cube 0: Measurement grid: dx=5mm, dy=5mm, dz=5mm

Reference Value = 29.3 V/m

Peak SAR (extrapolated) = 1.15 W/kg

SAR(1 g) = 0.917 mW/g; SAR(10 g) = 0.671 mW/g

Maximum value of SAR (measured) = 0.968 mW/g

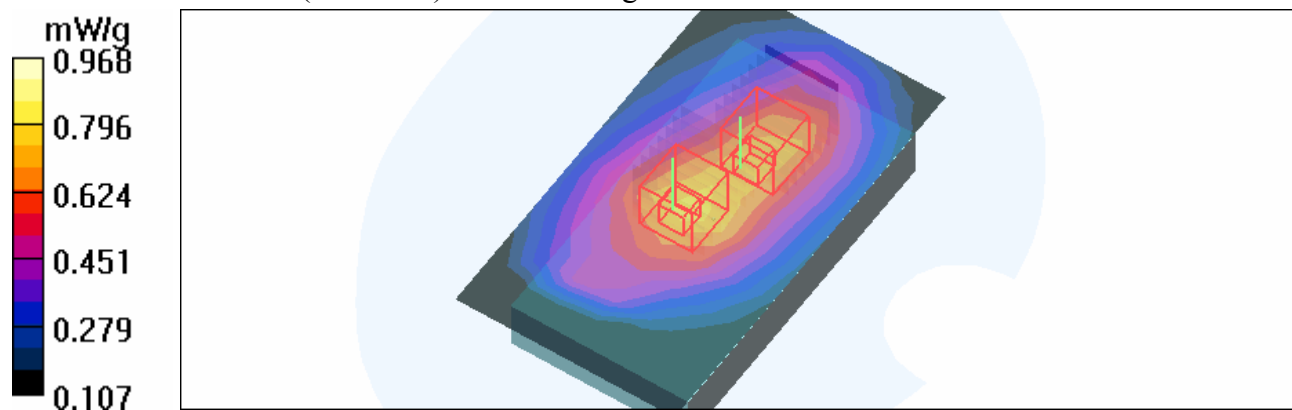
Low Channel 128/Zoom Scan (7x7x7) (7x7x7)/Cube 1: Measurement grid: dx=5mm, dy=5mm, dz=5mm

Reference Value = 29.3 V/m

Peak SAR (extrapolated) = 0.834 W/kg

SAR(1 g) = 0.662 mW/g; SAR(10 g) = 0.488 mW/g

Maximum value of SAR (measured) = 0.729 mW/g



Test Laboratory: Advance Data Technology

M07-Body-GPRS850 TS3-Ch190

DUT: Pocket PC Phone ; Type: SEDN100 ; Test Frequency: 836.6 MHz

Communication System: PCS 850 ; Frequency: 836.6 MHz ; Duty Cycle: 1:2.67

Medium: MSL835 Medium parameters used: $f = 836.6$ MHz; $\sigma = 1$ mho/m; $\epsilon_r = 57.2$; $\rho = 1000$ kg/m³ ; Liquid Level : 152 mm

Phantom section: Flat Section ; DUT test position : Body ; Modulation Type: GMSK / UL 3 time slots

Separation Distance : 15 mm (The bottom side of the EUT to the Phantom)

Antenna Type : monopole Antenna ; Air Temp. : 23.6 degrees ; Liquid Temp. : 22.6 degrees

DASY4 Configuration:

- Probe: ET3DV6 - SN1790 ; ConvF(6.15, 6.15, 6.15) ; Calibrated: 2007/11/20

- Sensor-Surface: 4mm (Mechanical Surface Detection)

- Electronics: DAE3 Sn510 ; Calibrated: 2007/8/29

- Phantom: SAM 12 ; Type: SAM V4.0; Serial: TP 1202

- Measurement SW: DASY4, V4.7 Build 53 ; Postprocessing SW: SEMCAD, V1.8 Build 172

Mid Channel 190/Area Scan (7x12x1): Measurement grid: dx=15mm, dy=15mm

Maximum value of SAR (measured) = 1.05 mW/g

Mid Channel 190/Zoom Scan (7x7x7) (7x7x7)/Cube 0: Measurement grid: dx=5mm, dy=5mm, dz=5mm

Reference Value = 31.7 V/m

Peak SAR (extrapolated) = 1.23 W/kg

SAR(1 g) = 0.969 mW/g; SAR(10 g) = 0.706 mW/g

Maximum value of SAR (measured) = 1.03 mW/g

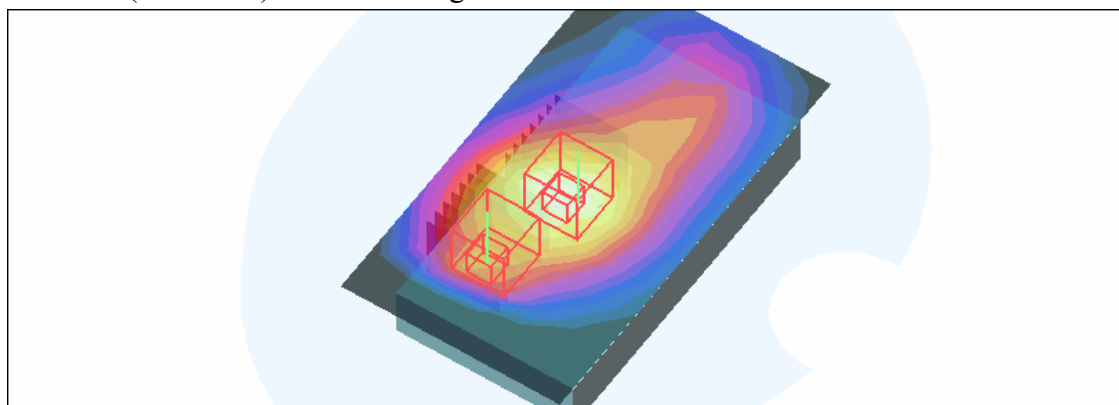
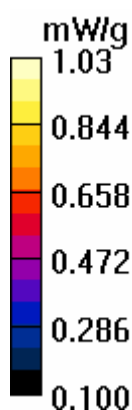
Mid Channel 190/Zoom Scan (7x7x7) (7x7x7)/Cube 1: Measurement grid: dx=5mm, dy=5mm, dz=5mm

Reference Value = 31.7 V/m

Peak SAR (extrapolated) = 1.24 W/kg

SAR(1 g) = 0.796 mW/g; SAR(10 g) = 0.517 mW/g

Maximum value of SAR (measured) = 0.868 mW/g



Test Laboratory: Advance Data Technology

M07-Body-GPRS850 TS3-Ch251

DUT: Pocket PC Phone ; Type: SEDN100 ; Test Frequency: 848.8 MHz

Communication System: PCS 850 ; Frequency: 848.8 MHz ; Duty Cycle: 1:2.67

Medium: MSL835 Medium parameters used: $f = 848.8 \text{ MHz}$; $\sigma = 1.01 \text{ mho/m}$; $\epsilon_r = 57.1$; $\rho = 1000 \text{ kg/m}^3$; Liquid Level : 152 mm

Phantom section: Flat Section ; DUT test position : Body ; Modulation Type: GMSK / UL 3 time slots
 Separation Distance : 15 mm (The bottom side of the EUT to the Phantom)

Antenna Type : monopole Antenna ; Air Temp. : 23.6 degrees ; Liquid Temp. : 22.6 degrees

DASY4 Configuration:

- Probe: ET3DV6 - SN1790 ; ConvF(6.15, 6.15, 6.15) ; Calibrated: 2007/11/20
- Sensor-Surface: 4mm (Mechanical Surface Detection)
- Electronics: DAE3 Sn510 ; Calibrated: 2007/8/29
- Phantom: SAM 12 ; Type: SAM V4.0; Serial: TP 1202
- Measurement SW: DASY4, V4.7 Build 53 ; Postprocessing SW: SEMCAD, V1.8 Build 172

High Channel 251/Area Scan (7x12x1): Measurement grid: $dx=15\text{mm}$, $dy=15\text{mm}$

Maximum value of SAR (measured) = 1.02 mW/g

High Channel 251/Zoom Scan (7x7x7) (7x7x7)/Cube 0: Measurement grid: $dx=5\text{mm}$, $dy=5\text{mm}$, $dz=5\text{mm}$

Reference Value = 31.0 V/m

Peak SAR (extrapolated) = 1.21 W/kg

SAR(1 g) = 0.971 mW/g; SAR(10 g) = 0.706 mW/g

Maximum value of SAR (measured) = 1.03 mW/g

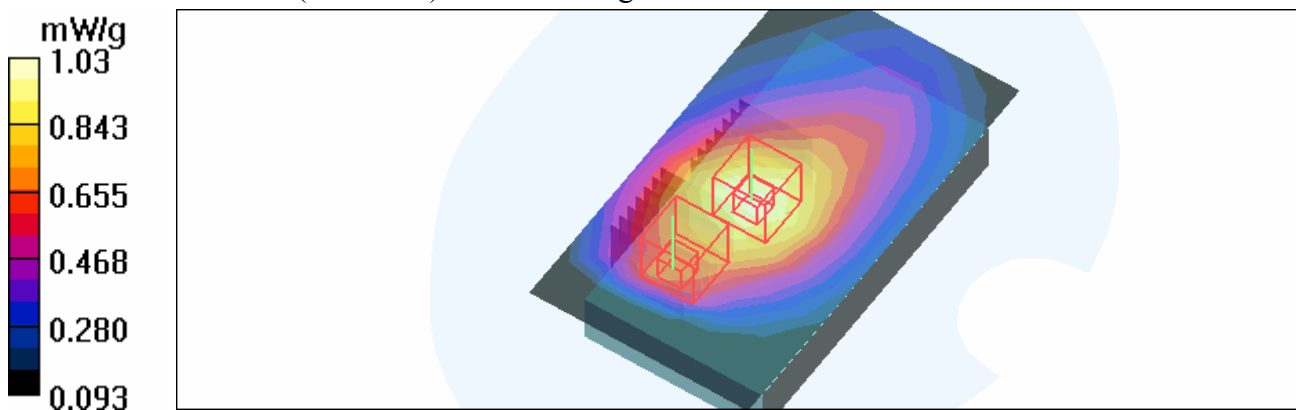
High Channel 251/Zoom Scan (7x7x7) (7x7x7)/Cube 1: Measurement grid: $dx=5\text{mm}$, $dy=5\text{mm}$, $dz=5\text{mm}$

Reference Value = 31.0 V/m

Peak SAR (extrapolated) = 1.20 W/kg

SAR(1 g) = 0.770 mW/g; SAR(10 g) = 0.505 mW/g

Maximum value of SAR (measured) = 0.843 mW/g



Test Laboratory: Advance Data Technology

M08-Body-GPRS850 TS4-Ch128

DUT: Pocket PC Phone ; Type: SEDN100 ; Test Frequency: 824.2 MHz

Communication System: PCS 850 ; Frequency: 824.2 MHz ; Duty Cycle: 1:2

Medium: MSL835 Medium parameters used: $f = 824.2$ MHz; $\sigma = 0.99$ mho/m; $\epsilon_r = 57.3$; $\rho = 1000$ kg/m³ ; Liquid Level : 152 mm

Phantom section: Flat Section ; DUT test position : Body ; Modulation Type: GMSK / UL 4 time slots

Separation Distance : 15 mm (The bottom side of the EUT to the Phantom)

Antenna Type : monopole Antenna ; Air Temp. : 23.6 degrees ; Liquid Temp. : 22.6 degrees

DASY4 Configuration:

- Probe: ET3DV6 - SN1790 ; ConvF(6.15, 6.15, 6.15) ; Calibrated: 2007/11/20

- Sensor-Surface: 4mm (Mechanical Surface Detection)

- Electronics: DAE3 Sn510 ; Calibrated: 2007/8/29

- Phantom: SAM 12 ; Type: SAM V4.0; Serial: TP 1202

- Measurement SW: DASY4, V4.7 Build 53 ; Postprocessing SW: SEMCAD, V1.8 Build 172

Low Channel 128/Area Scan (7x12x1): Measurement grid: dx=15mm, dy=15mm

Maximum value of SAR (measured) = 1.20 mW/g

Low Channel 128/Zoom Scan (7x7x7) (7x7x7)/Cube 0: Measurement grid: dx=5mm, dy=5mm, dz=5mm

Reference Value = 33.5 V/m

Peak SAR (extrapolated) = 1.47 W/kg

SAR(1 g) = 1.2 mW/g; SAR(10 g) = 0.850 mW/g

Maximum value of SAR (measured) = 1.22 mW/g

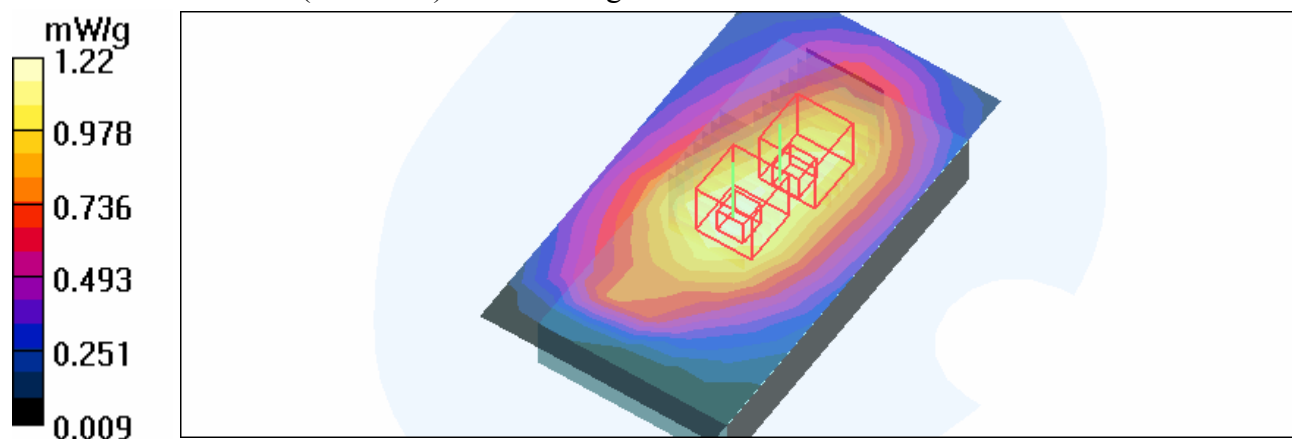
Low Channel 128/Zoom Scan (7x7x7) (7x7x7)/Cube 1: Measurement grid: dx=5mm, dy=5mm, dz=5mm

Reference Value = 33.5 V/m

Peak SAR (extrapolated) = 1.33 W/kg

SAR(1 g) = 1.09 mW/g; SAR(10 g) = 0.815 mW/g

Maximum value of SAR (measured) = 1.15 mW/g



Test Laboratory: Advance Data Technology

M08-Body-GPRS850 TS4-Ch190

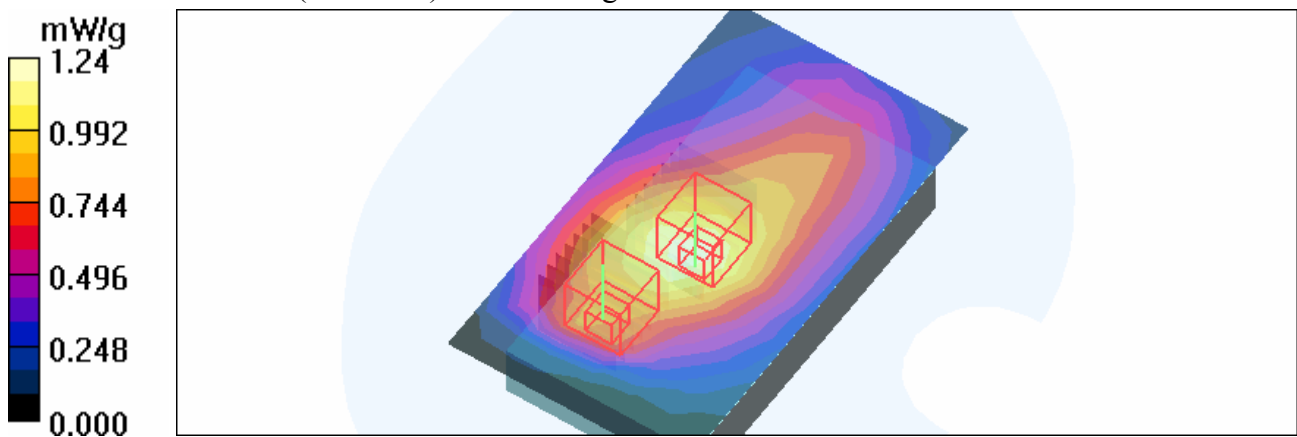
DUT: Pocket PC Phone ; Type: SEDN100 ; Test Frequency: 836.6 MHz

Communication System: PCS 850 ; Frequency: 836.6 MHz ; Duty Cycle: 1:2
 Medium: MSL835 Medium parameters used: $f = 836.6 \text{ MHz}$; $\sigma = 1 \text{ mho/m}$; $\epsilon_r = 57.2$; $\rho = 1000 \text{ kg/m}^3$; Liquid Level : 152 mm
 Phantom section: Flat Section ; DUT test position : Body ; Modulation Type: GMSK / UL 4 time slots
 Separation Distance : 15 mm (The bottom side of the EUT to the Phantom)
 Antenna Type : monopole Antenna ; Air Temp. : 23.6 degrees ; Liquid Temp. : 22.6 degrees
 DASY4 Configuration:
 - Probe: ET3DV6 - SN1790 ; ConvF(6.15, 6.15, 6.15) ; Calibrated: 2007/11/20
 - Sensor-Surface: 4mm (Mechanical Surface Detection)
 - Electronics: DAE3 Sn510 ; Calibrated: 2007/8/29
 - Phantom: SAM 12 ; Type: SAM V4.0; Serial: TP 1202
 - Measurement SW: DASY4, V4.7 Build 53 ; Postprocessing SW: SEMCAD, V1.8 Build 172

Mid Channel 190/Area Scan (7x12x1): Measurement grid: $dx=15\text{mm}$, $dy=15\text{mm}$
 Maximum value of SAR (measured) = 1.25 mW/g

Mid Channel 190/Zoom Scan (7x7x7) (7x7x7)/Cube 0: Measurement grid: $dx=5\text{mm}$, $dy=5\text{mm}$, $dz=5\text{mm}$
 Reference Value = 34.6 V/m
 Peak SAR (extrapolated) = 2.74 W/kg
SAR(1 g) = 1.24 mW/g; SAR(10 g) = 0.897 mW/g
 Maximum value of SAR (measured) = 1.24 mW/g

Mid Channel 190/Zoom Scan (7x7x7) (7x7x7)/Cube 1: Measurement grid: $dx=5\text{mm}$, $dy=5\text{mm}$, $dz=5\text{mm}$
 Reference Value = 34.6 V/m
 Peak SAR (extrapolated) = 1.57 W/kg
SAR(1 g) = 0.947 mW/g; SAR(10 g) = 0.606 mW/g
 Maximum value of SAR (measured) = 1.05 mW/g



Test Laboratory: Advance Data Technology

M08-Body-GPRS850 TS4-Ch251

DUT: Pocket PC Phone ; Type: SEDN100 ; Test Frequency: 848.8 MHz

Communication System: PCS 850 ; Frequency: 848.8 MHz ; Duty Cycle: 1:2

Medium: MSL835 Medium parameters used: $f = 848.8$ MHz; $\sigma = 1.01$ mho/m; $\epsilon_r = 57.1$; $\rho = 1000$ kg/m³ ; Liquid Level : 152 mm

Phantom section: Flat Section ; DUT test position : Body ; Modulation Type: GMSK / UL 4 time slots

Separation Distance : 15 mm (The bottom side of the EUT to the Phantom)

Antenna Type : monopole Antenna ; Air Temp. : 23.6 degrees ; Liquid Temp. : 22.6 degrees

DASY4 Configuration:

- Probe: ET3DV6 - SN1790 ; ConvF(6.15, 6.15, 6.15) ; Calibrated: 2007/11/20

- Sensor-Surface: 4mm (Mechanical Surface Detection)

- Electronics: DAE3 Sn510 ; Calibrated: 2007/8/29

- Phantom: SAM 12 ; Type: SAM V4.0; Serial: TP 1202

- Measurement SW: DASY4, V4.7 Build 53 ; Postprocessing SW: SEMCAD, V1.8 Build 172

High Channel 251/Area Scan (7x12x1): Measurement grid: dx=15mm, dy=15mm

Maximum value of SAR (measured) = 1.25 mW/g

High Channel 251/Zoom Scan (7x7x7) (7x7x7)/Cube 0: Measurement grid: dx=5mm, dy=5mm, dz=5mm

Reference Value = 37.7 V/m

Peak SAR (extrapolated) = 1.61 W/kg

SAR(1 g) = 1.3 mW/g; SAR(10 g) = 0.959 mW/g

Maximum value of SAR (measured) = 1.38 mW/g

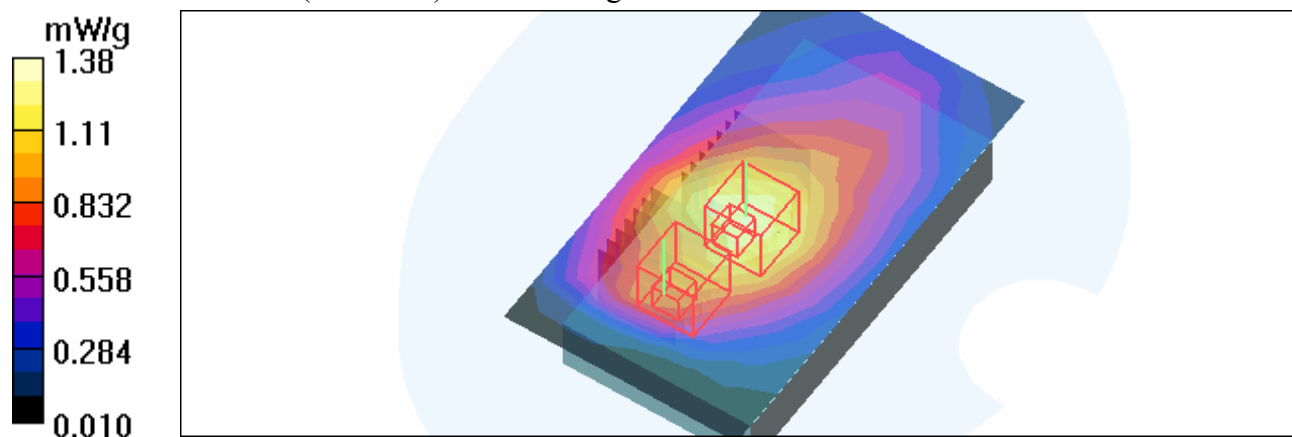
High Channel 251/Zoom Scan (7x7x7) (7x7x7)/Cube 1: Measurement grid: dx=5mm, dy=5mm, dz=5mm

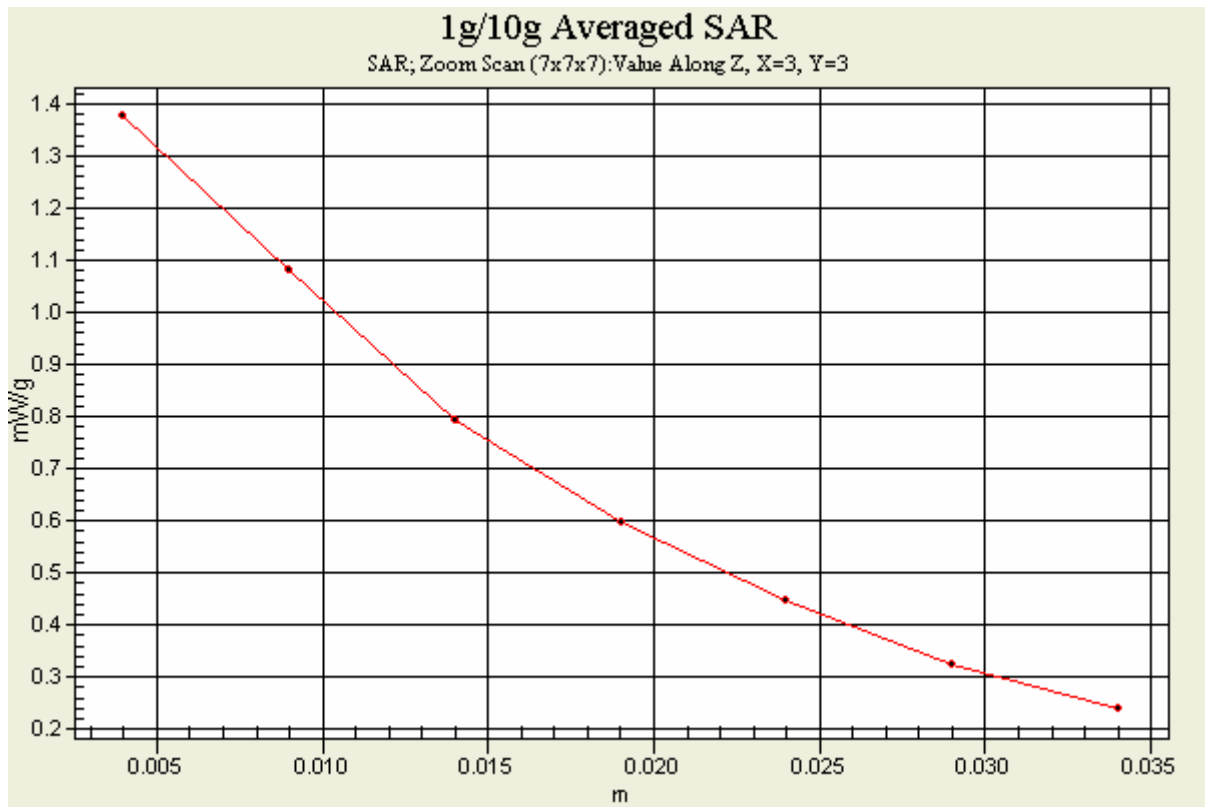
Reference Value = 37.7 V/m

Peak SAR (extrapolated) = 1.57 W/kg

SAR(1 g) = 0.962 mW/g; SAR(10 g) = 0.553 mW/g

Maximum value of SAR (measured) = 1.08 mW/g





Test Laboratory: Advance Data Technology

M09-Body-GPRS850 TS4-Ch251

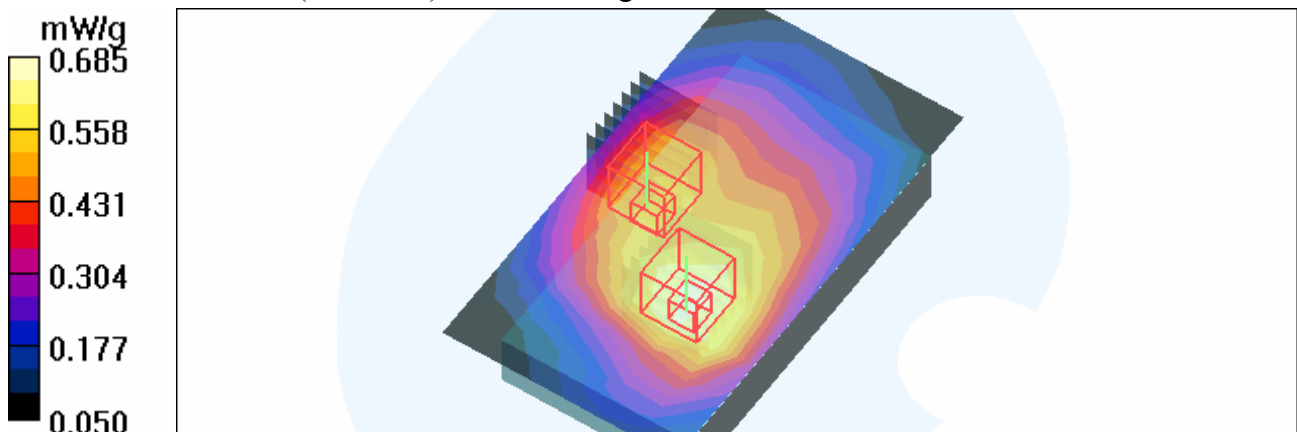
DUT: Pocket PC Phone ; Type: SEDN100 ; Test Frequency: 848.8 MHz

Communication System: PCS 850 ; Frequency: 848.8 MHz ; Duty Cycle: 1:2
 Medium: MSL835 Medium parameters used: $f = 848.8 \text{ MHz}$; $\sigma = 1.01 \text{ mho/m}$; $\epsilon_r = 57.1$; $\rho = 1000 \text{ kg/m}^3$; Liquid Level : 152 mm
 Phantom section: Flat Section ; DUT test position : Body ; Modulation Type: GMSK / UL 4 time slots
 Separation Distance : 15 mm (The front side of the EUT to the Phantom)
 Antenna Type : monopole Antenna ; Air Temp. : 23.6 degrees ; Liquid Temp. : 22.6 degrees
 DASY4 Configuration:
 - Probe: ET3DV6 - SN1790 ; ConvF(6.15, 6.15, 6.15) ; Calibrated: 2007/11/20
 - Sensor-Surface: 4mm (Mechanical Surface Detection)
 - Electronics: DAE3 Sn510 ; Calibrated: 2007/8/29
 - Phantom: SAM 12 ; Type: SAM V4.0; Serial: TP 1202
 - Measurement SW: DASY4, V4.7 Build 53 ; Postprocessing SW: SEMCAD, V1.8 Build 172

High Channel 251/Area Scan (7x12x1): Measurement grid: dx=15mm, dy=15mm
 Maximum value of SAR (measured) = 0.681 mW/g

High Channel 251/Zoom Scan (7x7x7) (7x7x7)/Cube 0: Measurement grid: dx=5mm, dy=5mm, dz=5mm
 Reference Value = 23.8 V/m
 Peak SAR (extrapolated) = 0.849 W/kg
SAR(1 g) = 0.644 mW/g; SAR(10 g) = 0.463 mW/g
 Maximum value of SAR (measured) = 0.685 mW/g

High Channel 251/Zoom Scan (7x7x7) (7x7x7)/Cube 1: Measurement grid: dx=5mm, dy=5mm, dz=5mm
 Reference Value = 23.8 V/m
 Peak SAR (extrapolated) = 0.695 W/kg
SAR(1 g) = 0.560 mW/g; SAR(10 g) = 0.407 mW/g
 Maximum value of SAR (measured) = 0.592 mW/g



Test Laboratory: Advance Data Technology

M10-Body-E-GPRS850 TS1-Ch190

DUT: Pocket PC Phone ; Type: SEDN100 ; Test Frequency: 836.6 MHz

Communication System: PCS 850 ; Frequency: 836.6 MHz ; Duty Cycle: 1:8.3

Medium: MSL835 Medium parameters used: $f = 836.6$ MHz; $\sigma = 1$ mho/m; $\epsilon_r = 57.2$; $\rho = 1000$ kg/m³ ; Liquid Level : 152 mm

Phantom section: Flat Section ; DUT test position : Body ; Modulation Type: 8PSK / UL 1 time slot
Separation Distance : 15 mm (The bottom side of the EUT to the Phantom)

Antenna Type : monopole Antenna ; Air Temp. : 23.6 degrees ; Liquid Temp. : 22.6 degrees

DASY4 Configuration:

- Probe: ET3DV6 - SN1790 ; ConvF(6.15, 6.15, 6.15) ; Calibrated: 2007/11/20

- Sensor-Surface: 4mm (Mechanical Surface Detection)

- Electronics: DAE3 Sn510 ; Calibrated: 2007/8/29

- Phantom: SAM 12 ; Type: SAM V4.0; Serial: TP 1202

- Measurement SW: DASY4, V4.7 Build 53 ; Postprocessing SW: SEMCAD, V1.8 Build 172

Mid Channel 190/Area Scan (7x12x1): Measurement grid: dx=15mm, dy=15mm

Maximum value of SAR (measured) = 0.108 mW/g

Mid Channel 190/Zoom Scan (7x7x7) (7x7x7)/Cube 0: Measurement grid: dx=5mm, dy=5mm, dz=5mm

Reference Value = 9.91 V/m

Peak SAR (extrapolated) = 0.130 W/kg

SAR(1 g) = 0.105 mW/g; SAR(10 g) = 0.076 mW/g

Maximum value of SAR (measured) = 0.111 mW/g

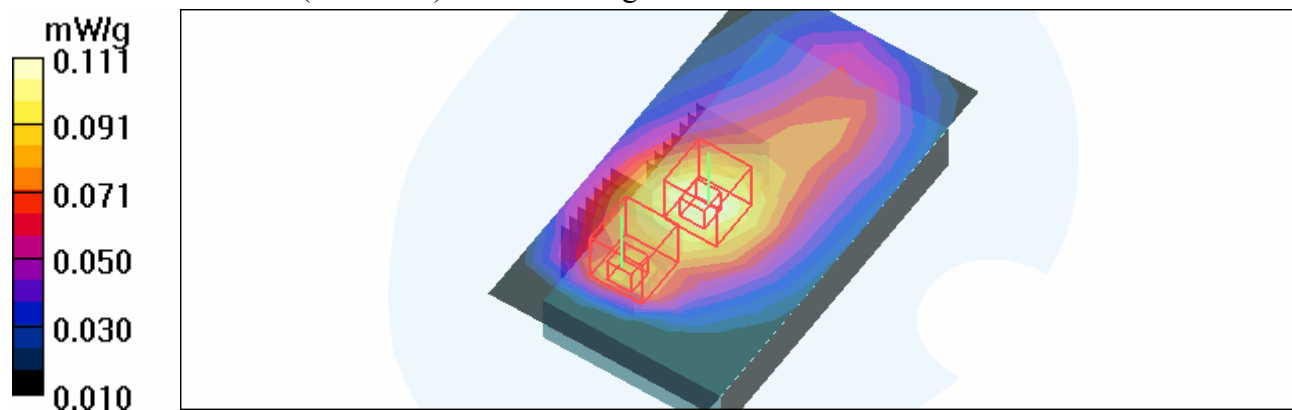
Mid Channel 190/Zoom Scan (7x7x7) (7x7x7)/Cube 1: Measurement grid: dx=5mm, dy=5mm, dz=5mm

Reference Value = 9.91 V/m

Peak SAR (extrapolated) = 0.149 W/kg

SAR(1 g) = 0.094 mW/g; SAR(10 g) = 0.059 mW/g

Maximum value of SAR (measured) = 0.102 mW/g



Test Laboratory: Advance Data Technology

M11-Body-E-GPRS850 TS2-Ch190

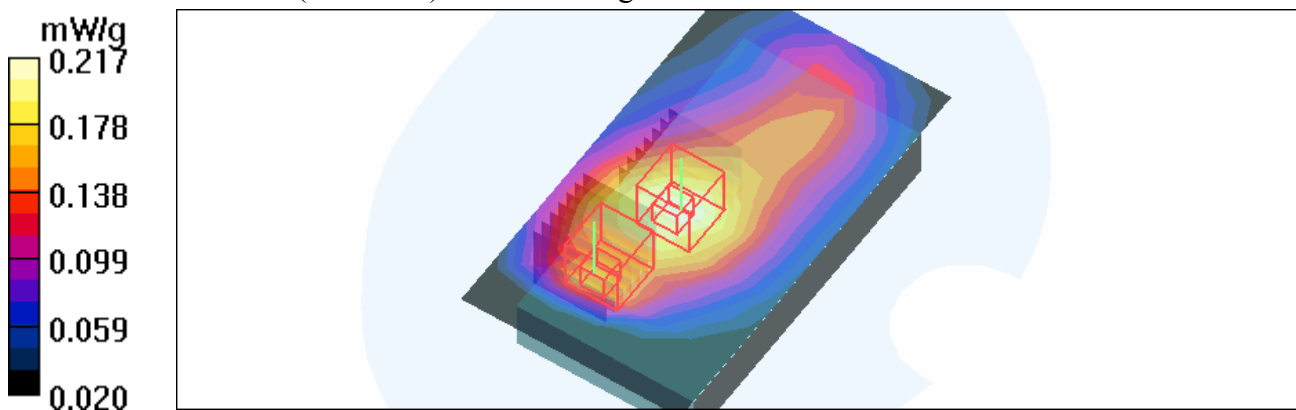
DUT: Pocket PC Phone ; Type: SEDN100 ; Test Frequency: 836.6 MHz

Communication System: PCS 850 ; Frequency: 836.6 MHz ; Duty Cycle: 1:4
 Medium: MSL835 Medium parameters used: $f = 836.6 \text{ MHz}$; $\sigma = 1 \text{ mho/m}$; $\epsilon_r = 57.2$; $\rho = 1000 \text{ kg/m}^3$; Liquid Level : 152 mm
 Phantom section: Flat Section ; DUT test position : Body ; Modulation Type: 8PSK / UL 2 time slots
 Separation Distance : 15 mm (The bottom side of the EUT to the Phantom)
 Antenna Type : monopole Antenna ; Air Temp. : 23.6 degrees ; Liquid Temp. : 22.6 degrees
 DASY4 Configuration:
 - Probe: ET3DV6 - SN1790 ; ConvF(6.15, 6.15, 6.15) ; Calibrated: 2007/11/20
 - Sensor-Surface: 4mm (Mechanical Surface Detection)
 - Electronics: DAE3 Sn510 ; Calibrated: 2007/8/29
 - Phantom: SAM 12 ; Type: SAM V4.0; Serial: TP 1202
 - Measurement SW: DASY4, V4.7 Build 53 ; Postprocessing SW: SEMCAD, V1.8 Build 172

Mid Channel 190/Area Scan (7x12x1): Measurement grid: $dx=15\text{mm}$, $dy=15\text{mm}$
 Maximum value of SAR (measured) = 0.215 mW/g

Mid Channel 190/Zoom Scan (7x7x7) (7x7x7)/Cube 0: Measurement grid: $dx=5\text{mm}$, $dy=5\text{mm}$, $dz=5\text{mm}$
 Reference Value = 14.1 V/m
 Peak SAR (extrapolated) = 0.259 W/kg
SAR(1 g) = 0.205 mW/g; SAR(10 g) = 0.149 mW/g
 Maximum value of SAR (measured) = 0.217 mW/g

Mid Channel 190/Zoom Scan (7x7x7) (7x7x7)/Cube 1: Measurement grid: $dx=5\text{mm}$, $dy=5\text{mm}$, $dz=5\text{mm}$
 Reference Value = 14.1 V/m
 Peak SAR (extrapolated) = 0.289 W/kg
SAR(1 g) = 0.181 mW/g; SAR(10 g) = 0.114 mW/g
 Maximum value of SAR (measured) = 0.199 mW/g



Test Laboratory: Advance Data Technology

M12-Body-E-GPRS850 TS3-Ch190

DUT: Pocket PC Phone ; Type: SEDN100 ; Test Frequency: 836.6 MHz

Communication System: PCS 850 ; Frequency: 836.6 MHz ; Duty Cycle: 1:2.67
 Medium: MSL835 Medium parameters used: $f = 836.6 \text{ MHz}$; $\sigma = 1 \text{ mho/m}$; $\epsilon_r = 57.2$; $\rho = 1000 \text{ kg/m}^3$; Liquid Level : 152 mm
 Phantom section: Flat Section ; DUT test position : Body ; Modulation Type: 8PSK / UL 3 time slots
 Separation Distance : 15 mm (The bottom side of the EUT to the Phantom)
 Antenna Type : monopole Antenna ; Air Temp. : 23.6 degrees ; Liquid Temp. : 22.6 degrees
 DASY4 Configuration:

- Probe: ET3DV6 - SN1790 ; ConvF(6.15, 6.15, 6.15) ; Calibrated: 2007/11/20
- Sensor-Surface: 4mm (Mechanical Surface Detection)
- Electronics: DAE3 Sn510 ; Calibrated: 2007/8/29
- Phantom: SAM 12 ; Type: SAM V4.0; Serial: TP 1202
- Measurement SW: DASY4, V4.7 Build 53 ; Postprocessing SW: SEMCAD, V1.8 Build 172

Mid Channel 190/Area Scan (7x12x1): Measurement grid: dx=15mm, dy=15mm

Maximum value of SAR (measured) = 0.311 mW/g

Mid Channel 190/Zoom Scan (7x7x7) (7x7x7)/Cube 0: Measurement grid: dx=5mm, dy=5mm, dz=5mm

Reference Value = 16.9 V/m

Peak SAR (extrapolated) = 0.368 W/kg

SAR(1 g) = 0.294 mW/g; SAR(10 g) = 0.213 mW/g

Maximum value of SAR (measured) = 0.312 mW/g

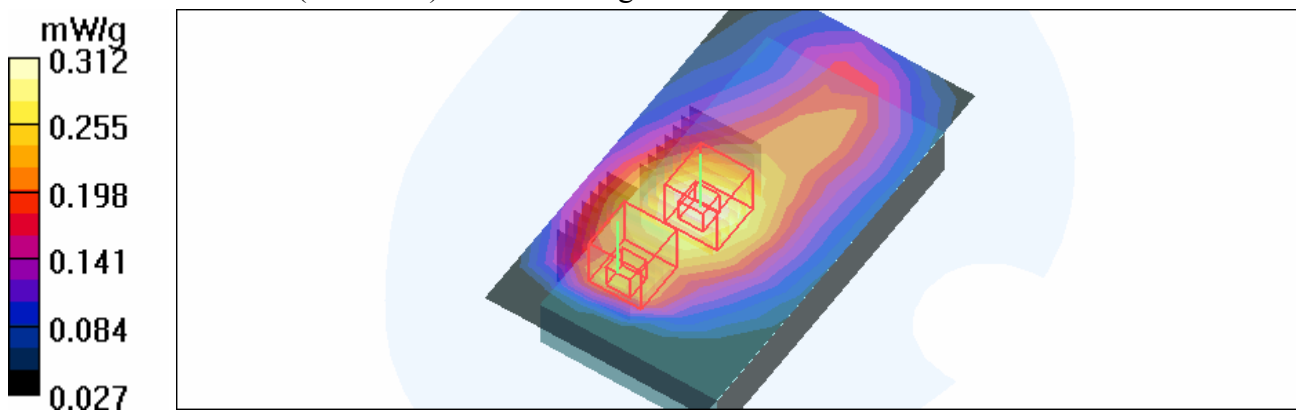
Mid Channel 190/Zoom Scan (7x7x7) (7x7x7)/Cube 1: Measurement grid: dx=5mm, dy=5mm, dz=5mm

Reference Value = 16.9 V/m

Peak SAR (extrapolated) = 0.411 W/kg

SAR(1 g) = 0.256 mW/g; SAR(10 g) = 0.160 mW/g

Maximum value of SAR (measured) = 0.280 mW/g



Test Laboratory: Advance Data Technology

M13-Body-E-GPRS850 TS4-Ch190

DUT: Pocket PC Phone ; Type: SEDN100 ; Test Frequency: 836.6 MHz

Communication System: PCS 850 ; Frequency: 836.6 MHz ; Duty Cycle: 1:2
 Medium: MSL835 Medium parameters used: $f = 836.6 \text{ MHz}$; $\sigma = 1 \text{ mho/m}$; $\epsilon_r = 57.2$; $\rho = 1000 \text{ kg/m}^3$; Liquid Level : 152 mm
 Phantom section: Flat Section ; DUT test position : Body ; Modulation Type: 8PSK / UL 4 time slots
 Separation Distance : 15 mm (The bottom side of the EUT to the Phantom)
 Antenna Type : monopole Antenna ; Air Temp. : 23.6 degrees ; Liquid Temp. : 22.6 degrees
 DASY4 Configuration:

- Probe: ET3DV6 - SN1790 ; ConvF(6.15, 6.15, 6.15) ; Calibrated: 2007/11/20
- Sensor-Surface: 4mm (Mechanical Surface Detection)
- Electronics: DAE3 Sn510 ; Calibrated: 2007/8/29
- Phantom: SAM 12 ; Type: SAM V4.0; Serial: TP 1202
- Measurement SW: DASY4, V4.7 Build 53 ; Postprocessing SW: SEMCAD, V1.8 Build 172

Mid Channel 190/Area Scan (7x12x1): Measurement grid: dx=15mm, dy=15mm

Maximum value of SAR (measured) = 0.403 mW/g

Mid Channel 190/Zoom Scan (7x7x7) (7x7x7)/Cube 0: Measurement grid: dx=5mm, dy=5mm, dz=5mm

Reference Value = 20.0 V/m

Peak SAR (extrapolated) = 0.469 W/kg

SAR(1 g) = 0.379 mW/g; SAR(10 g) = 0.279 mW/g

Maximum value of SAR (measured) = 0.401 mW/g

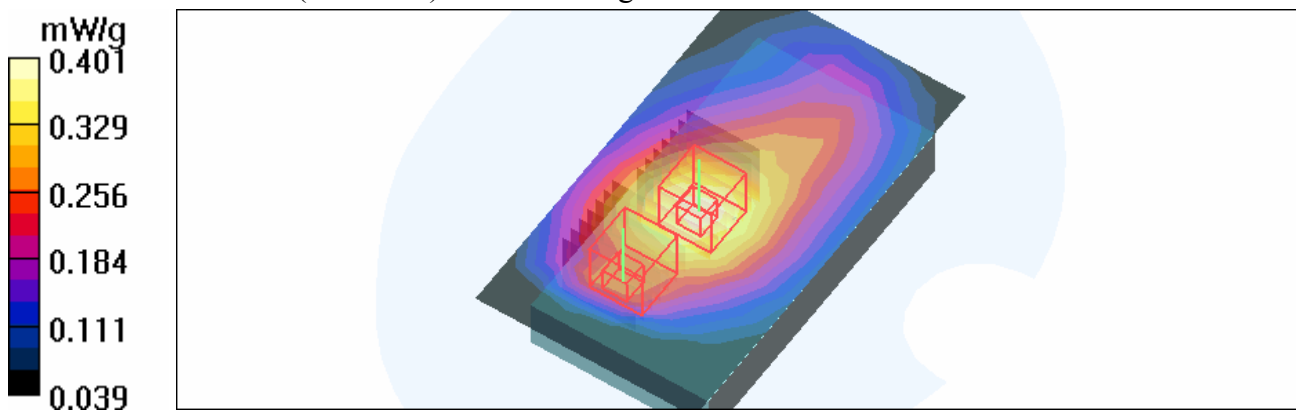
Mid Channel 190/Zoom Scan (7x7x7) (7x7x7)/Cube 1: Measurement grid: dx=5mm, dy=5mm, dz=5mm

Reference Value = 20.0 V/m

Peak SAR (extrapolated) = 0.419 W/kg

SAR(1 g) = 0.278 mW/g; SAR(10 g) = 0.186 mW/g

Maximum value of SAR (measured) = 0.299 mW/g



Test Laboratory: Advance Data Technology

M14-Body-E-GPRS850 TS4-Ch190

DUT: Pocket PC Phone ; Type: SEDN100 ; Test Frequency: 836.6 MHz

Communication System: PCS 850 ; Frequency: 836.6 MHz ; Duty Cycle: 1:2

Medium: MSL835 Medium parameters used: $f = 836.6$ MHz; $\sigma = 1$ mho/m; $\epsilon_r = 57.2$; $\rho = 1000$ kg/m³ ; Liquid Level : 152 mm

Phantom section: Flat Section ; DUT test position : Body ; Modulation Type: 8PSK / UL 4 time slots

Separation Distance : 15 mm (The front side of the EUT to the Phantom)

Antenna Type : monopole Antenna ; Air Temp. : 23.6 degrees ; Liquid Temp. : 22.6 degrees

DASY4 Configuration:

- Probe: ET3DV6 - SN1790 ; ConvF(6.15, 6.15, 6.15) ; Calibrated: 2007/11/20

- Sensor-Surface: 4mm (Mechanical Surface Detection)

- Electronics: DAE3 Sn510 ; Calibrated: 2007/8/29

- Phantom: SAM 12 ; Type: SAM V4.0; Serial: TP 1202

- Measurement SW: DASY4, V4.7 Build 53 ; Postprocessing SW: SEMCAD, V1.8 Build 172

Mid Channel 190/Area Scan (7x12x1): Measurement grid: dx=15mm, dy=15mm

Maximum value of SAR (measured) = 0.213 mW/g

Mid Channel 190/Zoom Scan (7x7x7) (7x7x7)/Cube 0: Measurement grid: dx=5mm, dy=5mm, dz=5mm

Reference Value = 13.2 V/m

Peak SAR (extrapolated) = 0.280 W/kg

SAR(1 g) = 0.214 mW/g; SAR(10 g) = 0.155 mW/g

Maximum value of SAR (measured) = 0.226 mW/g

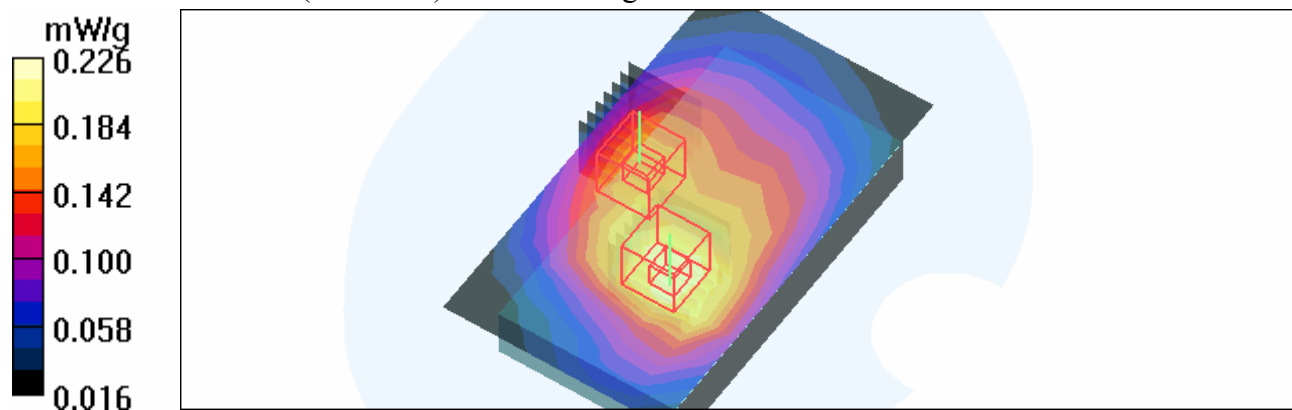
Mid Channel 190/Zoom Scan (7x7x7) (7x7x7)/Cube 1: Measurement grid: dx=5mm, dy=5mm, dz=5mm

Reference Value = 13.2 V/m

Peak SAR (extrapolated) = 0.340 W/kg

SAR(1 g) = 0.187 mW/g; SAR(10 g) = 0.137 mW/g

Maximum value of SAR (measured) = 0.200 mW/g



Test Laboratory: Advance Data Technology

M15-Body-GSM850-Ch190

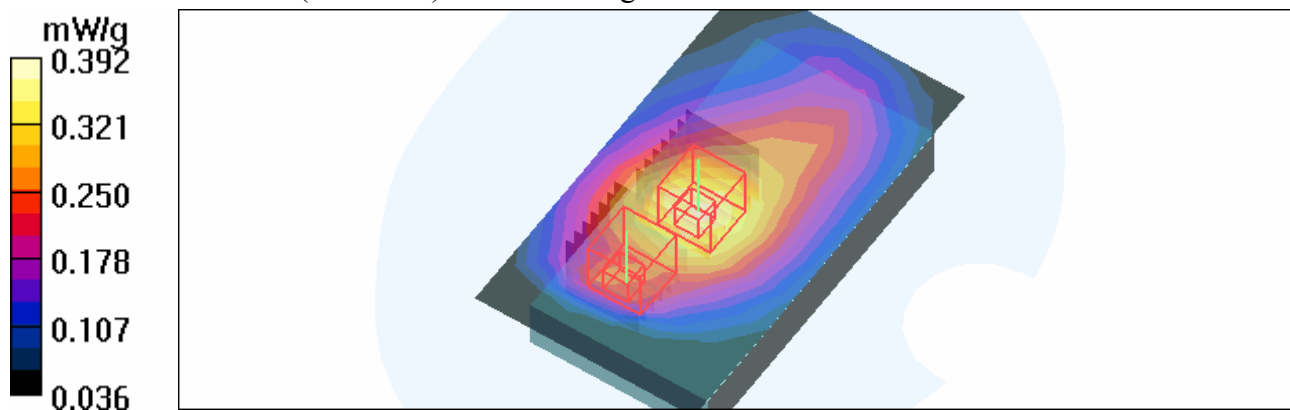
DUT: Pocket PC Phone ; Type: SEDN100 ; Test Frequency: 836.6 MHz

Communication System: PCS 850 ; Frequency: 836.6 MHz ; Duty Cycle: 1:8.3
 Medium: MSL835 Medium parameters used: $f = 836.6$ MHz; $\sigma = 1$ mho/m; $\epsilon_r = 57.2$; $\rho = 1000$ kg/m³ ; Liquid Level : 152 mm
 Phantom section: Flat Section ; DUT test position : Body ; Modulation Type: GMSK
 Separation Distance : 15 mm (The bottom side of the EUT to the Phantom)
 Antenna Type : monopole Antenna ; Air Temp. : 23.6 degrees ; Liquid Temp. : 22.6 degrees
 DASY4 Configuration:
 - Probe: ET3DV6 - SN1790 ; ConvF(6.15, 6.15, 6.15) ; Calibrated: 2007/11/20
 - Sensor-Surface: 4mm (Mechanical Surface Detection)
 - Electronics: DAE3 Sn510 ; Calibrated: 2007/8/29
 - Phantom: SAM 12 ; Type: SAM V4.0; Serial: TP 1202
 - Measurement SW: DASY4, V4.7 Build 53 ; Postprocessing SW: SEMCAD, V1.8 Build 172

Mid Channel 190/Area Scan (7x12x1): Measurement grid: dx=15mm, dy=15mm
 Maximum value of SAR (measured) = 0.385 mW/g

Mid Channel 190/Zoom Scan (7x7x7) (7x7x7)/Cube 0: Measurement grid: dx=5mm, dy=5mm, dz=5mm
 Reference Value = 19.0 V/m
 Peak SAR (extrapolated) = 0.460 W/kg
SAR(1 g) = 0.367 mW/g; SAR(10 g) = 0.267 mW/g
 Maximum value of SAR (measured) = 0.392 mW/g

Mid Channel 190/Zoom Scan (7x7x7) (7x7x7)/Cube 1: Measurement grid: dx=5mm, dy=5mm, dz=5mm
 Reference Value = 19.0 V/m
 Peak SAR (extrapolated) = 0.414 W/kg
SAR(1 g) = 0.266 mW/g; SAR(10 g) = 0.178 mW/g
 Maximum value of SAR (measured) = 0.289 mW/g



Test Laboratory: Advance Data Technology

M16-Body-GSM850-Ch190

DUT: Pocket PC Phone ; Type: SEDN100 ; Test Frequency: 836.6 MHz

Communication System: PCS 850 ; Frequency: 836.6 MHz ; Duty Cycle: 1:8.3

Medium: MSL835 Medium parameters used: $f = 836.6$ MHz; $\sigma = 1$ mho/m; $\epsilon_r = 57.2$; $\rho = 1000$ kg/m³ ; Liquid Level : 152 mm

Phantom section: Flat Section ; DUT test position : Body ; Modulation Type: GMSK

Separation Distance : 15 mm (The front side of the EUT to the Phantom)

Antenna Type : monopole Antenna ; Air Temp. : 23.6 degrees ; Liquid Temp. : 22.6 degrees

DASY4 Configuration:

- Probe: ET3DV6 - SN1790 ; ConvF(6.15, 6.15, 6.15) ; Calibrated: 2007/11/20

- Sensor-Surface: 4mm (Mechanical Surface Detection)

- Electronics: DAE3 Sn510 ; Calibrated: 2007/8/29

- Phantom: SAM 12 ; Type: SAM V4.0; Serial: TP 1202

- Measurement SW: DASY4, V4.7 Build 53 ; Postprocessing SW: SEMCAD, V1.8 Build 172

Mid Channel 190/Area Scan (7x12x1): Measurement grid: dx=15mm, dy=15mm

Maximum value of SAR (measured) = 0.193 mW/g

Mid Channel 190/Zoom Scan (7x7x7) (7x7x7)/Cube 0: Measurement grid: dx=5mm, dy=5mm, dz=5mm

Reference Value = 12.4 V/m

Peak SAR (extrapolated) = 0.252 W/kg

SAR(1 g) = 0.189 mW/g; SAR(10 g) = 0.135 mW/g

Maximum value of SAR (measured) = 0.203 mW/g

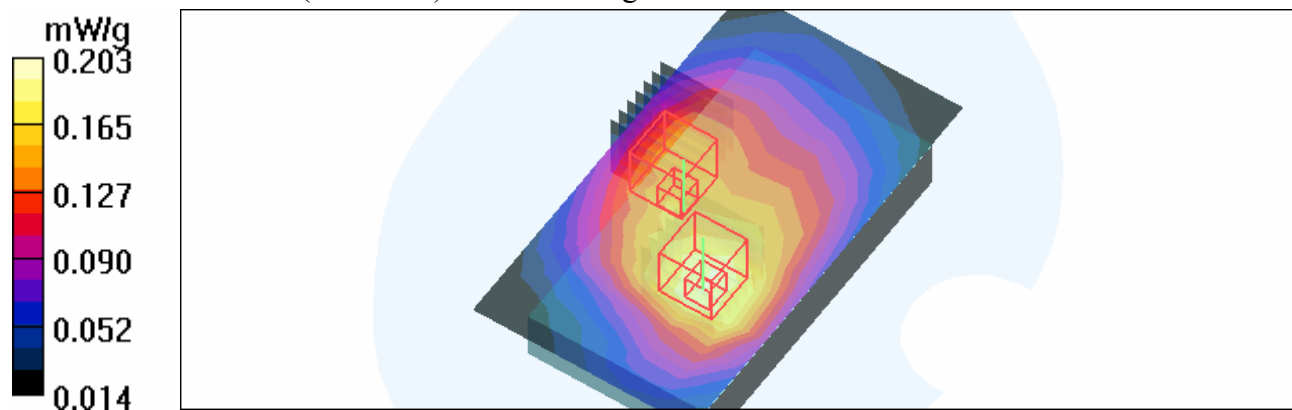
Mid Channel 190/Zoom Scan (7x7x7) (7x7x7)/Cube 1: Measurement grid: dx=5mm, dy=5mm, dz=5mm

Reference Value = 12.4 V/m

Peak SAR (extrapolated) = 0.186 W/kg

SAR(1 g) = 0.147 mW/g; SAR(10 g) = 0.110 mW/g

Maximum value of SAR (measured) = 0.156 mW/g



Test Laboratory: Advance Data Technology

M17-Right Head-Cheek-WCDMA850-Ch4182

DUT: Pocket PC Phone ; Type: SEDN100 ; Test Frequency: 836.4 MHz

Communication System: WCDMA ; Frequency: 836.4 MHz ; Duty Cycle: 1:1

Medium: HSL835 Medium parameters used: $f = 836.4$ MHz; $\sigma = 0.95$ mho/m; $\epsilon_r = 41.6$; $\rho = 1000$ kg/m³ ;
Liquid level: 150 mm

Phantom section: Right Section ; DUT test position : Cheek ; Modulation type: BPSK

Antenna type : monopole Antenna ; Air temp. : 23.2 degrees ; Liquid temp. : 22.4 degrees

DASY4 Configuration:

- Probe: ET3DV6 - SN1790 ; ConvF(6.65, 6.65, 6.65) ; Calibrated: 2007/11/20
- Sensor-Surface: 4mm (Mechanical Surface Detection)
- Electronics: DAE3 Sn510; Calibrated: 2007/8/29
- Phantom: SAM 12; Type: SAM V4.0; Serial: TP 1202
- Measurement SW: DASY4, V4.7 Build 53; Postprocessing SW: SEMCAD, V1.8 Build 172

Touch position - Mid Channel 4182/Area Scan (7x11x1): Measurement grid: dx=15mm, dy=15mm

Maximum value of SAR (measured) = 0.415 mW/g

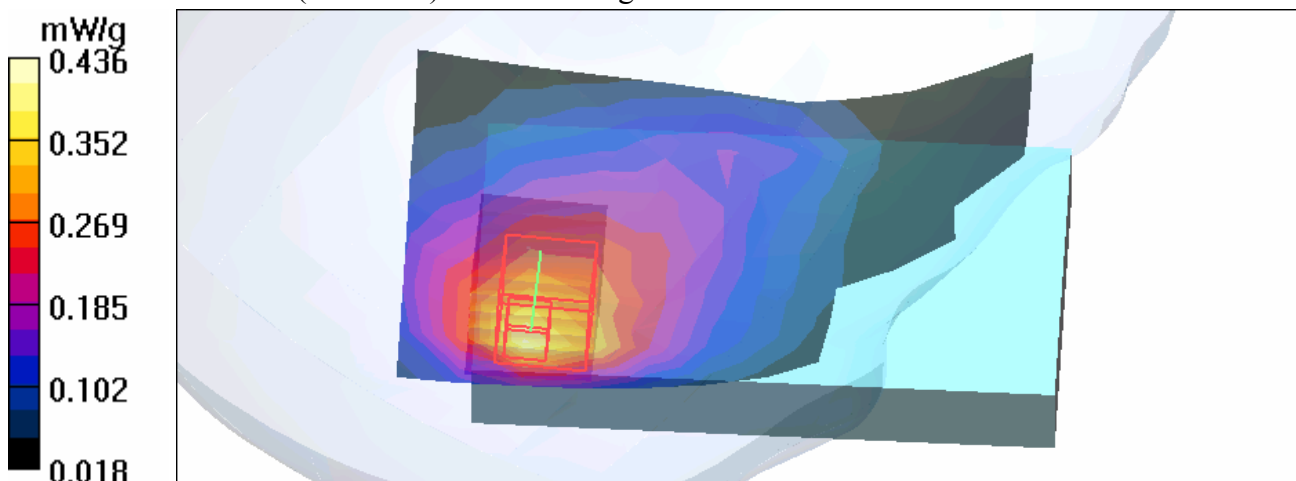
Touch position - Mid Channel 4182/Zoom Scan (7x7x7) (7x7x7)/Cube 0: Measurement grid: dx=5mm, dy=5mm, dz=5mm

Reference Value = 16.5 V/m

Peak SAR (extrapolated) = 0.704 W/kg

SAR(1 g) = 0.393 mW/g; SAR(10 g) = 0.231 mW/g

Maximum value of SAR (measured) = 0.436 mW/g



Test Laboratory: Advance Data Technology

M18-Right Head-Tilt-WCDMA850-Ch4182

DUT: Pocket PC Phone ; Type: SEDN100 ; Test Frequency: 836.4 MHz

Communication System: WCDMA ; Frequency: 836.4 MHz; Duty Cycle: 1:1
 Medium: HSL835 Medium parameters used: $f = 836.4$ MHz; $\sigma = 0.95$ mho/m; $\epsilon_r = 41.6$; $\rho = 1000$ kg/m³ ;
 Liquid level: 150 mm

Phantom section: Right Section ; DUT test position : Tilt ; Modulation type: BPSK

Antenna type : monopole Antenna ; Air temp. : 23.2 degrees ; Liquid temp. : 22.4 degrees

DASY4 Configuration:

- Probe: ET3DV6 - SN1790 ; ConvF(6.65, 6.65, 6.65) ; Calibrated: 2007/11/20
- Sensor-Surface: 4mm (Mechanical Surface Detection)
- Electronics: DAE3 Sn510; Calibrated: 2007/8/29
- Phantom: SAM 12; Type: SAM V4.0; Serial: TP 1202
- Measurement SW: DASY4, V4.7 Build 53; Postprocessing SW: SEMCAD, V1.8 Build 172

Tilt position - Mid Channel 4182/Area Scan (7x11x1): Measurement grid: dx=15mm, dy=15mm

Maximum value of SAR (measured) = 0.334 mW/g

Tilt position - Mid Channel 4182/Zoom Scan (7x7x7) (7x7x7)/Cube 0: Measurement grid:

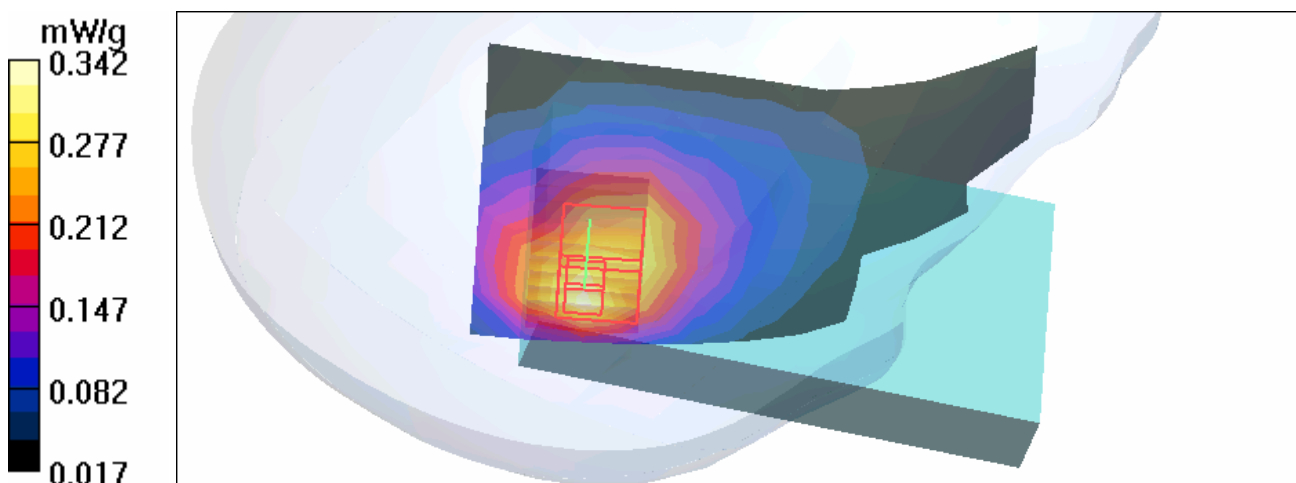
dx=5mm, dy=5mm, dz=5mm

Reference Value = 15.9 V/m

Peak SAR (extrapolated) = 0.533 W/kg

SAR(1 g) = 0.316 mW/g; SAR(10 g) = 0.196 mW/g

Maximum value of SAR (measured) = 0.342 mW/g



Test Laboratory: Advance Data Technology

M19-Left Head-Cheek-WCDMA850-Ch4182

DUT: Pocket PC Phone ; Type: SEDN100 ; Test Frequency: 836.4 MHz

Communication System: WCDMA ; Frequency: 836.4 MHz ; Duty Cycle: 1:1
 Medium: HSL835 Medium parameters used: $f = 836.4 \text{ MHz}$; $\sigma = 0.95 \text{ mho/m}$; $\epsilon_r = 41.6$; $\rho = 1000 \text{ kg/m}^3$;
 Liquid level: 150 mm
 Phantom section: Left Section ; DUT test position : Cheek ; Modulation type: BPSK
 Antenna type : monopole Antenna ; Air temp. : 23.2 degrees ; Liquid temp. : 22.4 degrees

DASY4 Configuration:

- Probe: ET3DV6 - SN1790 ; ConvF(6.65, 6.65, 6.65) ; Calibrated: 2007/11/20
- Sensor-Surface: 4mm (Mechanical Surface Detection)
- Electronics: DAE3 Sn510; Calibrated: 2007/8/29
- Phantom: SAM 12; Type: SAM V4.0; Serial: TP 1202
- Measurement SW: DASY4, V4.7 Build 53; Postprocessing SW: SEMCAD, V1.8 Build 172

Touch position - Mid Channel 4182/Area Scan (7x11x1): Measurement grid: $dx=15\text{mm}$, $dy=15\text{mm}$

Maximum value of SAR (measured) = 0.339 mW/g

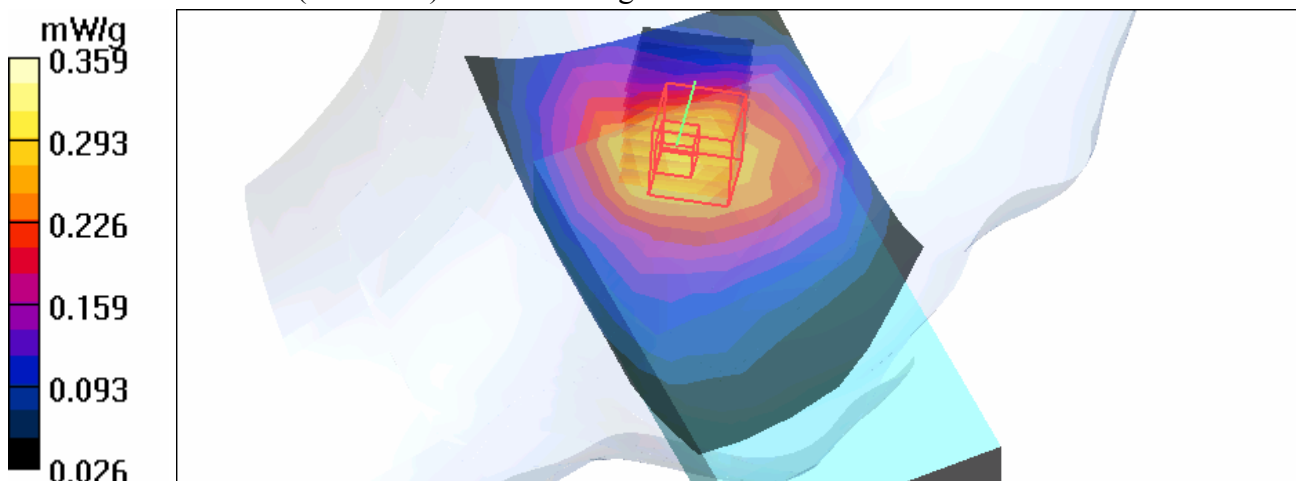
Touch position - Mid Channel 4182/Zoom Scan (7x7x7) (7x7x7)/Cube 0: Measurement grid: $dx=5\text{mm}$, $dy=5\text{mm}$, $dz=5\text{mm}$

Reference Value = 19.5 V/m

Peak SAR (extrapolated) = 0.460 W/kg

SAR(1 g) = 0.337 mW/g; SAR(10 g) = 0.245 mW/g

Maximum value of SAR (measured) = 0.359 mW/g



Test Laboratory: Advance Data Technology

M20-Left Head-Tilt-WCDMA850-Ch4182

DUT: Pocket PC Phone ; Type: SEDN100 ; Test Frequency: 836.4 MHz

Communication System: WCDMA ; Frequency: 836.4 MHz; Duty Cycle: 1:1
 Medium: HSL835 Medium parameters used: $f = 836.4$ MHz; $\sigma = 0.95$ mho/m; $\epsilon_r = 41.6$; $\rho = 1000$ kg/m³ ;
 Liquid level: 150 mm
 Phantom section: Left Section ; DUT test position : Tilt ; Modulation type: BPSK
 Antenna type : monopole Antenna ; Air temp. : 23.2 degrees ; Liquid temp. : 22.4 degrees

DASY4 Configuration:

- Probe: ET3DV6 - SN1790 ; ConvF(6.65, 6.65, 6.65) ; Calibrated: 2007/11/20
- Sensor-Surface: 4mm (Mechanical Surface Detection)
- Electronics: DAE3 Sn510; Calibrated: 2007/8/29
- Phantom: SAM 12; Type: SAM V4.0; Serial: TP 1202
- Measurement SW: DASY4, V4.7 Build 53; Postprocessing SW: SEMCAD, V1.8 Build 172

Tilt position - Mid Channel 4182/Area Scan (7x11x1): Measurement grid: dx=15mm, dy=15mm

Maximum value of SAR (measured) = 0.277 mW/g

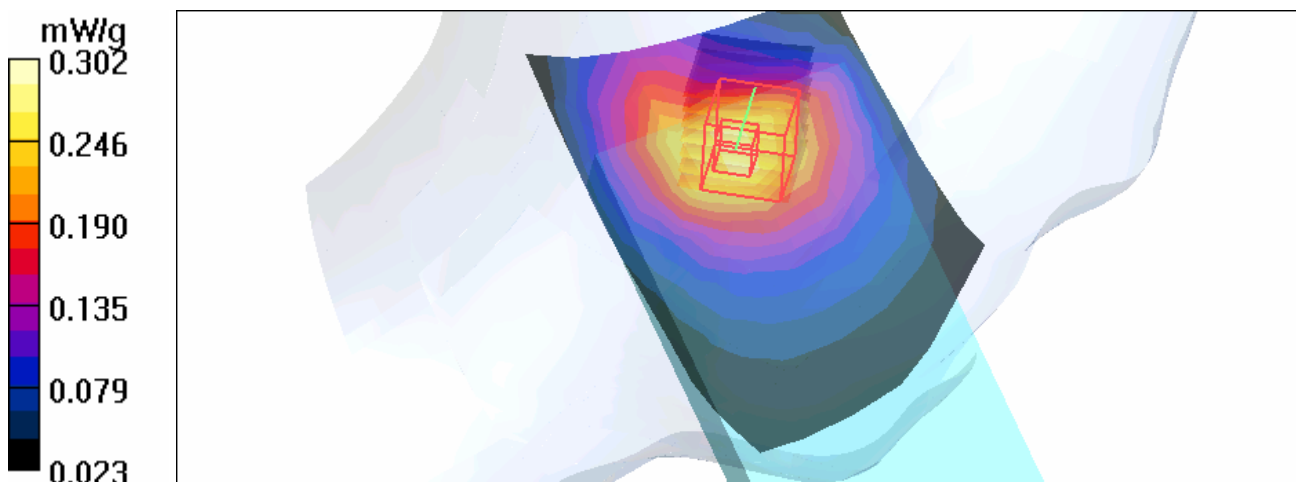
Tilt position - Mid Channel 4182/Zoom Scan (7x7x7) (7x7x7)/Cube 0: Measurement grid: dx=5mm, dy=5mm, dz=5mm

Reference Value = 17.9 V/m

Peak SAR (extrapolated) = 0.380 W/kg

SAR(1 g) = 0.283 mW/g; SAR(10 g) = 0.197 mW/g

Maximum value of SAR (measured) = 0.302 mW/g



Test Laboratory: Advance Data Technology

M21-Body-WCDMA850-Ch4182

DUT: Pocket PC Phone ; Type: SEDN100 ; Test Frequency: 836.4 MHz

Communication System: WCDMA ; Frequency: 836.4 MHz ; Duty Cycle: 1:1
 Medium: MSL835 Medium parameters used: $f = 836.4 \text{ MHz}$; $\sigma = 1 \text{ mho/m}$; $\epsilon_r = 57.2$; $\rho = 1000 \text{ kg/m}^3$; Liquid Level : 152 mm

Phantom section: Flat Section ; DUT test position : Body ; Modulation Type: BPSK
 Separation Distance : 15 mm (The bottom side of the EUT to the Phantom)
 Antenna Type : monopole Antenna ; Air Temp. : 23.6 degrees ; Liquid Temp. : 22.6 degrees
 DASY4 Configuration:

- Probe: ET3DV6 - SN1790 ; ConvF(6.15, 6.15, 6.15) ; Calibrated: 2007/11/20
- Sensor-Surface: 4mm (Mechanical Surface Detection)
- Electronics: DAE3 Sn510 ; Calibrated: 2007/8/29
- Phantom: SAM 12 ; Type: SAM V4.0; Serial: TP 1202
- Measurement SW: DASY4, V4.7 Build 53 ; Postprocessing SW: SEMCAD, V1.8 Build 172

Mid Channel 4182/Area Scan (7x12x1): Measurement grid: $dx=15\text{mm}$, $dy=15\text{mm}$

Maximum value of SAR (measured) = 0.281 mW/g

Mid Channel 4182/Zoom Scan (7x7x7) (7x7x7)/Cube 0: Measurement grid: $dx=5\text{mm}$, $dy=5\text{mm}$, $dz=5\text{mm}$

Reference Value = 16.9 V/m

Peak SAR (extrapolated) = 0.324 W/kg

SAR(1 g) = 0.265 mW/g; SAR(10 g) = 0.196 mW/g

Maximum value of SAR (measured) = 0.280 mW/g

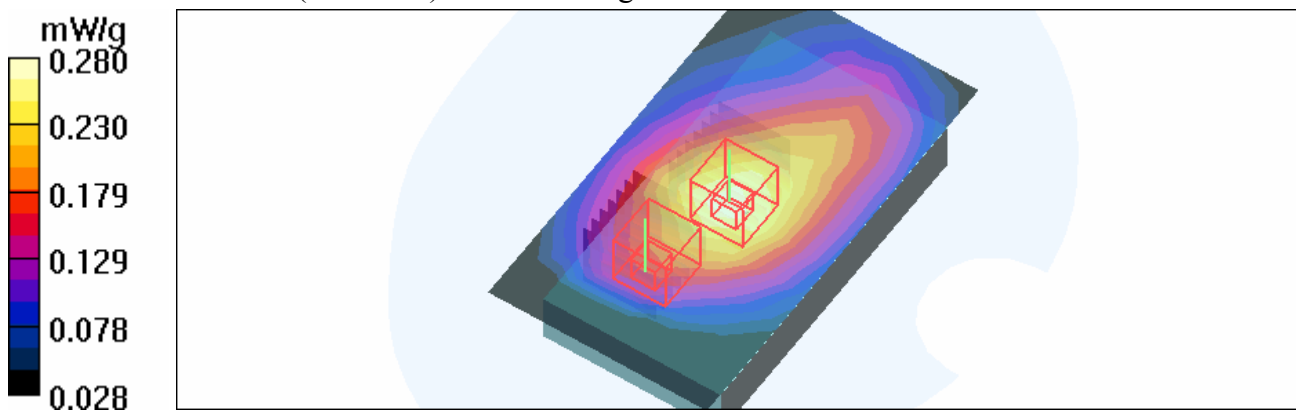
Mid Channel 4182/Zoom Scan (7x7x7) (7x7x7)/Cube 1: Measurement grid: $dx=5\text{mm}$, $dy=5\text{mm}$, $dz=5\text{mm}$

Reference Value = 16.9 V/m

Peak SAR (extrapolated) = 0.274 W/kg

SAR(1 g) = 0.181 mW/g; SAR(10 g) = 0.122 mW/g

Maximum value of SAR (measured) = 0.197 mW/g



Test Laboratory: Advance Data Technology

M22-Body-HSDPA850-Ch4182

DUT: Pocket PC Phone ; Type: SEDN100 ; Test Frequency: 836.4 MHz

Communication System: WCDMA ; Frequency: 836.4 MHz ; Duty Cycle: 1:1

Medium: MSL835 Medium parameters used: $f = 836.4$ MHz; $\sigma = 1$ mho/m; $\epsilon_r = 57.2$; $\rho = 1000$ kg/m³ ; Liquid Level : 152 mm

Phantom section: Flat Section ; DUT test position : Body ; Modulation Type: BPSK

Separation Distance : 15 mm (The bottom side of the EUT to the Phantom)

Antenna Type : monopole Antenna ; Air Temp. : 23.6 degrees ; Liquid Temp. : 22.6 degrees

DASY4 Configuration:

- Probe: ET3DV6 - SN1790 ; ConvF(6.15, 6.15, 6.15) ; Calibrated: 2007/11/20

- Sensor-Surface: 4mm (Mechanical Surface Detection)

- Electronics: DAE3 Sn510 ; Calibrated: 2007/8/29

- Phantom: SAM 12 ; Type: SAM V4.0; Serial: TP 1202

- Measurement SW: DASY4, V4.7 Build 53 ; Postprocessing SW: SEMCAD, V1.8 Build 172

Mid Channel 4182/Area Scan (7x12x1): Measurement grid: dx=15mm, dy=15mm

Maximum value of SAR (measured) = 0.214 mW/g

Mid Channel 4182/Zoom Scan (7x7x7) (7x7x7)/Cube 0: Measurement grid: dx=5mm, dy=5mm, dz=5mm

Reference Value = 14.8 V/m

Peak SAR (extrapolated) = 0.256 W/kg

SAR(1 g) = 0.207 mW/g; SAR(10 g) = 0.152 mW/g

Maximum value of SAR (measured) = 0.220 mW/g

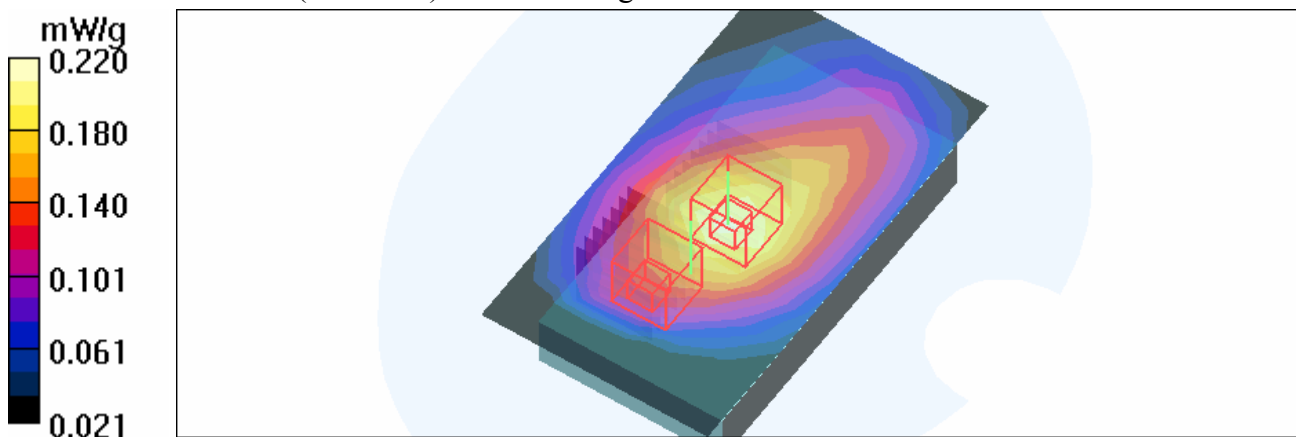
Mid Channel 4182/Zoom Scan (7x7x7) (7x7x7)/Cube 1: Measurement grid: dx=5mm, dy=5mm, dz=5mm

Reference Value = 14.8 V/m

Peak SAR (extrapolated) = 0.205 W/kg

SAR(1 g) = 0.138 mW/g; SAR(10 g) = 0.094 mW/g

Maximum value of SAR (measured) = 0.152 mW/g



Test Laboratory: Advance Data Technology

M23-Body-WCDMA850-Ch4182

DUT: Pocket PC Phone ; Type: SEDN100 ; Test Frequency: 836.4 MHz

Communication System: WCDMA ; Frequency: 836.4 MHz ; Duty Cycle: 1:1
 Medium: MSL835 Medium parameters used: $f = 836.4 \text{ MHz}$; $\sigma = 1 \text{ mho/m}$; $\epsilon_r = 57.2$; $\rho = 1000 \text{ kg/m}^3$; Liquid Level : 152 mm

Phantom section: Flat Section ; DUT test position : Body ; Modulation Type: BPSK

Separation Distance : 15 mm (The front side of the EUT to the Phantom)

Antenna Type : monopole Antenna ; Air Temp. : 23.6 degrees ; Liquid Temp. : 22.6 degrees

DASY4 Configuration:

- Probe: ET3DV6 - SN1790 ; ConvF(6.15, 6.15, 6.15) ; Calibrated: 2007/11/20
- Sensor-Surface: 4mm (Mechanical Surface Detection)
- Electronics: DAE3 Sn510 ; Calibrated: 2007/8/29
- Phantom: SAM 12 ; Type: SAM V4.0; Serial: TP 1202
- Measurement SW: DASY4, V4.7 Build 53 ; Postprocessing SW: SEMCAD, V1.8 Build 172

Mid Channel 4182/Area Scan (7x12x1): Measurement grid: $dx=15\text{mm}$, $dy=15\text{mm}$

Maximum value of SAR (measured) = 0.145 mW/g

Mid Channel 4182/Zoom Scan (7x7x7) (7x7x7)/Cube 0: Measurement grid: $dx=5\text{mm}$, $dy=5\text{mm}$, $dz=5\text{mm}$

Reference Value = 11.3 V/m

Peak SAR (extrapolated) = 0.180 W/kg

SAR(1 g) = 0.139 mW/g; SAR(10 g) = 0.101 mW/g

Maximum value of SAR (measured) = 0.148 mW/g

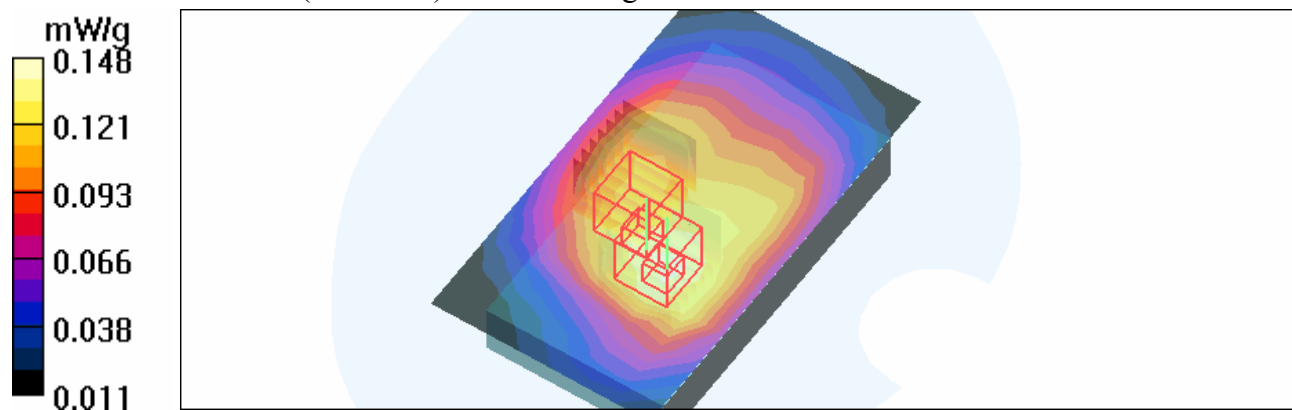
Mid Channel 4182/Zoom Scan (7x7x7) (7x7x7)/Cube 1: Measurement grid: $dx=5\text{mm}$, $dy=5\text{mm}$, $dz=5\text{mm}$

Reference Value = 11.3 V/m

Peak SAR (extrapolated) = 0.161 W/kg

SAR(1 g) = 0.127 mW/g; SAR(10 g) = 0.095 mW/g

Maximum value of SAR (measured) = 0.139 mW/g



Test Laboratory: Advance Data Technology

M24-Right Head-Cheek-PCS1900-Ch661

DUT: Pocket PC Phone ; Type: SEDN100 ; Test Frequency: 1880 MHz

Communication System: PCS 1900 ; Frequency: 1880 MHz ; Duty Cycle: 1:8.3

Medium: HSL1900 Medium parameters used: $f = 1880 \text{ MHz}$; $\sigma = 1.41 \text{ mho/m}$; $\epsilon_r = 41.2$; $\rho = 1000 \text{ kg/m}^3$;
Liquid level: 152 mm

Phantom section: Right Section ; DUT test position : Cheek ; Modulation type: GMSK

Antenna type : monopole Antenna ; Air temp. : 23.6 degrees ; Liquid temp. : 22.3 degrees

DASY4 Configuration:

- Probe: ET3DV6 - SN1790 ; ConvF(5.1, 5.1, 5.1) ; Calibrated: 2007/11/20
- Sensor-Surface: 4mm (Mechanical Surface Detection)
- Electronics: DAE3 Sn510; Calibrated: 2007/8/29
- Phantom: SAM 12; Type: SAM V4.0; Serial: TP 1202
- Measurement SW: DASY4, V4.7 Build 53; Postprocessing SW: SEMCAD, V1.8 Build 172

Touch position - Mid Channel 661/Area Scan (7x11x1): Measurement grid: $dx=15\text{mm}$, $dy=15\text{mm}$

Maximum value of SAR (measured) = 0.810 mW/g

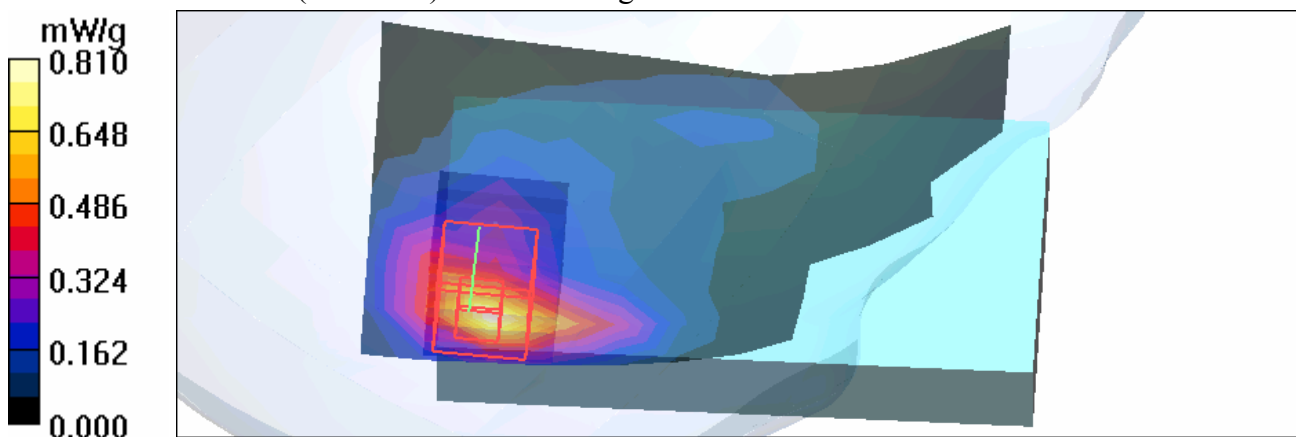
Touch position - Mid Channel 661/Zoom Scan (7x7x7) (7x7x7)/Cube 0: Measurement grid: $dx=5\text{mm}$, $dy=5\text{mm}$, $dz=5\text{mm}$

Reference Value = 15.1 V/m

Peak SAR (extrapolated) = 1.44 W/kg

SAR(1 g) = 0.713 mW/g; SAR(10 g) = 0.359 mW/g

Maximum value of SAR (measured) = 0.797 mW/g



Test Laboratory: Advance Data Technology

M25-Right Head-Tilt-PCS1900-Ch661**DUT: Pocket PC Phone ; Type: SEDN100 ; Test Frequency: 1880 MHz**

Communication System: PCS 1900 ; Frequency: 1880 MHz; Duty Cycle: 1:8.3

Medium: HSL1900 Medium parameters used: $f = 1880 \text{ MHz}$; $\sigma = 1.41 \text{ mho/m}$; $\epsilon_r = 41.2$; $\rho = 1000 \text{ kg/m}^3$;
Liquid level: 152 mm

Phantom section: Right Section ; DUT test position : Tilt ; Modulation type: GMSK

Antenna type : monopole Antenna ; Air temp. : 23.6 degrees ; Liquid temp. : 22.3 degrees

DASY4 Configuration:

- Probe: ET3DV6 - SN1790 ; ConvF(5.1, 5.1, 5.1) ; Calibrated: 2007/11/20
- Sensor-Surface: 4mm (Mechanical Surface Detection)
- Electronics: DAE3 Sn510; Calibrated: 2007/8/29
- Phantom: SAM 12; Type: SAM V4.0; Serial: TP 1202
- Measurement SW: DASY4, V4.7 Build 53; Postprocessing SW: SEMCAD, V1.8 Build 172

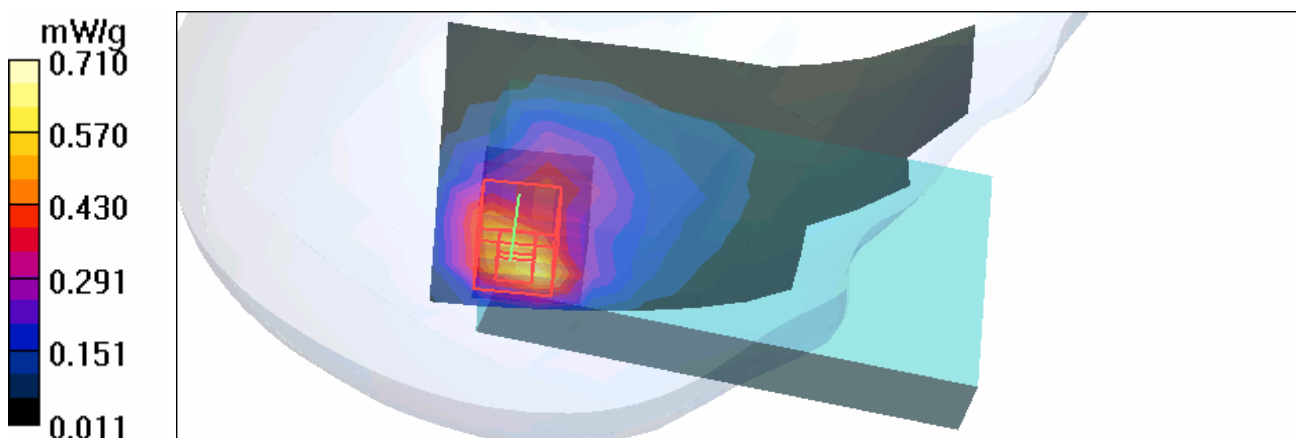
Tilt position - Mid Channel 661/Area Scan (7x11x1): Measurement grid: $dx=15\text{mm}$, $dy=15\text{mm}$
Maximum value of SAR (measured) = 0.645 mW/g**Tilt position - Mid Channel 661/Zoom Scan (7x7x7) (7x7x7)/Cube 0:** Measurement grid:
 $dx=5\text{mm}$, $dy=5\text{mm}$, $dz=5\text{mm}$

Reference Value = 17.8 V/m

Peak SAR (extrapolated) = 1.22 W/kg

SAR(1 g) = 0.635 mW/g; SAR(10 g) = 0.332 mW/g

Maximum value of SAR (measured) = 0.710 mW/g



Test Laboratory: Advance Data Technology

M26-Left Head-Cheek-PCS1900-Ch661

DUT: Pocket PC Phone ; Type: SEDN100 ; Test Frequency: 1880 MHz

Communication System: PCS 1900 ; Frequency: 1880 MHz ; Duty Cycle: 1:8.3

Medium: HSL1900 Medium parameters used: $f = 1880 \text{ MHz}$; $\sigma = 1.41 \text{ mho/m}$; $\epsilon_r = 41.2$; $\rho = 1000 \text{ kg/m}^3$;
Liquid level: 152 mm

Phantom section: Left Section ; DUT test position : Cheek ; Modulation type: GMSK

Antenna type : monopole Antenna ; Air temp. : 23.6 degrees ; Liquid temp. : 22.3 degrees

DASY4 Configuration:

- Probe: ET3DV6 - SN1790 ; ConvF(5.1, 5.1, 5.1) ; Calibrated: 2007/11/20
- Sensor-Surface: 4mm (Mechanical Surface Detection)
- Electronics: DAE3 Sn510; Calibrated: 2007/8/29
- Phantom: SAM 12; Type: SAM V4.0; Serial: TP 1202
- Measurement SW: DASY4, V4.7 Build 53; Postprocessing SW: SEMCAD, V1.8 Build 172

Touch position - Mid Channel 661/Area Scan (7x11x1): Measurement grid: $dx=15\text{mm}$, $dy=15\text{mm}$

Maximum value of SAR (measured) = 0.435 mW/g

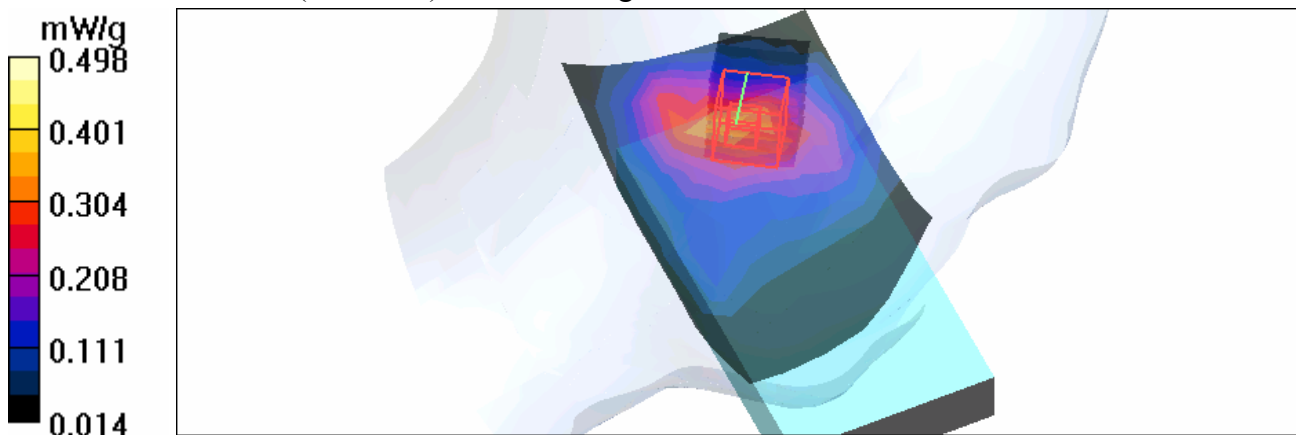
Touch position - Mid Channel 661/Zoom Scan (7x7x7) (7x7x7)/Cube 0: Measurement grid: $dx=5\text{mm}$, $dy=5\text{mm}$, $dz=5\text{mm}$

Reference Value = 19.1 V/m

Peak SAR (extrapolated) = 0.772 W/kg

SAR(1 g) = 0.449 mW/g; SAR(10 g) = 0.256 mW/g

Maximum value of SAR (measured) = 0.498 mW/g



Test Laboratory: Advance Data Technology

M27-Left Head-Tilt-PCS1900-Ch661

DUT: Pocket PC Phone ; Type: SEDN100 ; Test Frequency: 1880 MHz

Communication System: PCS 1900 ; Frequency: 1880 MHz; Duty Cycle: 1:8.3

Medium: HSL1900 Medium parameters used: $f = 1880 \text{ MHz}$; $\sigma = 1.41 \text{ mho/m}$; $\epsilon_r = 41.2$; $\rho = 1000 \text{ kg/m}^3$;
Liquid level: 152 mm

Phantom section: Left Section ; DUT test position : Tilt ; Modulation type: GMSK

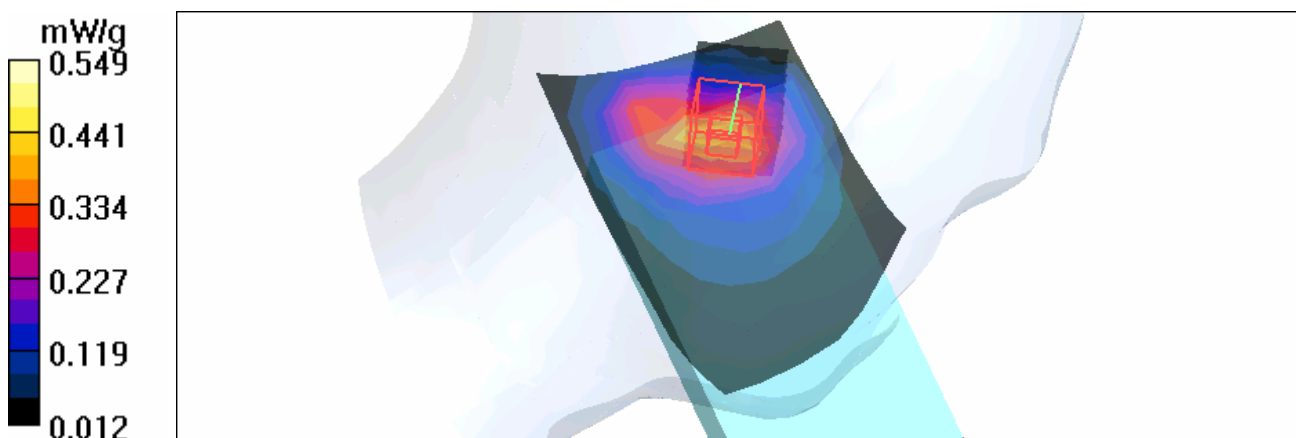
Antenna type : monopole Antenna ; Air temp. : 23.6 degrees ; Liquid temp. : 22.3 degrees

DASY4 Configuration:

- Probe: ET3DV6 - SN1790 ; ConvF(5.1, 5.1, 5.1) ; Calibrated: 2007/11/20
- Sensor-Surface: 4mm (Mechanical Surface Detection)
- Electronics: DAE3 Sn510; Calibrated: 2007/8/29
- Phantom: SAM 12; Type: SAM V4.0; Serial: TP 1202
- Measurement SW: DASY4, V4.7 Build 53; Postprocessing SW: SEMCAD, V1.8 Build 172

Tilt position - Mid Channel 661/Area Scan (7x11x1): Measurement grid: $dx=15\text{mm}$, $dy=15\text{mm}$
Maximum value of SAR (measured) = 0.473 mW/g

Tilt position - Mid Channel 661/Zoom Scan (7x7x7) (7x7x7)/Cube 0: Measurement grid:
 $dx=5\text{mm}$, $dy=5\text{mm}$, $dz=5\text{mm}$
Reference Value = 20.1 V/m
Peak SAR (extrapolated) = 0.815 W/kg
SAR(1 g) = 0.498 mW/g; SAR(10 g) = 0.289 mW/g
Maximum value of SAR (measured) = 0.549 mW/g



Test Laboratory: Advance Data Technology

M28-Body-GPRS1900 TS1-Ch661

DUT: Pocket PC Phone ; Type: SEDN100 ; Test Frequency: 1880 MHz

Communication System: PCS 1900 ; Frequency: 1880 MHz ; Duty Cycle: 1:8.3

Medium: MSL1900 Medium parameters used: $f = 1880 \text{ MHz}$; $\sigma = 1.51 \text{ mho/m}$; $\epsilon_r = 54.8$; $\rho = 1000 \text{ kg/m}^3$; Liquid Level : 155 mm

Phantom section: Flat Section ; DUT test position : Body ; Modulation Type: GMSK / UL 1 time slot

Separation Distance : 15 mm (The bottom side of the EUT to the Phantom)

Antenna Type : monopole Antenna ; Air Temp. : 23.5 degrees ; Liquid Temp. : 22.7 degrees

DASY4 Configuration:

- Probe: ET3DV6 - SN1790 ; ConvF(4.58, 4.58, 4.58) ; Calibrated: 2007/11/20

- Sensor-Surface: 4mm (Mechanical Surface Detection)

- Electronics: DAE3 Sn510 ; Calibrated: 2007/8/29

- Phantom: SAM 12 ; Type: SAM V4.0; Serial: TP 1202

- Measurement SW: DASY4, V4.7 Build 53 ; Postprocessing SW: SEMCAD, V1.8 Build 172

Mid Channel 661/Area Scan (7x12x1): Measurement grid: $dx=15\text{mm}$, $dy=15\text{mm}$

Maximum value of SAR (measured) = 0.164 mW/g

Mid Channel 661/Zoom Scan (7x7x7) (7x7x7)/Cube 0: Measurement grid: $dx=5\text{mm}$, $dy=5\text{mm}$, $dz=5\text{mm}$

Reference Value = 8.54 V/m

Peak SAR (extrapolated) = 0.257 W/kg

SAR(1 g) = 0.151 mW/g; SAR(10 g) = 0.088 mW/g

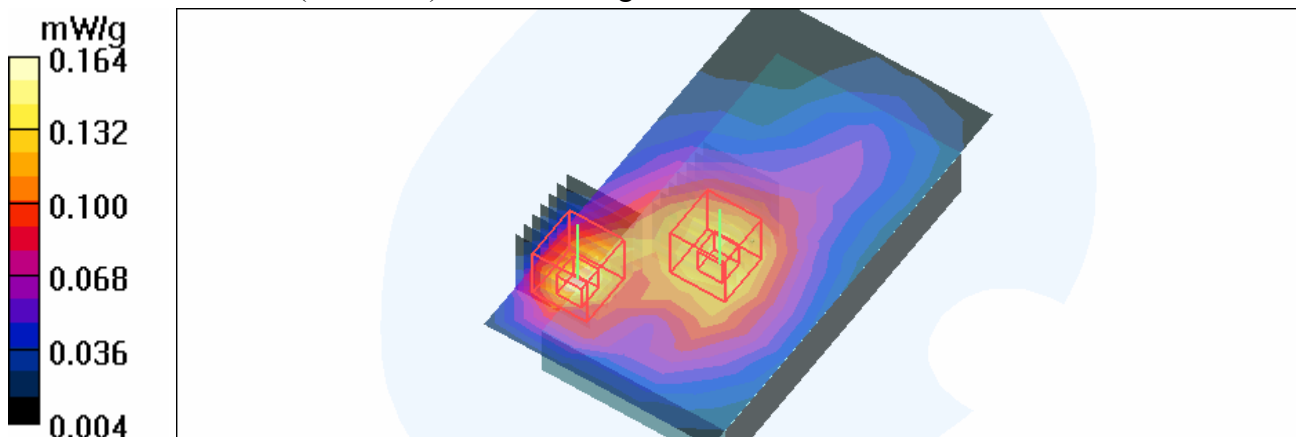
Mid Channel 661/Zoom Scan (7x7x7) (7x7x7)/Cube 1: Measurement grid: $dx=5\text{mm}$, $dy=5\text{mm}$, $dz=5\text{mm}$

Reference Value = 8.54 V/m

Peak SAR (extrapolated) = 0.180 W/kg

SAR(1 g) = 0.123 mW/g; SAR(10 g) = 0.083 mW/g

Maximum value of SAR (measured) = 0.130 mW/g



Test Laboratory: Advance Data Technology

M29-Body-GPRS1900 TS2-Ch661

DUT: Pocket PC Phone ; Type: SEDN100 ; Test Frequency: 1880 MHz

Communication System: PCS 1900 ; Frequency: 1880 MHz ; Duty Cycle: 1:4

Medium: MSL1900 Medium parameters used: $f = 1880 \text{ MHz}$; $\sigma = 1.51 \text{ mho/m}$; $\epsilon_r = 54.8$; $\rho = 1000 \text{ kg/m}^3$; Liquid Level : 155 mm

Phantom section: Flat Section ; DUT test position : Body ; Modulation Type: GMSK / UL 2 time slots

Separation Distance : 15 mm (The bottom side of the EUT to the Phantom)

Antenna Type : monopole Antenna ; Air Temp. : 23.5 degrees ; Liquid Temp. : 22.7 degrees

DASY4 Configuration:

- Probe: ET3DV6 - SN1790 ; ConvF(4.58, 4.58, 4.58) ; Calibrated: 2007/11/20

- Sensor-Surface: 4mm (Mechanical Surface Detection)

- Electronics: DAE3 Sn510 ; Calibrated: 2007/8/29

- Phantom: SAM 12 ; Type: SAM V4.0; Serial: TP 1202

- Measurement SW: DASY4, V4.7 Build 53 ; Postprocessing SW: SEMCAD, V1.8 Build 172

Mid Channel 661/Area Scan (7x12x1): Measurement grid: $dx=15\text{mm}$, $dy=15\text{mm}$

Maximum value of SAR (measured) = 0.302 mW/g

Mid Channel 661/Zoom Scan (7x7x7) (7x7x7)/Cube 0: Measurement grid: $dx=5\text{mm}$, $dy=5\text{mm}$, $dz=5\text{mm}$

Reference Value = 11.3 V/m

Peak SAR (extrapolated) = 0.458 W/kg

SAR(1 g) = 0.275 mW/g; SAR(10 g) = 0.161 mW/g

Maximum value of SAR (measured) = 0.301 mW/g

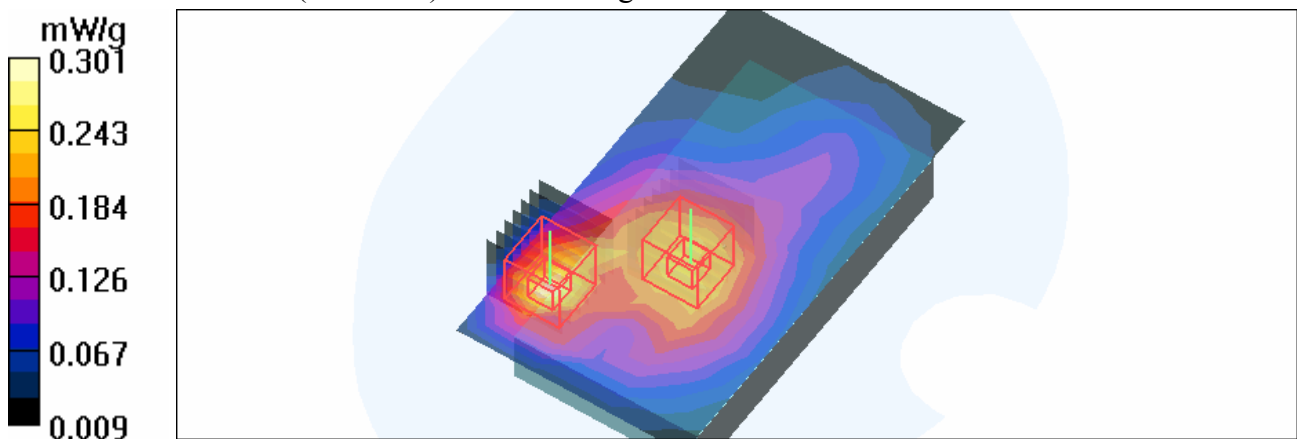
Mid Channel 661/Zoom Scan (7x7x7) (7x7x7)/Cube 1: Measurement grid: $dx=5\text{mm}$, $dy=5\text{mm}$, $dz=5\text{mm}$

Reference Value = 11.3 V/m

Peak SAR (extrapolated) = 0.330 W/kg

SAR(1 g) = 0.224 mW/g; SAR(10 g) = 0.152 mW/g

Maximum value of SAR (measured) = 0.238 mW/g



Test Laboratory: Advance Data Technology

M30-Body-GPRS1900 TS3-Ch661

DUT: Pocket PC Phone ; Type: SEDN100 ; Test Frequency: 1880 MHz

Communication System: PCS 1900 ; Frequency: 1880 MHz ; Duty Cycle: 1:2.67

Medium: MSL1900 Medium parameters used: $f = 1880 \text{ MHz}$; $\sigma = 1.51 \text{ mho/m}$; $\epsilon_r = 54.8$; $\rho = 1000 \text{ kg/m}^3$; Liquid Level : 155 mm

Phantom section: Flat Section ; DUT test position : Body ; Modulation Type: GMSK / UL 3 time slots

Separation Distance : 15 mm (The bottom side of the EUT to the Phantom)

Antenna Type : monopole Antenna ; Air Temp. : 23.5 degrees ; Liquid Temp. : 22.7 degrees

DASY4 Configuration:

- Probe: ET3DV6 - SN1790 ; ConvF(4.58, 4.58, 4.58) ; Calibrated: 2007/11/20

- Sensor-Surface: 4mm (Mechanical Surface Detection)

- Electronics: DAE3 Sn510 ; Calibrated: 2007/8/29

- Phantom: SAM 12 ; Type: SAM V4.0; Serial: TP 1202

- Measurement SW: DASY4, V4.7 Build 53 ; Postprocessing SW: SEMCAD, V1.8 Build 172

Mid Channel 661/Area Scan (7x12x1): Measurement grid: $dx=15\text{mm}$, $dy=15\text{mm}$

Maximum value of SAR (measured) = 0.417 mW/g

Mid Channel 661/Zoom Scan (7x7x7) (7x7x7)/Cube 0: Measurement grid: $dx=5\text{mm}$, $dy=5\text{mm}$, $dz=5\text{mm}$

Reference Value = 13.3 V/m

Peak SAR (extrapolated) = 0.639 W/kg

SAR(1 g) = 0.382 mW/g; SAR(10 g) = 0.223 mW/g

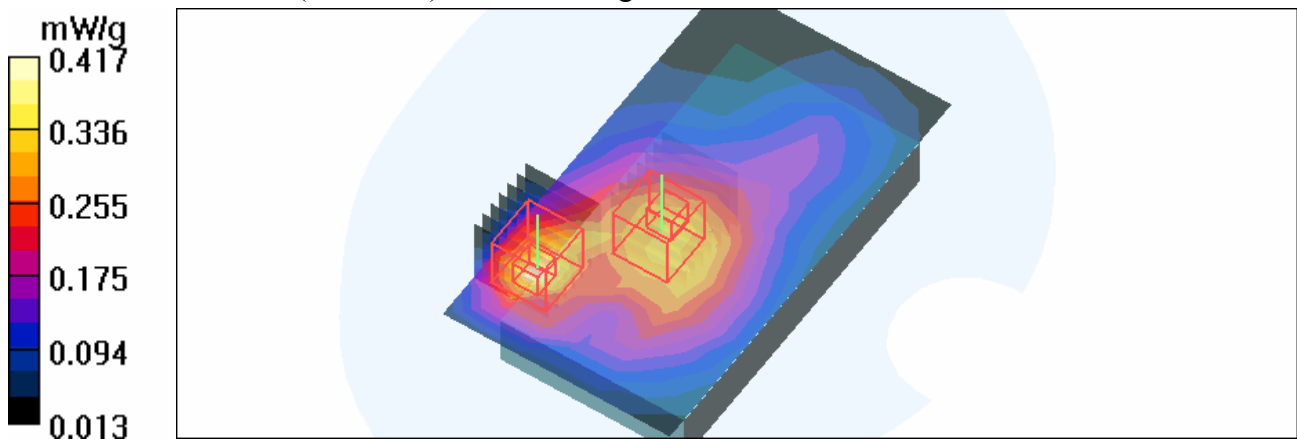
Mid Channel 661/Zoom Scan (7x7x7) (7x7x7)/Cube 1: Measurement grid: $dx=5\text{mm}$, $dy=5\text{mm}$, $dz=5\text{mm}$

Reference Value = 13.3 V/m

Peak SAR (extrapolated) = 0.690 W/kg

SAR(1 g) = 0.346 mW/g; SAR(10 g) = 0.203 mW/g

Maximum value of SAR (measured) = 0.364 mW/g



Test Laboratory: Advance Data Technology

M31-Body-GPRS1900 TS4-Ch661

DUT: Pocket PC Phone ; Type: SEDN100 ; Test Frequency: 1880 MHz

Communication System: PCS 1900 ; Frequency: 1880 MHz ; Duty Cycle: 1:2

Medium: MSL1900 Medium parameters used: $f = 1880$ MHz; $\sigma = 1.51$ mho/m; $\epsilon_r = 54.8$; $\rho = 1000$ kg/m³ ; Liquid Level : 155 mm

Phantom section: Flat Section ; DUT test position : Body ; Modulation Type: GMSK / UL 4 time slots

Separation Distance : 15 mm (The bottom side of the EUT to the Phantom)

Antenna Type : monopole Antenna ; Air Temp. : 23.5 degrees ; Liquid Temp. : 22.7 degrees

DASY4 Configuration:

- Probe: ET3DV6 - SN1790 ; ConvF(4.58, 4.58, 4.58) ; Calibrated: 2007/11/20

- Sensor-Surface: 4mm (Mechanical Surface Detection)

- Electronics: DAE3 Sn510 ; Calibrated: 2007/8/29

- Phantom: SAM 12 ; Type: SAM V4.0; Serial: TP 1202

- Measurement SW: DASY4, V4.7 Build 53 ; Postprocessing SW: SEMCAD, V1.8 Build 172

Mid Channel 661/Area Scan (7x12x1): Measurement grid: dx=15mm, dy=15mm

Maximum value of SAR (measured) = 0.549 mW/g

Mid Channel 661/Zoom Scan (7x7x7) (7x7x7)/Cube 0: Measurement grid: dx=5mm, dy=5mm, dz=5mm

Reference Value = 15.5 V/m

Peak SAR (extrapolated) = 0.831 W/kg

SAR(1 g) = 0.490 mW/g; SAR(10 g) = 0.286 mW/g

Maximum value of SAR (measured) = 0.537 mW/g

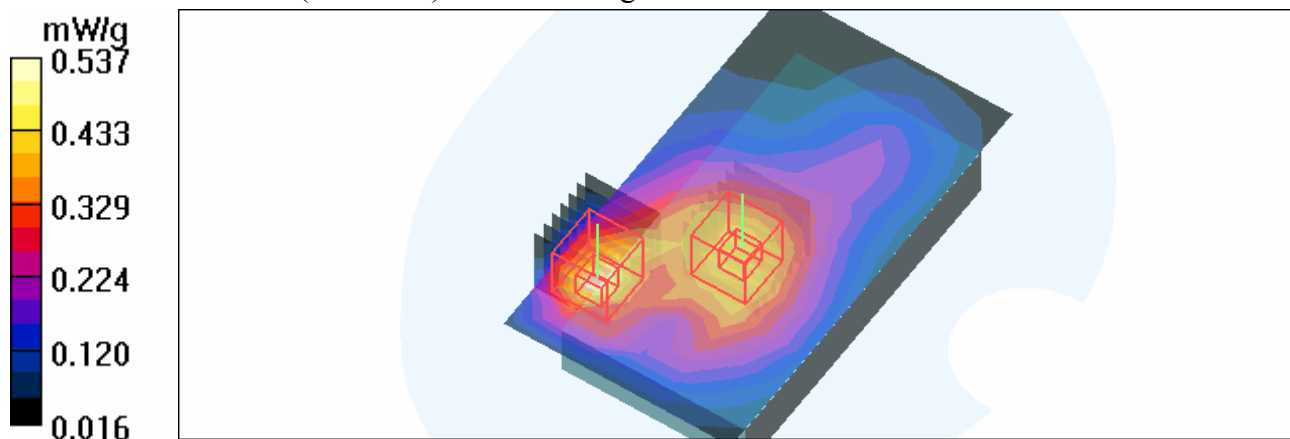
Mid Channel 661/Zoom Scan (7x7x7) (7x7x7)/Cube 1: Measurement grid: dx=5mm, dy=5mm, dz=5mm

Reference Value = 15.5 V/m

Peak SAR (extrapolated) = 0.603 W/kg

SAR(1 g) = 0.403 mW/g; SAR(10 g) = 0.271 mW/g

Maximum value of SAR (measured) = 0.428 mW/g



Test Laboratory: Advance Data Technology

M32-Body-GPRS1900 TS4-Ch661

DUT: Pocket PC Phone ; Type: SEDN100 ; Test Frequency: 1880 MHz

Communication System: PCS 1900 ; Frequency: 1880 MHz ; Duty Cycle: 1:2

Medium: MSL1900 Medium parameters used: $f = 1880 \text{ MHz}$; $\sigma = 1.51 \text{ mho/m}$; $\epsilon_r = 54.8$; $\rho = 1000 \text{ kg/m}^3$; Liquid Level : 155 mm

Phantom section: Flat Section ; DUT test position : Body ; Modulation Type: GMSK / UL 4 time slots
Separation Distance : 15 mm (The front side of the EUT to the Phantom)

Antenna Type : monopole Antenna ; Air Temp. : 23.5 degrees ; Liquid Temp. : 22.7 degrees

DASY4 Configuration:

- Probe: ET3DV6 - SN1790 ; ConvF(4.58, 4.58, 4.58) ; Calibrated: 2007/11/20
- Sensor-Surface: 4mm (Mechanical Surface Detection)
- Electronics: DAE3 Sn510 ; Calibrated: 2007/8/29
- Phantom: SAM 12 ; Type: SAM V4.0; Serial: TP 1202
- Measurement SW: DASY4, V4.7 Build 53 ; Postprocessing SW: SEMCAD, V1.8 Build 172

Mid Channel 661/Area Scan (7x12x1): Measurement grid: $dx=15\text{mm}$, $dy=15\text{mm}$

Maximum value of SAR (measured) = 0.500 mW/g

Mid Channel 661/Zoom Scan (7x7x7) (7x7x7)/Cube 0: Measurement grid: $dx=5\text{mm}$, $dy=5\text{mm}$, $dz=5\text{mm}$

Reference Value = 12.6 V/m

Peak SAR (extrapolated) = 0.736 W/kg

SAR(1 g) = 0.472 mW/g; SAR(10 g) = 0.303 mW/g

Maximum value of SAR (measured) = 0.506 mW/g

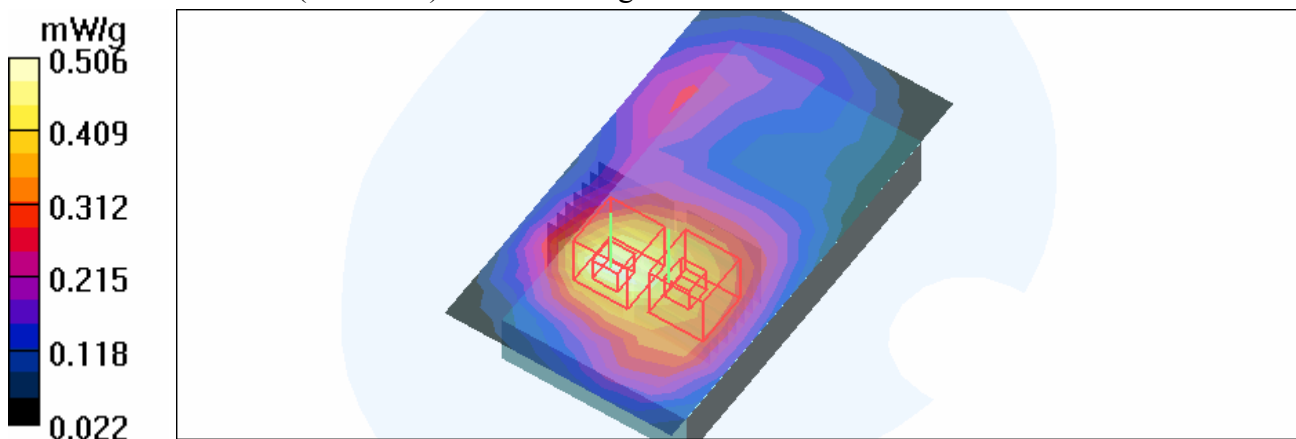
Mid Channel 661/Zoom Scan (7x7x7) (7x7x7)/Cube 1: Measurement grid: $dx=5\text{mm}$, $dy=5\text{mm}$, $dz=5\text{mm}$

Reference Value = 12.6 V/m

Peak SAR (extrapolated) = 0.565 W/kg

SAR(1 g) = 0.357 mW/g; SAR(10 g) = 0.229 mW/g

Maximum value of SAR (measured) = 0.397 mW/g



Test Laboratory: Advance Data Technology

M33-Body-E-GPRS1900 TS1-Ch661

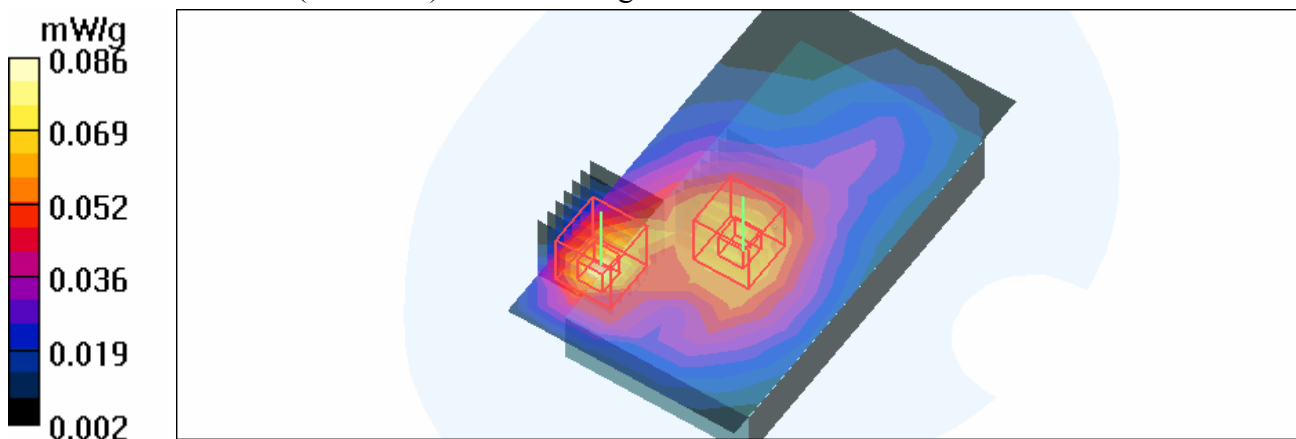
DUT: Pocket PC Phone ; Type: SEDN100 ; Test Frequency: 1880 MHz

Communication System: PCS 1900 ; Frequency: 1880 MHz ; Duty Cycle: 1:8.3
 Medium: MSL1900 Medium parameters used: $f = 1880 \text{ MHz}$; $\sigma = 1.51 \text{ mho/m}$; $\epsilon_r = 54.8$; $\rho = 1000 \text{ kg/m}^3$; Liquid Level : 155 mm
 Phantom section: Flat Section ; DUT test position : Body ; Modulation Type: 8PSK / UL 1 time slot
 Separation Distance : 15 mm (The bottom side of the EUT to the Phantom)
 Antenna Type : monopole Antenna ; Air Temp. : 23.5 degrees ; Liquid Temp. : 22.7 degrees
 DASY4 Configuration:
 - Probe: ET3DV6 - SN1790 ; ConvF(4.58, 4.58, 4.58) ; Calibrated: 2007/11/20
 - Sensor-Surface: 4mm (Mechanical Surface Detection)
 - Electronics: DAE3 Sn510 ; Calibrated: 2007/8/29
 - Phantom: SAM 12 ; Type: SAM V4.0; Serial: TP 1202
 - Measurement SW: DASY4, V4.7 Build 53 ; Postprocessing SW: SEMCAD, V1.8 Build 172

Mid Channel 661/Area Scan (7x12x1): Measurement grid: $dx=15\text{mm}$, $dy=15\text{mm}$
 Maximum value of SAR (measured) = 0.084 mW/g

Mid Channel 661/Zoom Scan (7x7x7) (7x7x7)/Cube 0: Measurement grid: $dx=5\text{mm}$, $dy=5\text{mm}$, $dz=5\text{mm}$
 Reference Value = 5.82 V/m
 Peak SAR (extrapolated) = 0.135 W/kg
SAR(1 g) = 0.079 mW/g; SAR(10 g) = 0.046 mW/g
 Maximum value of SAR (measured) = 0.086 mW/g

Mid Channel 661/Zoom Scan (7x7x7) (7x7x7)/Cube 1: Measurement grid: $dx=5\text{mm}$, $dy=5\text{mm}$, $dz=5\text{mm}$
 Reference Value = 5.82 V/m
 Peak SAR (extrapolated) = 0.099 W/kg
SAR(1 g) = 0.067 mW/g; SAR(10 g) = 0.045 mW/g
 Maximum value of SAR (measured) = 0.071 mW/g



Test Laboratory: Advance Data Technology

M34-Body-E-GPRS1900 TS2-Ch661

DUT: Pocket PC Phone ; Type: SEDN100 ; Test Frequency: 1880 MHz

Communication System: PCS 1900 ; Frequency: 1880 MHz ; Duty Cycle: 1:4

Medium: MSL1900 Medium parameters used: $f = 1880$ MHz; $\sigma = 1.51$ mho/m; $\epsilon_r = 54.8$; $\rho = 1000$ kg/m³ ; Liquid Level : 155 mm

Phantom section: Flat Section ; DUT test position : Body ; Modulation Type: 8PSK / UL 2 time slots

Separation Distance : 15 mm (The bottom side of the EUT to the Phantom)

Antenna Type : monopole Antenna ; Air Temp. : 23.5 degrees ; Liquid Temp. : 22.7 degrees

DASY4 Configuration:

- Probe: ET3DV6 - SN1790 ; ConvF(4.58, 4.58, 4.58) ; Calibrated: 2007/11/20

- Sensor-Surface: 4mm (Mechanical Surface Detection)

- Electronics: DAE3 Sn510 ; Calibrated: 2007/8/29

- Phantom: SAM 12 ; Type: SAM V4.0; Serial: TP 1202

- Measurement SW: DASY4, V4.7 Build 53 ; Postprocessing SW: SEMCAD, V1.8 Build 172

Mid Channel 661/Area Scan (7x12x1): Measurement grid: dx=15mm, dy=15mm

Maximum value of SAR (measured) = 0.170 mW/g

Mid Channel 661/Zoom Scan (7x7x7) (7x7x7)/Cube 0: Measurement grid: dx=5mm, dy=5mm, dz=5mm

Reference Value = 8.39 V/m

Peak SAR (extrapolated) = 0.267 W/kg

SAR(1 g) = 0.156 mW/g; SAR(10 g) = 0.091 mW/g

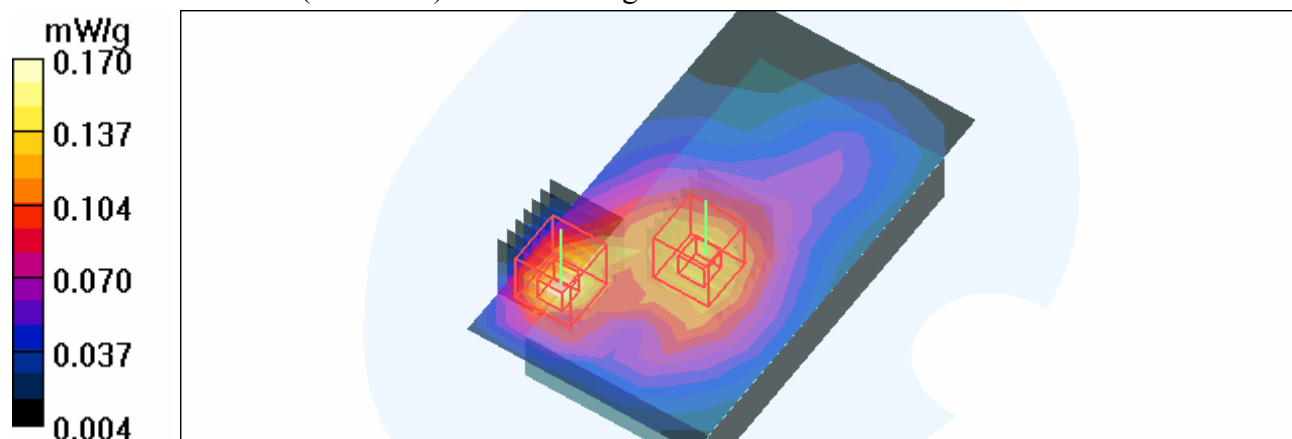
Mid Channel 661/Zoom Scan (7x7x7) (7x7x7)/Cube 1: Measurement grid: dx=5mm, dy=5mm, dz=5mm

Reference Value = 8.39 V/m

Peak SAR (extrapolated) = 0.187 W/kg

SAR(1 g) = 0.127 mW/g; SAR(10 g) = 0.086 mW/g

Maximum value of SAR (measured) = 0.135 mW/g



Test Laboratory: Advance Data Technology

M35-Body-E-GPRS1900 TS3-Ch661

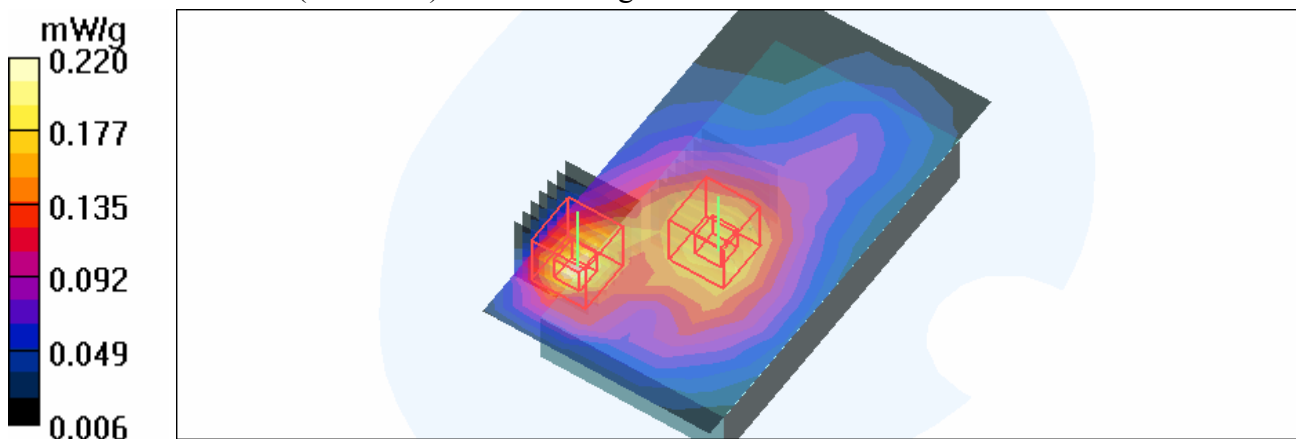
DUT: Pocket PC Phone ; Type: SEDN100 ; Test Frequency: 1880 MHz

Communication System: PCS 1900 ; Frequency: 1880 MHz ; Duty Cycle: 1:2.67
 Medium: MSL1900 Medium parameters used: $f = 1880 \text{ MHz}$; $\sigma = 1.51 \text{ mho/m}$; $\epsilon_r = 54.8$; $\rho = 1000 \text{ kg/m}^3$; Liquid Level : 155 mm
 Phantom section: Flat Section ; DUT test position : Body ; Modulation Type: 8PSK / UL 3 time slots
 Separation Distance : 15 mm (The bottom side of the EUT to the Phantom)
 Antenna Type : monopole Antenna ; Air Temp. : 23.5 degrees ; Liquid Temp. : 22.7 degrees
 DASY4 Configuration:
 - Probe: ET3DV6 - SN1790 ; ConvF(4.58, 4.58, 4.58) ; Calibrated: 2007/11/20
 - Sensor-Surface: 4mm (Mechanical Surface Detection)
 - Electronics: DAE3 Sn510 ; Calibrated: 2007/8/29
 - Phantom: SAM 12 ; Type: SAM V4.0; Serial: TP 1202
 - Measurement SW: DASY4, V4.7 Build 53 ; Postprocessing SW: SEMCAD, V1.8 Build 172

Mid Channel 661/Area Scan (7x12x1): Measurement grid: $dx=15\text{mm}$, $dy=15\text{mm}$
 Maximum value of SAR (measured) = 0.221 mW/g

Mid Channel 661/Zoom Scan (7x7x7) (7x7x7)/Cube 0: Measurement grid: $dx=5\text{mm}$, $dy=5\text{mm}$, $dz=5\text{mm}$
 Reference Value = 9.43 V/m
 Peak SAR (extrapolated) = 0.337 W/kg
SAR(1 g) = 0.202 mW/g; SAR(10 g) = 0.118 mW/g
 Maximum value of SAR (measured) = 0.220 mW/g

Mid Channel 661/Zoom Scan (7x7x7) (7x7x7)/Cube 1: Measurement grid: $dx=5\text{mm}$, $dy=5\text{mm}$, $dz=5\text{mm}$
 Reference Value = 9.43 V/m
 Peak SAR (extrapolated) = 0.252 W/kg
SAR(1 g) = 0.169 mW/g; SAR(10 g) = 0.114 mW/g
 Maximum value of SAR (measured) = 0.181 mW/g



Test Laboratory: Advance Data Technology

M36-Body-E-GPRS1900 TS4-Ch661

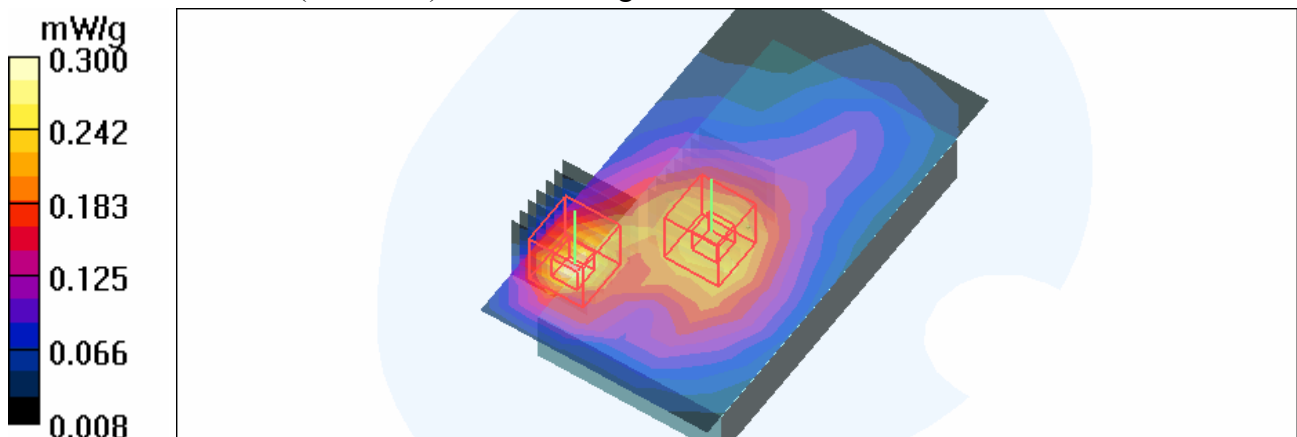
DUT: Pocket PC Phone ; Type: SEDN100 ; Test Frequency: 1880 MHz

Communication System: PCS 1900 ; Frequency: 1880 MHz ; Duty Cycle: 1:2
 Medium: MSL1900 Medium parameters used: $f = 1880 \text{ MHz}$; $\sigma = 1.51 \text{ mho/m}$; $\epsilon_r = 54.8$; $\rho = 1000 \text{ kg/m}^3$; Liquid Level : 155 mm
 Phantom section: Flat Section ; DUT test position : Body ; Modulation Type: 8PSK / UL 4 time slots
 Separation Distance : 15 mm (The bottom side of the EUT to the Phantom)
 Antenna Type : monopole Antenna ; Air Temp. : 23.5 degrees ; Liquid Temp. : 22.7 degrees
 DASY4 Configuration:
 - Probe: ET3DV6 - SN1790 ; ConvF(4.58, 4.58, 4.58) ; Calibrated: 2007/11/20
 - Sensor-Surface: 4mm (Mechanical Surface Detection)
 - Electronics: DAE3 Sn510 ; Calibrated: 2007/8/29
 - Phantom: SAM 12 ; Type: SAM V4.0; Serial: TP 1202
 - Measurement SW: DASY4, V4.7 Build 53 ; Postprocessing SW: SEMCAD, V1.8 Build 172

Mid Channel 661/Area Scan (7x12x1): Measurement grid: $dx=15\text{mm}$, $dy=15\text{mm}$
 Maximum value of SAR (measured) = 0.300 mW/g

Mid Channel 661/Zoom Scan (7x7x7) (7x7x7)/Cube 0: Measurement grid: $dx=5\text{mm}$, $dy=5\text{mm}$, $dz=5\text{mm}$
 Reference Value = 11.2 V/m
 Peak SAR (extrapolated) = 0.468 W/kg
SAR(1 g) = 0.275 mW/g; SAR(10 g) = 0.160 mW/g

Mid Channel 661/Zoom Scan (7x7x7) (7x7x7)/Cube 1: Measurement grid: $dx=5\text{mm}$, $dy=5\text{mm}$, $dz=5\text{mm}$
 Reference Value = 11.2 V/m
 Peak SAR (extrapolated) = 0.349 W/kg
SAR(1 g) = 0.231 mW/g; SAR(10 g) = 0.155 mW/g
 Maximum value of SAR (measured) = 0.246 mW/g



Test Laboratory: Advance Data Technology

M37-Body-E-GPRS1900 TS4-Ch661

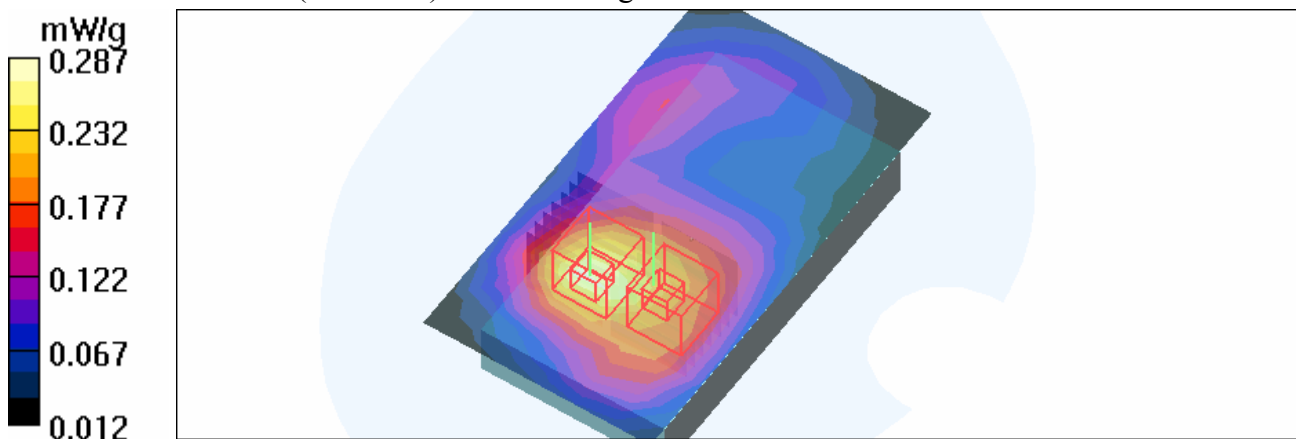
DUT: Pocket PC Phone ; Type: SEDN100 ; Test Frequency: 1880 MHz

Communication System: PCS 1900 ; Frequency: 1880 MHz ; Duty Cycle: 1:2
 Medium: MSL1900 Medium parameters used: $f = 1880 \text{ MHz}$; $\sigma = 1.51 \text{ mho/m}$; $\epsilon_r = 54.8$; $\rho = 1000 \text{ kg/m}^3$; Liquid Level : 155 mm
 Phantom section: Flat Section ; DUT test position : Body ; Modulation Type: 8PSK / UL 4 time slots
 Separation Distance : 15 mm (The front side of the EUT to the Phantom)
 Antenna Type : monopole Antenna ; Air Temp. : 23.5 degrees ; Liquid Temp. : 22.7 degrees
 DASY4 Configuration:
 - Probe: ET3DV6 - SN1790 ; ConvF(4.58, 4.58, 4.58) ; Calibrated: 2007/11/20
 - Sensor-Surface: 4mm (Mechanical Surface Detection)
 - Electronics: DAE3 Sn510 ; Calibrated: 2007/8/29
 - Phantom: SAM 12 ; Type: SAM V4.0; Serial: TP 1202
 - Measurement SW: DASY4, V4.7 Build 53 ; Postprocessing SW: SEMCAD, V1.8 Build 172

Mid Channel 661/Area Scan (7x12x1): Measurement grid: $dx=15\text{mm}$, $dy=15\text{mm}$
 Maximum value of SAR (measured) = 0.277 mW/g

Mid Channel 661/Zoom Scan (7x7x7) (7x7x7)/Cube 0: Measurement grid: $dx=5\text{mm}$, $dy=5\text{mm}$, $dz=5\text{mm}$
 Reference Value = 9.17 V/m
 Peak SAR (extrapolated) = 0.418 W/kg
SAR(1 g) = 0.268 mW/g; SAR(10 g) = 0.172 mW/g
 Maximum value of SAR (measured) = 0.287 mW/g

Mid Channel 661/Zoom Scan (7x7x7) (7x7x7)/Cube 1: Measurement grid: $dx=5\text{mm}$, $dy=5\text{mm}$, $dz=5\text{mm}$
 Reference Value = 9.17 V/m
 Peak SAR (extrapolated) = 0.319 W/kg
SAR(1 g) = 0.204 mW/g; SAR(10 g) = 0.129 mW/g
 Maximum value of SAR (measured) = 0.228 mW/g



Test Laboratory: Advance Data Technology

M38-Body-PCS1900-Ch661

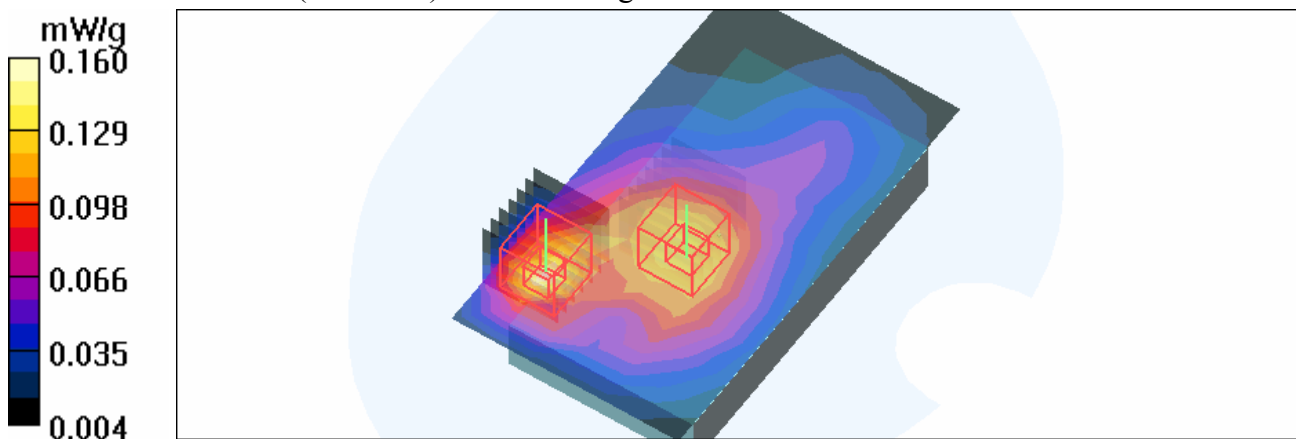
DUT: Pocket PC Phone ; Type: SEDN100 ; Test Frequency: 1880 MHz

Communication System: PCS 1900 ; Frequency: 1880 MHz ; Duty Cycle: 1:8.3
 Medium: MSL1900 Medium parameters used: $f = 1880 \text{ MHz}$; $\sigma = 1.51 \text{ mho/m}$; $\epsilon_r = 54.8$; $\rho = 1000 \text{ kg/m}^3$; Liquid Level : 155 mm
 Phantom section: Flat Section ; DUT test position : Body ; Modulation Type: GMSK
 Separation Distance : 15 mm (The bottom side of the EUT to the Phantom)
 Antenna Type : monopole Antenna ; Air Temp. : 23.5 degrees ; Liquid Temp. : 22.7 degrees
 DASY4 Configuration:
 - Probe: ET3DV6 - SN1790 ; ConvF(4.58, 4.58, 4.58) ; Calibrated: 2007/11/20
 - Sensor-Surface: 4mm (Mechanical Surface Detection)
 - Electronics: DAE3 Sn510 ; Calibrated: 2007/8/29
 - Phantom: SAM 12 ; Type: SAM V4.0; Serial: TP 1202
 - Measurement SW: DASY4, V4.7 Build 53 ; Postprocessing SW: SEMCAD, V1.8 Build 172

Mid Channel 661/Area Scan (7x12x1): Measurement grid: $dx=15\text{mm}$, $dy=15\text{mm}$
 Maximum value of SAR (measured) = 0.159 mW/g

Mid Channel 661/Zoom Scan (7x7x7) (7x7x7)/Cube 0: Measurement grid: $dx=5\text{mm}$, $dy=5\text{mm}$, $dz=5\text{mm}$
 Reference Value = 8.01 V/m
 Peak SAR (extrapolated) = 0.245 W/kg
SAR(1 g) = 0.146 mW/g; SAR(10 g) = 0.085 mW/g
 Maximum value of SAR (measured) = 0.160 mW/g

Mid Channel 661/Zoom Scan (7x7x7) (7x7x7)/Cube 1: Measurement grid: $dx=5\text{mm}$, $dy=5\text{mm}$, $dz=5\text{mm}$
 Reference Value = 8.01 V/m
 Peak SAR (extrapolated) = 0.186 W/kg
SAR(1 g) = 0.124 mW/g; SAR(10 g) = 0.083 mW/g
 Maximum value of SAR (measured) = 0.132 mW/g



Test Laboratory: Advance Data Technology

M39-Body-PCS1900-Ch661

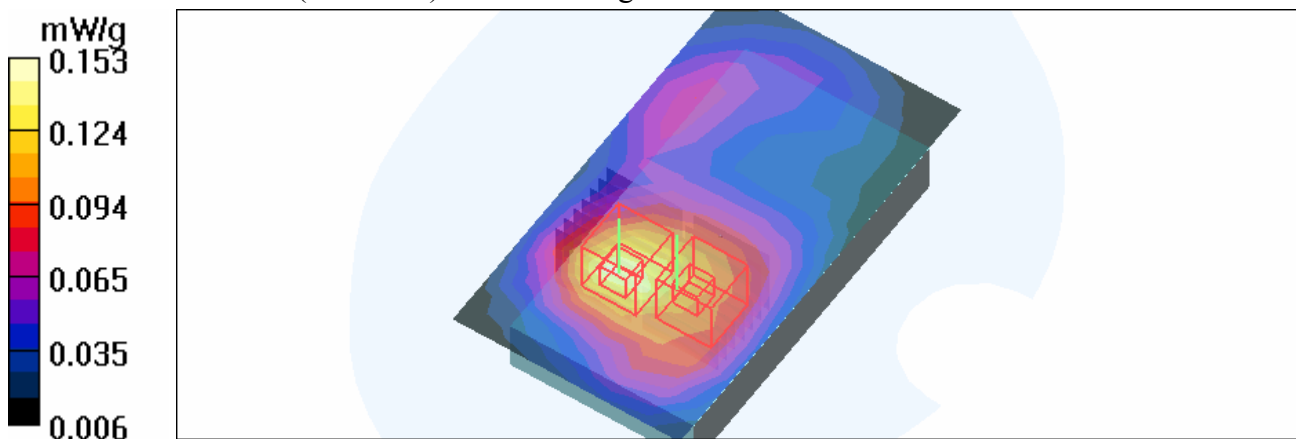
DUT: Pocket PC Phone ; Type: SEDN100 ; Test Frequency: 1880 MHz

Communication System: PCS 1900 ; Frequency: 1880 MHz ; Duty Cycle: 1:8.3
 Medium: MSL1900 Medium parameters used: $f = 1880 \text{ MHz}$; $\sigma = 1.51 \text{ mho/m}$; $\epsilon_r = 54.8$; $\rho = 1000 \text{ kg/m}^3$; Liquid Level : 155 mm
 Phantom section: Flat Section ; DUT test position : Body ; Modulation Type: GMSK
 Separation Distance : 15 mm (The front side of the EUT to the Phantom)
 Antenna Type : monopole Antenna ; Air Temp. : 23.5 degrees ; Liquid Temp. : 22.7 degrees
 DASY4 Configuration:
 - Probe: ET3DV6 - SN1790 ; ConvF(4.58, 4.58, 4.58) ; Calibrated: 2007/11/20
 - Sensor-Surface: 4mm (Mechanical Surface Detection)
 - Electronics: DAE3 Sn510 ; Calibrated: 2007/8/29
 - Phantom: SAM 12 ; Type: SAM V4.0; Serial: TP 1202
 - Measurement SW: DASY4, V4.7 Build 53 ; Postprocessing SW: SEMCAD, V1.8 Build 172

Mid Channel 661/Area Scan (7x12x1): Measurement grid: $dx=15\text{mm}$, $dy=15\text{mm}$
 Maximum value of SAR (measured) = 0.147 mW/g

Mid Channel 661/Zoom Scan (7x7x7) (7x7x7)/Cube 0: Measurement grid: $dx=5\text{mm}$, $dy=5\text{mm}$, $dz=5\text{mm}$
 Reference Value = 6.53 V/m
 Peak SAR (extrapolated) = 0.222 W/kg
SAR(1 g) = 0.143 mW/g; SAR(10 g) = 0.091 mW/g
 Maximum value of SAR (measured) = 0.153 mW/g

Mid Channel 661/Zoom Scan (7x7x7) (7x7x7)/Cube 1: Measurement grid: $dx=5\text{mm}$, $dy=5\text{mm}$, $dz=5\text{mm}$
 Reference Value = 6.53 V/m
 Peak SAR (extrapolated) = 0.169 W/kg
SAR(1 g) = 0.109 mW/g; SAR(10 g) = 0.069 mW/g
 Maximum value of SAR (measured) = 0.122 mW/g



Test Laboratory: Advance Data Technology

M40-Right Head-Cheek-WCDMA1900-Ch9262

DUT: Pocket PC Phone ; Type: SEDN100 ; Test Frequency: 1852.4 MHz

Communication System: WCDMA1900 ; Frequency: 1852.4 MHz ; Duty Cycle: 1:1
 Medium: HSL1900 Medium parameters used: $f = 1852.4 \text{ MHz}$; $\sigma = 1.37 \text{ mho/m}$; $\epsilon_r = 41.2$; $\rho = 1000 \text{ kg/m}^3$; Liquid level: 152 mm
 Phantom section: Right Section ; DUT test position : Cheek ; Modulation type: BPSK
 Antenna type : monopole Antenna ; Air temp. : 23.6 degrees ; Liquid temp. : 22.3 degrees

DASY4 Configuration:

- Probe: ET3DV6 - SN1790 ; ConvF(5.1, 5.1, 5.1) ; Calibrated: 2007/11/20
- Sensor-Surface: 4mm (Mechanical Surface Detection)
- Electronics: DAE3 Sn510; Calibrated: 2007/8/29
- Phantom: SAM 12; Type: SAM V4.0; Serial: TP 1202
- Measurement SW: DASY4, V4.7 Build 53; Postprocessing SW: SEMCAD, V1.8 Build 172

Touch position - Low Channel 9262/Area Scan (7x11x1): Measurement grid: $dx=15\text{mm}$, $dy=15\text{mm}$

Maximum value of SAR (measured) = 1.50 mW/g

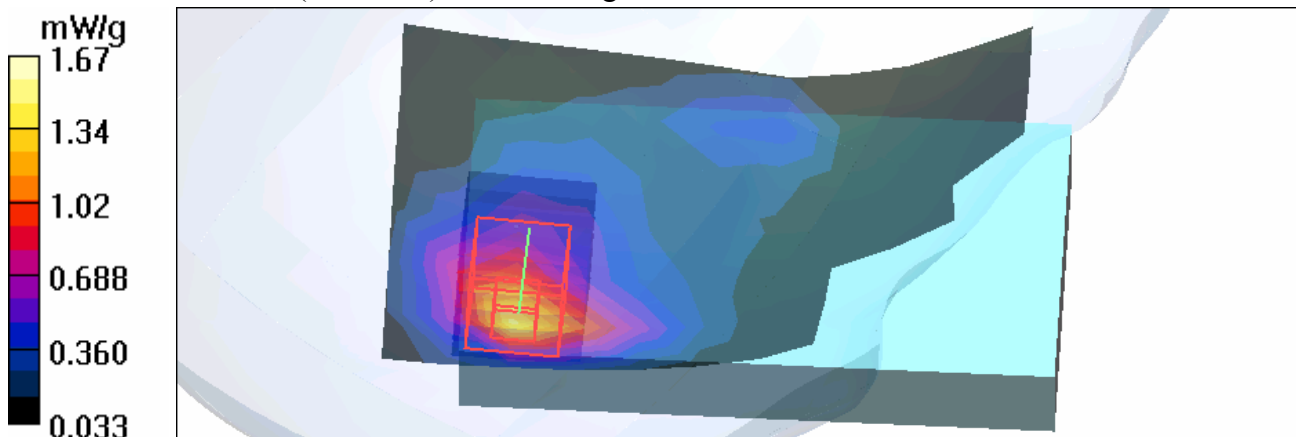
Touch position - Low Channel 9262/Zoom Scan (7x7x7) (7x7x7)/Cube 0: Measurement grid: $dx=5\text{mm}$, $dy=5\text{mm}$, $dz=5\text{mm}$

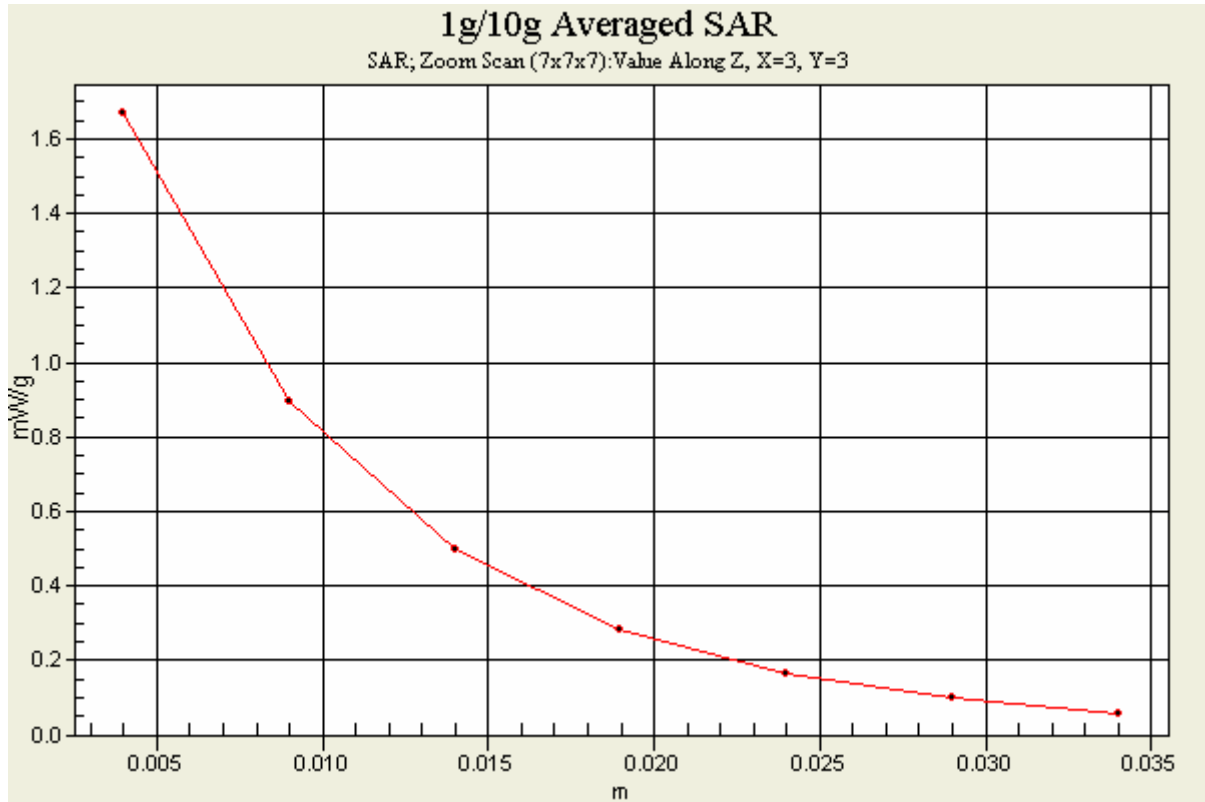
Reference Value = 22.3 V/m

Peak SAR (extrapolated) = 2.83 W/kg

SAR(1 g) = 1.47 mW/g; SAR(10 g) = 0.762 mW/g

Maximum value of SAR (measured) = 1.67 mW/g





Test Laboratory: Advance Data Technology

M40-Right Head-Cheek-WCDMA1900-Ch9400

DUT: Pocket PC Phone ; Type: SEDN100 ; Test Frequency: 1880 MHz

Communication System: WCDMA1900 ; Frequency: 1880 MHz ; Duty Cycle: 1:1

Medium: HSL1900 Medium parameters used: $f = 1880 \text{ MHz}$; $\sigma = 1.41 \text{ mho/m}$; $\epsilon_r = 41.2$; $\rho = 1000 \text{ kg/m}^3$;
Liquid level: 152 mm

Phantom section: Right Section ; DUT test position : Cheek ; Modulation type: BPSK

Antenna type : monopole Antenna ; Air temp. : 23.6 degrees ; Liquid temp. : 22.3 degrees

DASY4 Configuration:

- Probe: ET3DV6 - SN1790 ; ConvF(5.1, 5.1, 5.1) ; Calibrated: 2007/11/20
- Sensor-Surface: 4mm (Mechanical Surface Detection)
- Electronics: DAE3 Sn510; Calibrated: 2007/8/29
- Phantom: SAM 12; Type: SAM V4.0; Serial: TP 1202
- Measurement SW: DASY4, V4.7 Build 53; Postprocessing SW: SEMCAD, V1.8 Build 172

Touch position - Mid Channel 9400/Area Scan (7x11x1): Measurement grid: $dx=15\text{mm}$, $dy=15\text{mm}$

Maximum value of SAR (measured) = 1.14 mW/g

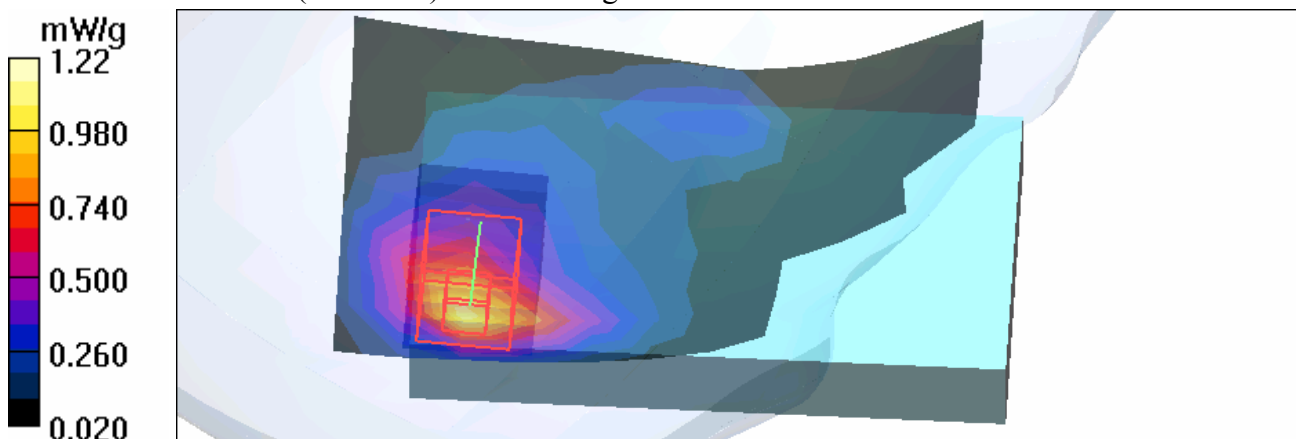
Touch position - Mid Channel 9400/Zoom Scan (7x7x7) (7x7x7)/Cube 0: Measurement grid: $dx=5\text{mm}$, $dy=5\text{mm}$, $dz=5\text{mm}$

Reference Value = 17.9 V/m

Peak SAR (extrapolated) = 2.12 W/kg

SAR(1 g) = 1.08 mW/g; SAR(10 g) = 0.548 mW/g

Maximum value of SAR (measured) = 1.22 mW/g



Test Laboratory: Advance Data Technology

M40-Right Head-Cheek-WCDMA1900-Ch9538

DUT: Pocket PC Phone ; Type: SEDN100 ; Test Frequency: 1907.6 MHz

Communication System: WCDMA1900 ; Frequency: 1907.6 MHz ; Duty Cycle: 1:1
 Medium: HSL1900 Medium parameters used: $f = 1907.6 \text{ MHz}$; $\sigma = 1.45 \text{ mho/m}$; $\epsilon_r = 41.1$; $\rho = 1000 \text{ kg/m}^3$; Liquid level: 152 mm
 Phantom section: Right Section ; DUT test position : Cheek ; Modulation type: BPSK
 Antenna type : monopole Antenna ; Air temp. : 23.6 degrees ; Liquid temp. : 22.3 degrees

DASY4 Configuration:

- Probe: ET3DV6 - SN1790 ; ConvF(5.1, 5.1, 5.1) ; Calibrated: 2007/11/20
- Sensor-Surface: 4mm (Mechanical Surface Detection)
- Electronics: DAE3 Sn510; Calibrated: 2007/8/29
- Phantom: SAM 12; Type: SAM V4.0; Serial: TP 1202
- Measurement SW: DASY4, V4.7 Build 53; Postprocessing SW: SEMCAD, V1.8 Build 172

Touch position - High Channel 9538/Area Scan (7x11x1): Measurement grid: $dx=15\text{mm}$, $dy=15\text{mm}$

Maximum value of SAR (measured) = 1.18 mW/g

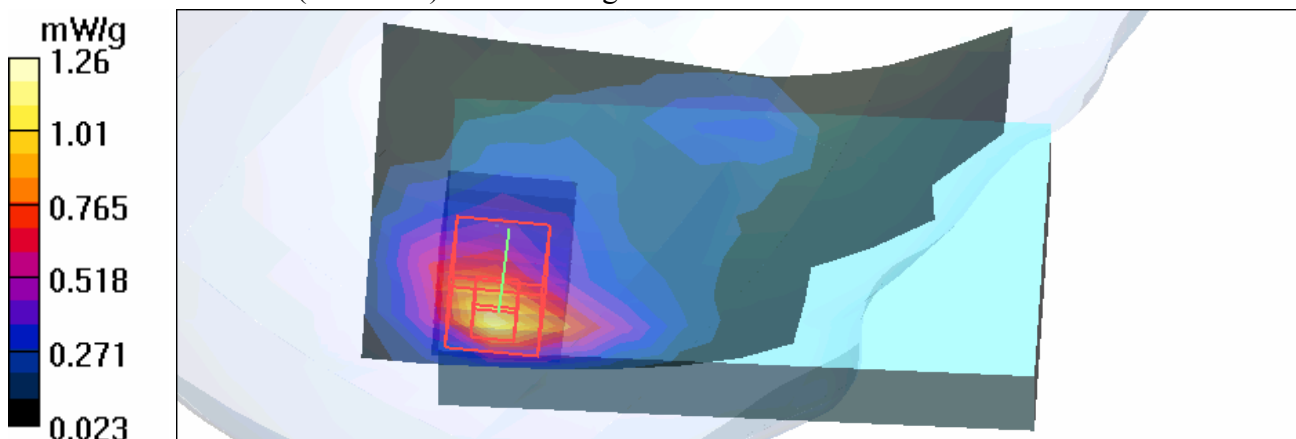
Touch position - High Channel 9538/Zoom Scan (7x7x7) (7x7x7)/Cube 0: Measurement grid: $dx=5\text{mm}$, $dy=5\text{mm}$, $dz=5\text{mm}$

Reference Value = 18.4 V/m

Peak SAR (extrapolated) = 2.21 W/kg

SAR(1 g) = 1.12 mW/g; SAR(10 g) = 0.573 mW/g

Maximum value of SAR (measured) = 1.26 mW/g



Test Laboratory: Advance Data Technology

M41-Right Head-Tilt-WCDMA1900-Ch9262

DUT: Pocket PC Phone ; Type: SEDN100 ; Test Frequency: 1852.4 MHz

Communication System: WCDMA1900 ; Frequency: 1852.4 MHz; Duty Cycle: 1:1
Medium: HSL1900 Medium parameters used: $f = 1852.4$ MHz; $\sigma = 1.37$ mho/m; $\epsilon_r = 41.2$; $\rho = 1000$ kg/m³ ; Liquid level: 152 mm
Phantom section: Right Section ; DUT test position : Tilt ; Modulation type: BPSK
Antenna type : monopole Antenna ; Air temp. : 23.6 degrees ; Liquid temp. : 22.3 degrees

DASY4 Configuration:

- Probe: ET3DV6 - SN1790 ; ConvF(5.1, 5.1, 5.1) ; Calibrated: 2007/11/20
- Sensor-Surface: 4mm (Mechanical Surface Detection)
- Electronics: DAE3 Sn510; Calibrated: 2007/8/29
- Phantom: SAM 12; Type: SAM V4.0; Serial: TP 1202
- Measurement SW: DASY4, V4.7 Build 53; Postprocessing SW: SEMCAD, V1.8 Build 172

Tilt position - Low Channel 9262/Area Scan (7x11x1): Measurement grid: dx=15mm, dy=15mm

Maximum value of SAR (measured) = 1.18 mW/g

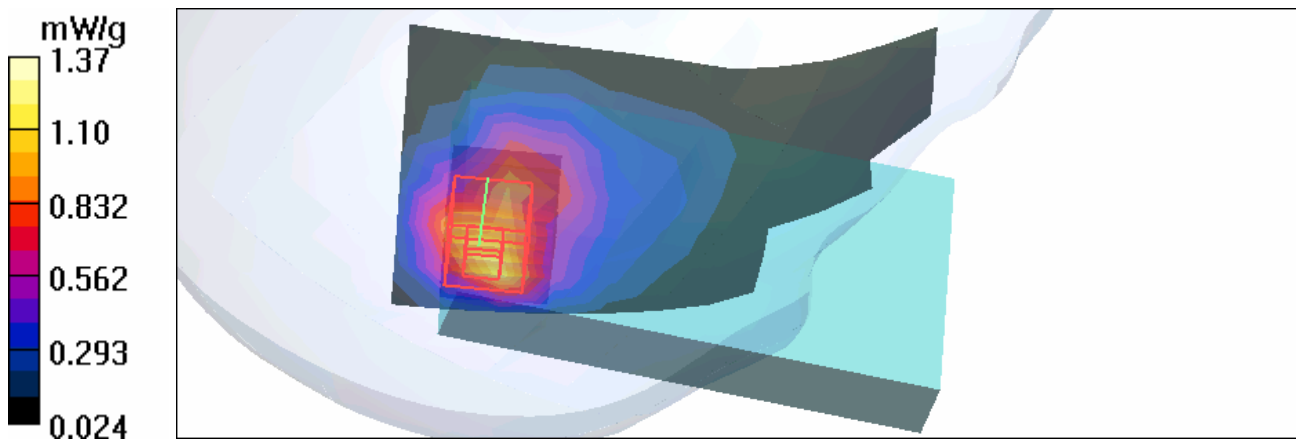
Tilt position - Low Channel 9262/Zoom Scan (7x7x7) (7x7x7)/Cube 0: Measurement grid: dx=5mm, dy=5mm, dz=5mm

Reference Value = 27.3 V/m

Peak SAR (extrapolated) = 2.35 W/kg

SAR(1 g) = 1.25 mW/g; SAR(10 g) = 0.671 mW/g

Maximum value of SAR (measured) = 1.37 mW/g



Test Laboratory: Advance Data Technology

M41-Right Head-Tilt-WCDMA1900-Ch9400

DUT: Pocket PC Phone ; Type: SEDN100 ; Test Frequency: 1880 MHz

Communication System: WCDMA1900 ; Frequency: 1880 MHz; Duty Cycle: 1:1
Medium: HSL1900 Medium parameters used: $f = 1880$ MHz; $\sigma = 1.41$ mho/m; $\epsilon_r = 41.2$; $\rho = 1000$ kg/m³ ;
Liquid level: 152 mm
Phantom section: Right Section ; DUT test position : Tilt ; Modulation type: BPSK
Antenna type : monopole Antenna ; Air temp. : 23.6 degrees ; Liquid temp. : 22.3 degrees

DASY4 Configuration:

- Probe: ET3DV6 - SN1790 ; ConvF(5.1, 5.1, 5.1) ; Calibrated: 2007/11/20
- Sensor-Surface: 4mm (Mechanical Surface Detection)
- Electronics: DAE3 Sn510; Calibrated: 2007/8/29
- Phantom: SAM 12; Type: SAM V4.0; Serial: TP 1202
- Measurement SW: DASY4, V4.7 Build 53; Postprocessing SW: SEMCAD, V1.8 Build 172

Tilt position - Mid Channel 9400/Area Scan (7x11x1): Measurement grid: dx=15mm, dy=15mm

Maximum value of SAR (measured) = 0.823 mW/g

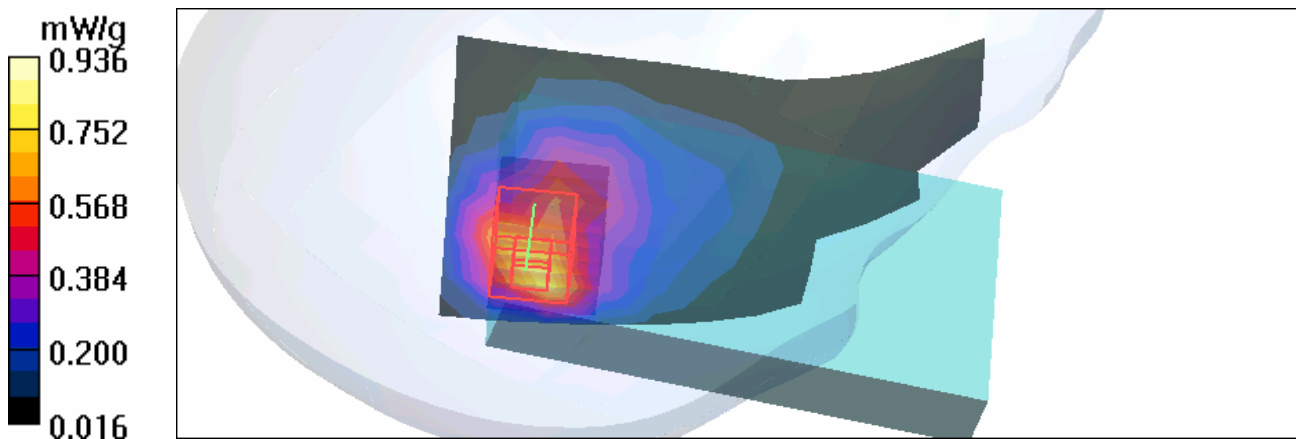
Tilt position - Mid Channel 9400/Zoom Scan (7x7x7) (7x7x7)/Cube 0: Measurement grid: dx=5mm, dy=5mm, dz=5mm

Reference Value = 21.3 V/m

Peak SAR (extrapolated) = 1.63 W/kg

SAR(1 g) = 0.852 mW/g; SAR(10 g) = 0.450 mW/g

Maximum value of SAR (measured) = 0.936 mW/g



Test Laboratory: Advance Data Technology

M41-Right Head-Tilt-WCDMA1900-Ch9538

DUT: Pocket PC Phone ; Type: SEDN100 ; Test Frequency: 1907.6 MHz

Communication System: WCDMA1900 ; Frequency: 1907.6 MHz; Duty Cycle: 1:1
 Medium: HSL1900 Medium parameters used: $f = 1907.6$ MHz; $\sigma = 1.45$ mho/m; $\epsilon_r = 41.1$; $\rho = 1000$ kg/m³ ; Liquid level: 152 mm
 Phantom section: Right Section ; DUT test position : Tilt ; Modulation type: BPSK
 Antenna type : monopole Antenna ; Air temp. : 23.6 degrees ; Liquid temp. : 22.3 degrees

DASY4 Configuration:

- Probe: ET3DV6 - SN1790 ; ConvF(5.1, 5.1, 5.1) ; Calibrated: 2007/11/20
- Sensor-Surface: 4mm (Mechanical Surface Detection)
- Electronics: DAE3 Sn510; Calibrated: 2007/8/29
- Phantom: SAM 12; Type: SAM V4.0; Serial: TP 1202
- Measurement SW: DASY4, V4.7 Build 53; Postprocessing SW: SEMCAD, V1.8 Build 172

Tilt position - High Channel 9538/Area Scan (7x11x1): Measurement grid: dx=15mm, dy=15mm

Maximum value of SAR (measured) = 0.922 mW/g

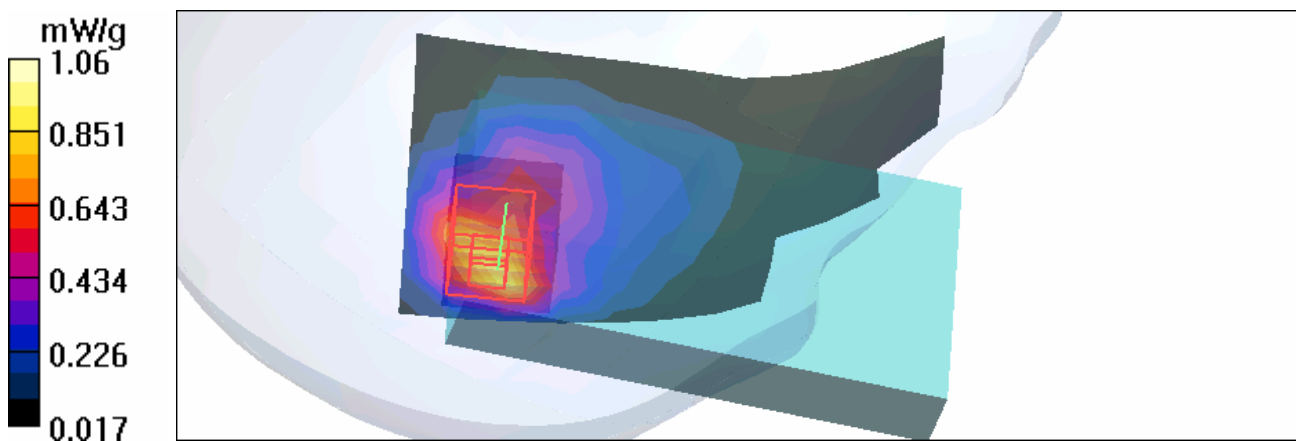
Tilt position - High Channel 9538/Zoom Scan (7x7x7) (7x7x7)/Cube 0: Measurement grid: dx=5mm, dy=5mm, dz=5mm

Reference Value = 21.6 V/m

Peak SAR (extrapolated) = 1.87 W/kg

SAR(1 g) = 0.968 mW/g; SAR(10 g) = 0.507 mW/g

Maximum value of SAR (measured) = 1.06 mW/g



Test Laboratory: Advance Data Technology

M42-Left Head-Cheek-WCDMA1900-Ch9262

DUT: Pocket PC Phone ; Type: SEDN100 ; Test Frequency: 1852.4 MHz

Communication System: WCDMA1900 ; Frequency: 1852.4 MHz ; Duty Cycle: 1:1
 Medium: HSL1900 Medium parameters used: $f = 1852.4 \text{ MHz}$; $\sigma = 1.37 \text{ mho/m}$; $\epsilon_r = 41.2$; $\rho = 1000 \text{ kg/m}^3$; Liquid level: 152 mm
 Phantom section: Left Section ; DUT test position : Cheek ; Modulation type: BPSK
 Antenna type : monopole Antenna ; Air temp. : 23.6 degrees ; Liquid temp. : 22.3 degrees

DASY4 Configuration:

- Probe: ET3DV6 - SN1790 ; ConvF(5.1, 5.1, 5.1) ; Calibrated: 2007/11/20
- Sensor-Surface: 4mm (Mechanical Surface Detection)
- Electronics: DAE3 Sn510; Calibrated: 2007/8/29
- Phantom: SAM 12; Type: SAM V4.0; Serial: TP 1202
- Measurement SW: DASY4, V4.7 Build 53; Postprocessing SW: SEMCAD, V1.8 Build 172

Touch position - Low Channel 9262/Area Scan (7x11x1): Measurement grid: $dx=15\text{mm}$, $dy=15\text{mm}$

Maximum value of SAR (measured) = 0.976 mW/g

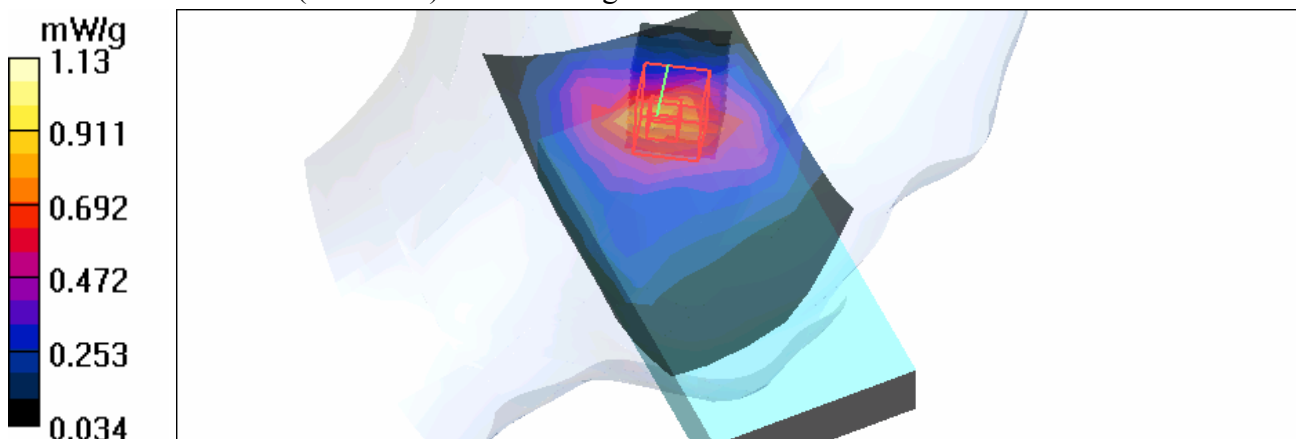
Touch position - Low Channel 9262/Zoom Scan (7x7x7) (7x7x7)/Cube 0: Measurement grid: $dx=5\text{mm}$, $dy=5\text{mm}$, $dz=5\text{mm}$

Reference Value = 28.4 V/m

Peak SAR (extrapolated) = 1.71 W/kg

SAR(1 g) = 1.03 mW/g; SAR(10 g) = 0.601 mW/g

Maximum value of SAR (measured) = 1.13 mW/g



Test Laboratory: Advance Data Technology

M42-Left Head-Cheek-WCDMA1900-Ch9400

DUT: Pocket PC Phone ; Type: SEDN100 ; Test Frequency: 1880 MHz

Communication System: WCDMA1900 ; Frequency: 1880 MHz ; Duty Cycle: 1:1

Medium: HSL1900 Medium parameters used: $f = 1880 \text{ MHz}$; $\sigma = 1.41 \text{ mho/m}$; $\epsilon_r = 41.2$; $\rho = 1000 \text{ kg/m}^3$;
Liquid level: 152 mm

Phantom section: Left Section ; DUT test position : Cheek ; Modulation type: BPSK

Antenna type : monopole Antenna ; Air temp. : 23.6 degrees ; Liquid temp. : 22.3 degrees

DASY4 Configuration:

- Probe: ET3DV6 - SN1790 ; ConvF(5.1, 5.1, 5.1) ; Calibrated: 2007/11/20

- Sensor-Surface: 4mm (Mechanical Surface Detection)

- Electronics: DAE3 Sn510; Calibrated: 2007/8/29

- Phantom: SAM 12; Type: SAM V4.0; Serial: TP 1202

- Measurement SW: DASY4, V4.7 Build 53; Postprocessing SW: SEMCAD, V1.8 Build 172

Touch position - Mid Channel 9400/Area Scan (7x11x1): Measurement grid: $dx=15\text{mm}$,
 $dy=15\text{mm}$

Maximum value of SAR (measured) = 0.661 mW/g

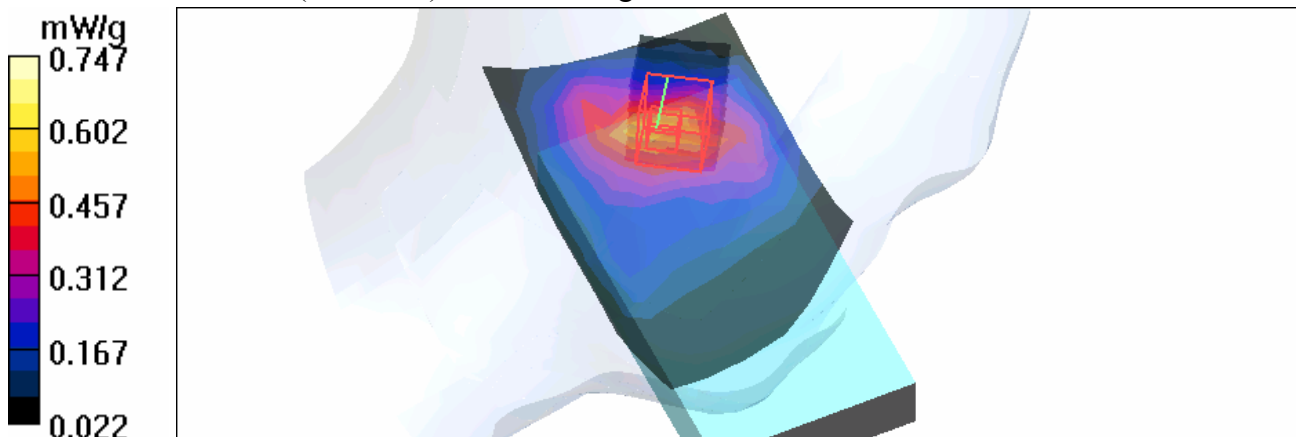
Touch position - Mid Channel 9400/Zoom Scan (7x7x7) (7x7x7)/Cube 0: Measurement grid:
 $dx=5\text{mm}$, $dy=5\text{mm}$, $dz=5\text{mm}$

Reference Value = 23.1 V/m

Peak SAR (extrapolated) = 1.15 W/kg

SAR(1 g) = 0.673 mW/g; SAR(10 g) = 0.389 mW/g

Maximum value of SAR (measured) = 0.747 mW/g



Test Laboratory: Advance Data Technology

M42-Left Head-Cheek-WCDMA1900-Ch9538

DUT: Pocket PC Phone ; Type: SEDN100 ; Test Frequency: 1907.6 MHz

Communication System: WCDMA1900 ; Frequency: 1907.6 MHz ; Duty Cycle: 1:1
 Medium: HSL1900 Medium parameters used: $f = 1907.6$ MHz; $\sigma = 1.45$ mho/m; $\epsilon_r = 41.1$; $\rho = 1000$ kg/m³ ; Liquid level: 152 mm
 Phantom section: Left Section ; DUT test position : Cheek ; Modulation type: BPSK
 Antenna type : monopole Antenna ; Air temp. : 23.6 degrees ; Liquid temp. : 22.3 degrees

DASY4 Configuration:

- Probe: ET3DV6 - SN1790 ; ConvF(5.1, 5.1, 5.1) ; Calibrated: 2007/11/20
- Sensor-Surface: 4mm (Mechanical Surface Detection)
- Electronics: DAE3 Sn510; Calibrated: 2007/8/29
- Phantom: SAM 12; Type: SAM V4.0; Serial: TP 1202
- Measurement SW: DASY4, V4.7 Build 53; Postprocessing SW: SEMCAD, V1.8 Build 172

Touch position - High Channel 9538/Area Scan (7x11x1): Measurement grid: dx=15mm, dy=15mm

Maximum value of SAR (measured) = 0.710 mW/g

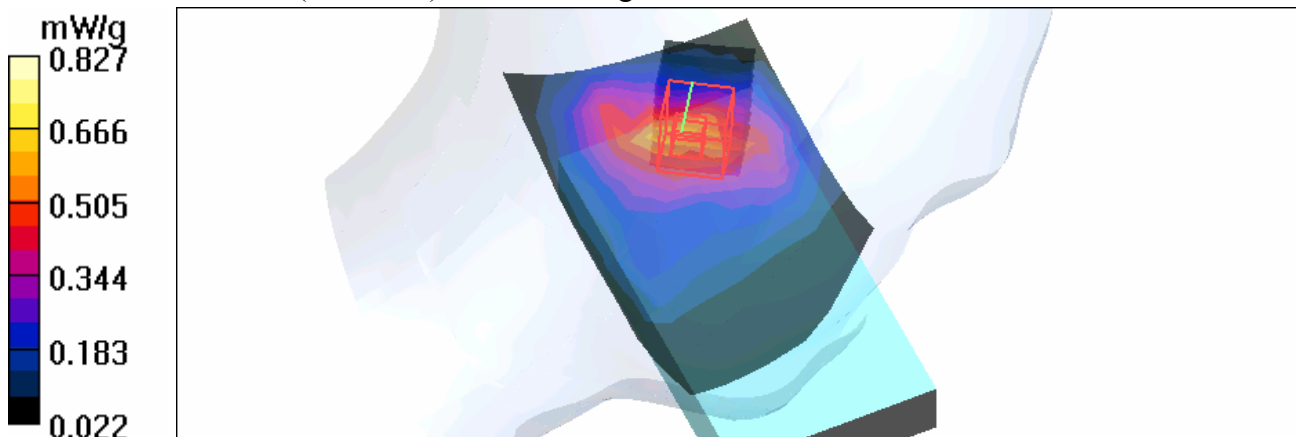
Touch position - High Channel 9538/Zoom Scan (7x7x7) (7x7x7)/Cube 0: Measurement grid: dx=5mm, dy=5mm, dz=5mm

Reference Value = 24.2 V/m

Peak SAR (extrapolated) = 1.30 W/kg

SAR(1 g) = 0.748 mW/g; SAR(10 g) = 0.427 mW/g

Maximum value of SAR (measured) = 0.827 mW/g



Test Laboratory: Advance Data Technology

M43-Left Head-Tilt-WCDMA1900-Ch9262

DUT: Pocket PC Phone ; Type: SEDN100 ; Test Frequency: 1852.4 MHz

Communication System: WCDMA1900 ; Frequency: 1852.4 MHz; Duty Cycle: 1:1
Medium: HSL1900 Medium parameters used: $f = 1852.4$ MHz; $\sigma = 1.37$ mho/m; $\epsilon_r = 41.2$; $\rho = 1000$ kg/m³ ; Liquid level: 152 mm
Phantom section: Left Section ; DUT test position : Tilt ; Modulation type: BPSK
Antenna type : monopole Antenna ; Air temp. : 23.6 degrees ; Liquid temp. : 22.3 degrees

DASY4 Configuration:

- Probe: ET3DV6 - SN1790 ; ConvF(5.1, 5.1, 5.1) ; Calibrated: 2007/11/20
- Sensor-Surface: 4mm (Mechanical Surface Detection)
- Electronics: DAE3 Sn510; Calibrated: 2007/8/29
- Phantom: SAM 12; Type: SAM V4.0; Serial: TP 1202
- Measurement SW: DASY4, V4.7 Build 53; Postprocessing SW: SEMCAD, V1.8 Build 172

Tilt position - Low Channel 9262/Area Scan (7x11x1): Measurement grid: dx=15mm, dy=15mm

Maximum value of SAR (measured) = 1.02 mW/g

Tilt position - Low Channel 9262/Zoom Scan (7x7x7) (7x7x7)/Cube 0: Measurement grid:

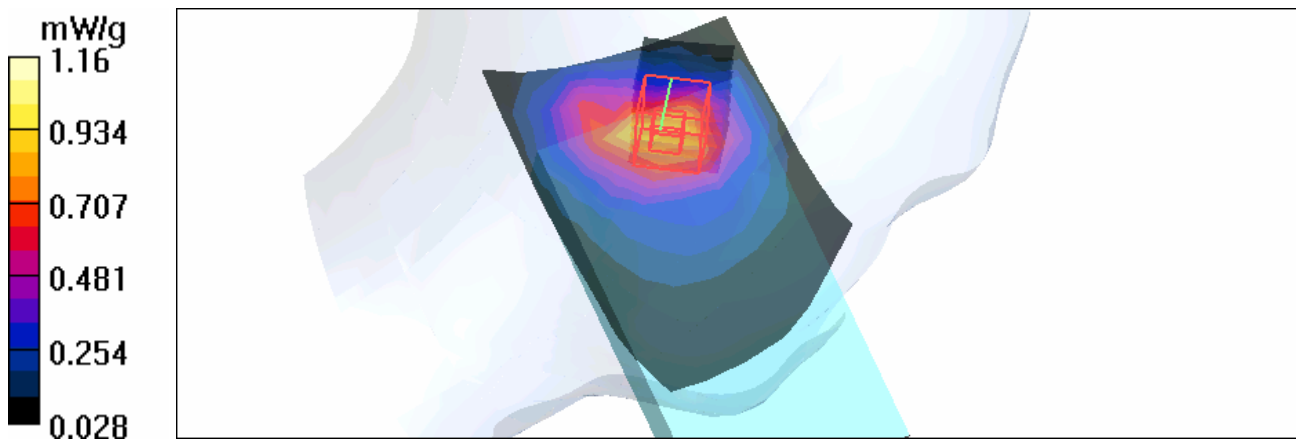
dx=5mm, dy=5mm, dz=5mm

Reference Value = 29.7 V/m

Peak SAR (extrapolated) = 1.73 W/kg

SAR(1 g) = 1.06 mW/g; SAR(10 g) = 0.624 mW/g

Maximum value of SAR (measured) = 1.16 mW/g



Test Laboratory: Advance Data Technology

M43-Left Head-Tilt-WCDMA1900-Ch9400

DUT: Pocket PC Phone ; Type: SEDN100 ; Test Frequency: 1880 MHz

Communication System: WCDMA1900 ; Frequency: 1880 MHz; Duty Cycle: 1:1

Medium: HSL1900 Medium parameters used: $f = 1880 \text{ MHz}$; $\sigma = 1.41 \text{ mho/m}$; $\epsilon_r = 41.2$; $\rho = 1000 \text{ kg/m}^3$;

Liquid level: 152 mm

Phantom section: Left Section ; DUT test position : Tilt ; Modulation type: BPSK

Antenna type : monopole Antenna ; Air temp. : 23.6 degrees ; Liquid temp. : 22.3 degrees

DASY4 Configuration:

- Probe: ET3DV6 - SN1790 ; ConvF(5.1, 5.1, 5.1) ; Calibrated: 2007/11/20

- Sensor-Surface: 4mm (Mechanical Surface Detection)

- Electronics: DAE3 Sn510; Calibrated: 2007/8/29

- Phantom: SAM 12; Type: SAM V4.0; Serial: TP 1202

- Measurement SW: DASY4, V4.7 Build 53; Postprocessing SW: SEMCAD, V1.8 Build 172

Tilt position - Mid Channel 9400/Area Scan (7x11x1): Measurement grid: $dx=15\text{mm}$, $dy=15\text{mm}$

Maximum value of SAR (measured) = 0.662 mW/g

Tilt position - Mid Channel 9400/Zoom Scan (7x7x7) (7x7x7)/Cube 0: Measurement grid:

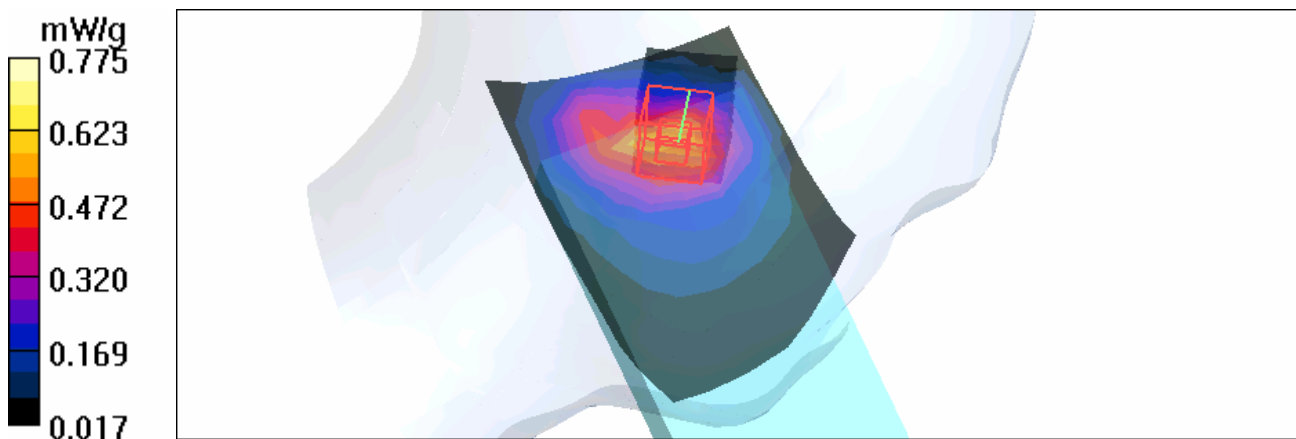
$dx=5\text{mm}$, $dy=5\text{mm}$, $dz=5\text{mm}$

Reference Value = 23.7 V/m

Peak SAR (extrapolated) = 1.16 W/kg

SAR(1 g) = 0.705 mW/g; SAR(10 g) = 0.409 mW/g

Maximum value of SAR (measured) = 0.775 mW/g



Test Laboratory: Advance Data Technology

M43-Left Head-Tilt-WCDMA1900-Ch9538

DUT: Pocket PC Phone ; Type: SEDN100 ; Test Frequency: 1907.6 MHz

Communication System: WCDMA1900 ; Frequency: 1907.6 MHz; Duty Cycle: 1:1

Medium: HSL1900 Medium parameters used: $f = 1907.6$ MHz; $\sigma = 1.45$ mho/m; $\epsilon_r = 41.1$; $\rho = 1000$ kg/m³ ; Liquid level: 152 mm

Phantom section: Left Section ; DUT test position : Tilt ; Modulation type: BPSK

Antenna type : monopole Antenna ; Air temp. : 23.6 degrees ; Liquid temp. : 22.3 degrees

DASY4 Configuration:

- Probe: ET3DV6 - SN1790 ; ConvF(5.1, 5.1, 5.1) ; Calibrated: 2007/11/20

- Sensor-Surface: 4mm (Mechanical Surface Detection)

- Electronics: DAE3 Sn510; Calibrated: 2007/8/29

- Phantom: SAM 12; Type: SAM V4.0; Serial: TP 1202

- Measurement SW: DASY4, V4.7 Build 53; Postprocessing SW: SEMCAD, V1.8 Build 172

Tilt position - High Channel 9538/Area Scan (7x11x1): Measurement grid: dx=15mm, dy=15mm

Maximum value of SAR (measured) = 0.742 mW/g

Tilt position - High Channel 9538/Zoom Scan (7x7x7) (7x7x7)/Cube 0: Measurement grid:

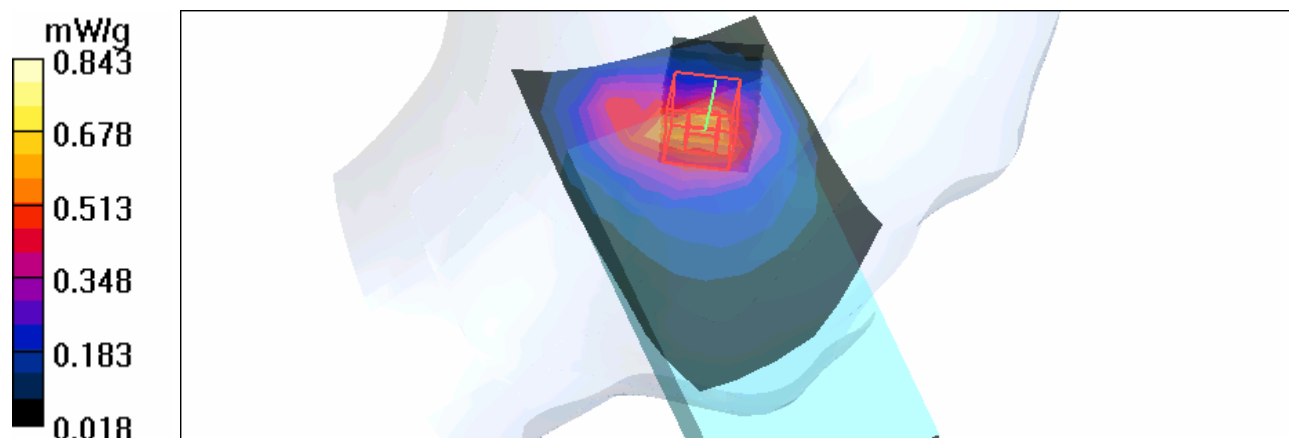
dx=5mm, dy=5mm, dz=5mm

Reference Value = 24.7 V/m

Peak SAR (extrapolated) = 1.27 W/kg

SAR(1 g) = 0.763 mW/g; SAR(10 g) = 0.441 mW/g

Maximum value of SAR (measured) = 0.843 mW/g



Test Laboratory: Advance Data Technology

M44-Body-WCDMA1900-Ch9400

DUT: Pocket PC Phone ; Type: SEDN100 ; Test Frequency: 1880 MHz

Communication System: WCDMA1900 ; Frequency: 1880 MHz ; Duty Cycle: 1:1

Medium: MSL1900 Medium parameters used : $f = 1880$ MHz; $\sigma = 1.51$ mho/m; $\epsilon_r = 54.8$; $\rho = 1000$ kg/m³ ; Liquid Level : 155 mm

Phantom section: Flat Section ; DUT test position : Body ; Modulation Type: BPSK

Separation Distance : 15 mm (The bottom side of the EUT to the Phantom)

Antenna Type : monopole Antenna ; Air Temp. : 23.5 degrees ; Liquid Temp. : 22.7 degrees

DASY4 Configuration:

- Probe: ET3DV6 - SN1790 ; ConvF(4.58, 4.58, 4.58) ; Calibrated: 2007/11/20

- Sensor-Surface: 4mm (Mechanical Surface Detection)

- Electronics: DAE3 Sn510 ; Calibrated: 2007/8/29

- Phantom: SAM 12 ; Type: SAM V4.0; Serial: TP 1202

- Measurement SW: DASY4, V4.7 Build 53 ; Postprocessing SW: SEMCAD, V1.8 Build 172

Mid Channel 9400/Area Scan (7x12x1): Measurement grid: dx=15mm, dy=15mm

Maximum value of SAR (measured) = 0.204 mW/g

Mid Channel 9400/Zoom Scan (7x7x7) (7x7x7)/Cube 0: Measurement grid: dx=5mm, dy=5mm, dz=5mm

Reference Value = 11.1 V/m

Peak SAR (extrapolated) = 0.324 W/kg

SAR(1 g) = 0.194 mW/g; SAR(10 g) = 0.129 mW/g

Maximum value of SAR (measured) = 0.210 mW/g

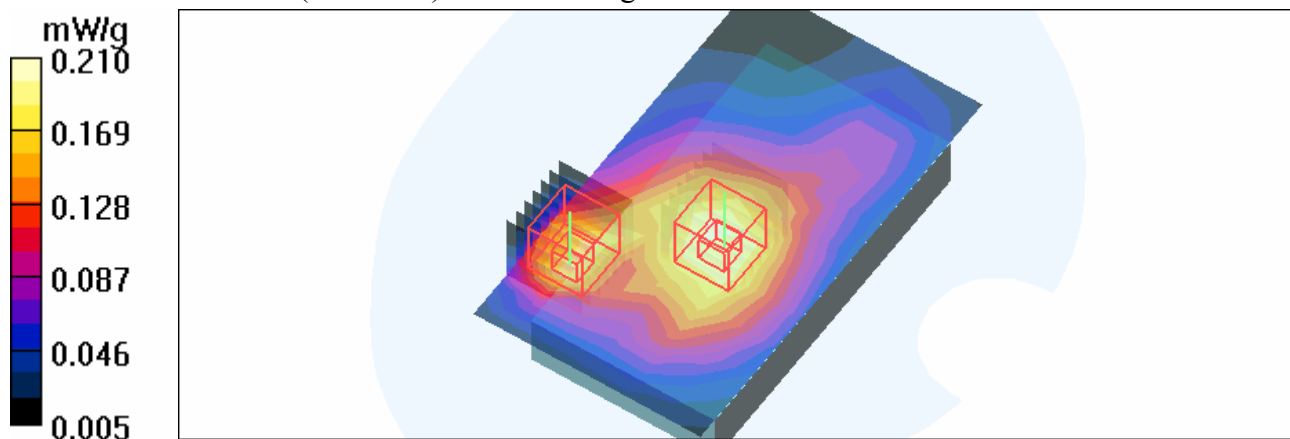
Mid Channel 9400/Zoom Scan (7x7x7) (7x7x7)/Cube 1: Measurement grid: dx=5mm, dy=5mm, dz=5mm

Reference Value = 11.1 V/m

Peak SAR (extrapolated) = 0.286 W/kg

SAR(1 g) = 0.194 mW/g; SAR(10 g) = 0.114 mW/g

Maximum value of SAR (measured) = 0.206 mW/g



Test Laboratory: Advance Data Technology

M45-Body-HSDPA1900-Ch9400

DUT: Pocket PC Phone ; Type: SEDN100 ; Test Frequency: 1880 MHz

Communication System: WCDMA1900 ; Frequency: 1880 MHz ; Duty Cycle: 1:1
 Medium: MSL1900 Medium parameters used : $f = 1880 \text{ MHz}$; $\sigma = 1.51 \text{ mho/m}$; $\epsilon_r = 54.8$; $\rho = 1000 \text{ kg/m}^3$; Liquid Level : 155 mm

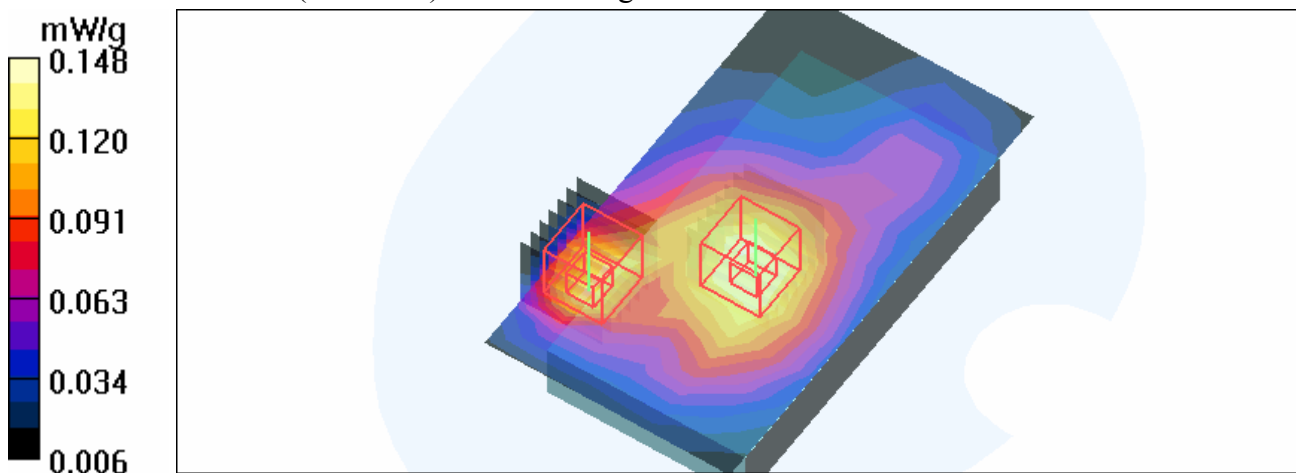
Phantom section: Flat Section ; DUT test position : Body ; Modulation Type: BPSK
 Separation Distance : 15 mm (The bottom side of the EUT to the Phantom)
 Antenna Type : monopole Antenna ; Air Temp. : 23.5 degrees ; Liquid Temp. : 22.7 degrees
 DASY4 Configuration:

- Probe: ET3DV6 - SN1790 ; ConvF(4.58, 4.58, 4.58) ; Calibrated: 2007/11/20
- Sensor-Surface: 4mm (Mechanical Surface Detection)
- Electronics: DAE3 Sn510 ; Calibrated: 2007/8/29
- Phantom: SAM 12 ; Type: SAM V4.0; Serial: TP 1202
- Measurement SW: DASY4, V4.7 Build 53 ; Postprocessing SW: SEMCAD, V1.8 Build 172

Mid Channel 9400/Area Scan (7x12x1): Measurement grid: $dx=15\text{mm}$, $dy=15\text{mm}$
 Maximum value of SAR (measured) = 0.141 mW/g

Mid Channel 9400/Zoom Scan (7x7x7) (7x7x7)/Cube 0: Measurement grid: $dx=5\text{mm}$, $dy=5\text{mm}$, $dz=5\text{mm}$
 Reference Value = 9.20 V/m
 Peak SAR (extrapolated) = 0.207 W/kg
SAR(1 g) = 0.138 mW/g; SAR(10 g) = 0.092 mW/g
 Maximum value of SAR (measured) = 0.148 mW/g

Mid Channel 9400/Zoom Scan (7x7x7) (7x7x7)/Cube 1: Measurement grid: $dx=5\text{mm}$, $dy=5\text{mm}$, $dz=5\text{mm}$
 Reference Value = 9.20 V/m
 Peak SAR (extrapolated) = 0.226 W/kg
SAR(1 g) = 0.136 mW/g; SAR(10 g) = 0.080 mW/g
 Maximum value of SAR (measured) = 0.146 mW/g



Test Laboratory: Advance Data Technology

M46-Body-WCDMA1900-Ch9400

DUT: Pocket PC Phone ; Type: SEDN100 ; Test Frequency: 1880 MHz

Communication System: WCDMA1900 ; Frequency: 1880 MHz ; Duty Cycle: 1:1
 Medium: MSL1900 Medium parameters used : $f = 1880 \text{ MHz}$; $\sigma = 1.51 \text{ mho/m}$; $\epsilon_r = 54.8$; $\rho = 1000 \text{ kg/m}^3$; Liquid Level : 155 mm

Phantom section: Flat Section ; DUT test position : Body ; Modulation Type: BPSK
 Separation Distance : 15 mm (The front side of the EUT to the Phantom)
 Antenna Type : monopole Antenna ; Air Temp. : 23.5 degrees ; Liquid Temp. : 22.7 degrees
 DASY4 Configuration:

- Probe: ET3DV6 - SN1790 ; ConvF(4.58, 4.58, 4.58) ; Calibrated: 2007/11/20
- Sensor-Surface: 4mm (Mechanical Surface Detection)
- Electronics: DAE3 Sn510 ; Calibrated: 2007/8/29
- Phantom: SAM 12 ; Type: SAM V4.0; Serial: TP 1202
- Measurement SW: DASY4, V4.7 Build 53 ; Postprocessing SW: SEMCAD, V1.8 Build 172

Mid Channel 9400/Area Scan (7x12x1): Measurement grid: $dx=15\text{mm}$, $dy=15\text{mm}$

Maximum value of SAR (measured) = 0.160 mW/g

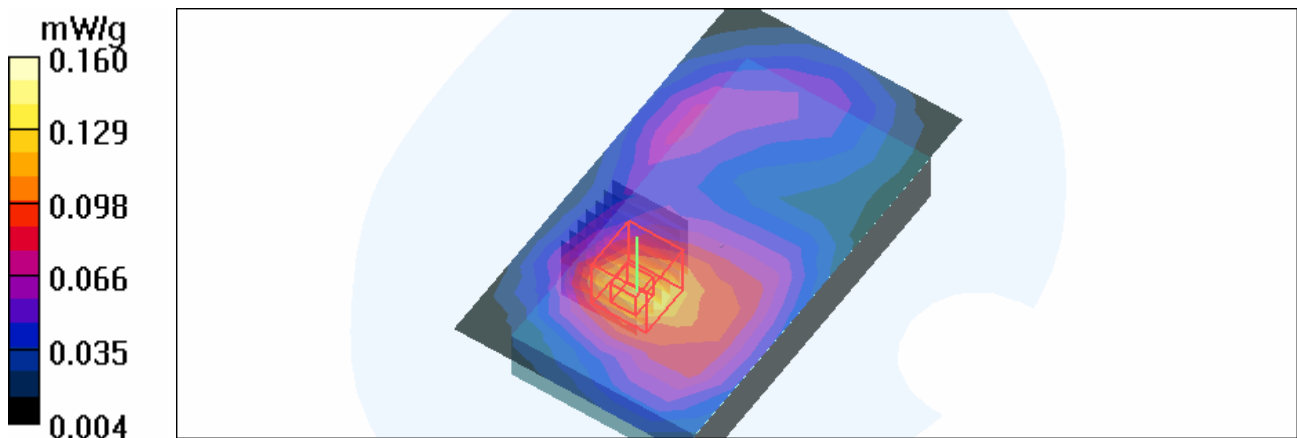
Mid Channel 9400/Zoom Scan (7x7x7) (7x7x7)/Cube 0: Measurement grid: $dx=5\text{mm}$, $dy=5\text{mm}$, $dz=5\text{mm}$

Reference Value = 8.66 V/m

Peak SAR (extrapolated) = 0.232 W/kg

SAR(1 g) = 0.149 mW/g; SAR(10 g) = 0.095 mW/g

Maximum value of SAR (measured) = 0.159 mW/g



Test Laboratory: Advance Data Technology

System Validation Check-HSL 835MHz

DUT: Dipole 850 MHz ; Type: D835V2 ; Serial: 4d021 ; Test Frequency: 835 MHz

Communication System: CW ; Frequency: 835 MHz; Duty Cycle: 1:1; Modulation type: CW
 Medium: HSL835;Medium parameters used: $f = 835 \text{ MHz}$; $\sigma = 0.95 \text{ mho/m}$; $\epsilon_r = 41.6$; $\rho = 1000 \text{ kg/m}^3$;
 Liquid level : 150 mm
 Phantom section: Flat Section ; Separation distance : 15 mm (The feetpoint of the dipole to the Phantom)Air temp. : 23.2 degrees ; Liquid temp. : 22.4 degrees

DASY4 Configuration:

- Probe: ET3DV6 - SN1790 ; ConvF(6.65, 6.65, 6.65) ; Calibrated: 2007/11/20
- Sensor-Surface: 4mm (Mechanical Surface Detection)
- Electronics: DAE3 Sn510; Calibrated: 2007/8/29
- Phantom: SAM 12; Type: SAM V4.0; Serial: TP 1202
- Measurement SW: DASY4, V4.7 Build 53; Postprocessing SW: SEMCAD, V1.8 Build 172

d=15mm, Pin=250mW/Area Scan (7x9x1): Measurement grid: dx=15mm, dy=15mm
 Maximum value of SAR (measured) = 2.19 mW/g

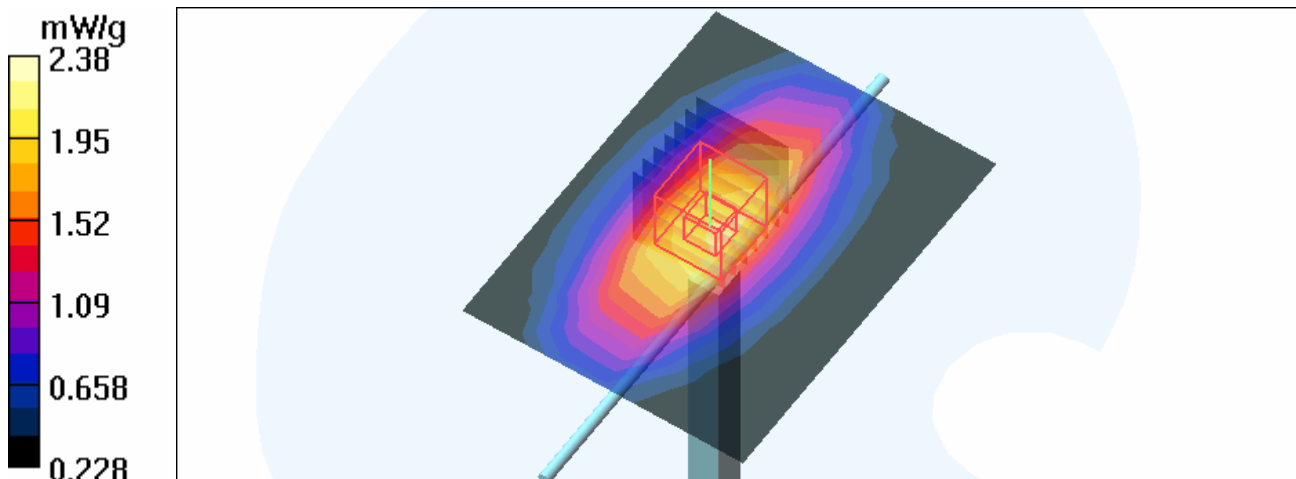
d=15mm, Pin=250mW/Zoom Scan (7x7x7) (7x7x7)/Cube 0: Measurement grid: dx=5mm, dy=5mm, dz=5mm

Reference Value = 53.8 V/m; Power Drift = -0.104 dB

Peak SAR (extrapolated) = 3.10 W/kg

SAR(1 g) = 2.19 mW/g; SAR(10 g) = 1.45 mW/g

Maximum value of SAR (measured) = 2.38 mW/g



Test Laboratory: Advance Data Technology

System Validation Check-MSL 835MHz

DUT: Dipole 850 MHz ; Type: D835V2 ; Serial: 4d021 ; Test Frequency: 835 MHz

Communication System: CW ; Frequency: 835 MHz; Duty Cycle: 1:1; Modulation type: CW
 Medium: MSL835; Medium parameters used: $f = 835 \text{ MHz}$; $\sigma = 1 \text{ mho/m}$; $\epsilon_r = 57.2$; $\rho = 1000 \text{ kg/m}^3$;
 Liquid level : 152 mm

Phantom section: Flat Section ; Separation distance : 15 mm (The feetpoint of the dipole to the Phantom) Air temp. : 23.6 degrees ; Liquid temp. : 22.6 degrees

DASY4 Configuration:

- Probe: ET3DV6 - SN1790 ; ConvF(6.15, 6.15, 6.15) ; Calibrated: 2007/11/20
- Sensor-Surface: 4mm (Mechanical Surface Detection)
- Electronics: DAE3 Sn510; Calibrated: 2007/8/29
- Phantom: SAM 12; Type: SAM V4.0; Serial: TP 1202
- Measurement SW: DASY4, V4.7 Build 53; Postprocessing SW: SEMCAD, V1.8 Build 172

d=15mm, Pin=250mW/Area Scan (7x9x1): Measurement grid: dx=15mm, dy=15mm
 Maximum value of SAR (measured) = 2.29 mW/g

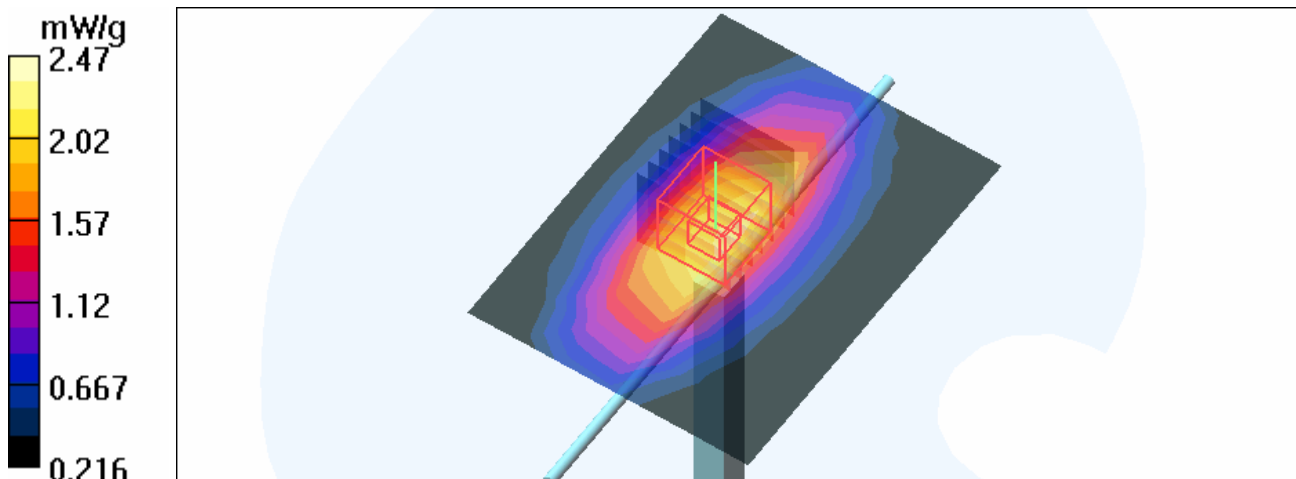
d=15mm, Pin=250mW/Zoom Scan (7x7x7) (7x7x7)/Cube 0: Measurement grid: dx=5mm, dy=5mm, dz=5mm

Reference Value = 52.0 V/m; Power Drift = -0.103 dB

Peak SAR (extrapolated) = 3.22 W/kg

SAR(1 g) = 2.27 mW/g; SAR(10 g) = 1.49 mW/g

Maximum value of SAR (measured) = 2.47 mW/g



Test Laboratory: Advance Data Technology

System Validation Check-HSL 1900MHz

DUT: Dipole 1900 MHz ; Type: D1900V2 ; Serial: 5d022 ; Test Frequency: 1900 MHz

Communication System: CW ; Frequency: 1900 MHz; Duty Cycle: 1:1; Modulation type: CW
 Medium: HSL1900; Medium parameters used: $f = 1900$ MHz; $\sigma = 1.44$ mho/m; $\epsilon_r = 41.2$; $\rho = 1000$ kg/m³ ;
 Liquid level : 152 mm
 Phantom section: Flat Section ; Separation distance : 10 mm (The feetpoint of the dipole to the Phantom) Air temp. : 23.6 degrees ; Liquid temp. : 22.3 degrees

DASY4 Configuration:

- Probe: ET3DV6 - SN1790 ; ConvF(5.1, 5.1, 5.1) ; Calibrated: 2007/11/20
- Sensor-Surface: 4mm (Mechanical Surface Detection)
- Electronics: DAE3 Sn510; Calibrated: 2007/8/29
- Phantom: SAM 12; Type: SAM V4.0; Serial: TP 1202
- Measurement SW: DASY4, V4.7 Build 53; Postprocessing SW: SEMCAD, V1.8 Build 172

d=10mm, Pin=250mW/Area Scan (7x7x1): Measurement grid: dx=15mm, dy=15mm
 Maximum value of SAR (measured) = 10.3 mW/g

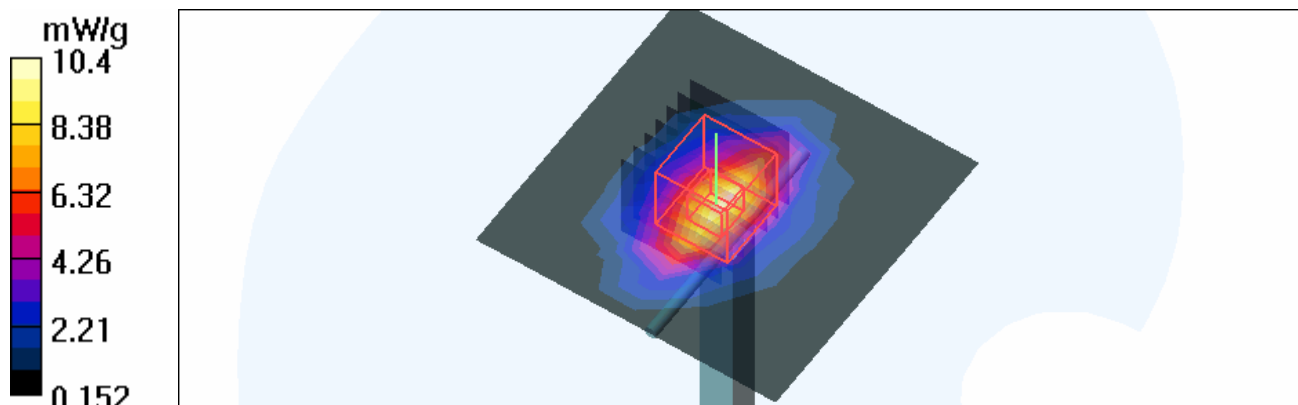
d=10mm, Pin=250mW/Zoom Scan (7x7x7) (7x7x7)/Cube 0: Measurement grid: dx=5mm, dy=5mm, dz=5mm

Reference Value = 90.4 V/m; Power Drift = -0.078 dB

Peak SAR (extrapolated) = 16.7 W/kg

SAR(1 g) = 9.2 mW/g; SAR(10 g) = 4.8 mW/g

Maximum value of SAR (measured) = 10.4 mW/g



Test Laboratory: Advance Data Technology

System Validation Check-MSL 1900MHz

DUT: Dipole 1900 MHz ; Type: D1900V2 ; Serial: 5d022 ; Test Frequency: 1900 MHz

Communication System: CW ; Frequency: 1900 MHz; Duty Cycle: 1:1; Modulation type: CW
 Medium: MSL1900; Medium parameters used: $f = 1900$ MHz; $\sigma = 1.54$ mho/m; $\epsilon_r = 54.7$; $\rho = 1000$ kg/m³ ; Liquid level : 155 mm

Phantom section: Flat Section ; Separation distance : 10 mm (The feetpoint of the dipole to the Phantom) Air temp. : 23.5 degrees ; Liquid temp. : 22.7 degrees

DASY4 Configuration:

- Probe: ET3DV6 - SN1790 ; ConvF(4.58, 4.58, 4.58) ; Calibrated: 2007/11/20
- Sensor-Surface: 4mm (Mechanical Surface Detection)
- Electronics: DAE3 Sn510; Calibrated: 2007/8/29
- Phantom: SAM 12; Type: SAM V4.0; Serial: TP 1202
- Measurement SW: DASY4, V4.7 Build 53; Postprocessing SW: SEMCAD, V1.8 Build 172

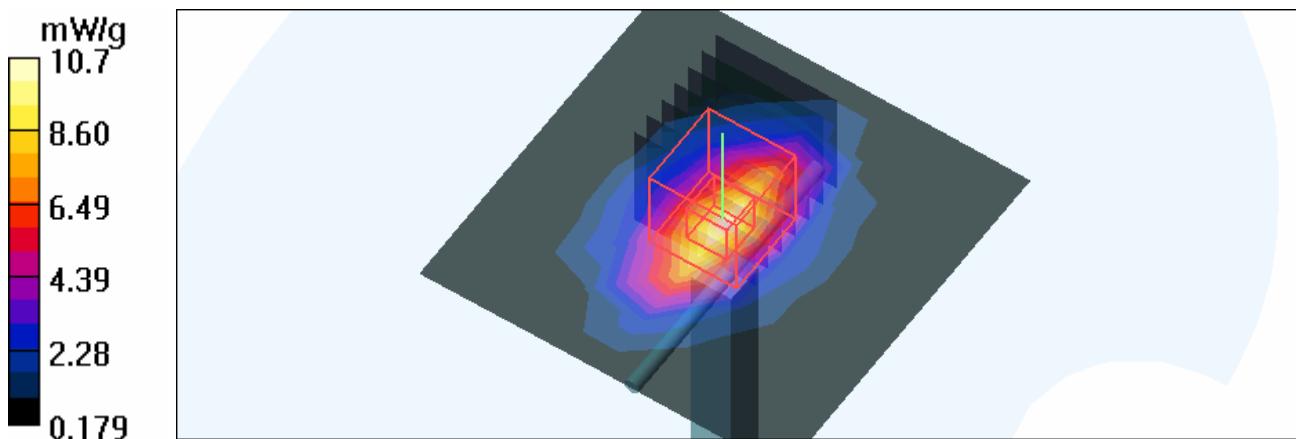
d=10mm, Pin=250mW/Area Scan (7x7x1): Measurement grid: dx=15mm, dy=15mm
 Maximum value of SAR (measured) = 10.7 mW/g

d=10mm, Pin=250mW/Zoom Scan (7x7x7) (7x7x7)/Cube 0: Measurement grid: dx=5mm, dy=5mm, dz=5mm

Reference Value = 89.0 V/m; Power Drift = -0.095 dB

Peak SAR (extrapolated) = 16.2 W/kg

SAR(1 g) = **9.43 mW/g**; SAR(10 g) = 5.05 mW/g



APPENDIX B: ADT SAR MEASUREMENT SYSTEM



APPENDIX C: PHOTOGRAPHS OF SYSTEM VALIDATION





APPENDIX D: SYSTEM CERTIFICATE & CALIBRATION

D1: SAM PHANTOM

Schmid & Partner Engineering AG

Zeughausstrasse 43, 8004 Zurich, Switzerland, Phone +41 1 245 97 00, Fax +41 1 245 97 79

Certificate of conformity / First Article Inspection

| | |
|-----------------------|--|
| Item | SAM Twin Phantom V4.0 |
| Type No | QD 000 P40 CA |
| Series No | TP-1150 and higher |
| Manufacturer / Origin | Untersee Composites Hauptstr. 69 CH-8559 Fruthwilen Switzerland |

Tests

The series production process used allows the limitation to test of first articles. Complete tests were made on the pre-series Type No. QD 000 P40 AA, Serial No. TP-1001 and on the series first article Type No. QD 000 P40 BA, Serial No. TP-1006. Certain parameters have been retested using further series units (called samples).

| Test | Requirement | Details | Units tested |
|----------------------|---|--|---------------------------|
| Shape | Compliance with the geometry according to the CAD model. | IT'IS CAD File (*) | First article, Samples |
| Material thickness | Compliant with the requirements according to the standards | 2mm +/- 0.2mm in specific areas | First article, Samples |
| Material parameters | Dielectric parameters for required frequencies | 200 MHz – 3 GHz Relative permittivity < 5 Loss tangent < 0.05. | Material sample TP 104-5 |
| Material resistivity | The material has been tested to be compatible with the liquids defined in the standards | Liquid type HSL 1800 and others according to the standard. | Pre-series, First article |

Standards

- [1] CENELEC EN 50361
- [2] IEEE P1528-200x draft 6.5
- [3] IEC PT 62209 draft 0.9

(*) The IT'IS CAD file is derived from [2] and is also within the tolerance requirements of the shapes of [1] and [3].

Conformity

Based on the sample tests above, we certify that this item is in compliance with the uncertainty requirements of SAR measurements specified in standard [1] and draft standards [2] and [3].

Date 28.02.2002

Signature / Stamp

F. Bombault

**Schmid & Partner
Engineering AG**

Zeughausstrasse 43, CH-8004 Zurich
Tel. +41 1 245 97 00, Fax +41 1 245 97 79

Johannes Kofler



Accredited by the Swiss Accreditation Service (SAS)
The Swiss Accreditation Service is one of the signatories to the EA
Multilateral Agreement for the recognition of calibration certificates

Accreditation No.: **SCS 108**

Client **ADT (Auden)**

Certificate No. **ET3-1790_Nov07**

CALIBRATION CERTIFICATE

Object **ET3DV6 - SN 1790**

Calibration procedure(s) **QA CAL-01 v6
Calibration procedure for dosimetric E-field probes**

Calibration date: **November 20, 2007**

Condition of the calibrated item **In Tolerance**

This calibration certificate documents the traceability to national standards, which realize the physical units of measurements (SI).
The measurements and the uncertainties with confidence probability are given on the following pages and are part of the certificate.

All calibrations have been conducted in the closed laboratory facility: environment temperature (22 ± 3)°C and humidity < 70%.

Calibration Equipment used (M&TE critical for calibration)

| Primary Standards | ID # | Cal Date (Calibrated by, Certificate No.) | Scheduled Calibration |
|----------------------------|-----------------|---|------------------------|
| Power meter E4419B | GB41293874 | 29-Mar-07 (METAS, No. 217-00670) | Mar-08 |
| Power sensor E4412A | MY41495277 | 29-Mar-07 (METAS, No. 217-00670) | Mar-08 |
| Power sensor E4412A | MY41498087 | 29-Mar-07 (METAS, No. 217-00670) | Mar-08 |
| Reference 3 dB Attenuator | SN: S5054 (3c) | 8-Aug-07 (METAS, No. 217-00719) | Aug-08 |
| Reference 20 dB Attenuator | SN: S5086 (20b) | 29-Mar-07 (METAS, No. 217-00671) | Mar-08 |
| Reference 30 dB Attenuator | SN: S5129 (30b) | 8-Aug-07 (METAS, No. 217-00720) | Aug-08 |
| Reference Probe ES3DV2 | SN: 3013 | 4-Jan-07 (SPEAG, No. ES3-3013_Jan07) | Jan-08 |
| DAE4 | SN: 654 | 20-Apr-07 (SPEAG, No. DAE4-654_Apr07) | Apr-08 |
| Secondary Standards | ID # | Check Date (in house) | Scheduled Check |
| RF generator HP 8648C | US3642U01700 | 4-Aug-99 (SPEAG, in house check Oct-07) | In house check: Oct-09 |
| Network Analyzer HP 8753E | US37390585 | 18-Oct-01 (SPEAG, in house check Oct-07) | In house check: Oct-08 |

| | Name | Function | Signature |
|----------------|---------------|-------------------|-----------|
| Calibrated by: | Katja Pokovic | Technical Manager | |
| Approved by: | Niels Kusler | Quality Manager | |

Issued: November 20, 2007

This calibration certificate shall not be reproduced except in full without written approval of the laboratory.



Accredited by the Swiss Accreditation Service (SAS)
The Swiss Accreditation Service is one of the signatories to the EA
Multilateral Agreement for the recognition of calibration certificates

Accreditation No.: **SCS 108**

Glossary:

| | |
|--------------------------|--|
| TSL | tissue simulating liquid |
| NORM _{x,y,z} | sensitivity in free space |
| ConvF | sensitivity in TSL / NORM _{x,y,z} |
| DCP | diode compression point |
| Polarization ϕ | ϕ rotation around probe axis |
| Polarization ϑ | ϑ rotation around an axis that is in the plane normal to probe axis (at measurement center), i.e., $\vartheta = 0$ is normal to probe axis |

Calibration is Performed According to the Following Standards:

- IEEE Std 1528-2003, "IEEE Recommended Practice for Determining the Peak Spatial-Averaged Specific Absorption Rate (SAR) in the Human Head from Wireless Communications Devices: Measurement Techniques", December 2003
- IEC 62209-1, "Procedure to measure the Specific Absorption Rate (SAR) for hand-held devices used in close proximity to the ear (frequency range of 300 MHz to 3 GHz)", February 2005

Methods Applied and Interpretation of Parameters:

- NORM_{x,y,z}**: Assessed for E-field polarization $\vartheta = 0$ ($f \leq 900$ MHz in TEM-cell; $f > 1800$ MHz: R22 waveguide). NORM_{x,y,z} are only intermediate values, i.e., the uncertainties of NORM_{x,y,z} does not effect the E²-field uncertainty inside TSL (see below *ConvF*).
- NORM(f)_{x,y,z} = NORM_{x,y,z} * frequency_response** (see Frequency Response Chart). This linearization is implemented in DASY4 software versions later than 4.2. The uncertainty of the frequency response is included in the stated uncertainty of *ConvF*.
- DCP_{x,y,z}**: DCP are numerical linearization parameters assessed based on the data of power sweep (no uncertainty required). DCP does not depend on frequency nor media.
- ConvF and Boundary Effect Parameters**: Assessed in flat phantom using E-field (or Temperature Transfer Standard for $f \leq 800$ MHz) and inside waveguide using analytical field distributions based on power measurements for $f > 800$ MHz. The same setups are used for assessment of the parameters applied for boundary compensation (alpha, depth) of which typical uncertainty values are given. These parameters are used in DASY4 software to improve probe accuracy close to the boundary. The sensitivity in TSL corresponds to NORM_{x,y,z} * ConvF whereby the uncertainty corresponds to that given for ConvF. A frequency dependent ConvF is used in DASY version 4.4 and higher which allows extending the validity from ± 50 MHz to ± 100 MHz.
- Spherical isotropy (3D deviation from isotropy)**: in a field of low gradients realized using a flat phantom exposed by a patch antenna.
- Sensor Offset**: The sensor offset corresponds to the offset of virtual measurement center from the probe tip (on probe axis). No tolerance required.

Probe ET3DV6

SN:1790

| | |
|------------------|-------------------|
| Manufactured: | May 28, 2003 |
| Last calibrated: | November 23, 2006 |
| Recalibrated: | November 20, 2007 |

Calibrated for DASY Systems

(Note: non-compatible with DASY2 system!)

DASY - Parameters of Probe: ET3DV6 SN:1790

| Sensitivity in Free Space ^A | | | Diode Compression ^B | |
|--|--------------|-------------------------------------|--------------------------------|-------|
| NormX | 2.10 ± 10.1% | $\mu\text{V}/(\text{V}/\text{m})^2$ | DCP X | 92 mV |
| NormY | 2.11 ± 10.1% | $\mu\text{V}/(\text{V}/\text{m})^2$ | DCP Y | 92 mV |
| NormZ | 1.77 ± 10.1% | $\mu\text{V}/(\text{V}/\text{m})^2$ | DCP Z | 92 mV |

Sensitivity in Tissue Simulating Liquid (Conversion Factors)

Please see Page 8.

Boundary Effect

| TSL | 900 MHz | Typical SAR gradient: 5 % per mm | |
|-----|--|----------------------------------|--------|
| | Sensor Center to Phantom Surface Distance | 3.7 mm | 4.7 mm |
| | SAR _{be} [%] Without Correction Algorithm | 6.2 | 3.3 |
| | SAR _{be} [%] With Correction Algorithm | 0.8 | 0.5 |

| TSL | 1750 MHz | Typical SAR gradient: 10 % per mm | |
|-----|--|-----------------------------------|--------|
| | Sensor Center to Phantom Surface Distance | 3.7 mm | 4.7 mm |
| | SAR _{be} [%] Without Correction Algorithm | 12.2 | 8.1 |
| | SAR _{be} [%] With Correction Algorithm | 0.9 | 0.0 |

Sensor Offset

| | |
|----------------------------|--------|
| Probe Tip to Sensor Center | 2.7 mm |
|----------------------------|--------|

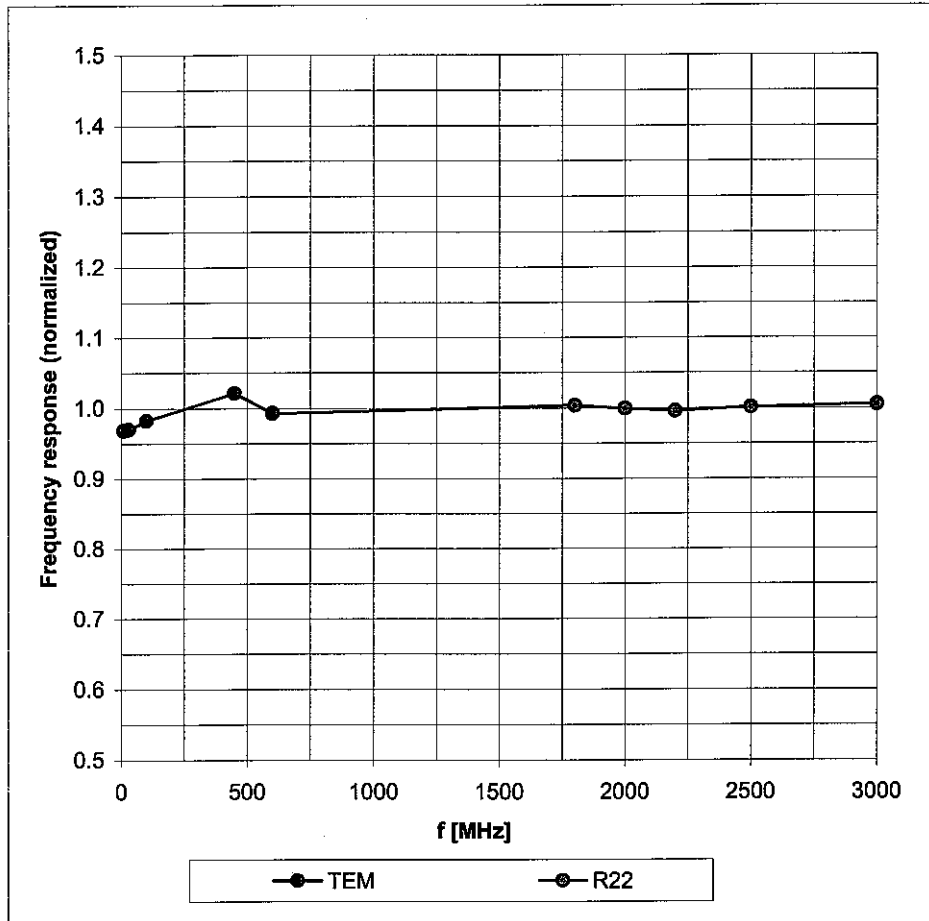
The reported uncertainty of measurement is stated as the standard uncertainty of measurement multiplied by the coverage factor k=2, which for a normal distribution corresponds to a coverage probability of approximately 95%.

^A The uncertainties of NormX,Y,Z do not affect the E²-field uncertainty inside TSL (see Page 8).

^B Numerical linearization parameter: uncertainty not required.

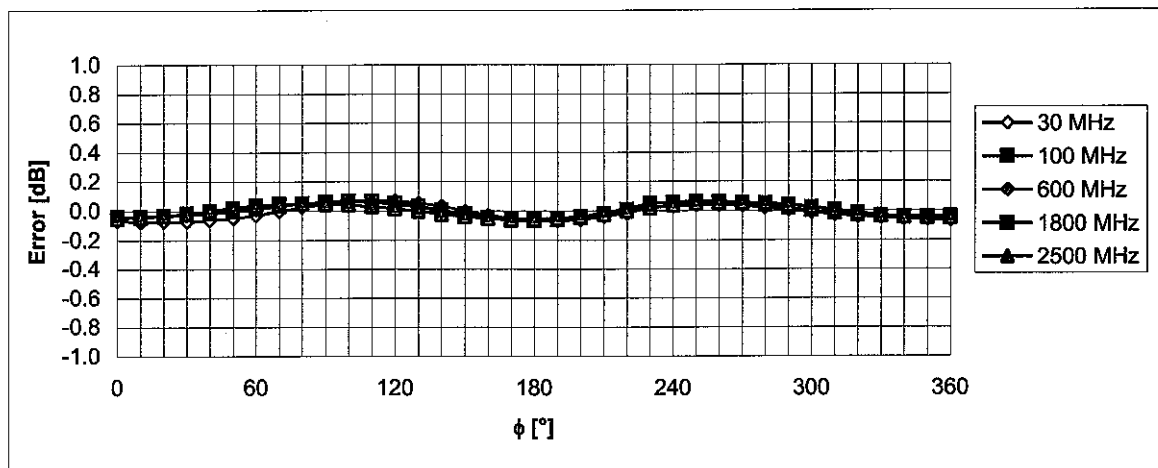
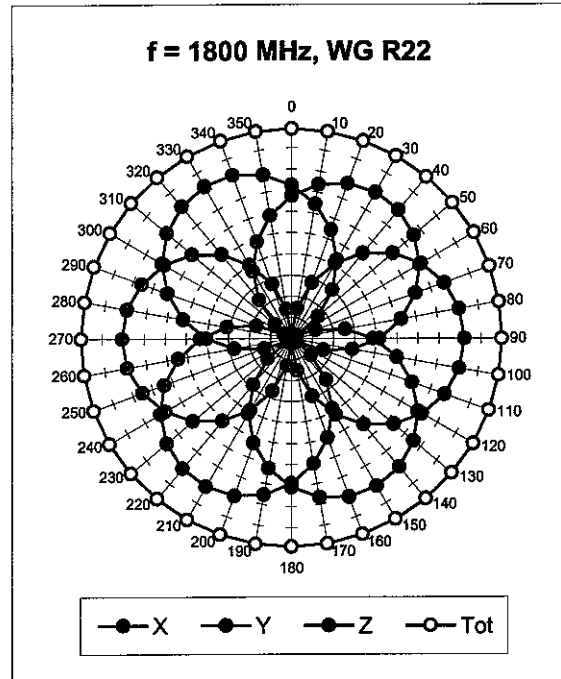
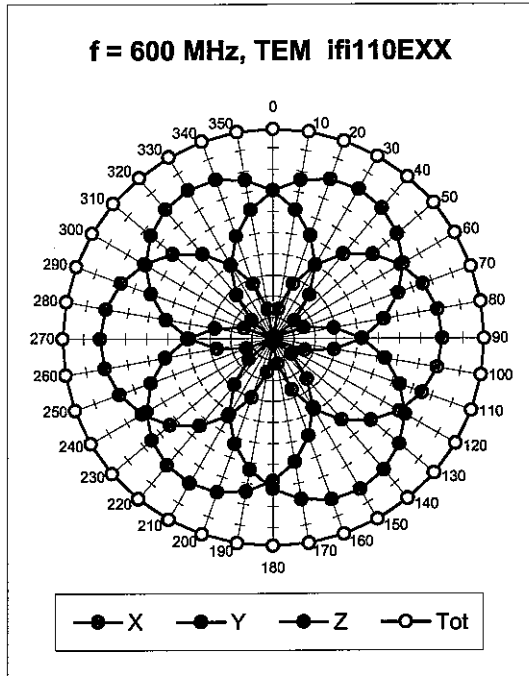
Frequency Response of E-Field

(TEM-Cell:ifi110 EXX, Waveguide: R22)



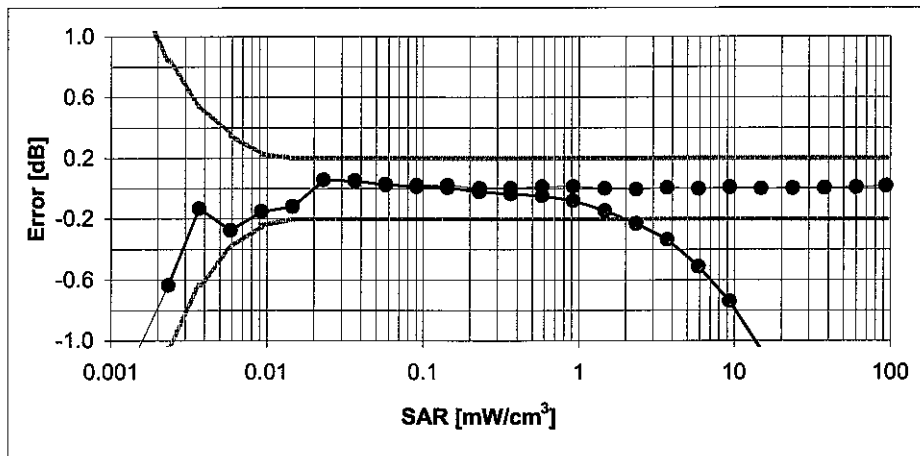
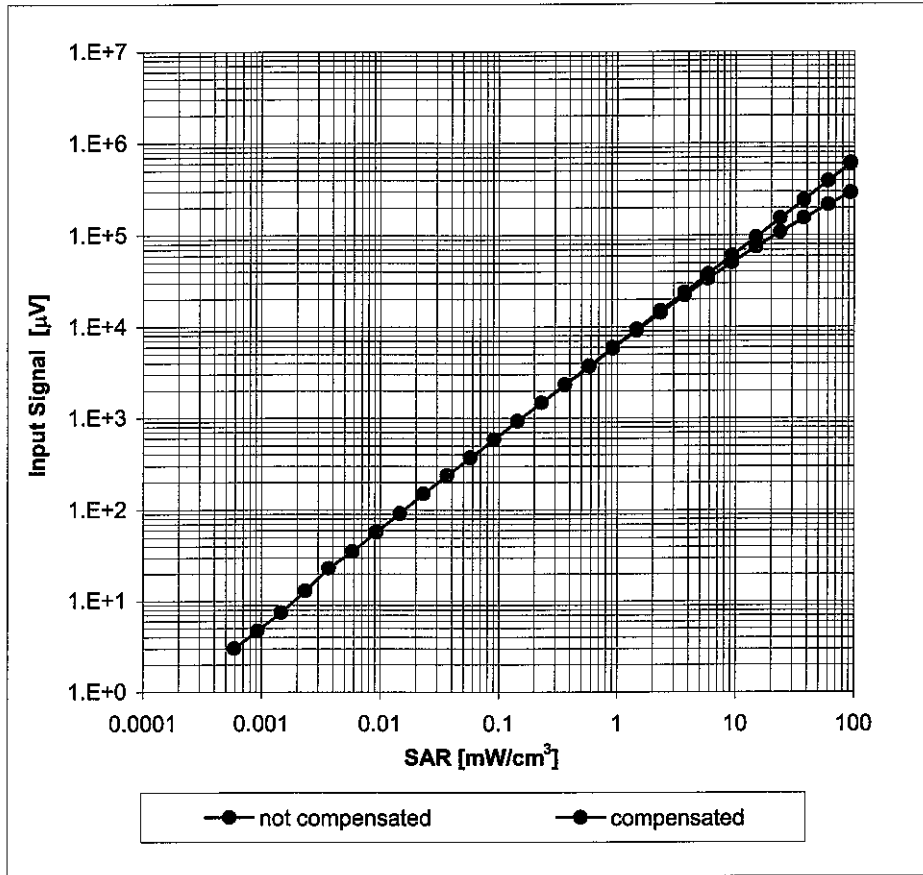
Uncertainty of Frequency Response of E-field: $\pm 6.3\%$ (k=2)

Receiving Pattern (ϕ), $\vartheta = 0^\circ$



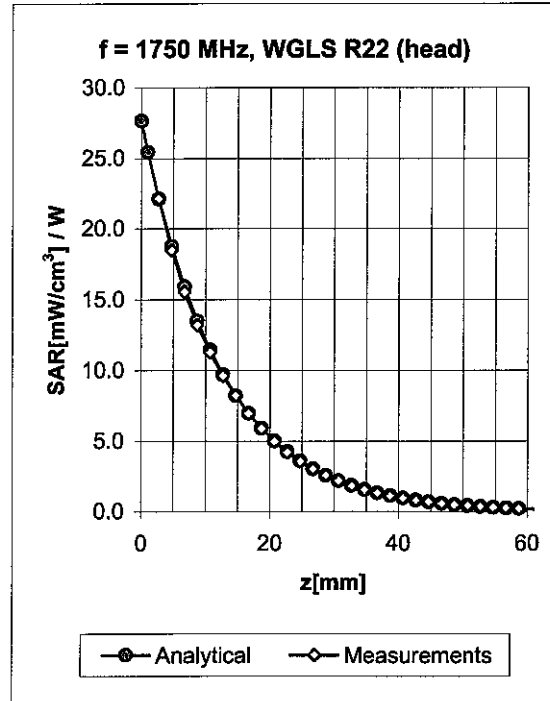
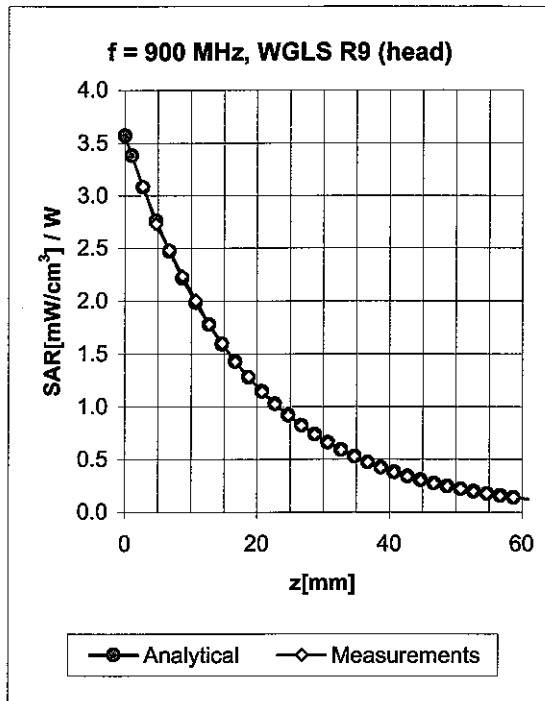
Uncertainty of Axial Isotropy Assessment: $\pm 0.5\%$ ($k=2$)

Dynamic Range f(SAR_{head}) (Waveguide R22, f = 1800 MHz)



Uncertainty of Linearity Assessment: $\pm 0.6\%$ (k=2)

Conversion Factor Assessment

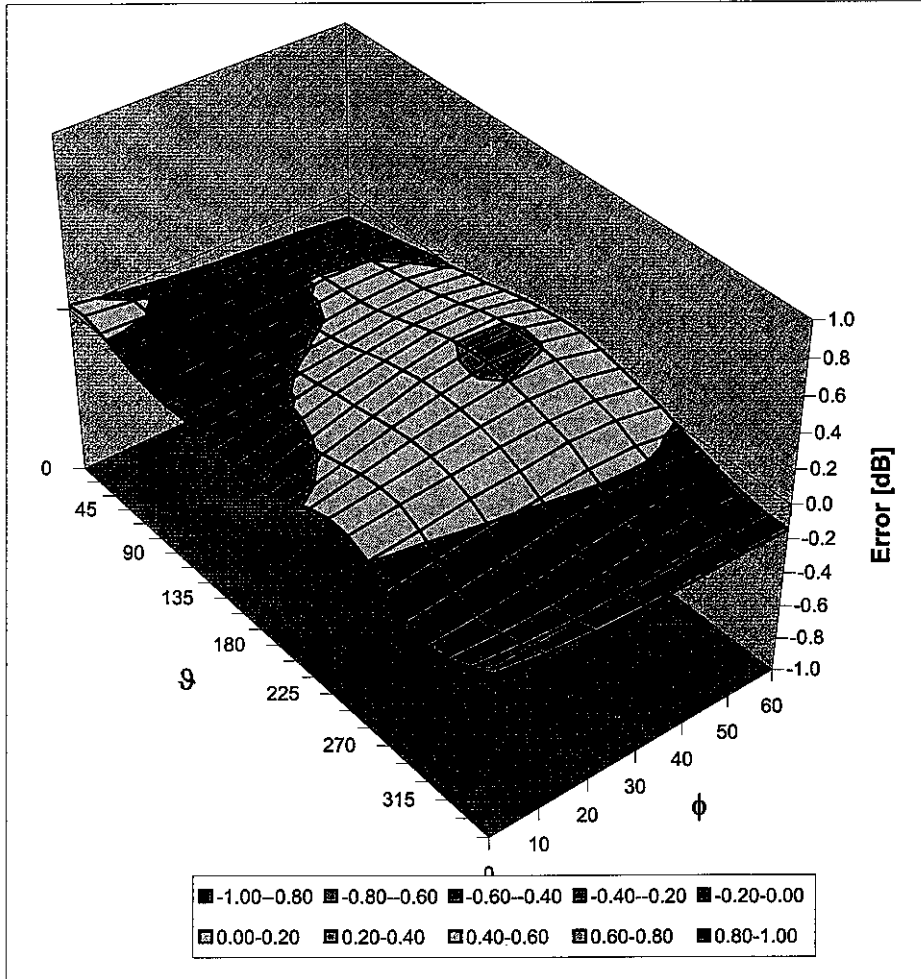


| f [MHz] | Validity [MHz] ^c | TSL | Permittivity | Conductivity | Alpha | Depth | ConvF Uncertainty |
|---------|-----------------------------|------|--------------|--------------|-------|-------|--------------------|
| 900 | ± 50 / ± 100 | Head | 41.5 ± 5% | 0.97 ± 5% | 0.59 | 2.17 | 6.65 ± 11.0% (k=2) |
| 1750 | ± 50 / ± 100 | Head | 40.1 ± 5% | 1.37 ± 5% | 0.59 | 2.28 | 5.42 ± 11.0% (k=2) |
| 1950 | ± 50 / ± 100 | Head | 40.0 ± 5% | 1.40 ± 5% | 0.63 | 2.14 | 5.10 ± 11.0% (k=2) |
| 2450 | ± 50 / ± 100 | Head | 39.2 ± 5% | 1.80 ± 5% | 0.74 | 1.94 | 4.74 ± 11.8% (k=2) |
| 900 | ± 50 / ± 100 | Body | 55.0 ± 5% | 1.05 ± 5% | 0.67 | 2.06 | 6.15 ± 11.0% (k=2) |
| 1750 | ± 50 / ± 100 | Body | 53.4 ± 5% | 1.49 ± 5% | 0.57 | 2.54 | 4.98 ± 11.0% (k=2) |
| 1950 | ± 50 / ± 100 | Body | 53.3 ± 5% | 1.52 ± 5% | 0.60 | 2.49 | 4.58 ± 11.0% (k=2) |
| 2450 | ± 50 / ± 100 | Body | 52.7 ± 5% | 1.95 ± 5% | 0.66 | 2.27 | 4.16 ± 11.8% (k=2) |

^c The validity of ± 100 MHz only applies for DASY v4.4 and higher (see Page 2). The uncertainty is the RSS of the ConvF uncertainty at calibration frequency and the uncertainty for the indicated frequency band.

Deviation from Isotropy in HSL

Error (ϕ , ϑ), $f = 900$ MHz



Uncertainty of Spherical Isotropy Assessment: $\pm 2.6\%$ ($k=2$)



Accredited by the Swiss Federal Office of Metrology and Accreditation
The Swiss Accreditation Service is one of the signatories to the EA
Multilateral Agreement for the recognition of calibration certificates

Accreditation No.: **SCS 108**

Client **ADT (Auden)**

Certificate No: **DAE3-510_Aug07**

CALIBRATION CERTIFICATE

Object **DAE3 - SD.000 D03 AA - SN: 510**

Calibration procedure(s) **QA CAL-06 v12
Calibration procedure for the data acquisition electronics (DAE)**

Calibration date: **August 29, 2007**

Condition of the calibrated item **In Tolerance**

This calibration certificate documents the traceability to national standards, which realize the physical units of measurements (SI).
The measurements and the uncertainties with confidence probability are given on the following pages and are part of the certificate.

All calibrations have been conducted in the closed laboratory facility: environment temperature (22 ± 3)°C and humidity < 70%.

Calibration Equipment used (M&TE critical for calibration)

| Primary Standards | ID # | Cal Date (Calibrated by, Certificate No.) | Scheduled Calibration |
|-----------------------------------|--------------------|---|-----------------------|
| Fluke Process Calibrator Type 702 | SN: 6295803 | 13-Oct-06 (Elcal AG, No: 5492) | Oct-07 |
| Keithley Multimeter Type 2001 | SN: 0810278 | 03-Oct-06 (Elcal AG, No: 5478) | Oct-07 |
| Secondary Standards | ID # | Check Date (in house) | Scheduled Check |
| Calibrator Box V1.1 | SE UMS 006 AB 1004 | 25-Jun-07 (SPEAG, in house check) | In house check Jun-08 |

Calibrated by: **Name** Dominique Steffen **Function** Technician **Signature**

Approved by: **Name** Fin Bornholt **Function** R&D Director **Signature**

Issued: August 29, 2007

This calibration certificate shall not be reproduced except in full without written approval of the laboratory.



Glossary

| | |
|-----------------|---|
| DAE | data acquisition electronics |
| Connector angle | information used in DASY system to align probe sensor X to the robot coordinate system. |

Methods Applied and Interpretation of Parameters

- *DC Voltage Measurement:* Calibration Factor assessed for use in DASY system by comparison with a calibrated instrument traceable to national standards. The figure given corresponds to the full scale range of the voltmeter in the respective range.
- *Connector angle:* The angle of the connector is assessed measuring the angle mechanically by a tool inserted. Uncertainty is not required.
- The following parameters contain technical information as a result from the performance test and require no uncertainty.
- *DC Voltage Measurement Linearity:* Verification of the Linearity at +10% and -10% of the nominal calibration voltage. Influence of offset voltage is included in this measurement.
- *Common mode sensitivity:* Influence of a positive or negative common mode voltage on the differential measurement.
- *Channel separation:* Influence of a voltage on the neighbor channels not subject to an input voltage.
- *AD Converter Values with inputs shorted:* Values on the internal AD converter corresponding to zero input voltage
- *Input Offset Measurement:* Output voltage and statistical results over a large number of zero voltage measurements.
- *Input Offset Current:* Typical value for information; Maximum channel input offset current, not considering the input resistance.
- *Input resistance:* DAE input resistance at the connector, during internal auto-zeroing and during measurement.
- *Low Battery Alarm Voltage:* Typical value for information. Below this voltage, a battery alarm signal is generated.
- *Power consumption:* Typical value for information. Supply currents in various operating modes.

DC Voltage Measurement

A/D - Converter Resolution nominal

High Range: 1LSB = 6.1 μ V, full range = -100...+300 mV

Low Range: 1LSB = 61nV, full range = -1.....+3mV

DASY measurement parameters: Auto Zero Time: 3 sec; Measuring time: 3 sec

| Calibration Factors | X | Y | Z |
|---------------------|--------------------------|--------------------------|--------------------------|
| High Range | 404.150 \pm 0.1% (k=2) | 404.218 \pm 0.1% (k=2) | 404.585 \pm 0.1% (k=2) |
| Low Range | 3.98817 \pm 0.7% (k=2) | 3.97339 \pm 0.7% (k=2) | 3.96897 \pm 0.7% (k=2) |

Connector Angle

| | |
|---|----------------------------------|
| Connector Angle to be used in DASY system | 42 $^{\circ}$ \pm 1 $^{\circ}$ |
|---|----------------------------------|

Appendix

1. DC Voltage Linearity

| High Range | Input (μV) | Reading (μV) | Error (%) |
|-------------------|-------------------------|---------------------------|-----------|
| Channel X + Input | 200000 | 200000.7 | 0.00 |
| Channel X + Input | 20000 | 20006.63 | 0.03 |
| Channel X - Input | 20000 | -19999.14 | 0.00 |
| Channel Y + Input | 200000 | 199999.5 | 0.00 |
| Channel Y + Input | 20000 | 20005.23 | 0.03 |
| Channel Y - Input | 20000 | -20002.04 | 0.01 |
| Channel Z + Input | 200000 | 199999.6 | 0.00 |
| Channel Z + Input | 20000 | 20006.53 | 0.03 |
| Channel Z - Input | 20000 | -20001.38 | 0.01 |

| Low Range | Input (μV) | Reading (μV) | Error (%) |
|-------------------|-------------------------|---------------------------|-----------|
| Channel X + Input | 2000 | 2000 | 0.00 |
| Channel X + Input | 200 | 199.97 | -0.01 |
| Channel X - Input | 200 | -199.90 | -0.05 |
| Channel Y + Input | 2000 | 2000.1 | 0.00 |
| Channel Y + Input | 200 | 199.64 | -0.18 |
| Channel Y - Input | 200 | -200.58 | 0.29 |
| Channel Z + Input | 2000 | 2000 | 0.00 |
| Channel Z + Input | 200 | 199.20 | -0.40 |
| Channel Z - Input | 200 | -200.81 | 0.41 |

2. Common mode sensitivity

DASY measurement parameters: Auto Zero Time: 3 sec; Measuring time: 3 sec

| | Common mode Input Voltage (mV) | High Range Average Reading (μV) | Low Range Average Reading (μV) |
|-----------|--------------------------------|--|---|
| Channel X | 200 | 17.82 | 16.82 |
| | - 200 | -16.18 | -16.83 |
| Channel Y | 200 | 14.68 | 14.20 |
| | - 200 | -15.70 | -16.05 |
| Channel Z | 200 | -8.25 | -8.73 |
| | - 200 | 8.01 | 8.08 |

3. Channel separation

DASY measurement parameters: Auto Zero Time: 3 sec; Measuring time: 3 sec

| | Input Voltage (mV) | Channel X (μV) | Channel Y (μV) | Channel Z (μV) |
|-----------|--------------------|-----------------------------|-----------------------------|-----------------------------|
| Channel X | 200 | - | 0.75 | 1.74 |
| Channel Y | 200 | 2.34 | - | 2.77 |
| Channel Z | 200 | -1.43 | 0.25 | - |

4. AD-Converter Values with inputs shorted

DASY measurement parameters: Auto Zero Time: 3 sec; Measuring time: 3 sec

| | High Range (LSB) | Low Range (LSB) |
|-----------|------------------|-----------------|
| Channel X | 15893 | 16120 |
| Channel Y | 16114 | 16051 |
| Channel Z | 16081 | 16196 |

5. Input Offset Measurement

DASY measurement parameters: Auto Zero Time: 3 sec; Measuring time: 3 sec

Input 10M Ω

| | Average (μ V) | min. Offset (μ V) | max. Offset (μ V) | Std. Deviation (μ V) |
|-----------|--------------------|------------------------|------------------------|---------------------------|
| Channel X | -0.67 | -1.71 | -0.06 | 0.26 |
| Channel Y | -1.04 | -3.37 | 0.35 | 0.34 |
| Channel Z | -1.26 | -3.29 | 0.15 | 0.35 |

6. Input Offset Current

Nominal Input circuitry offset current on all channels: <25fA

7. Input Resistance

| | Zeroing (MOhm) | Measuring (MOhm) |
|-----------|----------------|------------------|
| Channel X | 0.2001 | 198.5 |
| Channel Y | 0.2001 | 199.2 |
| Channel Z | 0.2000 | 200.3 |

8. Low Battery Alarm Voltage (verified during pre test)

| Typical values | Alarm Level (VDC) |
|----------------|-------------------|
| Supply (+ Vcc) | +7.9 |
| Supply (- Vcc) | -7.6 |

9. Power Consumption (verified during pre test)

| Typical values | Switched off (mA) | Stand by (mA) | Transmitting (mA) |
|----------------|-------------------|---------------|-------------------|
| Supply (+ Vcc) | +0.0 | +6 | +14 |
| Supply (- Vcc) | -0.01 | -8 | -9 |



Accredited by the Swiss Federal Office of Metrology and Accreditation
The Swiss Accreditation Service is one of the signatories to the EA
Multilateral Agreement for the recognition of calibration certificates

Accreditation No.: **SCS 108**

Client **ADT (Auden)**

Certificate No. **D1900V2-5d022_Aug07**

CALIBRATION CERTIFICATE

Object **D1900V2 - SN: 5d022**

Calibration procedure(s) **QA CAL-05 v7
Calibration procedure for dipole validation kits**

Calibration date: **August 28, 2007**

Condition of the calibrated item **In Tolerance**


This calibration certificate documents the traceability to national standards, which realize the physical units of measurements (SI).
The measurements and the uncertainties with confidence probability are given on the following pages and are part of the certificate.


All calibrations have been conducted in the closed laboratory facility: environment temperature (22 ± 3)°C and humidity < 70%.

Calibration Equipment used (M&TE critical for calibration)

| Primary Standards | ID # | Cal Date (Calibrated by, Certificate No.) | Scheduled Calibration |
|----------------------------|------------------|---|-----------------------|
| Power meter EPM-442A | GB37480704 | 03-Oct-06 (METAS, No. 217-00608) | Oct-07 |
| Power sensor HP 8481A | US37292783 | 03-Oct-06 (METAS, No. 217-00608) | Oct-07 |
| Reference 20 dB Attenuator | SN: 5086 (20g) | 07-Aug-07 (METAS, No 217-00718) | Aug-08 |
| Reference 10 dB Attenuator | SN: 5047.2 (10r) | 07-Aug-07 (METAS, No 217-00718) | Aug-08 |
| Reference Probe ET3DV6 | SN: 1507 | 19-Oct-06 (SPEAG, No. ET3-1507_Oct06) | Oct-07 |
| Reference Probe ES3DV3 | SN: 3025 | 19-Oct-06 (SPEAG, No. ES3-3025_Oct06) | Oct-07 |
| DAE4 | SN 601 | 30-Jan-07 (SPEAG, No. DAE4-601_Jan07) | Jan-08 |

| Secondary Standards | ID # | Check Date (in house) | Scheduled Check |
|-----------------------------|------------------|--|------------------------|
| Power sensor HP 8481A | MY41092317 | 18-Oct-02 (SPEAG, in house check Oct-05) | In house check: Oct-07 |
| RF generator Agilent E4421B | MY41000675 | 11-May-05 (SPEAG, in house check Nov-05) | In house check: Nov-07 |
| Network Analyzer HP 8753E | US37390585 S4206 | 18-Oct-01 (SPEAG, in house check Oct-06) | In house check: Oct-07 |

Calibrated by: **Marcel Fehr** (Name) **Laboratory Technician** (Function)  (Signature)

Approved by: **Katja Pokovic** (Name) **Technical Manager** (Function)  (Signature)

Issued: August 29, 2007

This calibration certificate shall not be reproduced except in full without written approval of the laboratory.



Accredited by the Swiss Federal Office of Metrology and Accreditation
The Swiss Accreditation Service is one of the signatories to the EA
Multilateral Agreement for the recognition of calibration certificates

Glossary:

| | |
|-------|---------------------------------|
| TSL | tissue simulating liquid |
| ConvF | sensitivity in TSL / NORM x,y,z |
| N/A | not applicable or not measured |

Calibration is Performed According to the Following Standards:

- a) IEEE Std 1528-2003, "IEEE Recommended Practice for Determining the Peak Spatial-Averaged Specific Absorption Rate (SAR) in the Human Head from Wireless Communications Devices: Measurement Techniques", December 2003
- b) IEC 62209-1, "Procedure to measure the Specific Absorption Rate (SAR) for hand-held devices used in close proximity to the ear (frequency range of 300 MHz to 3 GHz)", February 2005
- c) Federal Communications Commission Office of Engineering & Technology (FCC OET), "Evaluating Compliance with FCC Guidelines for Human Exposure to Radiofrequency Electromagnetic Fields; Additional Information for Evaluating Compliance of Mobile and Portable Devices with FCC Limits for Human Exposure to Radiofrequency Emissions", Supplement C (Edition 01-01) to Bulletin 65

Additional Documentation:

- d) DASY4 System Handbook

Methods Applied and Interpretation of Parameters:

- *Measurement Conditions:* Further details are available from the Validation Report at the end of the certificate. All figures stated in the certificate are valid at the frequency indicated.
- *Antenna Parameters with TSL:* The dipole is mounted with the spacer to position its feed point exactly below the center marking of the flat phantom section, with the arms oriented parallel to the body axis.
- *Feed Point Impedance and Return Loss:* These parameters are measured with the dipole positioned under the liquid filled phantom. The impedance stated is transformed from the measurement at the SMA connector to the feed point. The Return Loss ensures low reflected power. No uncertainty required.
- *Electrical Delay:* One-way delay between the SMA connector and the antenna feed point. No uncertainty required.
- *SAR measured:* SAR measured at the stated antenna input power.
- *SAR normalized:* SAR as measured, normalized to an input power of 1 W at the antenna connector.
- *SAR for nominal TSL parameters:* The measured TSL parameters are used to calculate the nominal SAR result.

Measurement Conditions

DASY system configuration, as far as not given on page 1.

| | | |
|-------------------------------------|---------------------------|-------------|
| DASY Version | DASY4 | V4.7 |
| Extrapolation | Advanced Extrapolation | |
| Phantom | Modular Flat Phantom V5.0 | |
| Distance Dipole Center - TSL | 10 mm | with Spacer |
| Zoom Scan Resolution | dx, dy, dz = 5 mm | |
| Frequency | 1900 MHz ± 1 MHz | |

Head TSL parameters

The following parameters and calculations were applied.

| | Temperature | Permittivity | Conductivity |
|---|-----------------|--------------|------------------|
| Nominal Head TSL parameters | 22.0 °C | 40.0 | 1.40 mho/m |
| Measured Head TSL parameters | (22.0 ± 0.2) °C | 39.3 ± 6 % | 1.47 mho/m ± 6 % |
| Head TSL temperature during test | (21.3 ± 0.2) °C | --- | --- |

SAR result with Head TSL

| SAR averaged over 1 cm³ (1 g) of Head TSL | condition | |
|---|--------------------|-----------------------------------|
| SAR measured | 250 mW input power | 9.42 mW / g |
| SAR normalized | normalized to 1W | 37.7 mW / g |
| SAR for nominal Head TSL parameters ¹ | normalized to 1W | 36.4 mW / g ± 17.0 % (k=2) |

| SAR averaged over 10 cm³ (10 g) of Head TSL | Condition | |
|---|--------------------|-----------------------------------|
| SAR measured | 250 mW input power | 4.94 mW / g |
| SAR normalized | normalized to 1W | 19.8 mW / g |
| SAR for nominal Head TSL parameters ¹ | normalized to 1W | 19.4 mW / g ± 16.5 % (k=2) |

¹ Correction to nominal TSL parameters according to d), chapter "SAR Sensitivities"

Body TSL parameters

The following parameters and calculations were applied.

| | Temperature | Permittivity | Conductivity |
|---|-----------------|--------------|------------------|
| Nominal Body TSL parameters | 22.0 °C | 53.3 | 1.52 mho/m |
| Measured Body TSL parameters | (22.0 ± 0.2) °C | 55.6 ± 6 % | 1.59 mho/m ± 6 % |
| Body TSL temperature during test | (21.5 ± 0.2) °C | --- | --- |

SAR result with Body TSL

| SAR averaged over 1 cm³ (1 g) of Body TSL | Condition | |
|---|--------------------|-----------------------------------|
| SAR measured | 250 mW input power | 9.44 mW / g |
| SAR normalized | normalized to 1W | 37.8 mW / g |
| SAR for nominal Body TSL parameters ² | normalized to 1W | 37.7 mW / g ± 17.0 % (k=2) |

| SAR averaged over 10 cm³ (10 g) of Body TSL | condition | |
|---|--------------------|-----------------------------------|
| SAR measured | 250 mW input power | 5.08 mW / g |
| SAR normalized | normalized to 1W | 20.3 mW / g |
| SAR for nominal Body TSL parameters ² | normalized to 1W | 20.5 mW / g ± 16.5 % (k=2) |

² Correction to nominal TSL parameters according to d), chapter "SAR Sensitivities"

Appendix

Antenna Parameters with Head TSL

| | |
|--------------------------------------|-----------------------------|
| Impedance, transformed to feed point | $52.8 \Omega + 3.3 j\Omega$ |
| Return Loss | - 27.4 dB |

Antenna Parameters with Body TSL

| | |
|--------------------------------------|-----------------------------|
| Impedance, transformed to feed point | $52.6 \Omega + 3.9 j\Omega$ |
| Return Loss | - 26.8 dB |

General Antenna Parameters and Design

| | |
|----------------------------------|----------|
| Electrical Delay (one direction) | 1.195 ns |
|----------------------------------|----------|

After long term use with 100W radiated power, only a slight warming of the dipole near the feedpoint can be measured.

The dipole is made of standard semirigid coaxial cable. The center conductor of the feeding line is directly connected to the second arm of the dipole. The antenna is therefore short-circuited for DC-signals.

No excessive force must be applied to the dipole arms, because they might bend or the soldered connections near the feedpoint may be damaged.

Additional EUT Data

| | |
|-----------------|-----------------|
| Manufactured by | SPEAG |
| Manufactured on | August 29, 2002 |

DASY4 Validation Report for Head TSL

Date/Time: 28.08.2007 14:10:11

Test Laboratory: SPEAG, Zurich, Switzerland

DUT: Dipole 1900 MHz; Type: D1900V2; Serial: D1900V2 - SN:5d022

Communication System: CW; Frequency: 1900 MHz; Duty Cycle: 1:1

Medium: HSL U10 BB;

Medium parameters used: $f = 1900$ MHz; $\sigma = 1.47$ mho/m; $\epsilon_r = 39.3$; $\rho = 1000$ kg/m³

Phantom section: Flat Section

Measurement Standard: DASY4 (High Precision Assessment)

DASY4 Configuration:

- Probe: ET3DV6 - SN1507 (HF); ConvF(4.97, 4.97, 4.97); Calibrated: 19.10.2006
- Sensor-Surface: 4mm (Mechanical Surface Detection)
- Electronics: DAE4 Sn601; Calibrated: 30.01.2007
- Phantom: Flat Phantom 5.0 (front); Type: QD000P50AA; ;
- Measurement SW: DASY4, V4.7 Build 53; Postprocessing SW: SEMCAD, V1.8 Build 172

Pin = 250 mW; d = 10 mm/Zoom Scan (7x7x7)/Cube 0:

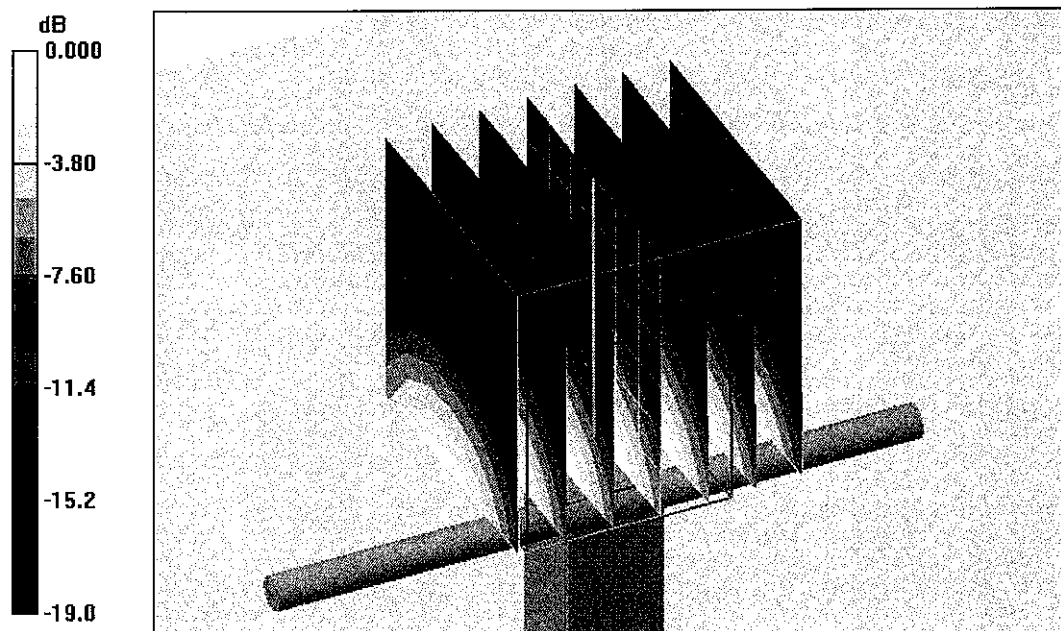
Measurement grid: dx=5mm, dy=5mm, dz=5mm

Reference Value = 90.8 V/m; Power Drift = -0.019 dB

Peak SAR (extrapolated) = 16.2 W/kg

SAR(1 g) = 9.42 mW/g; SAR(10 g) = 4.94 mW/g

Maximum value of SAR (measured) = 10.7 mW/g



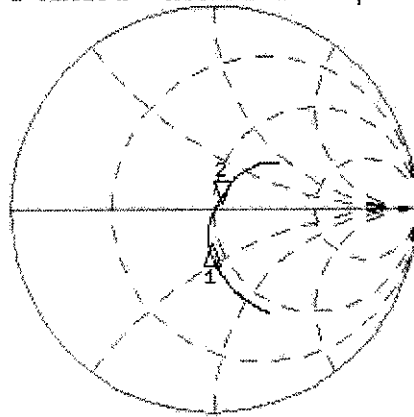
0 dB = 10.7mW/g

Impedance Measurement Plot for Head TSL

28 Aug 2007 10:54:22

CH1 S11 1 U FS 2: 52.820 Ω 3.3379 Ω 279.60 pF 1 900.000 000 MHz

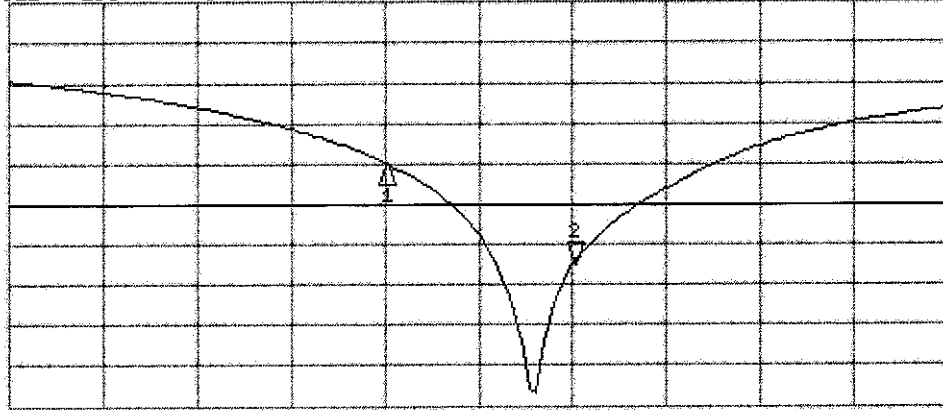
*
De1
Cor
Avg
16
↑



CH1 Markers
1: 45.223 Ω
-16.506 Ω
1.80000 GHz

CH2 S11 LOG 5 dB/REF -20 dB 2: -27.429 dB 1 900.000 000 MHz

Cor
Avg
16
↑



CH2 Markers
1: -15.002 dB
1.80000 GHz

START 1 600.000 000 MHz

STOP 2 100.000 000 MHz

DASY4 Validation Report for Body TSL

Date/Time: 21.08.2007 12:04:45

Test Laboratory: SPEAG, Zurich, Switzerland

DUT: Dipole 1900 MHz; Type: D1900V2; Serial: D1900V2 - SN:5d022

Communication System: CW; Frequency: 1900 MHz; Duty Cycle: 1:1

Medium: MSL U10 BB;

Medium parameters used: $f = 1900$ MHz; $\sigma = 1.59$ mho/m; $\epsilon_r = 55.7$; $\rho = 1000$ kg/m³

Phantom section: Flat Section

Measurement Standard: DASY4 (High Precision Assessment)

DASY4 Configuration:

- Probe: ET3DV6 - SN1507 (HF); ConvF(4.43, 4.43, 4.43); Calibrated: 19.10.2006
- Sensor-Surface: 4mm (Mechanical Surface Detection)
- Electronics: DAE4 Sn601; Calibrated: 30.01.2007
- Phantom: Flat Phantom 5.0 (back); Type: QD000P50AA; ;
- Measurement SW: DASY4, V4.7 Build 53; Postprocessing SW: SEMCAD, V1.8 Build 172

Pin = 250 mW; d = 10 mm/Zoom Scan (7x7x7)/Cube 0:

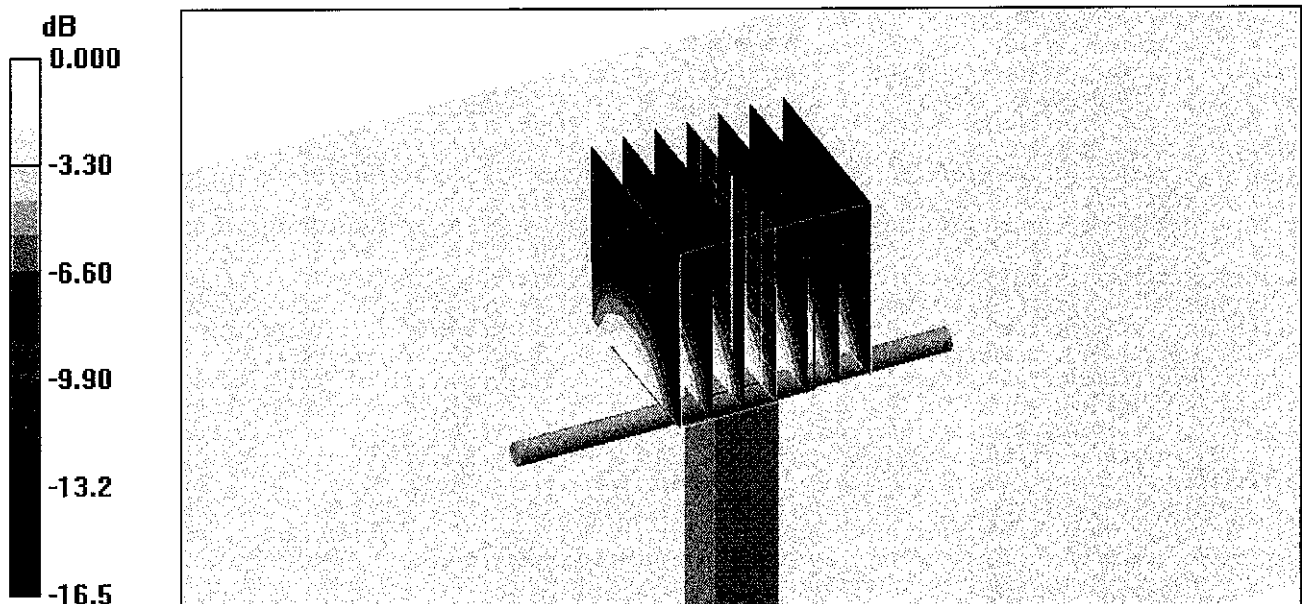
Measurement grid: dx=5mm, dy=5mm, dz=5mm

Reference Value = 88.3 V/m; Power Drift = 0.009 dB

Peak SAR (extrapolated) = 15.8 W/kg

SAR(1 g) = 9.44 mW/g; SAR(10 g) = 5.08 mW/g

Maximum value of SAR (measured) = 10.6 mW/g



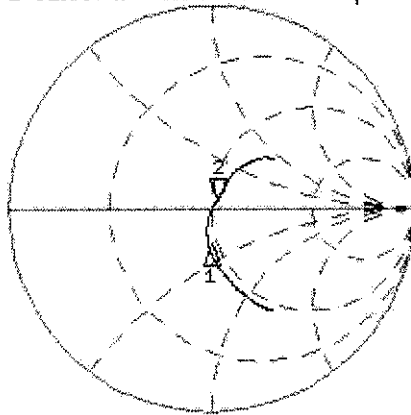
0 dB = 10.6mW/g

Impedance Measurement Plot for Body TSL

21 Aug 2007 09:25:18

CH1 S11 1 U FS 2: 52.557 Ω 3.9434 Ω 330.32 pF 1 900.000 000 MHz

*
Del
Cor

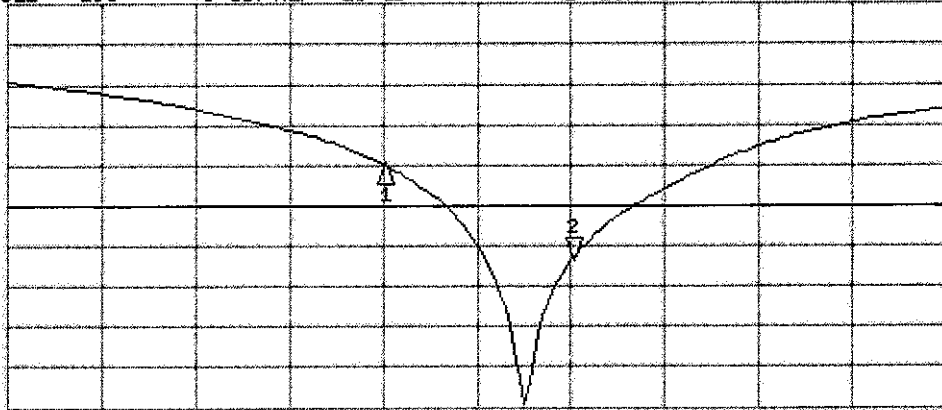


CH1 Markers
1: 45.797 Ω
-17.119 Ω
1.80000 GHz

Avg
15
↑

CH2 S11 LOG 5 dB/REF -20 dB 2: -26.779 dB 1 900.000 000 MHz

Cor



CH2 Markers
1: -14.840 dB
1.80000 GHz

Avg
15
↑

START 1 500.000 000 MHz

STOP 2 100.000 000 MHz



Accredited by the Swiss Accreditation Service (SAS)
The Swiss Accreditation Service is one of the signatories to the EA
Multilateral Agreement for the recognition of calibration certificates

Accreditation No.: **SCS 108**

Client **ADT (Auden)**

Certificate No: **D835V2-4d021_May08**

CALIBRATION CERTIFICATE

Object **D835V2 - SN: 4d021**

Calibration procedure(s) **QA CAL-05.v7
Calibration procedure for dipole validation kits**

Calibration date: **May 19, 2008**

Condition of the calibrated item **In Tolerance**

This calibration certificate documents the traceability to national standards, which realize the physical units of measurements (SI).
The measurements and the uncertainties with confidence probability are given on the following pages and are part of the certificate.

All calibrations have been conducted in the closed laboratory facility: environment temperature (22 ± 3)°C and humidity < 70%.

Calibration Equipment used (M&TE critical for calibration)

| Primary Standards | ID # | Cal Date (Calibrated by, Certificate No.) | Scheduled Calibration |
|-----------------------------|--------------------|---|------------------------|
| Power meter EPM-442A | GB37480704 | 04-Oct-07 (METAS, No. 217-00736) | Oct-08 |
| Power sensor HP 8481A | US37292783 | 04-Oct-07 (METAS, No. 217-00736) | Oct-08 |
| Reference 20 dB Attenuator | SN: 5086 (20g) | 07-Aug-07 (METAS, No 217-00718) | Aug-08 |
| Type-N mismatch combination | SN: 5047.2 / 06327 | 08-Aug-07 (No. 217-00721) | Aug-08 |
| Reference Probe ES3DV2 | SN: 3025 | 28-Apr-08 (No. ES3-3025_Apr08) | Apr-09 |
| DAE4 | SN: 601 | 14-Mar-08 (No. DAE4-601_Mar08) | Mar-09 |
| Secondary Standards | ID # | Check Date (in house) | Scheduled Check |
| Power sensor HP 8481A | MY41092317 | 18-Oct-02 (SPEAG, in house check Oct-07) | In house check: Oct-09 |
| RF generator R&S SMT-06 | 100005 | 04-Aug-99 (SPEAG, in house check Oct-07) | In house check: Oct-09 |
| Network Analyzer HP 8753E | US37390585 S4206 | 18-Oct-01 (SPEAG, in house check Oct-07) | In house check: Oct-08 |

| | | | |
|----------------|--------------------------------|-----------------------------------|---------------|
| Calibrated by: | Name Claudio Leubler | Function Laboratory Technician | Signature |
| Approved by: | Name Katja Pokovic | Technical Manager | |

Issued: May 19, 2008

This calibration certificate shall not be reproduced except in full without written approval of the laboratory.



Accredited by the Swiss Accreditation Service (SAS)
The Swiss Accreditation Service is one of the signatories to the EA
Multilateral Agreement for the recognition of calibration certificates

Accreditation No.: **SCS 108**

Glossary:

| | |
|-------|---------------------------------|
| TSL | tissue simulating liquid |
| ConvF | sensitivity in TSL / NORM x,y,z |
| N/A | not applicable or not measured |

Calibration is Performed According to the Following Standards:

- IEEE Std 1528-2003, "IEEE Recommended Practice for Determining the Peak Spatial-Averaged Specific Absorption Rate (SAR) in the Human Head from Wireless Communications Devices: Measurement Techniques", December 2003
- IEC 62209-1, "Procedure to measure the Specific Absorption Rate (SAR) for hand-held devices used in close proximity to the ear (frequency range of 300 MHz to 3 GHz)", February 2005
- Federal Communications Commission Office of Engineering & Technology (FCC OET), "Evaluating Compliance with FCC Guidelines for Human Exposure to Radiofrequency Electromagnetic Fields; Additional Information for Evaluating Compliance of Mobile and Portable Devices with FCC Limits for Human Exposure to Radiofrequency Emissions", Supplement C (Edition 01-01) to Bulletin 65

Additional Documentation:

- DASY4/5 System Handbook

Methods Applied and Interpretation of Parameters:

- Measurement Conditions:** Further details are available from the Validation Report at the end of the certificate. All figures stated in the certificate are valid at the frequency indicated.
- Antenna Parameters with TSL:** The dipole is mounted with the spacer to position its feed point exactly below the center marking of the flat phantom section, with the arms oriented parallel to the body axis.
- Feed Point Impedance and Return Loss:** These parameters are measured with the dipole positioned under the liquid filled phantom. The impedance stated is transformed from the measurement at the SMA connector to the feed point. The Return Loss ensures low reflected power. No uncertainty required.
- Electrical Delay:** One-way delay between the SMA connector and the antenna feed point. No uncertainty required.
- SAR measured:** SAR measured at the stated antenna input power.
- SAR normalized:** SAR as measured, normalized to an input power of 1 W at the antenna connector.
- SAR for nominal TSL parameters:** The measured TSL parameters are used to calculate the nominal SAR result..

Measurement Conditions

DASY system configuration, as far as not given on page 1.

| | | |
|-------------------------------------|---------------------------|-------------|
| DASY Version | DASY4 | V4.7 |
| Extrapolation | Advanced Extrapolation | |
| Phantom | Modular Flat Phantom V4.9 | |
| Distance Dipole Center - TSL | 15 mm | with Spacer |
| Zoom Scan Resolution | dx, dy, dz = 5 mm | |
| Frequency | 835 MHz \pm 1 MHz | |

Head TSL parameters

The following parameters and calculations were applied.

| | Temperature | Permittivity | Conductivity |
|---|---------------------|----------------|----------------------|
| Nominal Head TSL parameters | 22.0 °C | 41.5 | 0.90 mho/m |
| Measured Head TSL parameters | (22.0 \pm 0.2) °C | 41.1 \pm 6 % | 0.91 mho/m \pm 6 % |
| Head TSL temperature during test | (21.5 \pm 0.2) °C | ---- | ---- |

SAR result with Head TSL

| SAR averaged over 1 cm³ (1 g) of Head TSL | Condition | |
|---|--------------------|--|
| SAR measured | 250 mW input power | 2.31 mW / g |
| SAR normalized | normalized to 1W | 9.24 mW / g |
| SAR for nominal Head TSL parameters ¹ | normalized to 1W | 9.13 mW / g \pm 17.0 % (k=2) |

| SAR averaged over 10 cm³ (10 g) of Head TSL | condition | |
|---|--------------------|--|
| SAR measured | 250 mW input power | 1.52 mW / g |
| SAR normalized | normalized to 1W | 6.08 mW / g |
| SAR for nominal Head TSL parameters ¹ | normalized to 1W | 6.03 mW / g \pm 16.5 % (k=2) |

¹ Correction to nominal TSL parameters according to d), chapter "SAR Sensitivities"

Body TSL parameters

The following parameters and calculations were applied.

| | Temperature | Permittivity | Conductivity |
|---|-----------------|--------------|------------------|
| Nominal Body TSL parameters | 22.0 °C | 55.2 | 0.97 mho/m |
| Measured Body TSL parameters | (22.0 ± 0.2) °C | 54.2 ± 6 % | 1.00 mho/m ± 6 % |
| Body TSL temperature during test | (22.0 ± 0.2) °C | --- | ---- |

SAR result with Body TSL

| SAR averaged over 1 cm³ (1 g) of Body TSL | Condition | |
|---|--------------------|-----------------------------------|
| SAR measured | 250 mW input power | 2.34 mW / g |
| SAR normalized | normalized to 1W | 9.36 mW / g |
| SAR for nominal Body TSL parameters ² | normalized to 1W | 9.08 mW / g ± 17.0 % (k=2) |

| SAR averaged over 10 cm³ (10 g) of Body TSL | condition | |
|---|--------------------|-----------------------------------|
| SAR measured | 250 mW input power | 1.55 mW / g |
| SAR normalized | normalized to 1W | 6.20 mW / g |
| SAR for nominal Body TSL parameters ² | normalized to 1W | 6.07 mW / g ± 16.5 % (k=2) |

² Correction to nominal TSL parameters according to d), chapter "SAR Sensitivities"

Appendix

Antenna Parameters with Head TSL

| | |
|--------------------------------------|--------------------------------|
| Impedance, transformed to feed point | 49.4 Ω - 5.6 j Ω |
| Return Loss | -24.9 dB |

Antenna Parameters with Body TSL

| | |
|--------------------------------------|--------------------------------|
| Impedance, transformed to feed point | 48.5 Ω - 6.9 j Ω |
| Return Loss | - 22.9 dB |

General Antenna Parameters and Design

| | |
|----------------------------------|---------|
| Electrical Delay (one direction) | 1.391ns |
|----------------------------------|---------|

After long term use with 100W radiated power, only a slight warming of the dipole near the feedpoint can be measured.

The dipole is made of standard semirigid coaxial cable. The center conductor of the feeding line is directly connected to the second arm of the dipole. The antenna is therefore short-circuited for DC-signals.

No excessive force must be applied to the dipole arms, because they might bend or the soldered connections near the feedpoint may be damaged.

Additional EUT Data

| | |
|-----------------|----------------|
| Manufactured by | SPEAG |
| Manufactured on | April 22, 2004 |

DASY4 Validation Report for Head TSL

Date/Time: 19.05.2008 12:37:00

DUT: Dipole 835 MHz; Type: D835V2; Serial: D835V2 - SN:4d021

Communication System: CW-835; Frequency: 835 MHz; Duty Cycle: 1:1

Medium: HSL 900 MHz;

Medium parameters used: $f = 835$ MHz; $\sigma = 0.909$ mho/m; $\epsilon_r = 41.9$; $\rho = 1000$ kg/m³

Phantom section: Flat Section

Measurement Standard: DASY4 (High Precision Assessment)

DASY4 Configuration:

- Probe: ES3DV2 - SN3025; ConvF(5.97, 5.97, 5.97); Calibrated: 28.04.2008
- Sensor-Surface: 3.4mm (Mechanical Surface Detection)
- Electronics: DAE4 Sn601; Calibrated: 14.03.2008
- Phantom: Flat Phantom 4.9L; Type: QD000P49AA; ;
- Measurement SW: DASY4, V4.7 Build 71; Postprocessing SW: SEMCAD, V1.8 Build 184

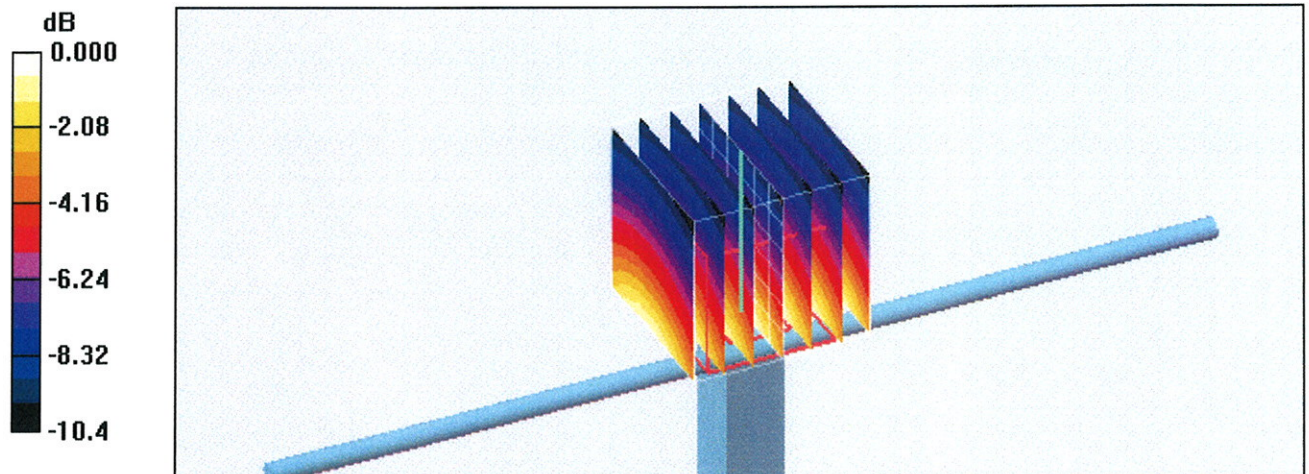
Pin=250mW; dip=15mm; dist=3.4mm/Zoom Scan (7x7x7)/Cube 0: Measurement grid: dx=5mm, dy=5mm, dz=5mm

Reference Value = 54.7 V/m; Power Drift = -0.010 dB

Peak SAR (extrapolated) = 3.37 W/kg

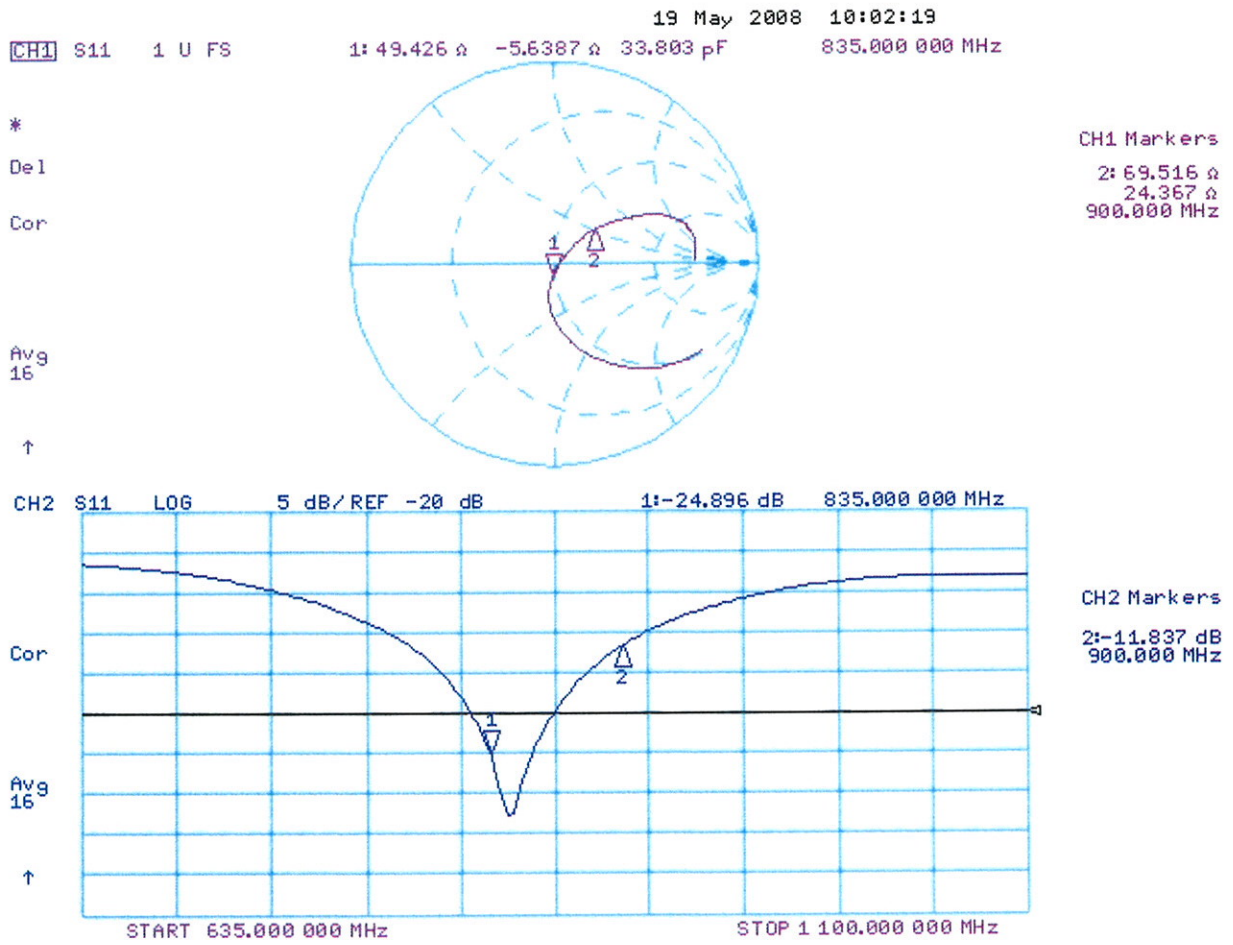
SAR(1 g) = 2.31 mW/g; SAR(10 g) = 1.52 mW/g

Maximum value of SAR (measured) = 2.58 mW/g



0 dB = 2.58mW/g

Impedance Measurement Plot for Head TSL



DASY4 Validation Report for Body TSL

Date/Time: 13.05.2008 14:51:57

DUT: Dipole 835 MHz; Type: D835V2; Serial: D835V2 - SN:4d021

Communication System: CW; Frequency: 835 MHz; Duty Cycle: 1:1

Medium: MSL900;

Medium parameters used: $f = 835$ MHz; $\sigma = 1$ mho/m; $\epsilon_r = 54.2$; $\rho = 1000$ kg/m³

Phantom section: Flat Section

Measurement Standard: DASY4 (High Precision Assessment)

DASY4 Configuration:

- Probe: ES3DV2 - SN3025; ConvF(5.9, 5.9, 5.9); Calibrated: 28.04.2008
- Sensor-Surface: 3.4mm (Mechanical Surface Detection)
- Electronics: DAE4 Sn601; Calibrated: 14.03.2008
- Phantom: Flat Phantom 4.9L; Type: QD000P49AA; ;
- Measurement SW: DASY4, V4.7 Build 71; Postprocessing SW: SEMCAD, V1.8 Build 184

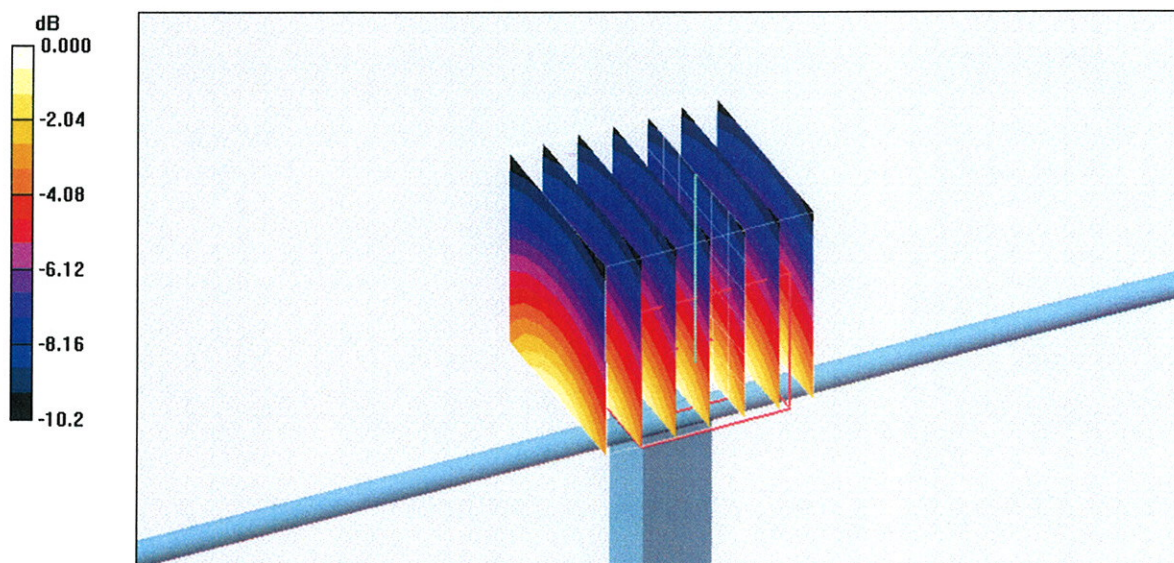
Pin = 250mW, d = 15mm/Zoom Scan (7x7x7)/Cube 0: Measurement grid: dx=5mm, dy=5mm, dz=5mm

Reference Value = 52.7 V/m; Power Drift = 0.005 dB

Peak SAR (extrapolated) = 3.38 W/kg

SAR(1 g) = 2.34 mW/g; SAR(10 g) = 1.55 mW/g

Maximum value of SAR (measured) = 2.65 mW/g



0 dB = 2.65mW/g

Impedance Measurement Plot for Body TSL

