

## FCC 47 CFR PART 15 SUBPART C

Product Type : Smartphone  
Applicant : HTC Corporation  
Address : No. 23, Xinghua Rd., Taoyuan City, Taoyuan County 330,  
Taiwan  
Trade Name : HTC  
Model Number : PM66100  
Test Specification : FCC 47 CFR PART 15 SUBPART C: Oct., 2011  
ANSI C63.4-2009  
Application Purpose: : Original  
Receive Date : Jun. 25, 2012  
Issue Date : Jul. 24, 2012

### Issue by

A Test Lab Techno Corp.  
No. 140-1, Changan Street, Bade City,  
Taoyuan County 334, Taiwan R.O.C.  
Tel : +886-3-2710188 / Fax : +886-3-2710190



Taiwan Accreditation Foundation accreditation number: 1330

**Note:** This report shall not be reproduced except in full, without the written approval of A Test Lab Techno Corp. This document may be altered or revised by A Test Lab Techno Corp. personnel only, and shall be noted in the revision section of the document. The client should not use it to claim product endorsement by TAF, or any government agencies. The test results in the report only apply to the tested sample.

**Revision History**

<b>Rev.</b>	<b>Issue Date</b>	<b>Revisions</b>	<b>Revised By</b>
00	Jul. 24, 2012	Initial Issue	

## Verification of Compliance

Issued Date: 07/24/2012

Product Type : Smartphone  
Applicant : HTC Corporation  
Address : No. 23, Xinghua Rd., Taoyuan City, Taoyuan County 330,  
Taiwan  
Trade Name : HTC  
Model Number : PM66100  
FCC ID : NM8PM66100  
EUT Rated Voltage : DC 5.0V, 1.0A  
Test Voltage : 120 Vac / 60 Hz  
Applicable Standard : FCC 47 CFR PART 15 SUBPART C: Oct., 2011  
ANSI C63.4-2009  
Test Result : Complied  
Application Purpose : Original  
Performing Lab. : A Test Lab Techno Corp.

No. 140-1, Changan Street, Bade City,  
Taoyuan County 334, Taiwan R.O.C.

Tel : +886-3-2710188 / Fax : +886-3-2710190

Taiwan Accreditation Foundation accreditation number:  
1330

<http://www.atl-lab.com.tw/e-index.htm>



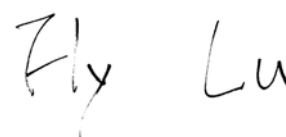
The above equipment was tested by A Test Lab Techno Corp. The test data, data evaluation, test procedures, and equipment configurations shown in this report were made in accordance with the procedures given in ANSI C63.4: 2009 and the energy emitted by the sample tested as described in this report is in compliance with the requirements of FCC Rules Part 15.207, 15.209, 15.247 .

The test results of this report relate only to the tested sample identified in this report.

Approved By : 

(Manager)

(Murphy Wang)

Reviewed By : 

(Testing Engineer)

(Fly Lu)

## TABLE OF CONTENTS

<b>1</b>	<b>General Information .....</b>	<b>6</b>
<b>2</b>	<b>EUT Description .....</b>	<b>7</b>
<b>3</b>	<b>Test Methodology.....</b>	<b>8</b>
3.1	Mode of Operation .....	8
3.2	EUT Exercise Software.....	10
3.3	Configuration of Test System Details.....	10
3.4	Test Site Environment.....	10
<b>4</b>	<b>Conducted Emission Measurement .....</b>	<b>11</b>
4.1	Limit .....	11
4.2	Test Instruments .....	11
4.3	Test Setup.....	11
4.4	Test Procedure.....	12
4.5	Test Result .....	13
<b>5</b>	<b>Radiated Interference Measurement .....</b>	<b>17</b>
5.1	Limit .....	17
5.2	Test Instruments .....	17
5.3	Setup.....	18
5.4	Test Procedure.....	19
5.5	Test Result .....	21
<b>6</b>	<b>Maximum Conducted Output Power Measurement.....</b>	<b>29</b>
6.1	Limit .....	29
6.2	Test Setup .....	29
6.3	Test Instruments .....	29
6.4	Test Procedure.....	29
6.5	Test Result .....	30
<b>7</b>	<b>Minimum 20dB RF Bandwidth Measurement .....</b>	<b>32</b>
7.1	Limit .....	32
7.2	Test Setup .....	32
7.3	Test Instruments .....	32
7.4	Test Procedure.....	32
7.5	Test Result .....	33
7.6	Test Graphs .....	34
<b>8</b>	<b>Carrier Frequency Separation Measurement .....</b>	<b>37</b>
8.1	Limit .....	37
8.2	Test Setup .....	37
8.3	Test Instruments .....	37
8.4	Test Procedure.....	38
8.5	Test Result .....	39
8.6	Test Graphs .....	40
<b>9</b>	<b>Number of Hopping Measurement .....</b>	<b>41</b>
9.1	Limit .....	41
9.2	Test Setup .....	41
9.3	Test Instruments .....	41
9.4	Test Procedure.....	41
9.5	Test Result .....	42
9.6	Test Graphs .....	43
<b>10</b>	<b>Time of Occupancy (Dwell Time) Measurement.....</b>	<b>46</b>
10.1	Limit .....	46
10.2	Test Setup.....	46
10.3	Test Instruments .....	46
10.4	Test Procedure.....	46
10.5	Test Result .....	47
10.6	Test Graphs .....	49

<b>11</b>	<b>6dB RF Bandwidth Measurement .....</b>	<b>51</b>
11.1	Limit.....	51
11.2	Test Setup .....	51
11.3	Test Instruments.....	51
11.4	Test Procedure.....	51
11.5	Test Result .....	52
11.6	Test Graphs.....	53
<b>12</b>	<b>Maximum Power Density Measurement.....</b>	<b>54</b>
12.1	Limit .....	54
12.2	Test Setup .....	54
12.3	Test Instruments .....	54
12.4	Test Procedure.....	54
12.5	Test Result .....	55
12.6	Test Graphs.....	56
<b>13</b>	<b>Out of Band Conducted Emissions Measurement .....</b>	<b>57</b>
13.1	Limit .....	57
13.2	Test Setup .....	57
13.3	Test Instruments .....	57
13.4	Test Procedure.....	57
13.5	Test Graphs .....	58
<b>14</b>	<b>Band Edges Measurement .....</b>	<b>61</b>
14.1	Limit .....	61
14.2	Test Setup.....	61
14.3	Test Instruments .....	61
14.4	Test Procedure.....	62
14.5	Test Result .....	63
<b>15</b>	<b>99 % Occupied Bandwidth Measurement.....</b>	<b>75</b>
15.1	Limit .....	75
15.2	Test Setup.....	75
15.3	Test Instruments .....	75
15.4	Test Procedure.....	75
15.5	Test Result .....	76
15.6	Test Graphs .....	77
<b>16</b>	<b>Antenna Measurement.....</b>	<b>80</b>
16.1	Limit .....	80
16.2	Antenna Connector Construction .....	80

## 1 General Information

### 1.1 Summary of Test Result

Standard		Item	Result	Remark
15.247	RSS-GEN			
15.207	7.2.2	AC Power Conducted Emission	PASS	-----
-----	6	Receiver Radiated Emissions	PASS	-----
Standard		Item	Result	Remark
15.247	RSS-210			
15.247(c)	A8.5	Transmitter Radiated Emissions	PASS	-----
15.247(b)(1)	A8.4 (2)	Max. Output Power	PASS	-----
15.247(a)(1)	A8.1 (1)	20dB RF Bandwidth	PASS	-----
15.247(a)(1)(iii)	A8.1 (2)	Carrier Frequency Separation	PASS	-----
15.247(a)(1)(iii)	A8.1 (4)	Number of Hopping	PASS	-----
15.247(a)(1)(iii)	A8.1 (4)	Time of Occupancy (Dwell Time)	PASS	-----
15.247(a)(2)	A8.2 (a)	6dB RF Bandwidth	PASS	Only for Bluetooth 4.0
15.247(e)	A8.2 (b)	Power Spectral Density	PASS	Only for Bluetooth 4.0
15.247(c)	A8.5	Out of Band Conducted Spurious Emission	PASS	-----
15.247(c)	A8.5	Band Edge Measurement	PASS	-----
15.203	-	Antenna Requirement	PASS	-----

The test results of this report relate only to the tested sample(s) identified in this report. Manufacturer or whom it may concern should recognize the pass or fail of the test result.

### 1.2 Measurement Uncertainty

#### Conducted Emission

The measurement uncertainty is evaluated as  $\pm 2.24$  dB.

#### Radiated Emission

The measurement uncertainty is evaluated as  $\pm 3.072$ dB.

## 2 EUT Description

Product	:	Smartphone			
Trade Name	:	HTC			
Model Number	:	PM66100			
Applicant	:	HTC Corporation No. 23, Xinghua Rd., Taoyuan City, Taoyuan County 330, Taiwan			
Manufacturer	:	HTC Corporation No. 23, Xinghua Rd., Taoyuan City, Taoyuan County 330, Taiwan			
IMEI Number	:	Sample 1 <sup>st</sup> : 358835040010180, Sample #2 <sup>nd</sup> : 358835040025634			
FCC ID	:	NM8PM66100			
Frequency Range	:	2402 ~ 2480 MHz			
Modulation Type	:	GFSK for 1Mbps $\pi/4$ -DQPSK for 2Mbps 8DPSK for 3Mbps			
Antenna Type	:	PIFA antenna			
Antenna Gain	:	0.8 dBi			
RF Output Power (Conducted)	:	Bluetooth v3.0_GFSK	1.00 dBm /	0.00126	W
		Bluetooth v3.0_ $\pi/4$ -DQPSK	0.65 dBm /	0.00116	W
		Bluetooth v3.0_8DPSK	1.18 dBm /	0.00131	W
		Bluetooth v4.0 LE	-2.29 dBm /	0.00059	W

### 3 Test Methodology

#### 3.1. Mode of Operation

Decision of Test ATL has verified the construction and function in typical operation. All the test modes were carried out with the EUT in normal operation, which was shown in this test report and defined as:

Test Mode
Mode 1: IDLE Mode
Mode 2: Normal Operation Mode
Mode 3: Bluetooth v3.0_GFSK Link Mode
Mode 4: Bluetooth v3.0_π/4-DQPSK Link Mode
Mode 5: Bluetooth v3.0_8DPSK Link Mode
Mode 6: Bluetooth v4.0 LE Link Mode
Mode 7: Receiver Mode

By preliminary testing and verifying three axis (X, Y and Z) position of EUT transmitted status, it was found that "X axis" position was the worst, then the final test was executed the worst condition and test data were recorded in this report.



### Description of Test Modes

Preliminary tests were performed in different modulation to find the worst case. The modulation shown in the table below is the worst-case. Investigation has been done on all the possible configurations for searching the worst cases. The following table is a list of the test modes shown in this test report.

Modulation Type	Channel	Frequency (MHz)	Packet Type	Peak Conducted Power		Worst Case
				(dBm)	(W)	
Bluetooth v3.0_GFSK	Low	2402	DH1	-0.06	0.00099	<input type="checkbox"/>
	Low	2402	DH3	-0.10	0.00098	<input type="checkbox"/>
	Low	2402	DH5	-0.14	0.00097	<input type="checkbox"/>
	Middle	2441	DH1	0.93	0.00124	<input type="checkbox"/>
	Middle	2441	DH3	0.98	0.00125	<input type="checkbox"/>
	Middle	2441	DH5	1.00	0.00126	<input type="checkbox"/>
	High	2480	DH1	0.92	0.00124	<input type="checkbox"/>
	High	2480	DH3	0.86	0.00122	<input type="checkbox"/>
	High	2480	DH5	0.68	0.00117	<input type="checkbox"/>
Bluetooth v3.0_π/4-DQPSK	Low	2402	2DH1	-0.29	0.00094	<input type="checkbox"/>
	Low	2402	2DH3	-0.22	0.00095	<input type="checkbox"/>
	Low	2402	2DH5	-0.27	0.00094	<input type="checkbox"/>
	Middle	2441	2DH1	0.64	0.00116	<input type="checkbox"/>
	Middle	2441	2DH3	0.59	0.00115	<input type="checkbox"/>
	Middle	2441	2DH5	0.65	0.00116	<input type="checkbox"/>
	High	2480	2DH1	0.55	0.00114	<input type="checkbox"/>
	High	2480	2DH3	0.57	0.00114	<input type="checkbox"/>
	High	2480	2DH5	0.63	0.00116	<input type="checkbox"/>
Bluetooth v3.0_8DPSK	Low	2402	3DH1	0.02	0.00100	<input type="checkbox"/>
	Low	2402	3DH3	0.14	0.00103	<input type="checkbox"/>
	Low	2402	3DH5	0.15	0.00104	<input type="checkbox"/>
	Middle	2441	3DH1	1.03	0.00127	<input type="checkbox"/>
	Middle	2441	3DH3	1.14	0.00130	<input type="checkbox"/>
	Middle	2441	3DH5	1.18	0.00131	<input checked="" type="checkbox"/>
	High	2480	3DH1	0.99	0.00126	<input type="checkbox"/>
	High	2480	3DH3	1.07	0.00128	<input type="checkbox"/>
	High	2480	3DH5	1.13	0.00130	<input type="checkbox"/>
Bluetooth v4.0 LE	Low	2402	---	-3.05	0.00050	<input type="checkbox"/>
	Middle	2440	---	-2.29	0.00059	<input checked="" type="checkbox"/>
	High	2480	---	-2.48	0.00056	<input type="checkbox"/>

### Tested System Details

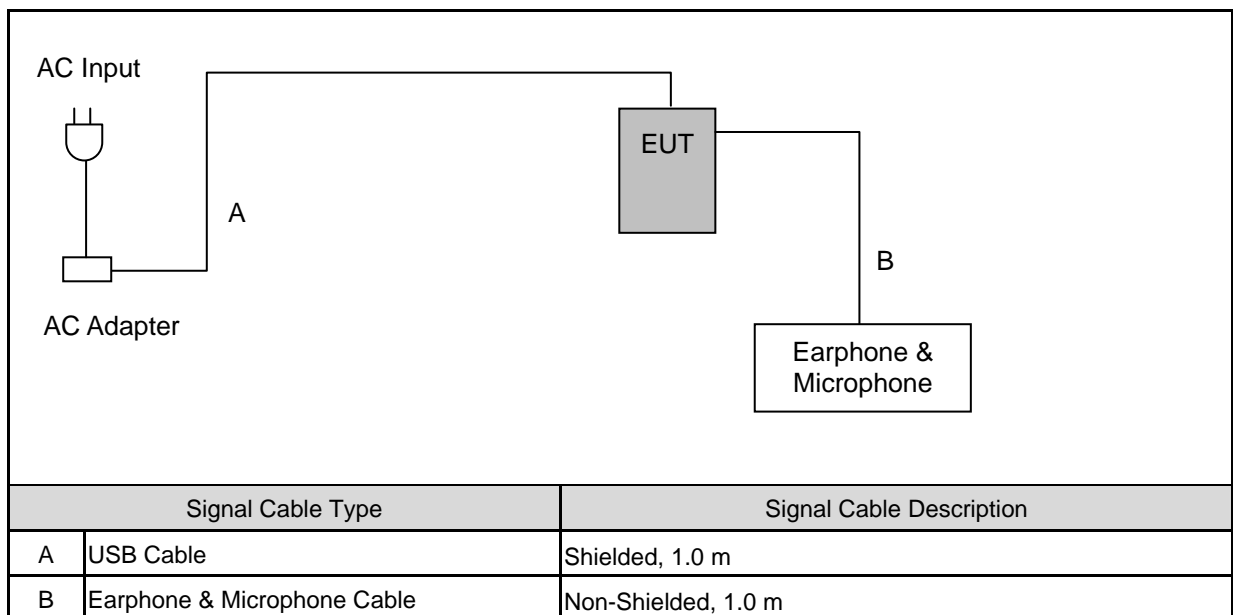
The types for all equipments, plus descriptions of all cables used in the tested system (including inserted cards) are:

	Product	Manufacturer	Model Number	Serial Number	Power Cord
1.	Bluetooth Tester	R & S	CBT	100350	NA

### 3.2. EUT Exercise Software

1.	Setup the EUT and Bluetooth Tester (CBT) as shown on 3.3.
2.	Turn on the power of all equipment.
3.	EUT run test program.
4.	Open Bluetooth function link to CBT.

### 3.3. Configuration of Test System Details



### 3.4. Test Site Environment

Items	Required (IEC 68-1)	Actual
Temperature (°C)	15-35	26
Humidity (%RH)	25-75	60
Barometric pressure (mbar)	860-1060	950

## 4 Conducted Emission Measurement

### 4.1. Limit

Frequency (MHz)	Quasi-peak	Average
0.15 – 0.5	66 to 56	56 to 46
0.50 – 5.0	56	46
5.0 – 30.0	60	50

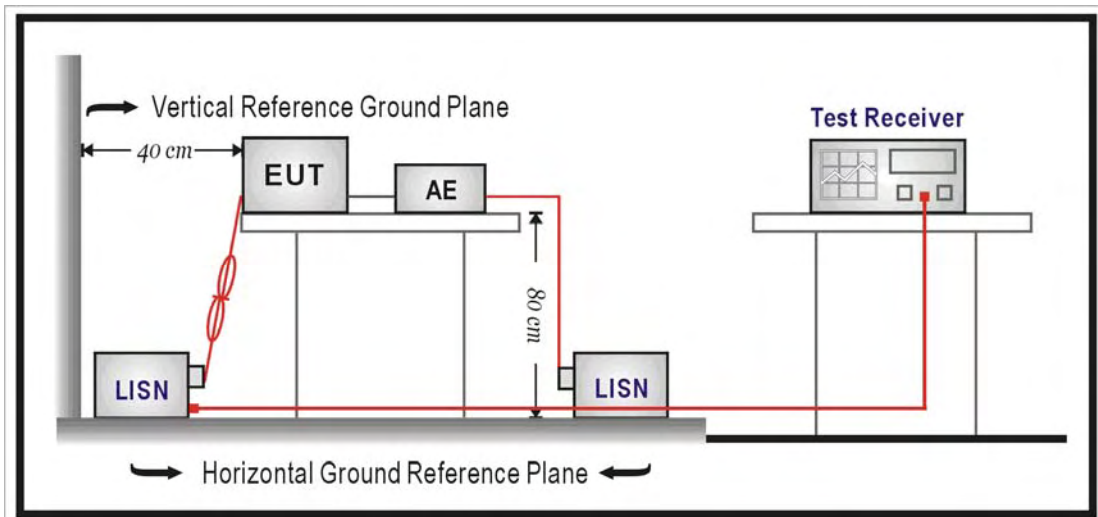
### 4.2. Test Instruments

Describe	Manufacturer	Model Number	Serial Number	Cal. Date	Remark
Test Receiver	R&S	ESCI	100367	06/18/2012	(1)
LISN	R&S	ENV216	101040	03/07/2012	(1)
LISN	R&S	ENV216	101041	03/07/2012	(1)
Test Site	ATL	TE05	TE05	N.C.R.	-----

Remark: (1) Calibration period 1 year. (2) Calibration period 2 years.

NOTE: N.C.R. = No Calibration Request.

### 4.3. Test Setup



#### **4.4. Test Procedure**

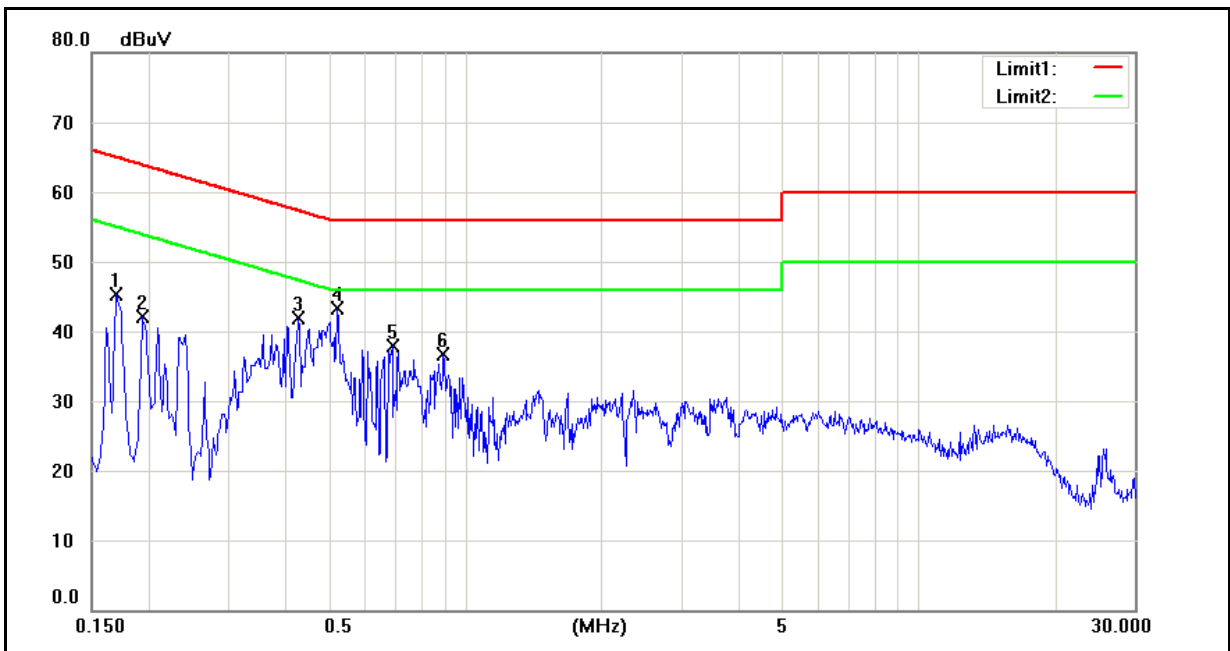
The power line conducted emission measurements were performed in a shielded enclosure. The EUT was assembled on a wooden table which is 80 centimeters high, was placed 40 centimeters from the back wall and at least 1 meter from the sidewall.

Power was fed to the EUT from the public utility power grid through a line filter and EMCO Model 3162/2 SH Line Impedance Stabilization Networks (LISN). The LISN housing, measuring instrumentation case, ground plane, etc., were electrically bonded together at the same RF potential. The Spectrum analyzer was connected to the AC line through an isolation transformer. The 50-ohm output of the LISN was connected to the spectrum analyzer directly. Conducted emission levels were in the CISPR quasi-peak detection mode. The analyzer's 6 dB bandwidth was set to 9 KHz. No post-detector video filter was used.

The spectrum was scanned from 150 KHz to 30 MHz. The physical arrangement of the test system and associated cabling was varied (within the scope of arrangements likely to be encountered in actual use) to determine the effect on the unit's emanations in amplitude and frequency. All spurious emission frequencies were observed. The highest emission amplitudes relative to the appropriate limit were measured and have been recorded in paragraph 4.1.

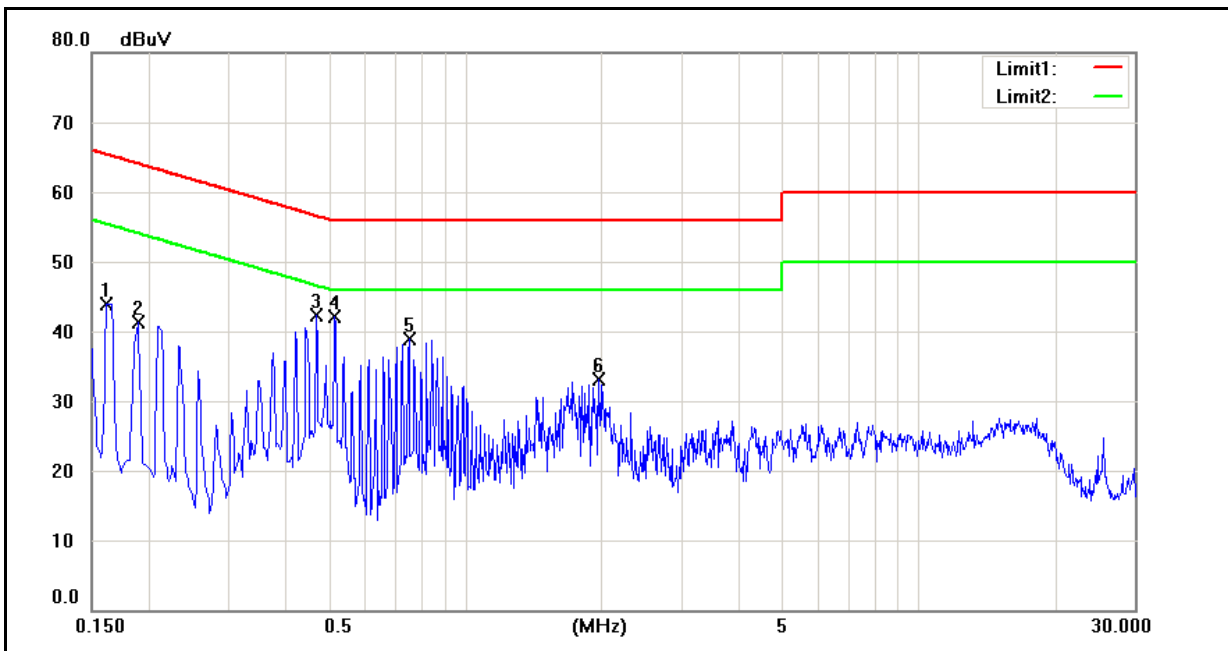
#### 4.5. Test Result

Standard:	FCC Part 15C	Line:	L1
Test item:	Conducted Emission	Power:	AC 120V/60Hz
Model Number:	PM66100	Temp.(°C)/Hum.(%RH):	26(°C)/60%RH
Mode:	Mode 1 (Sample 1 <sup>st</sup> )	Date:	07/09/2012
		Test By:	Fly Lu
Description:			



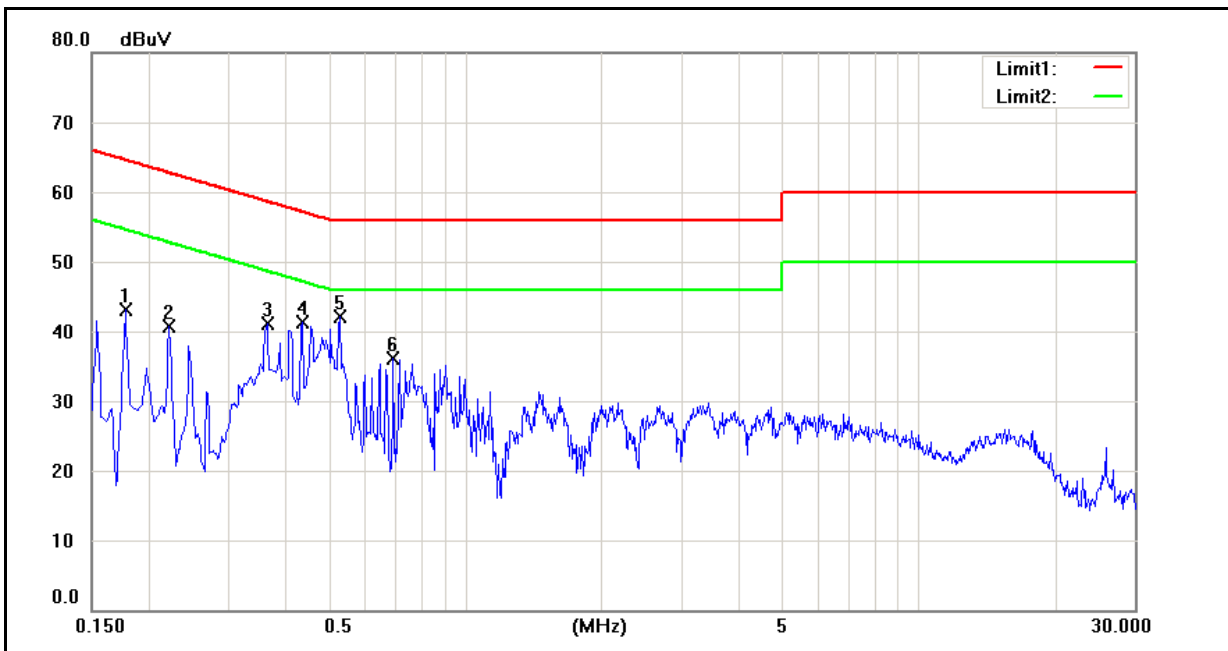
No.	Frequency (MHz)	QP reading (dBuV)	AVG reading (dBuV)	Correction factor (dB)	QP result (dBuV)	AVG result (dBuV)	QP limit (dBuV)	AVG limit (dBuV)	QP margin (dB)	AVG margin (dB)	Remark
1	0.1700	31.07	14.81	9.72	40.79	24.53	64.96	54.96	-24.17	-30.43	Pass
2	0.1940	30.43	16.82	9.72	40.15	26.54	63.86	53.86	-23.71	-27.32	Pass
3	0.4300	26.66	15.40	9.72	36.38	25.12	57.25	47.25	-20.87	-22.13	Pass
4	0.5220	28.39	18.66	9.72	38.11	28.38	56.00	46.00	-17.89	-17.62	Pass
5	0.6900	20.88	6.44	9.72	30.60	16.16	56.00	46.00	-25.40	-29.84	Pass
6	0.8980	21.44	16.92	9.72	31.16	26.64	56.00	46.00	-24.84	-19.36	Pass

Standard:	FCC Part 15C	Line:	N
Test item:	Conducted Emission	Power:	AC 120V/60Hz
Model Number:	PM66100	Temp.(°C)/Hum.(%RH):	26(°C)/60%RH
Mode:	Mode 1 (Sample 1 <sup>st</sup> )	Date:	07/09/2012
		Test By:	Fly Lu
Description:			



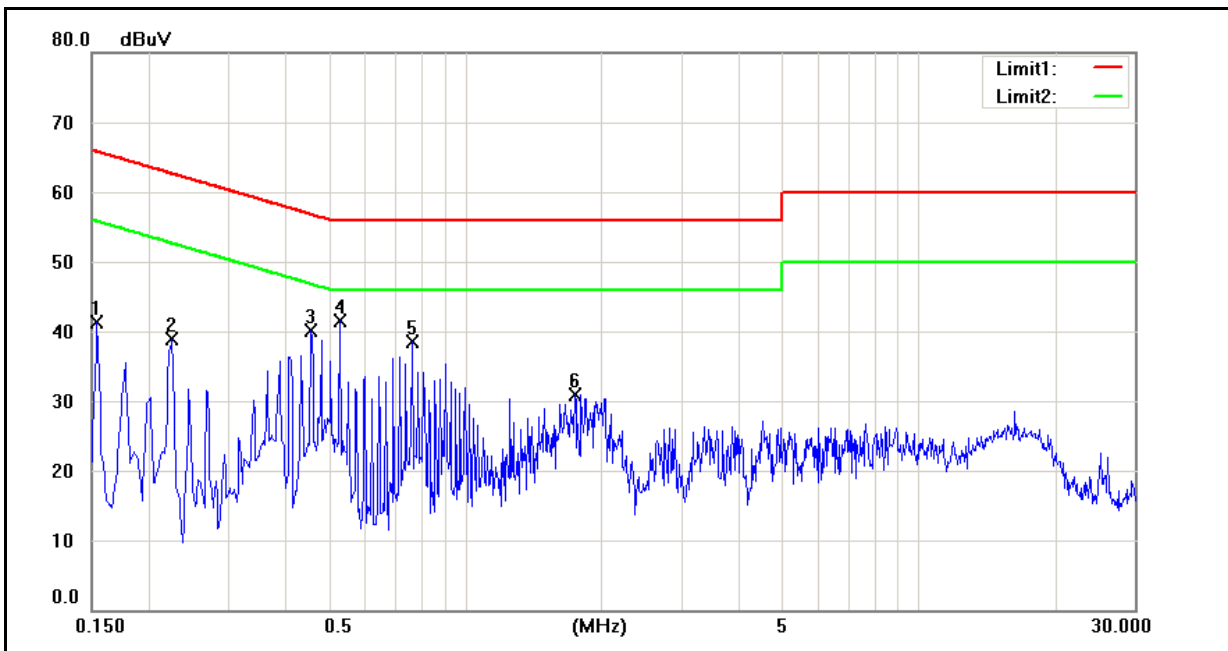
No.	Frequency (MHz)	QP reading (dBuV)	AVG reading (dBuV)	Correction factor (dB)	QP result (dBuV)	AVG result (dBuV)	QP limit (dBuV)	AVG limit (dBuV)	QP margin (dB)	AVG margin (dB)	Remark
1	0.1620	31.18	12.71	9.65	40.83	22.36	65.36	55.36	-24.53	-33.00	Pass
2	0.1900	29.54	11.58	9.64	39.18	21.22	64.04	54.04	-24.86	-32.82	Pass
3	0.4700	26.85	12.11	9.64	36.49	21.75	56.51	46.51	-20.02	-24.76	Pass
4	0.5180	26.95	12.25	9.64	36.59	21.89	56.00	46.00	-19.41	-24.11	Pass
5	0.7540	23.24	9.12	9.67	32.91	18.79	56.00	46.00	-23.09	-27.21	Pass
6	1.9740	20.09	10.95	9.72	29.81	20.67	56.00	46.00	-26.19	-25.33	Pass

Standard:	FCC Part 15C	Line:	L1
Test item:	Conducted Emission	Power:	AC 120V/60Hz
Model Number:	PM66100	Temp.(°C)/Hum.(%RH):	26(°C)/60%RH
Mode:	Mode 2 (Sample 1 <sup>st</sup> )	Date:	07/09/2012
		Test By:	Fly Lu
Description:			



No.	Frequency (MHz)	QP reading (dBuV)	AVG reading (dBuV)	Correction factor (dB)	QP result (dBuV)	AVG result (dBuV)	QP limit (dBuV)	AVG limit (dBuV)	QP margin (dB)	AVG margin (dB)	Remark
1	0.1780	28.55	12.13	9.72	38.27	21.85	64.58	54.58	-26.31	-32.73	Pass
2	0.2220	27.99	13.41	9.72	37.71	23.13	62.74	52.74	-25.03	-29.61	Pass
3	0.3660	24.24	18.08	9.72	33.96	27.80	58.59	48.59	-24.63	-20.79	Pass
4	0.4380	25.74	15.16	9.72	35.46	24.88	57.10	47.10	-21.64	-22.22	Pass
5	0.5300	26.16	18.24	9.72	35.88	27.96	56.00	46.00	-20.12	-18.04	Pass
6	0.6940	21.53	8.44	9.72	31.25	18.16	56.00	46.00	-24.75	-27.84	Pass

Standard:	FCC Part 15C	Line:	N
Test item:	Conducted Emission	Power:	AC 120V/60Hz
Model Number:	PM66100	Temp.(°C)/Hum.(%RH):	26(°C)/60%RH
Mode:	Mode 2 (Sample 1 <sup>st</sup> )	Date:	07/09/2012
		Test By:	Fly Lu
Description:			



No.	Frequency (MHz)	QP reading (dBuV)	AVG reading (dBuV)	Correction factor (dB)	QP result (dBuV)	AVG result (dBuV)	QP limit (dBuV)	AVG limit (dBuV)	QP margin (dB)	AVG margin (dB)	Remark
1	0.1540	30.48	13.93	9.65	40.13	23.58	65.78	55.78	-25.65	-32.20	Pass
2	0.2260	24.19	4.68	9.64	33.83	14.32	62.60	52.60	-28.77	-38.28	Pass
3	0.4580	27.04	11.00	9.64	36.68	20.64	56.73	46.73	-20.05	-26.09	Pass
4	0.5300	27.21	11.92	9.64	36.85	21.56	56.00	46.00	-19.15	-24.44	Pass
5	0.7660	23.13	9.20	9.67	32.80	18.87	56.00	46.00	-23.20	-27.13	Pass
6	1.7500	18.32	8.87	9.71	28.03	18.58	56.00	46.00	-27.97	-27.42	Pass



## 5 Radiated Interference Measurement

### 5.1. Limit

According to §15.209(a), except as provided elsewhere in this subpart, the emissions from an intentional radiator shall not exceed the field strength levels specified in the following table:

Frequency (MHz)	Field Strength ( $\mu\text{V}/\text{m}$ at meter)	Measurement Distance (meters)
0.009 – 0.490	2400 / F (kHz)	300
0.490 – 1.705	24000 / F (kHz)	30
1.705 – 30.0	30	30
30 - 88	100**	3
88-216	150**	3
216-960	200**	3
Above 960	500	3

\*\* Except as provided in paragraph (g), fundamental emissions from intentional radiators operating under this Section shall not be located in the frequency bands 54-72 MHz, 76-88 MHz, 174-216 MHz or 470-806 MHz. However, operation within these frequency bands is permitted under other sections of this Part, e.g., Sections 15.231 and 15.241.

### 5.2. Test Instruments

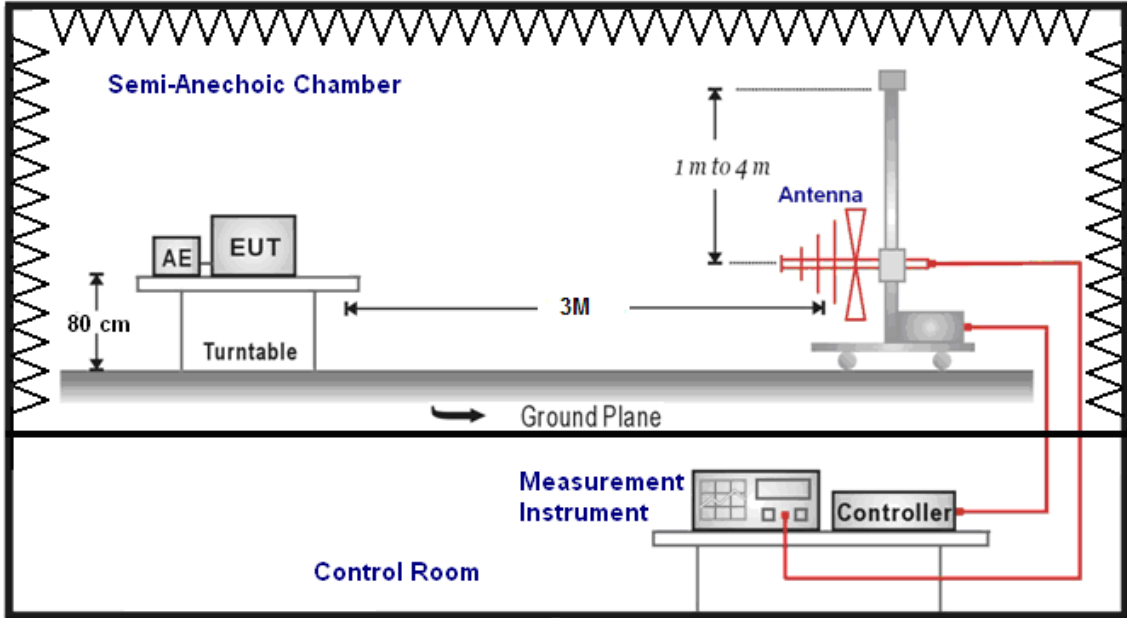
3 Meter Chamber					
Equipment	Manufacturer	Model Number	Serial Number	Cal. Date	Remark
RF Pre-selector	Agilent	N9039A	MY46520256	01/16/2012	(1)
Spectrum Analyzer	Agilent	E4446A	MY46180578	01/16/2012	(1)
Pre Amplifier	Agilent	8449B	3008A02237	02/22/2012	(1)
Pre Amplifier	Agilent	8447D	2944A10961	02/22/2012	(1)
Broadband Antenna (30MHz~1GHz)	SCHWARZBECK MESS-ELEKTRONIK	VULB9163	9163-270	07/29/2011	(1)
Horn Antenna (1~18GHz)	SCHWARZBECK MESS-ELEKTRONIK	BBHA9120D	9120D-550	06/15/2012	(1)
Horn Antenna (18~40GHz)	SCHWARZBECK MESS-ELEKTRONIK	BBHA9170	9170-320	06/21/2012	(1)
Loop Antenna	COM-POWER CORPORATION	AL-130	121014	08/14/2009	(3)
Test Site	ATL	TE01	888001	12/20/2011	(1)

Remark: (1) Calibration period 1 year. (2) Calibration period 2 years. (3) Calibration period 3 years.

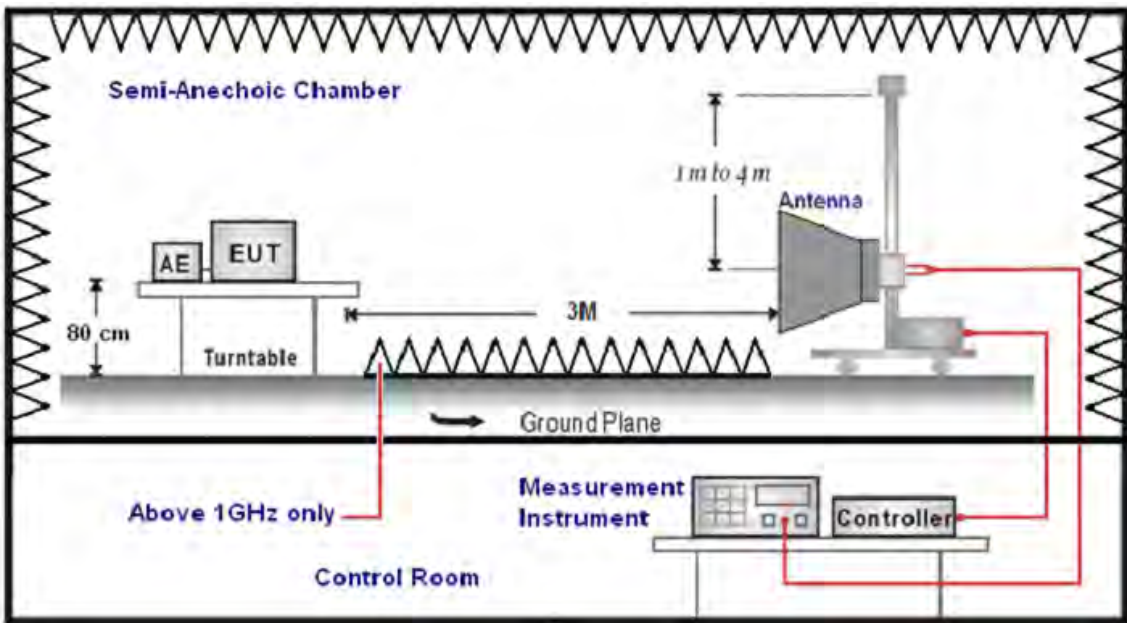
NOTE: N.C.R. = No Calibration Request.

### 5.3. Setup

Below 1GHz



Above 1GHz



#### 5.4. Test Procedure

Final radiation measurements were made on a three-meter, Semi Anechoic Chamber. The EUT system was placed on a nonconductive turntable which is 0.8 meters height, top surface 1.0 x 1.5 meter. The spectrum was examined from 250 MHz to 2.5 GHz in order to cover the whole spectrum below 10th harmonic which could generate from the EUT. During the test, EUT was set to transmit continuously & Measurements spectrum range from 9 kHz to 26.5 GHz is investigated.

For measurements below 1 GHz the resolution bandwidth is set to 100 kHz for peak detection measurements or 120 kHz for quasi-peak detection measurements. Peak detection is used unless otherwise noted as quasi-peak.

For measurements above 1 GHz the resolution bandwidth is set to 1 MHz, and then the video bandwidth is set to 1 MHz for peak measurements and 10 Hz for average measurements.

A nonconductive material surrounded the EUT to supporting the EUT for standing on three orthogonal planes. At each condition, the EUT was rotated 360 degrees, and the antenna was raised and lowered from one to four meters to find the maximum emission levels. Measurements were taken using both horizontal and vertical antenna polarization.

SCHWARZBECK MESS-ELEKTRONIK Biconilog Antenna (mode VULB9163) at 3 Meter and the SCHWARZBECK Double Ridged Guide Antenna (model BBHA9120D&9170) was used in frequencies 1 – 26.5 GHz at a distance of 1 meter. All test results were extrapolated to equivalent signal at 3 meters utilizing an inverse linear distance extrapolation Factor (20dB/decade).

For testing above 1GHz, the emission level of the EUT in peak mode was 20dB lower than average limit (that means the emission level in peak mode also complies with the limit in average mode), then testing will be stopped and peak values of EUT will be reported, otherwise, the emissions will be measured in average mode again and reported.

Appropriate preamplifiers were used for improving sensitivity and precautions were taken to avoid overloading or desensitizing the spectrum analyzer. No post – detector video filters were used in the test.

The spectrum analyzer's 6 dB bandwidth was set to 1 MHz, and the analyzer was operated in the peak detection mode, for frequencies both below and up 1 GHz. The average levels were obtained by subtracting the duty cycle correction factor from the peak readings.

The following procedures were used to convert the emission levels measured in decibels referenced to 1 microvolt (dBuV) into field intensity in micro volts pre meter (uV/m).

The actual field intensity in decibels referenced to 1 microvolt in to field intensity in micro volts per meter (dBuV/m).

The actual field intensity in referenced to 1 microvolt per meter (dBuV/m) is determined by algebraically adding the measured reading in dBuV, the antenna factor (dB), and cable loss (dB) and Subtracting the gain of preamplifier (dB) is auto calculate in spectrum analyzer.

(1) Amplitude (dBuV/m) = FI (dBuV) +AF (dBuV) +CL (dBuV)-Gain (dB)

FI= Reading of the field intensity.

AF= Antenna factor.

CL= Cable loss.

P.S Amplitude is auto calculate in spectrum analyzer.

(2) Actual Amplitude (dBuV/m) = Amplitude (dBuV)-Dis(dB)

The FCC specified emission limits were calculated according the EUT operating frequency and by following linear interpolation equations:

(a) For fundamental frequency : Transmitter Output < +30dBm

(b) For spurious frequency : Spurious emission limits = fundamental emission limit /10

Data of measurement within this frequency range without mark in the table above means the reading of emissions are attenuated more than 20dB below the permissible limits or the field strength is too small to be measured.

## 5.5. Test Result

### Below 1GHz

Standard:	FCC Part 15C	Test Distance:	3m
Test item:	Radiated Emission	Power:	AC 120V/60Hz
Model Number:	PM66100	Temp.(°C)/Hum.(%RH):	26(°C)/60%RH
Mode:	Mode 2 (Sample 1 <sup>st</sup> )	Date:	07/11/2012
Ant.Polar.:	Horizontal	Test By:	Fly Lu

No.	Frequency (MHz)	Reading (dBuV)	Correct Factor(dB/m)	Result (dBuV/m)	Limit (dBuV/m)	Margin (dB)	Remark
1	215.0000	43.46	-13.77	29.69	43.50	-13.81	QP
2	399.5000	40.60	-8.70	31.90	46.00	-14.10	QP
3	530.0000	35.05	-6.81	28.24	46.00	-17.76	QP
4	666.5000	32.34	-3.92	28.42	46.00	-17.58	QP
5	750.0000	32.18	-2.26	29.92	46.00	-16.08	QP
6	796.5000	33.91	-1.60	32.31	46.00	-13.69	QP

Standard:	FCC Part 15C	Test Distance:	3m
Test item:	Radiated Emission	Power:	AC 120V/60Hz
Model Number:	PM66100	Temp.(°C)/Hum.(%RH):	26(°C)/60%RH
Mode:	Mode 2 (Sample 1 <sup>st</sup> )	Date:	07/11/2012
Ant.Polar.:	Vertical	Test By:	Fly Lu

No.	Frequency (MHz)	Reading (dBuV)	Correct Factor(dB/m)	Result (dBuV/m)	Limit (dBuV/m)	Margin (dB)	Remark
1	215.0000	39.07	-13.77	25.30	43.50	-18.20	QP
2	400.0000	45.28	-8.70	36.58	46.00	-9.42	QP
3	501.0000	40.05	-6.88	33.17	46.00	-12.83	QP
4	529.5000	40.99	-6.56	34.43	46.00	-11.57	QP
5	796.5000	34.80	-1.60	33.20	46.00	-12.80	QP
6	975.5000	33.14	1.36	34.50	54.00	-19.50	QP

Note: No emission found between lowest internal used/generated frequency to 30MHz (9kHz~30MHz).

Standard:	FCC Part 15C	Test Distance:	3m
Test item:	Radiated Emission	Power:	AC 120V/60Hz
Model Number:	PM66100	Temp.(°C)/Hum.(%RH):	26(°C)/60%RH
Mode:	Mode 2 (Sample 2 <sup>nd</sup> )	Date:	07/18/2012
Ant.Polar.:	Horizontal	Test By:	Fly Lu

No.	Frequency (MHz)	Reading (dBuV)	Correct Factor(dB/m)	Result (dBuV/m)	Limit (dBuV/m)	Margin (dB)	Remark
1	55.0000	34.84	-12.07	22.77	40.00	-17.23	QP
2	171.0000	38.47	-15.91	22.56	43.50	-20.94	QP
3	299.0000	37.72	-10.56	27.16	46.00	-18.84	QP
4	362.5000	34.40	-8.74	25.66	46.00	-20.34	QP
5	682.0000	30.43	-3.68	26.75	46.00	-19.25	QP
6	837.5000	26.42	-1.06	25.36	46.00	-20.64	QP

Standard:	FCC Part 15C	Test Distance:	3m
Test item:	Radiated Emission	Power:	AC 120V/60Hz
Model Number:	PM66100	Temp.(°C)/Hum.(%RH):	26(°C)/60%RH
Mode:	Mode 2 (Sample 2 <sup>nd</sup> )	Date:	07/11/2012
Ant.Polar.:	Vertical	Test By:	Fly Lu

No.	Frequency (MHz)	Reading (dBuV)	Correct Factor(dB/m)	Result (dBuV/m)	Limit (dBuV/m)	Margin (dB)	Remark
1	54.0000	41.63	-12.01	29.62	40.00	-10.38	QP
2	229.5000	34.06	-12.69	21.37	46.00	-24.63	QP
3	311.0000	32.98	-10.16	22.82	46.00	-23.18	QP
4	421.5000	29.96	-8.45	21.51	46.00	-24.49	QP
5	681.5000	29.73	-3.69	26.04	46.00	-19.96	QP
6	820.5000	27.89	-1.27	26.62	46.00	-19.38	QP

Note: No emission found between lowest internal used/generated frequency to 30MHz (9kHz~30MHz).

**Above 1GHz**

Standard:	FCC Part 15C			Test Distance:	3m		
Test item:	Radiated Emission			Power:	AC 120V/60Hz		
Model Number:	PM66100			Temp.(°C)/Hum.(%RH):	26(°C)/60%RH		
Mode:	Mode 3 (Sample 1 <sup>st</sup> )			Date:	07/11/2012		
Frequency:	2402 MHz			Test By:	Fly Lu		
Frequency (MHz)	Reading (dBuV)	Correct Factor(dB/m)	Result (dBuV/m)	Limit (dBuV/m)	Margin (dB)	Remark	Ant.Polar. H / V
3247.000	37.91	2.75	40.66	74.00	-33.34	peak	H
4472.000	37.02	6.86	43.88	74.00	-30.12	peak	H
5935.000	34.56	10.75	45.31	74.00	-28.69	peak	H
3100.000	39.15	2.42	41.57	74.00	-32.43	peak	V
4367.000	35.99	6.52	42.51	74.00	-31.49	peak	V
6523.000	34.34	13.16	47.50	74.00	-26.50	peak	V

Standard:	FCC Part 15C			Test Distance:	3m		
Test item:	Radiated Emission			Power:	AC 120V/60Hz		
Model Number:	PM66100			Temp.(°C)/Hum.(%RH):	26(°C)/60%RH		
Mode:	Mode 3 (Sample 1 <sup>st</sup> )			Date:	07/11/2012		
Frequency:	2441 MHz			Test By:	Fly Lu		
Frequency (MHz)	Reading (dBuV)	Correct Factor(dB/m)	Result (dBuV/m)	Limit (dBuV/m)	Margin (dB)	Remark	Ant.Polar. H / V
3037.000	38.27	2.28	40.55	74.00	-33.45	peak	H
4416.000	36.93	6.67	43.60	74.00	-30.40	peak	H
6089.000	34.14	11.26	45.40	74.00	-28.60	peak	H
3058.000	38.50	2.32	40.82	74.00	-33.18	peak	V
4283.000	36.49	6.25	42.74	74.00	-31.26	peak	V
5697.000	34.73	10.34	45.07	74.00	-28.93	peak	V

Standard:	FCC Part 15C			Test Distance:	3m		
Test item:	Radiated Emission			Power:	AC 120V/60Hz		
Model Number:	PM66100			Temp.(°C)/Hum.(%RH):	26(°C)/60%RH		
Mode:	Mode 3 (Sample 1 <sup>st</sup> )			Date:	07/11/2012		
Frequency:	2480 MHz			Test By:	Fly Lu		
Frequency (MHz)	Reading (dBuV)	Correct Factor(dB/m)	Result (dBuV/m)	Limit (dBuV/m)	Margin (dB)	Remark	Ant.Polar. H / V
3198.000	37.44	2.64	40.08	74.00	-33.92	peak	H
4465.000	35.98	6.84	42.82	74.00	-31.18	peak	H
6110.000	33.56	11.35	44.91	74.00	-29.09	peak	H
3254.000	37.55	2.76	40.31	74.00	-33.69	peak	V
4346.000	35.81	6.45	42.26	74.00	-31.74	peak	V
5984.000	35.17	10.83	46.00	74.00	-28.00	peak	V

Standard:	FCC Part 15C			Test Distance:	3m		
Test item:	Radiated Emission			Power:	AC 120V/60Hz		
Model Number:	PM66100			Temp.(°C)/Hum.(%RH):	26(°C)/60%RH		
Mode:	Mode 5 (Sample 1 <sup>st</sup> )			Date:	07/11/2012		
Frequency:	2402 MHz			Test By:	Fly Lu		
Frequency (MHz)	Reading (dBuV)	Correct Factor(dB/m)	Result (dBuV/m)	Limit (dBuV/m)	Margin (dB)	Remark	Ant.Polar. H / V
3079.000	37.89	2.38	40.27	74.00	-33.73	peak	H
4598.000	35.96	7.26	43.22	74.00	-30.78	peak	H
6138.000	35.05	11.47	46.52	74.00	-27.48	peak	H
3009.000	37.90	2.22	40.12	74.00	-33.88	peak	V
4332.000	36.59	6.41	43.00	74.00	-31.00	peak	V
5872.000	35.06	10.64	45.70	74.00	-28.30	peak	V



Standard:	FCC Part 15C			Test Distance:	3m		
Test item:	Radiated Emission			Power:	AC 120V/60Hz		
Model Number:	PM66100			Temp.(°C)/Hum.(%RH):	26(°C)/60%RH		
Mode:	Mode 5 (Sample 1 <sup>st</sup> )			Date:	07/11/2012		
Frequency:	2441 MHz			Test By:	Fly Lu		
Frequency (MHz)	Reading (dBuV)	Correct Factor(dB/m)	Result (dBuV/m)	Limit (dBuV/m)	Margin (dB)	Remark	Ant.Polar. H / V
3100.000	38.15	2.42	40.57	74.00	-33.43	peak	H
4430.000	36.16	6.72	42.88	74.00	-31.12	peak	H
6012.000	34.83	10.92	45.75	74.00	-28.25	peak	H
3037.000	37.74	2.28	40.02	74.00	-33.98	peak	V
4423.000	37.15	6.70	43.85	74.00	-30.15	peak	V
5942.000	34.73	10.76	45.49	74.00	-28.51	peak	V

Standard:	FCC Part 15C			Test Distance:	3m		
Test item:	Radiated Emission			Power:	AC 120V/60Hz		
Model Number:	PM66100			Temp.(°C)/Hum.(%RH):	26(°C)/60%RH		
Mode:	Mode 5 (Sample 1 <sup>st</sup> )			Date:	07/11/2012		
Frequency:	2480 MHz			Test By:	Fly Lu		
Frequency (MHz)	Reading (dBuV)	Correct Factor(dB/m)	Result (dBuV/m)	Limit (dBuV/m)	Margin (dB)	Remark	Ant.Polar. H / V
2862.000	37.77	1.71	39.48	74.00	-34.52	peak	H
4360.000	36.13	6.50	42.63	74.00	-31.37	peak	H
6145.000	34.83	11.50	46.33	74.00	-27.67	peak	H
3037.000	38.33	2.28	40.61	74.00	-33.39	peak	V
4297.000	36.75	6.29	43.04	74.00	-30.96	peak	V
5802.000	35.33	10.52	45.85	74.00	-28.15	peak	V

Standard:	FCC Part 15C			Test Distance:	3m		
Test item:	Radiated Emission			Power:	AC 120V/60Hz		
Model Number:	PM66100			Temp.(°C)/Hum.(%RH):	26(°C)/60%RH		
Mode:	Mode 6 (Sample 1 <sup>st</sup> )			Date:	07/11/2012		
Frequency:	2402 MHz			Test By:	Fly Lu		
Frequency (MHz)	Reading (dBuV)	Correct Factor(dB/m)	Result (dBuV/m)	Limit (dBuV/m)	Margin (dB)	Remark	Ant.Polar. H / V
2918.000	37.97	1.91	39.88	74.00	-34.12	peak	H
4591.000	38.30	7.22	45.52	74.00	-28.48	peak	H
6250.000	32.97	11.97	44.94	74.00	-29.06	peak	H
3191.000	37.56	2.62	40.18	74.00	-33.82	peak	V
4395.000	36.19	6.61	42.80	74.00	-31.20	peak	V
5921.000	35.07	10.72	45.79	74.00	-28.21	peak	V

Standard:	FCC Part 15C			Test Distance:	3m		
Test item:	Radiated Emission			Power:	AC 120V/60Hz		
Model Number:	PM66100			Temp.(°C)/Hum.(%RH):	26(°C)/60%RH		
Mode:	Mode 6 (Sample 1 <sup>st</sup> )			Date:	07/11/2012		
Frequency:	2440 MHz			Test By:	Fly Lu		
Frequency (MHz)	Reading (dBuV)	Correct Factor(dB/m)	Result (dBuV/m)	Limit (dBuV/m)	Margin (dB)	Remark	Ant.Polar. H / V
3058.000	37.11	2.32	39.43	74.00	-34.57	peak	H
4409.000	35.25	6.65	41.90	74.00	-32.10	peak	H
6117.000	33.67	11.38	45.05	74.00	-28.95	peak	H
3135.000	37.53	2.49	40.02	74.00	-33.98	peak	V
4479.000	35.86	6.88	42.74	74.00	-31.26	peak	V
6334.000	34.14	12.35	46.49	74.00	-27.51	peak	V

Standard:	FCC Part 15C			Test Distance:	3m		
Test item:	Radiated Emission			Power:	AC 120V/60Hz		
Model Number:	PM66100			Temp.(°C)/Hum.(%RH):	26(°C)/60%RH		
Mode:	Mode 6 (Sample 1 <sup>st</sup> )			Date:	07/11/2012		
Frequency:	2480 MHz			Test By:	Fly Lu		
Frequency (MHz)	Reading (dBuV)	Correct Factor(dB/m)	Result (dBuV/m)	Limit (dBuV/m)	Margin (dB)	Remark	Ant.Polar. H / V
2995.000	36.53	2.18	38.71	74.00	-35.29	peak	H
4423.000	35.77	6.70	42.47	74.00	-31.53	peak	H
6278.000	33.70	12.10	45.80	74.00	-28.20	peak	H
3037.000	37.07	2.28	39.35	74.00	-34.65	peak	V
4465.000	36.63	6.84	43.47	74.00	-30.53	peak	V
6159.000	33.99	11.57	45.56	74.00	-28.44	peak	V

Standard:	FCC Part 15C			Test Distance:	3m			
Test item:	Radiated Emission			Power:	AC 120V/60Hz			
Model Number:	PJ46100			Temp.(°C)/Hum.(%RH):	26(°C)/60%RH			
Mode:	Mode 7 (Sample 1 <sup>st</sup> )			Date:	02/15/2012			
Modulation:	Bluetooth 4.0, GFSK			Test By:	Fly Lu			
Frequency:	2440 MHz							
Frequency (MHz)	Reading (dBuV)	Correct Factor(dB/m)	Result (dBuV/m)	Peak Limit (dBuV/m)	AVG. Limit (dBuV/m)	Margin (dB)	Remark	Ant.Polar. H / V
3163.000	36.98	2.57	39.55	74.00	54.00	-34.45	peak	H
4549.000	35.59	7.11	42.70	74.00	54.00	-31.30	peak	H
6103.000	33.77	11.32	45.09	74.00	54.00	-28.91	peak	H
3415.000	36.97	3.13	40.10	74.00	54.00	-33.90	peak	V
4577.000	34.07	7.19	41.26	74.00	54.00	-32.74	peak	V
6502.000	33.19	13.09	46.28	74.00	54.00	-27.72	peak	V

Standard:	FCC Part 15C	Test Distance:	3m
Test item:	Radiated Emission	Power:	AC 120V/60Hz
Model Number:	PM66100	Temp.(°C)/Hum.(%RH):	26(°C)/60%RH
Mode:	Hopping (Sample 1 <sup>st</sup> )	Date:	07/11/2012
		Test By:	Fly Lu

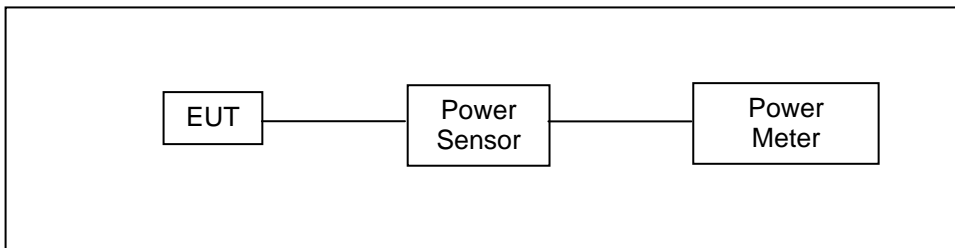
Frequency (MHz)	Reading (dBuV)	Correct Factor(dB/m)	Result (dBuV/m)	Limit (dBuV/m)	Margin (dB)	Remark	Ant.Polar. H / V
2386.000	41.07	-0.08	40.99	74.00	-33.01	peak	H
2390.000	38.86	-0.06	38.80	74.00	-35.20	peak	H
2483.500	39.23	0.35	39.58	74.00	-34.42	peak	H
2486.890	45.00	0.37	45.37	74.00	-28.63	peak	H
2377.070	40.56	-0.12	40.44	74.00	-33.56	peak	V
2390.000	39.42	-0.06	39.36	74.00	-34.64	peak	V
2483.500	40.63	0.35	40.98	74.00	-33.02	peak	V
2486.700	46.61	0.37	46.98	74.00	-27.02	peak	V

## 6 Maximum Conducted Output Power Measurement

### 6.1. Limit

For frequency hopping systems operating in the 2400–2483.5 MHz band employing at least 75 non-overlapping hopping channels < 1 watt.

### 6.2. Test Setup



### 6.3. Test Instruments

Equipment	Manufacturer	Model Number	Serial Number	Cal. Date	Remark
Single Channel PK Power Sensor	Agilent	N1911A	MY45101619	12/15/2011	(2)
Wideband Power Meter	Agilent	N1921A	MY45241957	12/15/2011	(2)
Test Site	ATL	TE02	TE02	N.C.R.	-----

Remark: (1) Calibration period 1 year. (2) Calibration period 2 years.

NOTE: N.C.R. = No Calibration Request.

### 6.4. Test Procedure

Testing must be done according to this procedure, FCC Public Notice DA 00-705 - Filing and Measurement Guidelines for Frequency Hopping Spread Spectrum Systems. This is the only method recognized by the FCC. The tests below are run with the EUT's transmitter set at high power in TX mode. The EUT is needed to force selection of output power level and channel number. While testing, EUT was set to transmit continuously. Remove the Subjective device's antenna and connect the RF output port to power sensor. The maximum peak output power shall not exceed 1 watt.

Use a direct connection between the antenna port of transmitter and the power sensor, for prevent the power sensor input attenuation 40-50 dB. Set the RBW Bandwidth of the emission or use a channel power meter mode.

For antennas with gains of 6 dBi or less, maximum allowed transmitter output is 1 watt (+30 dBm). For antennas with gains greater than 6 dBi, transmitter output level must be decreased by an amount equal to  $(\text{GAIN} - 6)/3$  dBm.

The antenna port of the EUT was connected to the input of a power sensor. Power was read directly and cable loss correction was added to the reading to obtain power at the EUT antenna terminals.

**6.5. Test Result**

Model Number	PM66100					
Test Item	Maximum Conducted Output Power					
Test Mode	Mode 3: Bluetooth v3.0_GFSK Link Mode (Sample 1 <sup>st</sup> )					
Date of Test	06/29/2012			Test Site	TE02	
Frequency (MHz)	Packet Type	Average Power		Peak Power		Limit (W)
		(dBm)	(W)	(dBm)	(W)	
2402	DH1	-4.42	0.00036	-0.06	0.00099	< 1
	DH3	-2.61	0.00055	-0.10	0.00098	< 1
	DH5	-1.94	0.00064	-0.14	0.00097	< 1
2441	DH1	-4.97	0.00032	0.93	0.00124	< 1
	DH3	-1.76	0.00067	0.98	0.00125	< 1
	DH5	-1.09	0.00078	<b>1.00</b>	<b>0.00126</b>	< 1
2480	DH1	-5.05	0.00031	0.92	0.00124	< 1
	DH3	-1.83	0.00066	0.86	0.00122	< 1
	DH5	-1.16	0.00077	0.68	0.00117	< 1

Model Number	PM66100					
Test Item	Maximum Conducted Output Power					
Test Mode	Mode 4: Bluetooth v3.0_π/4-DQPSK Link Mode (Sample 1 <sup>st</sup> )					
Date of Test	06/29/2012			Test Site	TE02	
Frequency (MHz)	Packet Type	Average Power		Peak Power		Limit (W)
		(dBm)	(W)	(dBm)	(W)	
2402	DH1	-8.13	0.00015	-0.29	0.00094	< 1
	DH3	-4.86	0.00033	-0.22	0.00095	< 1
	DH5	-4.17	0.00038	-0.27	0.00094	< 1
2441	DH1	-7.25	0.00019	0.64	0.00116	< 1
	DH3	-4.01	0.00040	0.59	0.00115	< 1
	DH5	-3.33	0.00046	<b>0.65</b>	<b>0.00116</b>	< 1
2480	DH1	-7.33	0.00018	0.55	0.00114	< 1
	DH3	-4.08	0.00039	0.57	0.00114	< 1
	DH5	-3.40	0.00046	0.63	0.00116	< 1

Model Number	PM66100					
Test Item	Maximum Conducted Output Power					
Test Mode	Mode 5: Bluetooth v3.0_8DPSK Link Mode (Sample 1 <sup>st</sup> )					
Date of Test	06/29/2012			Test Site	TE02	
Frequency (MHz)	Packet Type	Average Power		Peak Power		Limit (W)
		(dBm)	(W)	(dBm)	(W)	
2402	DH1	-8.12	0.00015	0.02	0.00100	< 1
	DH3	-4.86	0.00033	0.14	0.00103	< 1
	DH5	-4.15	0.00038	0.15	0.00104	< 1
2441	DH1	-7.27	0.00019	1.03	0.00127	< 1
	DH3	-4.02	0.00040	1.14	0.00130	< 1
	DH5	-3.31	0.00047	<b>1.18</b>	<b>0.00131</b>	< 1
2480	DH1	-7.35	0.00018	0.99	0.00126	< 1
	DH3	-7.33	0.00018	1.07	0.00128	< 1
	DH5	-3.38	0.00046	1.13	0.00130	< 1

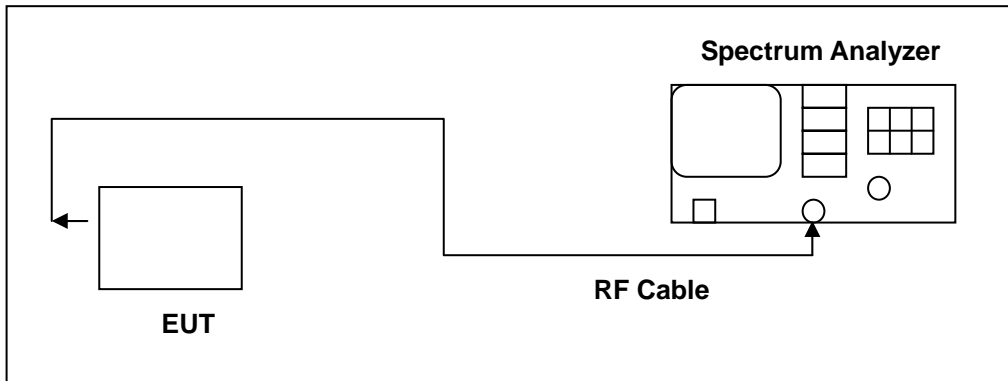
Model Number	PM66100					
Test Item	Maximum Conducted Output Power					
Test Mode	Mode 6: Bluetooth v4.0 LE Link Mode (Sample 1 <sup>st</sup> )					
Date of Test	06/29/2012			Test Site	TE02	
Frequency (MHz)	Packet Type	Average Power		Peak Power		Limit (W)
		(dBm)	(W)	(dBm)	(W)	
2402	---	-0.56	0.00088	-3.05	0.00050	< 0.125
2440	---	<b>0.25</b>	<b>0.00106</b>	-2.29	0.00059	< 0.125
2480	---	0.05	0.00101	-2.48	0.00056	< 0.125

## 7 Minimum 20dB RF Bandwidth Measurement

### 7.1. Limit

N/A

### 7.2. Test Setup



### 7.3. Test Instruments

Equipment	Manufacturer	Model Number	Serial Number	Cal. Date	Remark
Spectrum Analyzer	Agilent	E4445A	MY45300744	12/20/2011	(2)
Test Site	ATL	TE02	TE02	N.C.R.	-----

Remark: (1) Calibration period 1 year. (2) Calibration period 2 years.

NOTE: N.C.R. = No Calibration Request.

### 7.4. Test Procedure

Testing must be done according to this procedure, FCC Public Notice DA 00-705 - Filing and Measurement Guidelines for Frequency Hopping Spread Spectrum Systems. This is the only method recognized by the FCC. The RF output port of the Equipment-Under-Test is directly coupled to the input of the EMC analyzer through a specialized RF connector and a 10dB passive attenuator. A fully charged battery was used for the supply voltage. The Bluetooth frequency hopping function of the EUT was enabled. The spectrum analyzer used the following settings:

1. Span = approx. 2 to 3 times the 20dB bandwidth, centered on a hopping frequency
2. RBW  $\geq$  1% of the 20dB span
3. VBW  $\geq$  RBW
4. Sweep = auto
5. Detector function = peak
6. Trace = max hold



The trace was allowed to stabilize. The EUT was transmitting at its maximum data rate. The marker-to-peak function was used to set the marker to the peak of the emission. The marker-delta function was used to measure 20dB down one side of the emission. The marker-delta function and marker was moved to the other side of the emission until it was even with the reference marker. The marker-delta reading at this point was the 20dB bandwidth of the emission.

## 7.5. Test Result

Model Number	PM66100		
Test Item	Minimum 20dB RF Bandwidth		
Test Mode	Mode 3: Bluetooth v3.0_GFSK Link Mode (Sample 1 <sup>st</sup> )		
Date of Test	07/02/2012	Test Site	TE02
Frequency (MHz)	Measurement (MHz)	Limit (MHz)	
2402	0.960	-----	
2441	0.950	-----	
2480	0.950	-----	

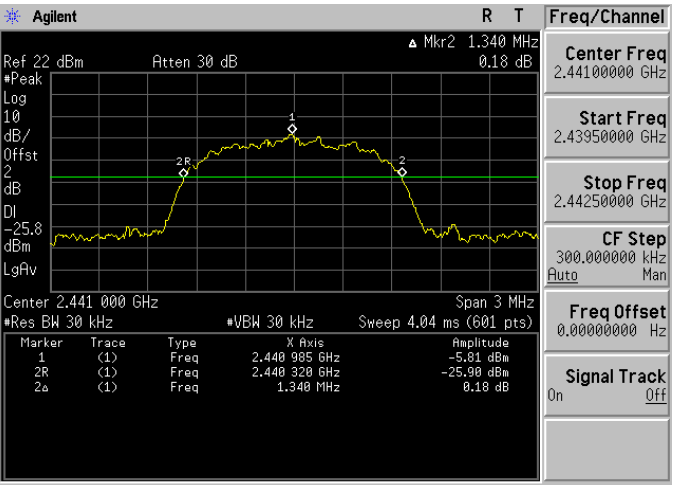
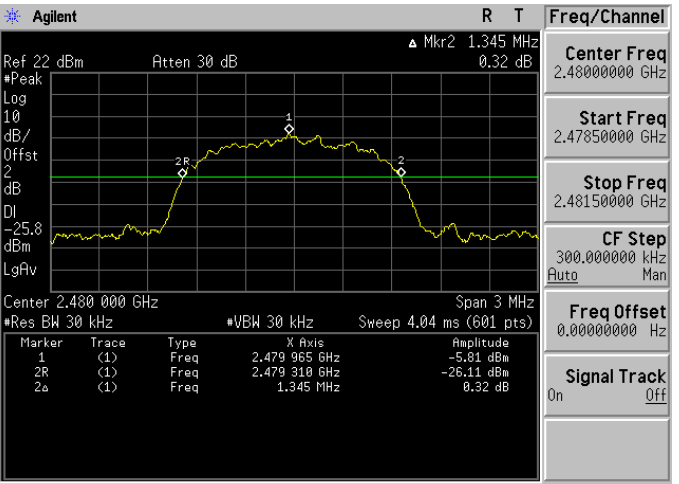
Model Number	PM66100		
Test Item	Minimum 20dB RF Bandwidth		
Test Mode	Mode 5: Bluetooth v3.0_8DPSK Link Mode (Sample 1 <sup>st</sup> )		
Date of Test	07/02/2012	Test Site	TE02
Frequency (MHz)	20dB Bandwidth (MHz)	Limit (MHz)	
2402	1.335	-----	
2441	1.340	-----	
2480	1.345	-----	

Model Number	PM66100		
Test Item	Minimum 20dB RF Bandwidth		
Test Mode	Mode 6: Bluetooth v4.0 LE Link Mode (Sample 1 <sup>st</sup> )		
Date of Test	07/02/2012	Test Site	TE02
Frequency (MHz)	20dB Bandwidth (MHz)	Limit (MHz)	
2402	0.7575	-----	
2440	0.7575	-----	
2480	0.7575	-----	

**7.6. Test Graphs**

Mode 3: Bluetooth v3.0_GFSK Link Mode (Sample 1 <sup>st</sup> )																					
2402	<p>Agilent R T Freq/Channel</p> <p>Ref 22 dBm Atten 30 dB Δ Mkr2 960 kHz 0.59 dB</p> <p>Center 2.402 000 GHz Span 3 MHz</p> <p>Res BW 30 kHz VBW 30 kHz Sweep 4.04 ms (601 pts)</p> <table border="1"> <thead> <tr> <th>Marker</th> <th>Trace</th> <th>Type</th> <th>X Axis</th> <th>Amplitude</th> </tr> </thead> <tbody> <tr> <td>1</td> <td>(1)</td> <td>Freq</td> <td>2.402 010 GHz</td> <td>-3.84 dBm</td> </tr> <tr> <td>2R</td> <td>(1)</td> <td>Freq</td> <td>2.401 520 GHz</td> <td>-23.88 dBm</td> </tr> <tr> <td>2a</td> <td>(1)</td> <td>Freq</td> <td>960 kHz</td> <td>0.59 dB</td> </tr> </tbody> </table> <p>Copyright 2000-2005 Agilent Technologies</p>	Marker	Trace	Type	X Axis	Amplitude	1	(1)	Freq	2.402 010 GHz	-3.84 dBm	2R	(1)	Freq	2.401 520 GHz	-23.88 dBm	2a	(1)	Freq	960 kHz	0.59 dB
Marker	Trace	Type	X Axis	Amplitude																	
1	(1)	Freq	2.402 010 GHz	-3.84 dBm																	
2R	(1)	Freq	2.401 520 GHz	-23.88 dBm																	
2a	(1)	Freq	960 kHz	0.59 dB																	
2441	<p>Agilent R T Freq/Channel</p> <p>Ref 22 dBm Atten 30 dB Δ Mkr2 950 kHz -0.29 dB</p> <p>Center 2.441 000 GHz Span 3 MHz</p> <p>Res BW 30 kHz VBW 30 kHz Sweep 4.04 ms (601 pts)</p> <table border="1"> <thead> <tr> <th>Marker</th> <th>Trace</th> <th>Type</th> <th>X Axis</th> <th>Amplitude</th> </tr> </thead> <tbody> <tr> <td>1</td> <td>(1)</td> <td>Freq</td> <td>2.440 980 GHz</td> <td>-2.72 dBm</td> </tr> <tr> <td>2R</td> <td>(1)</td> <td>Freq</td> <td>2.440 530 GHz</td> <td>-22.83 dBm</td> </tr> <tr> <td>2a</td> <td>(1)</td> <td>Freq</td> <td>950 kHz</td> <td>-0.29 dB</td> </tr> </tbody> </table> <p>Copyright 2000-2005 Agilent Technologies</p>	Marker	Trace	Type	X Axis	Amplitude	1	(1)	Freq	2.440 980 GHz	-2.72 dBm	2R	(1)	Freq	2.440 530 GHz	-22.83 dBm	2a	(1)	Freq	950 kHz	-0.29 dB
Marker	Trace	Type	X Axis	Amplitude																	
1	(1)	Freq	2.440 980 GHz	-2.72 dBm																	
2R	(1)	Freq	2.440 530 GHz	-22.83 dBm																	
2a	(1)	Freq	950 kHz	-0.29 dB																	
2480	<p>Agilent R T Freq/Channel</p> <p>Ref 22 dBm Atten 30 dB Δ Mkr2 950 kHz 0.52 dB</p> <p>Center 2.480 000 GHz Span 3 MHz</p> <p>Res BW 30 kHz VBW 30 kHz Sweep 4.04 ms (601 pts)</p> <table border="1"> <thead> <tr> <th>Marker</th> <th>Trace</th> <th>Type</th> <th>X Axis</th> <th>Amplitude</th> </tr> </thead> <tbody> <tr> <td>1</td> <td>(1)</td> <td>Freq</td> <td>2.479 995 GHz</td> <td>-2.91 dBm</td> </tr> <tr> <td>2R</td> <td>(1)</td> <td>Freq</td> <td>2.479 520 GHz</td> <td>-23.24 dBm</td> </tr> <tr> <td>2a</td> <td>(1)</td> <td>Freq</td> <td>950 kHz</td> <td>0.52 dB</td> </tr> </tbody> </table> <p>Copyright 2000-2005 Agilent Technologies</p>	Marker	Trace	Type	X Axis	Amplitude	1	(1)	Freq	2.479 995 GHz	-2.91 dBm	2R	(1)	Freq	2.479 520 GHz	-23.24 dBm	2a	(1)	Freq	950 kHz	0.52 dB
Marker	Trace	Type	X Axis	Amplitude																	
1	(1)	Freq	2.479 995 GHz	-2.91 dBm																	
2R	(1)	Freq	2.479 520 GHz	-23.24 dBm																	
2a	(1)	Freq	950 kHz	0.52 dB																	

Mode 5: Bluetooth v3.0\_8DPSK Link Mode (Sample 1<sup>st</sup>)

<p>2402</p>	 <p>Agilent R T Freq/Channel</p> <p>Ref 22 dBm Atten 30 dB Mkr2 1.335 MHz 0.21 dB</p> <p>Center 2.402 000 GHz Span 3 MHz</p> <table border="1"> <thead> <tr> <th>Marker</th> <th>Trace</th> <th>Type</th> <th>X Axis</th> <th>Amplitude</th> </tr> </thead> <tbody> <tr> <td>1</td> <td>(1)</td> <td>Freq</td> <td>2.401 985 GHz</td> <td>-6.01 dBm</td> </tr> <tr> <td>2R</td> <td>(1)</td> <td>Freq</td> <td>2.401 330 GHz</td> <td>-26.13 dBm</td> </tr> <tr> <td>2a</td> <td>(1)</td> <td>Freq</td> <td>1.335 MHz</td> <td>0.21 dB</td> </tr> </tbody> </table> <p>Copyright 2000-2005 Agilent Technologies</p>	Marker	Trace	Type	X Axis	Amplitude	1	(1)	Freq	2.401 985 GHz	-6.01 dBm	2R	(1)	Freq	2.401 330 GHz	-26.13 dBm	2a	(1)	Freq	1.335 MHz	0.21 dB
Marker	Trace	Type	X Axis	Amplitude																	
1	(1)	Freq	2.401 985 GHz	-6.01 dBm																	
2R	(1)	Freq	2.401 330 GHz	-26.13 dBm																	
2a	(1)	Freq	1.335 MHz	0.21 dB																	
<p>2441</p>	 <p>Agilent R T Freq/Channel</p> <p>Ref 22 dBm Atten 30 dB Mkr2 1.340 MHz 0.18 dB</p> <p>Center 2.441 000 GHz Span 3 MHz</p> <table border="1"> <thead> <tr> <th>Marker</th> <th>Trace</th> <th>Type</th> <th>X Axis</th> <th>Amplitude</th> </tr> </thead> <tbody> <tr> <td>1</td> <td>(1)</td> <td>Freq</td> <td>2.440 985 GHz</td> <td>-5.81 dBm</td> </tr> <tr> <td>2R</td> <td>(1)</td> <td>Freq</td> <td>2.440 320 GHz</td> <td>-25.98 dBm</td> </tr> <tr> <td>2a</td> <td>(1)</td> <td>Freq</td> <td>1.340 MHz</td> <td>0.18 dB</td> </tr> </tbody> </table> <p>Copyright 2000-2005 Agilent Technologies</p>	Marker	Trace	Type	X Axis	Amplitude	1	(1)	Freq	2.440 985 GHz	-5.81 dBm	2R	(1)	Freq	2.440 320 GHz	-25.98 dBm	2a	(1)	Freq	1.340 MHz	0.18 dB
Marker	Trace	Type	X Axis	Amplitude																	
1	(1)	Freq	2.440 985 GHz	-5.81 dBm																	
2R	(1)	Freq	2.440 320 GHz	-25.98 dBm																	
2a	(1)	Freq	1.340 MHz	0.18 dB																	
<p>2480</p>	 <p>Agilent R T Freq/Channel</p> <p>Ref 22 dBm Atten 30 dB Mkr2 1.345 MHz 0.32 dB</p> <p>Center 2.480 000 GHz Span 3 MHz</p> <table border="1"> <thead> <tr> <th>Marker</th> <th>Trace</th> <th>Type</th> <th>X Axis</th> <th>Amplitude</th> </tr> </thead> <tbody> <tr> <td>1</td> <td>(1)</td> <td>Freq</td> <td>2.479 965 GHz</td> <td>-5.81 dBm</td> </tr> <tr> <td>2R</td> <td>(1)</td> <td>Freq</td> <td>2.479 310 GHz</td> <td>-26.11 dBm</td> </tr> <tr> <td>2a</td> <td>(1)</td> <td>Freq</td> <td>1.345 MHz</td> <td>0.32 dB</td> </tr> </tbody> </table> <p>Copyright 2000-2005 Agilent Technologies</p>	Marker	Trace	Type	X Axis	Amplitude	1	(1)	Freq	2.479 965 GHz	-5.81 dBm	2R	(1)	Freq	2.479 310 GHz	-26.11 dBm	2a	(1)	Freq	1.345 MHz	0.32 dB
Marker	Trace	Type	X Axis	Amplitude																	
1	(1)	Freq	2.479 965 GHz	-5.81 dBm																	
2R	(1)	Freq	2.479 310 GHz	-26.11 dBm																	
2a	(1)	Freq	1.345 MHz	0.32 dB																	

Mode 6: Bluetooth v4.0 LE Link Mode (Sample 1<sup>st</sup>)

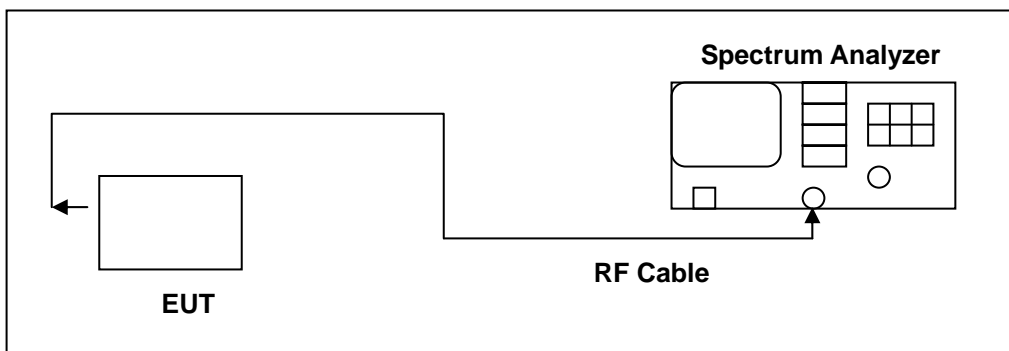
<p>2402</p>	<p>Agilent R T</p> <p>Ref 10 dBm #Atten 20 dB Mkr2 Δ 757.5 kHz -0.682 dB</p> <p>Peak Log 10 dB/Offset 0.8 dB DI -7.5 dBm</p> <p>Center 2.402 GHz Span 3 MHz #Res BW 100 kHz #VBW 300 kHz Sweep 5 ms (401 pts)</p> <table border="1"> <thead> <tr> <th>Marker</th> <th>Trace</th> <th>Type</th> <th>X Axis</th> <th>Amplitude</th> </tr> </thead> <tbody> <tr> <td>1</td> <td>(1)</td> <td>Freq</td> <td>2.4022500 GHz</td> <td>-1.569 dBm</td> </tr> <tr> <td>2R</td> <td>(1)</td> <td>Freq</td> <td>2.4016250 GHz</td> <td>-7.648 dBm</td> </tr> <tr> <td>2Δ</td> <td>(1)</td> <td>Freq</td> <td>757.5 kHz</td> <td>-0.682 dB</td> </tr> </tbody> </table> <p>Freq/Channel Center Freq 2.4020000 GHz Start Freq 2.40050000 GHz Stop Freq 2.40350000 GHz CF Step 300.000000 kHz Auto Man Freq Offset 0.00000000 Hz Signal Track On Off</p>	Marker	Trace	Type	X Axis	Amplitude	1	(1)	Freq	2.4022500 GHz	-1.569 dBm	2R	(1)	Freq	2.4016250 GHz	-7.648 dBm	2Δ	(1)	Freq	757.5 kHz	-0.682 dB
Marker	Trace	Type	X Axis	Amplitude																	
1	(1)	Freq	2.4022500 GHz	-1.569 dBm																	
2R	(1)	Freq	2.4016250 GHz	-7.648 dBm																	
2Δ	(1)	Freq	757.5 kHz	-0.682 dB																	
<p>2440</p>	<p>Agilent R T</p> <p>Ref 10 dBm #Atten 20 dB Mkr2 Δ 757.5 kHz -0.492 dB</p> <p>Peak Log 10 dB/Offset 0.8 dB DI -6.8 dBm</p> <p>Center 2.44 GHz Span 3 MHz #Res BW 100 kHz #VBW 300 kHz Sweep 5 ms (401 pts)</p> <table border="1"> <thead> <tr> <th>Marker</th> <th>Trace</th> <th>Type</th> <th>X Axis</th> <th>Amplitude</th> </tr> </thead> <tbody> <tr> <td>1</td> <td>(1)</td> <td>Freq</td> <td>2.4402475 GHz</td> <td>-0.842 dBm</td> </tr> <tr> <td>2R</td> <td>(1)</td> <td>Freq</td> <td>2.4396175 GHz</td> <td>-6.926 dBm</td> </tr> <tr> <td>2Δ</td> <td>(1)</td> <td>Freq</td> <td>757.5 kHz</td> <td>-0.492 dB</td> </tr> </tbody> </table> <p>Freq/Channel Center Freq 2.4400000 GHz Start Freq 2.43850000 GHz Stop Freq 2.44150000 GHz CF Step 300.000000 kHz Auto Man Freq Offset 0.00000000 Hz Signal Track On Off</p>	Marker	Trace	Type	X Axis	Amplitude	1	(1)	Freq	2.4402475 GHz	-0.842 dBm	2R	(1)	Freq	2.4396175 GHz	-6.926 dBm	2Δ	(1)	Freq	757.5 kHz	-0.492 dB
Marker	Trace	Type	X Axis	Amplitude																	
1	(1)	Freq	2.4402475 GHz	-0.842 dBm																	
2R	(1)	Freq	2.4396175 GHz	-6.926 dBm																	
2Δ	(1)	Freq	757.5 kHz	-0.492 dB																	
<p>2480</p>	<p>Agilent R T</p> <p>Ref 10 dBm #Atten 20 dB Mkr2 Δ 757.5 kHz -0.156 dB</p> <p>Peak Log 10 dB/Offset 0.8 dB DI -7.0 dBm</p> <p>Center 2.48 GHz Span 3 MHz #Res BW 100 kHz #VBW 300 kHz Sweep 5 ms (401 pts)</p> <table border="1"> <thead> <tr> <th>Marker</th> <th>Trace</th> <th>Type</th> <th>X Axis</th> <th>Amplitude</th> </tr> </thead> <tbody> <tr> <td>1</td> <td>(1)</td> <td>Freq</td> <td>2.4802400 GHz</td> <td>-1.001 dBm</td> </tr> <tr> <td>2R</td> <td>(1)</td> <td>Freq</td> <td>2.4796100 GHz</td> <td>-7.141 dBm</td> </tr> <tr> <td>2Δ</td> <td>(1)</td> <td>Freq</td> <td>757.5 kHz</td> <td>-0.156 dB</td> </tr> </tbody> </table> <p>Freq/Channel Center Freq 2.4800000 GHz Start Freq 2.47850000 GHz Stop Freq 2.48150000 GHz CF Step 300.000000 kHz Auto Man Freq Offset 0.00000000 Hz Signal Track On Off</p>	Marker	Trace	Type	X Axis	Amplitude	1	(1)	Freq	2.4802400 GHz	-1.001 dBm	2R	(1)	Freq	2.4796100 GHz	-7.141 dBm	2Δ	(1)	Freq	757.5 kHz	-0.156 dB
Marker	Trace	Type	X Axis	Amplitude																	
1	(1)	Freq	2.4802400 GHz	-1.001 dBm																	
2R	(1)	Freq	2.4796100 GHz	-7.141 dBm																	
2Δ	(1)	Freq	757.5 kHz	-0.156 dB																	

## 8 Carrier Frequency Separation Measurement

### 8.1. Limit

Title 47 of the CFR, Part 15 Subpart (c) 15.247(a)(1)(i) requires the measurement of the bandwidth of the transmission between the -20 dB points on the transmitted spectrum. The results of this test determine the limits for channel spacing. The channel spacing shall be a minimum of 25 kHz or the 20 dB bandwidth.

### 8.2. Test Setup



### 8.3. Test Instruments

Equipment	Manufacturer	Model Number	Serial Number	Cal. Date	Remark
Spectrum Analyzer	Agilent	E4445A	MY45300744	12/20/2011	(2)
Test Site	ATL	TE02	TE02	N.C.R.	-----

Remark: (1) Calibration period 1 year. (2) Calibration period 2 years.

NOTE: N.C.R. = No Calibration Request.

#### 8.4. Test Procedure

Testing must be done according to this procedure, FCC Public Notice DA 00-705 - Filing and Measurement Guidelines for Frequency Hopping Spread Spectrum Systems. This is the only method recognized by the FCC. The RF output port of the Equipment-Under-Test is directly coupled to the input of the EMC analyzer through a specialized RF connector and a 10dB passive attenuator. A fully charged battery was used for the supply voltage. The Bluetooth transmitter of the V6 had its hopping function enabled. The following spectrum analyzer settings were used:

1. Span = wide enough to capture the peaks of two adjacent channels
2. Resolution (or IF) Bandwidth (RBW)  $\geq$  1% of the span
3. Video (or Average) Bandwidth (VBW)  $\geq$  RBW
4. Sweep = auto
5. Detector function = peak
6. Trace = max hold

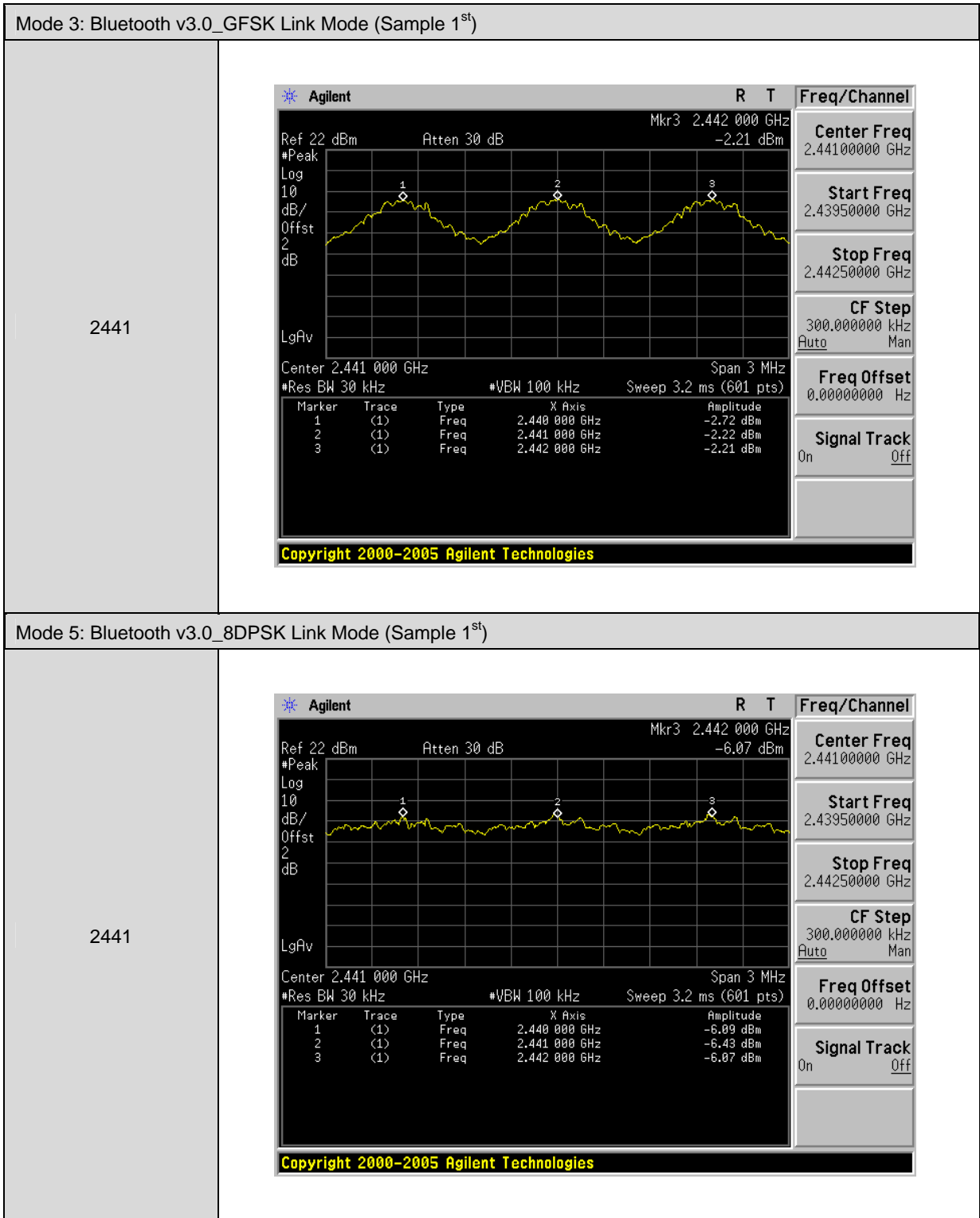
The trace was allowed to stabilize. The marker-delta function was used to determine the separation between the peaks of the adjacent channels.

**8.5. Test Result**

Model Number	PM66100		
Test Item	Carrier Frequency Separation		
Test Mode	Mode 3: Bluetooth v3.0_GFSK Link Mode (Sample 1 <sup>st</sup> )		
Date of Test	07/02/2012	Test Site	TE02
Frequency (MHz)	Measurement (MHz)		Limit (MHz)
2441	1		> 0.640

Model Number	PM66100		
Test Item	Carrier Frequency Separation		
Test Mode	Mode 5: Bluetooth v3.0_8DPSK Link Mode (Sample 1 <sup>st</sup> )		
Date of Test	07/02/2012	Test Site	TE02
Frequency (MHz)	Measurement (MHz)		Limit (MHz)
2441	1		> 0.897

**8.6. Test Graphs**



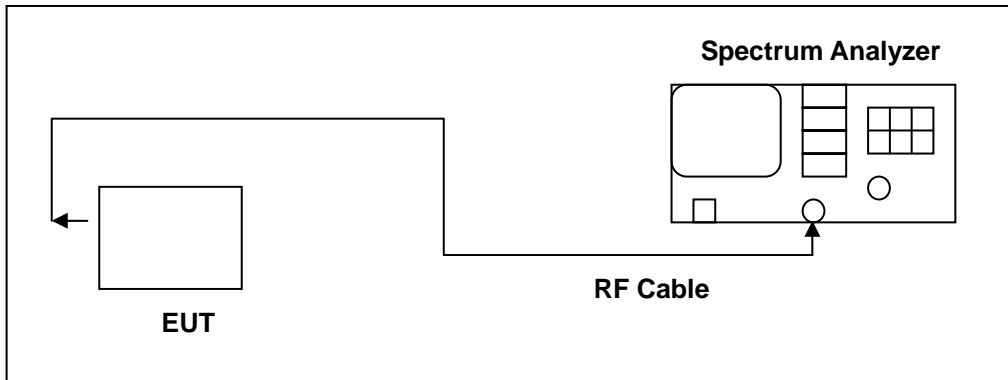


## 9 Number of Hopping Measurement

### 9.1. Limit

Frequency hopping systems in the 2400–2483.5 MHz band shall use at least 15 channels.

### 9.2. Test Setup



### 9.3. Test Instruments

Equipment	Manufacturer	Model Number	Serial Number	Cal. Date	Remark
Spectrum Analyzer	Agilent	E4445A	MY45300744	12/20/2011	(2)
Test Site	ATL	TE02	TE02	N.C.R.	-----

Remark: (1) Calibration period 1 year. (2) Calibration period 2 years.

NOTE: N.C.R. = No Calibration Request.

### 9.4. Test Procedure

Testing must be done according to this procedure, FCC Public Notice DA 00-705 - Filing and Measurement Guidelines for Frequency Hopping Spread Spectrum Systems. This is the only method recognized by the FCC. The RF output port of the Equipment-Under-Test is directly coupled to the input of the EMC analyzer through a specialized RF connector and a 10dB passive attenuator. A fully charged battery was used for the supply voltage. The Bluetooth frequency hopping function of the EUT was enabled. The spectrum analyzer used the following settings:

1. Span = the frequency band of operation
2. RBW  $\geq$  1% of the span
3. VBW  $\geq$  RBW
4. Sweep = auto
5. Detector function = peak
6. Trace = max hold

The trace was allowed to stabilize.

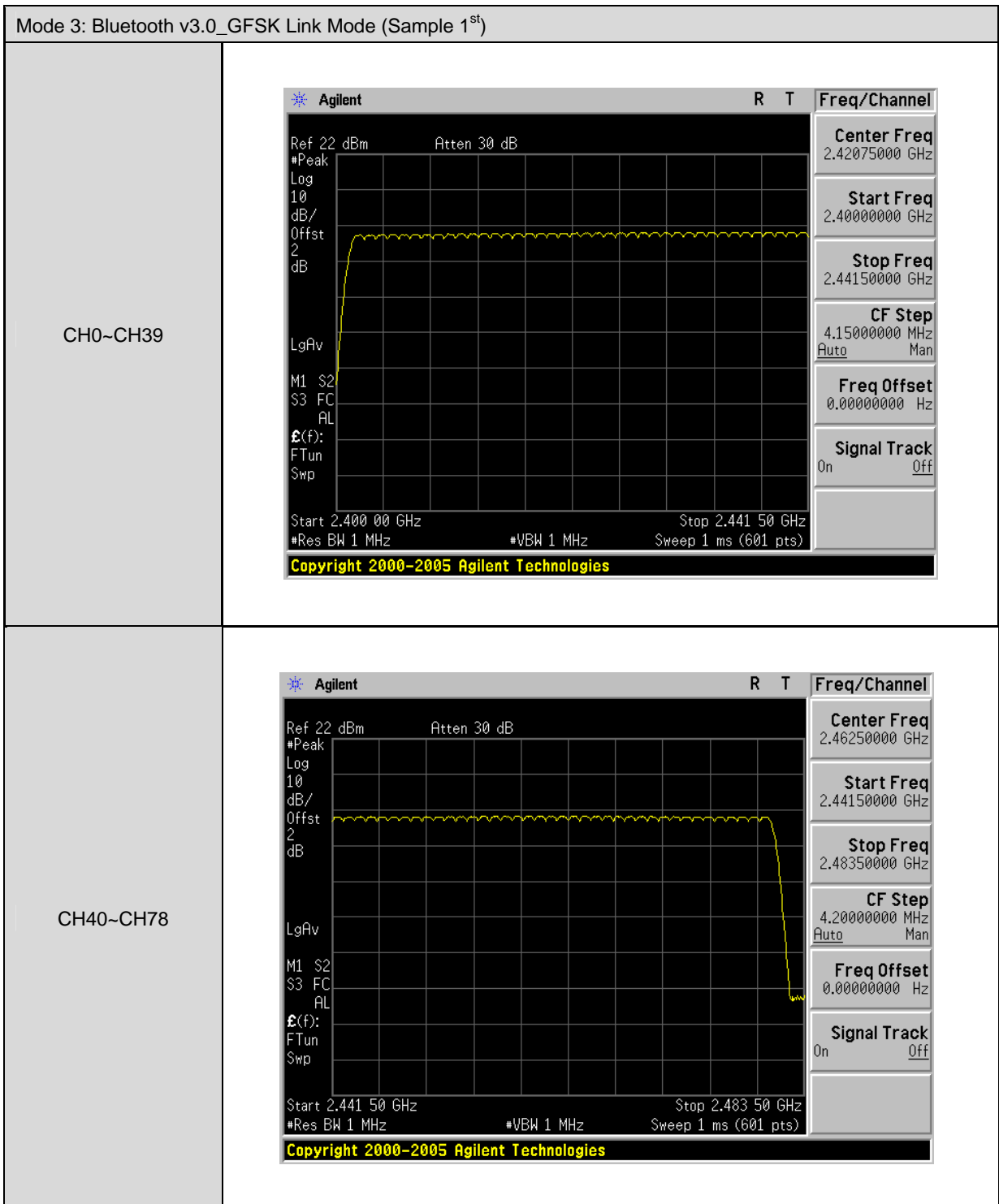
**9.5. Test Result**

Model Number	PM66100		
Test Item	Number of Hopping		
Test Mode	Mode 3: Bluetooth v3.0_GFSK Link Mode (Sample 1 <sup>st</sup> )		
Date of Test	06/29/2012	Test Site	TE02
Frequency Range (MHz)	Measurement (ch)		Limit (ch)
2402 - 2480	79		> 15

Model Number	PM66100		
Test Item	Number of Hopping		
Test Mode	Mode 5: Bluetooth v3.0_8DPSK Link Mode (Sample 1 <sup>st</sup> )		
Date of Test	06/29/2012	Test Site	TE02
Frequency Range (MHz)	Measurement (ch)		Limit (ch)
2402 - 2480	79		> 15

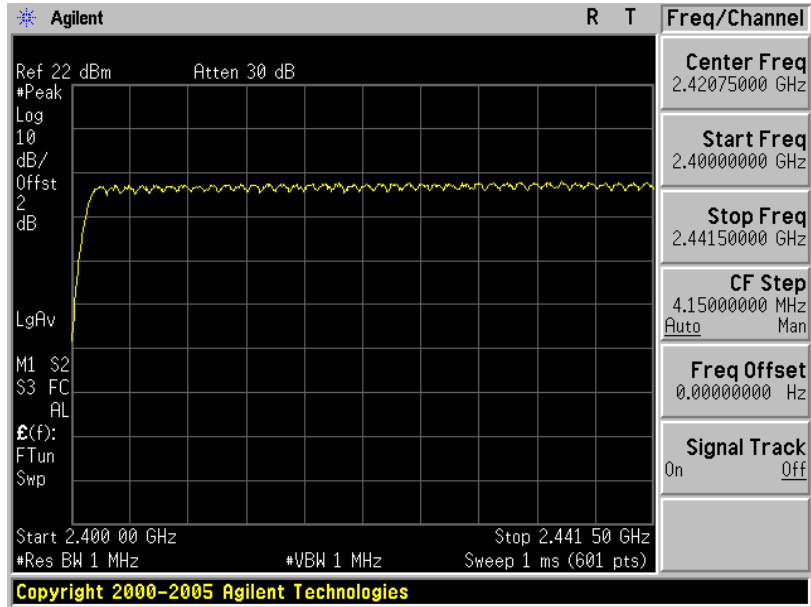
Model Number	PM66100		
Test Item	Number of Hopping		
Test Mode	Mode 6: Bluetooth v4.0 LE Link Mode (Sample 1 <sup>st</sup> )		
Date of Test	06/29/2012	Test Site	TE02
Frequency Range (MHz)	Measurement (ch)		Limit (ch)
2402 - 2480	40		> 15

**9.6. Test Graphs**

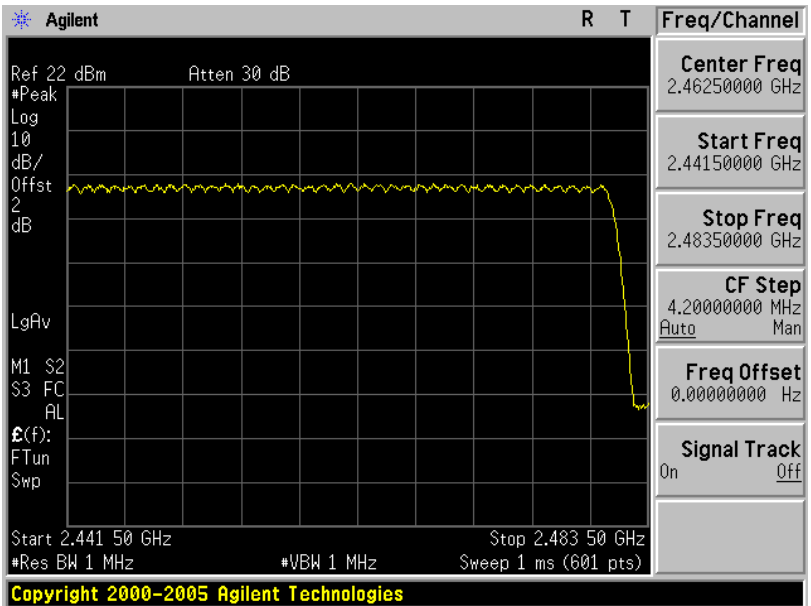


Mode 5: Bluetooth v3.0\_8DPSK Link Mode (Sample 1<sup>st</sup>)

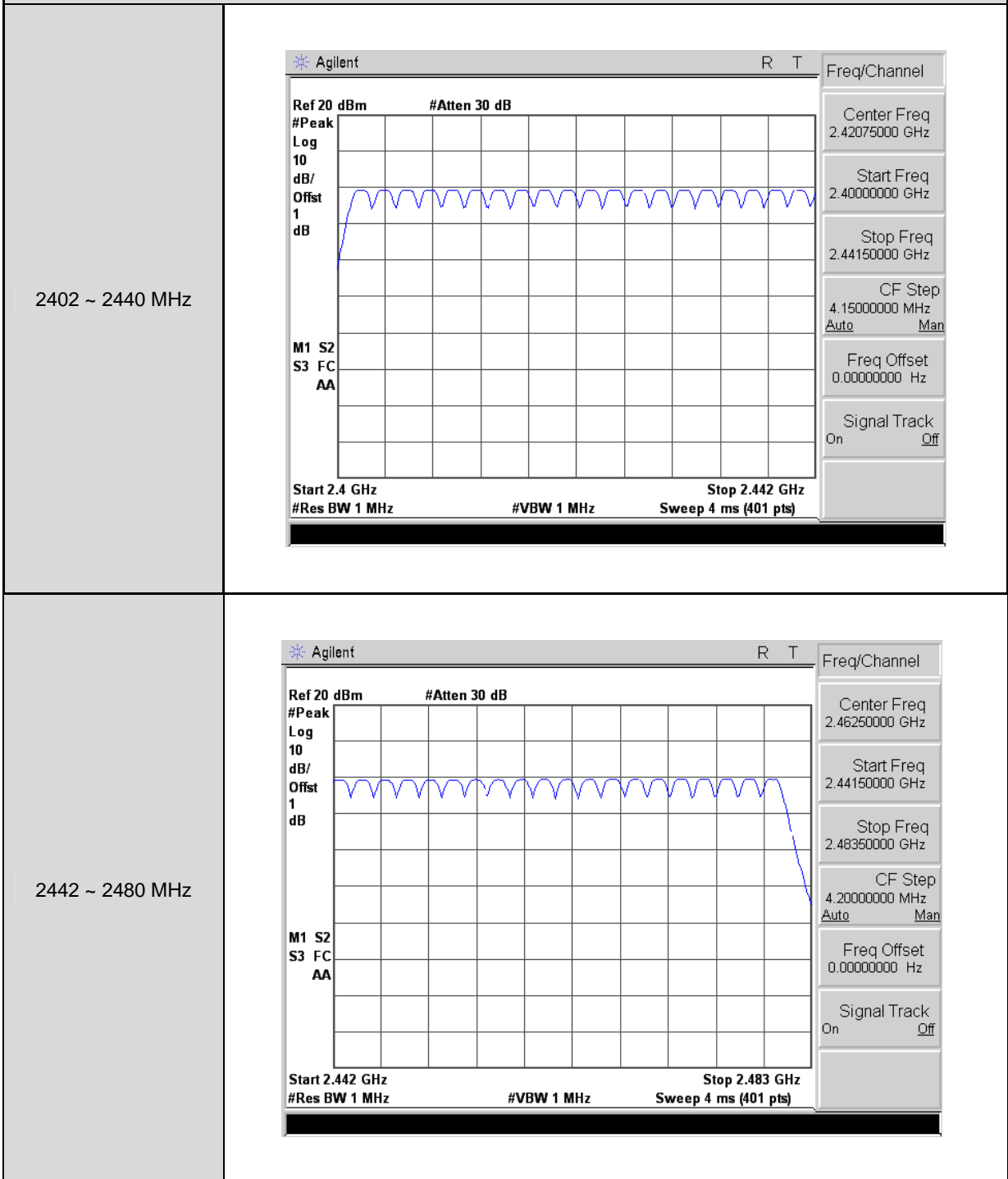
CH0~CH39



CH40~CH78



Mode 6: Bluetooth v4.0 LE Link Mode (Sample 1<sup>st</sup>)

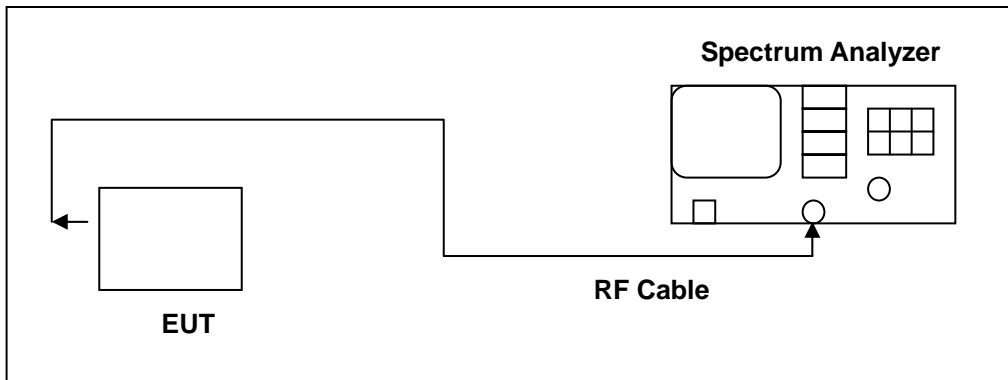


## 10 Time of Occupancy (Dwell Time) Measurement

### 10.1.Limit

The average time of occupancy on any channel shall not be greater than 0.4 seconds within a period of 0.4 seconds multiplied by the number of hopping channels employed.

### 10.2.Test Setup



### 10.3.Test Instruments

Equipment	Manufacturer	Model Number	Serial Number	Cal. Date	Remark
Spectrum Analyzer	Agilent	E4445A	MY45300744	12/20/2011	(2)
Test Site	ATL	TE02	TE02	N.C.R.	-----

Remark: (1) Calibration period 1 year. (2) Calibration period 2 years.

NOTE: N.C.R. = No Calibration Request.

### 10.4.Test Procedure

Testing must be done according to this procedure, FCC Public Notice DA 00-705 - Filing and Measurement Guidelines for Frequency Hopping Spread Spectrum Systems. This is the only method recognized by the FCC. The RF output port of the Equipment-Under-Test is directly coupled to the input of the EMC analyzer through a specialized RF connector and a 10dB passive attenuator. A fully charged battery was used for the supply voltage. The Bluetooth hopping function of the EUT was enabled. The following spectrum analyzer settings were used:

1. Span = zero span, centered on a hopping channel
2. RBW = 1 MHz
3. VBW  $\geq$  RBW
4. Sweep = as necessary to capture the entire dwell time per hopping channel
5. Detector function = peak
6. Trace = max hold

The marker-delta function was used to determine the dwell time.

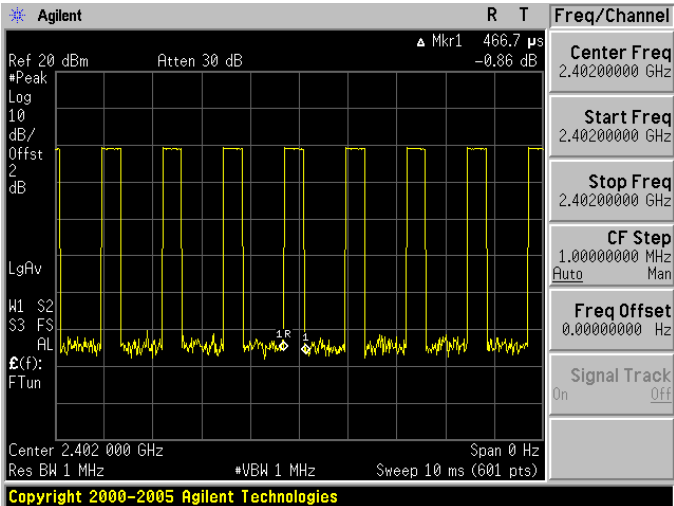
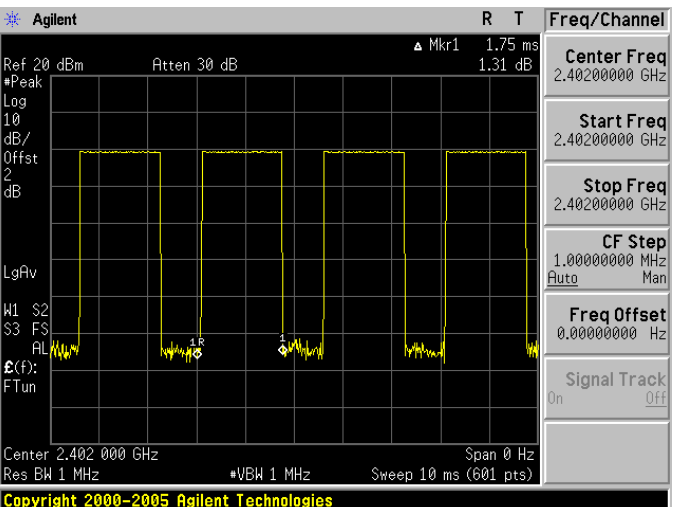
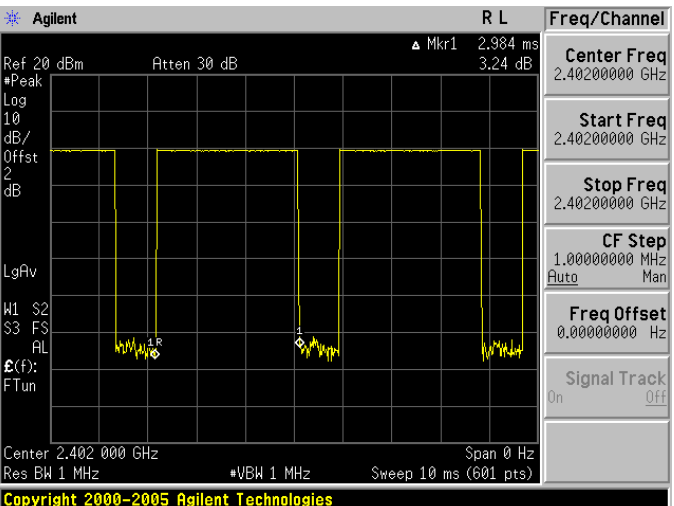
**10.5.Test Result**

Model Number	PM66100		
Test Item	Time of Occupancy (Dwell Time)		
Test Mode	Mode 3: Bluetooth v3.0_GFSK Link Mode (Sample 1 <sup>st</sup> )		
Date of Test	07/02/2012	Test Site	TE02
DH1			
Cycle Calculate	$79\text{CH} * 0.4 = 31.6 \text{ (sec)}$		
The EUT Hopping Number per Sec	1600 times/sec		
Each Channel Dwell Times per Sec	$800/79\text{CH} = 10.13(\text{times/sec})$		
Each Channel Dwell Times (1)	0.467	ms (sec)	
Each Channel Dwell Times on Cycle(2)	$31.6 * 10.13 = 320.108(\text{times})$		
Dwell Times on Cycle (1) * (2)	149.4904	ms (sec)	
LIMIT(msec)	< = 400		
DH3			
Cycle Calculate	$79\text{CH} * 0.4 = 31.6 \text{ (sec)}$		
The EUT Hopping Number per Sec	1600 times/sec		
Each Channel Dwell Times per Sec	$400/79\text{CH} = 5.1(\text{times/sec})$		
Each Channel Dwell Times (1)	1.750	ms (sec)	
Each Channel Dwell Times on Cycle(2)	$31.6 * 5.1 = 161.16(\text{times})$		
Dwell Times on Cycle (1) * (2)	282.0300	ms (sec)	
LIMIT(msec)	< = 400		
DH5			
Cycle Calculate	$79\text{CH} * 0.4 = 31.6 \text{ (sec)}$		
The EUT Hopping Number per Sec	1600 times/sec		
Each Channel Dwell Times per Sec	$266.7/79\text{CH} = 3.37(\text{times/sec})$		
Each Channel Dwell Times (1)	2.984	ms (sec)	
Each Channel Dwell Times on Cycle(2)	$31.6 * 3.37 = 106.492(\text{times})$		
Dwell Times on Cycle (1) * (2)	317.7721	ms (sec)	
LIMIT(msec)	< = 400		

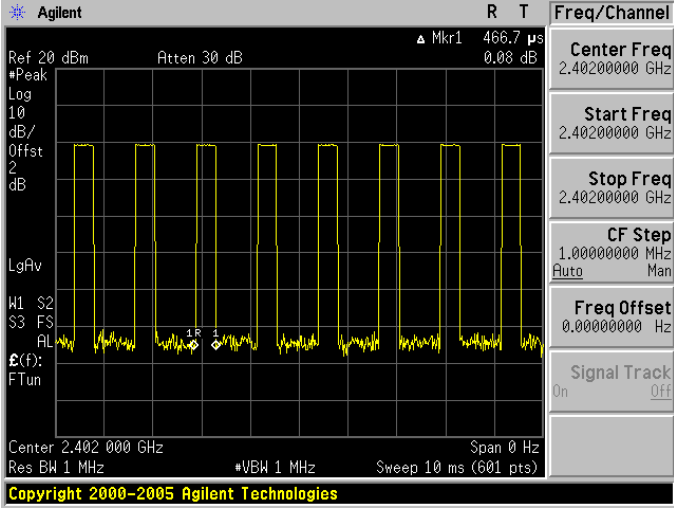
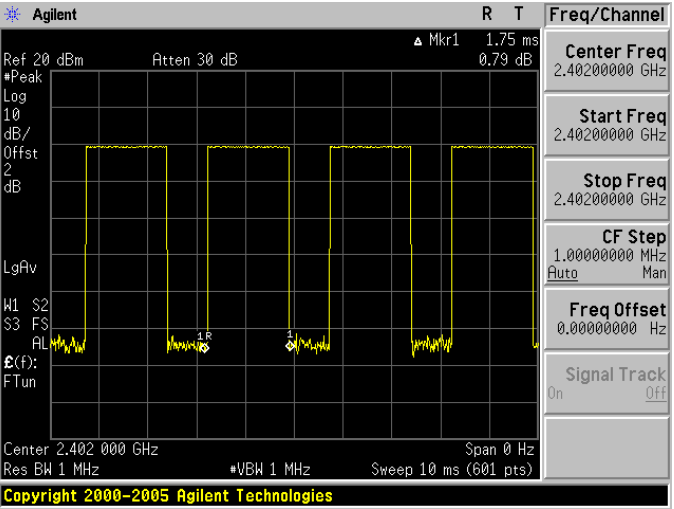
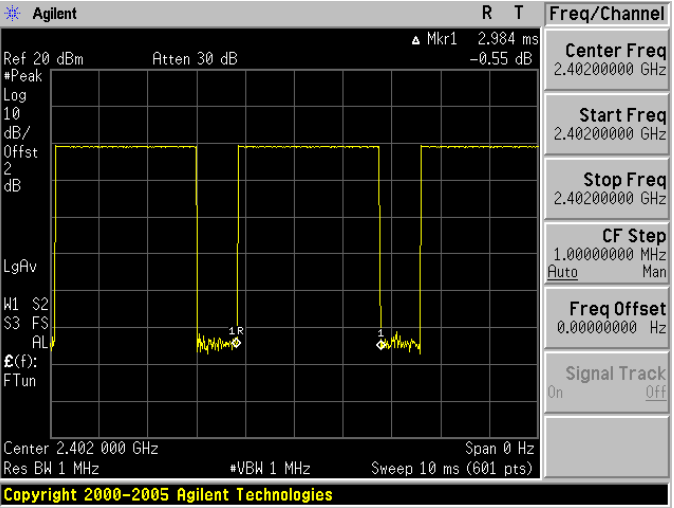
Model Number	PM66100		
Test Item	Time of Occupancy (Dwell Time)		
Test Mode	Mode 5: Bluetooth v3.0_8DPSK Link Mode (Sample 1 <sup>st</sup> )		
Date of Test	07/02/2012	Test Site	TE02
2DH1			
Cycle Calculate	$79\text{CH} * 0.4 = 31.6 \text{ (sec)}$		
The EUT Hopping Number per Sec	1600 times/sec		
Each Channel Dwell Times per Sec	$800/79\text{CH} = 10.13(\text{times/sec})$		
Each Channel Dwell Times (1)	0.467	ms (sec)	
Each Channel Dwell Times on Cycle(2)	$31.6 * 10.13 = 320.108(\text{times})$		
Dwell Times on Cycle (1) * (2)	149.4904	ms (sec)	
LIMIT(msec)	< = 400		
2DH3			
Cycle Calculate	$79\text{CH} * 0.4 = 31.6 \text{ (sec)}$		
The EUT Hopping Number per Sec	1600 times/sec		
Each Channel Dwell Times per Sec	$400/79\text{CH} = 5.1(\text{times/sec})$		
Each Channel Dwell Times (1)	1.750	ms (sec)	
Each Channel Dwell Times on Cycle(2)	$31.6 * 5.1 = 161.16(\text{times})$		
Dwell Times on Cycle (1) * (2)	282.0300	ms (sec)	
LIMIT(msec)	< = 400		
2DH5			
Cycle Calculate	$79\text{CH} * 0.4 = 31.6 \text{ (sec)}$		
The EUT Hopping Number per Sec	1600 times/sec		
Each Channel Dwell Times per Sec	$266.7/79\text{CH} = 3.37(\text{times/sec})$		
Each Channel Dwell Times (1)	2.984	ms (sec)	
Each Channel Dwell Times on Cycle(2)	$31.6 * 3.37 = 106.492(\text{times})$		
Dwell Times on Cycle (1) * (2)	317.7721	ms (sec)	
LIMIT(msec)	< = 400		



**10.6. Test Graphs**

Mode 3: Bluetooth v3.0_GFSK Link Mode (Sample 1 <sup>st</sup> )	
DH1	 <p>Agilent R T Freq/Channel          Ref 20 dBm Atten 30 dB Δ Mkr1 466.7 μs -0.86 dB          #Peak          Log          10          dB/          Offst          2          dB          LgAv          W1 S2          S3 FS          AL          E(f):          FTun          Center 2.402 000 GHz Span 0 Hz          Res BW 1 MHz #VBW 1 MHz Sweep 10 ms (601 pts)          Copyright 2000-2005 Agilent Technologies</p>
DH3	 <p>Agilent R T Freq/Channel          Ref 20 dBm Atten 30 dB Δ Mkr1 1.75 ms 1.31 dB          #Peak          Log          10          dB/          Offst          2          dB          LgAv          W1 S2          S3 FS          AL          E(f):          FTun          Center 2.402 000 GHz Span 0 Hz          Res BW 1 MHz #VBW 1 MHz Sweep 10 ms (601 pts)          Copyright 2000-2005 Agilent Technologies</p>
DH5	 <p>Agilent R L Freq/Channel          Ref 20 dBm Atten 30 dB Δ Mkr1 2.984 ms 3.24 dB          #Peak          Log          10          dB/          Offst          2          dB          LgAv          W1 S2          S3 FS          AL          E(f):          FTun          Center 2.402 000 GHz Span 0 Hz          Res BW 1 MHz #VBW 1 MHz Sweep 10 ms (601 pts)          Copyright 2000-2005 Agilent Technologies</p>

Mode 5: Bluetooth v3.0\_8DPSK Link Mode (Sample 1<sup>st</sup>)

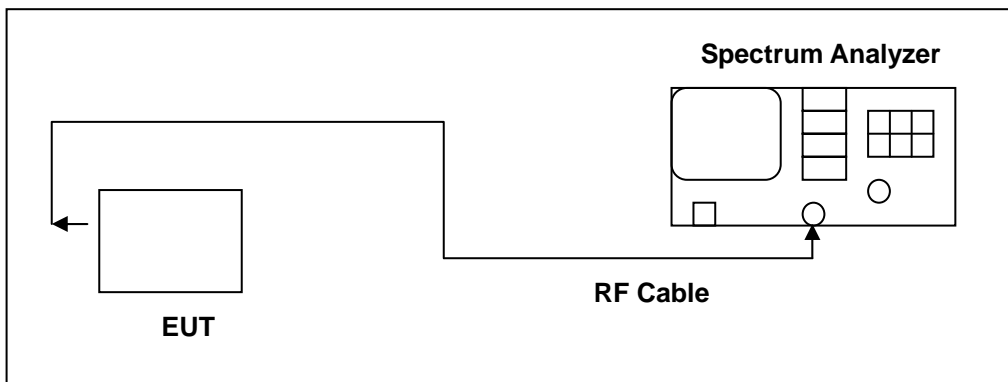
<p>2DH1</p>	 <p>Agilent R T Freq/Channel          Ref 20 dBm Atten 30 dB Δ Mkr1 466.7 μs 0.08 dB          #Peak          Log          10          dB/          Offst 2 dB          LgAv          W1 S2          S3 FS          AL          E(f):          FTun          Center 2.402 000 GHz Span 0 Hz          Res BW 1 MHz #VBW 1 MHz Sweep 10 ms (601 pts)          Copyright 2000-2005 Agilent Technologies</p> <p>Freq/Channel          Center Freq 2.40200000 GHz          Start Freq 2.40200000 GHz          Stop Freq 2.40200000 GHz          CF Step 1.00000000 MHz          Auto Man          Freq Offset 0.00000000 Hz          Signal Track On Off</p>
<p>2DH3</p>	 <p>Agilent R T Freq/Channel          Ref 20 dBm Atten 30 dB Δ Mkr1 1.75 ms 0.79 dB          #Peak          Log          10          dB/          Offst 2 dB          LgAv          W1 S2          S3 FS          AL          E(f):          FTun          Center 2.402 000 GHz Span 0 Hz          Res BW 1 MHz #VBW 1 MHz Sweep 10 ms (601 pts)          Copyright 2000-2005 Agilent Technologies</p> <p>Freq/Channel          Center Freq 2.40200000 GHz          Start Freq 2.40200000 GHz          Stop Freq 2.40200000 GHz          CF Step 1.00000000 MHz          Auto Man          Freq Offset 0.00000000 Hz          Signal Track On Off</p>
<p>2DH5</p>	 <p>Agilent R T Freq/Channel          Ref 20 dBm Atten 30 dB Δ Mkr1 2.984 ms -0.55 dB          #Peak          Log          10          dB/          Offst 2 dB          LgAv          W1 S2          S3 FS          AL          E(f):          FTun          Center 2.402 000 GHz Span 0 Hz          Res BW 1 MHz #VBW 1 MHz Sweep 10 ms (601 pts)          Copyright 2000-2005 Agilent Technologies</p> <p>Freq/Channel          Center Freq 2.40200000 GHz          Start Freq 2.40200000 GHz          Stop Freq 2.40200000 GHz          CF Step 1.00000000 MHz          Auto Man          Freq Offset 0.00000000 Hz          Signal Track On Off</p>

## 11 6dB RF Bandwidth Measurement

### 11.1.Limit

Systems using digital modulation techniques may operate in the 2400–2483.5 MHz bands. The minimum 6 dB band-width shall be at least 500 kHz.

### 11.2.Test Setup



### 11.3.Test Instruments

Equipment	Manufacturer	Model Number	Serial Number	Cal. Date	Remark
Spectrum Analyzer	Agilent	E4445A	MY45300744	12/20/2011	(2)
Test Site	ATL	TE02	TE02	N.C.R.	-----

Remark: (1) Calibration period 1 year. (2) Calibration period 2 years.

NOTE: N.C.R. = No Calibration Request.

### 11.4.Test Procedure

Testing must be done according to this procedure, FCC Public Notice DA 00-705 - Filing and Measurement Guidelines for Frequency Hopping Spread Spectrum Systems. This is the only method recognized by the FCC. The EUT was setup to ANSI C63.4, 2009; tested to DTS test procedure of Oct 2002 KDB558074 for compliance to FCC 47CFR 15.247 requirements.

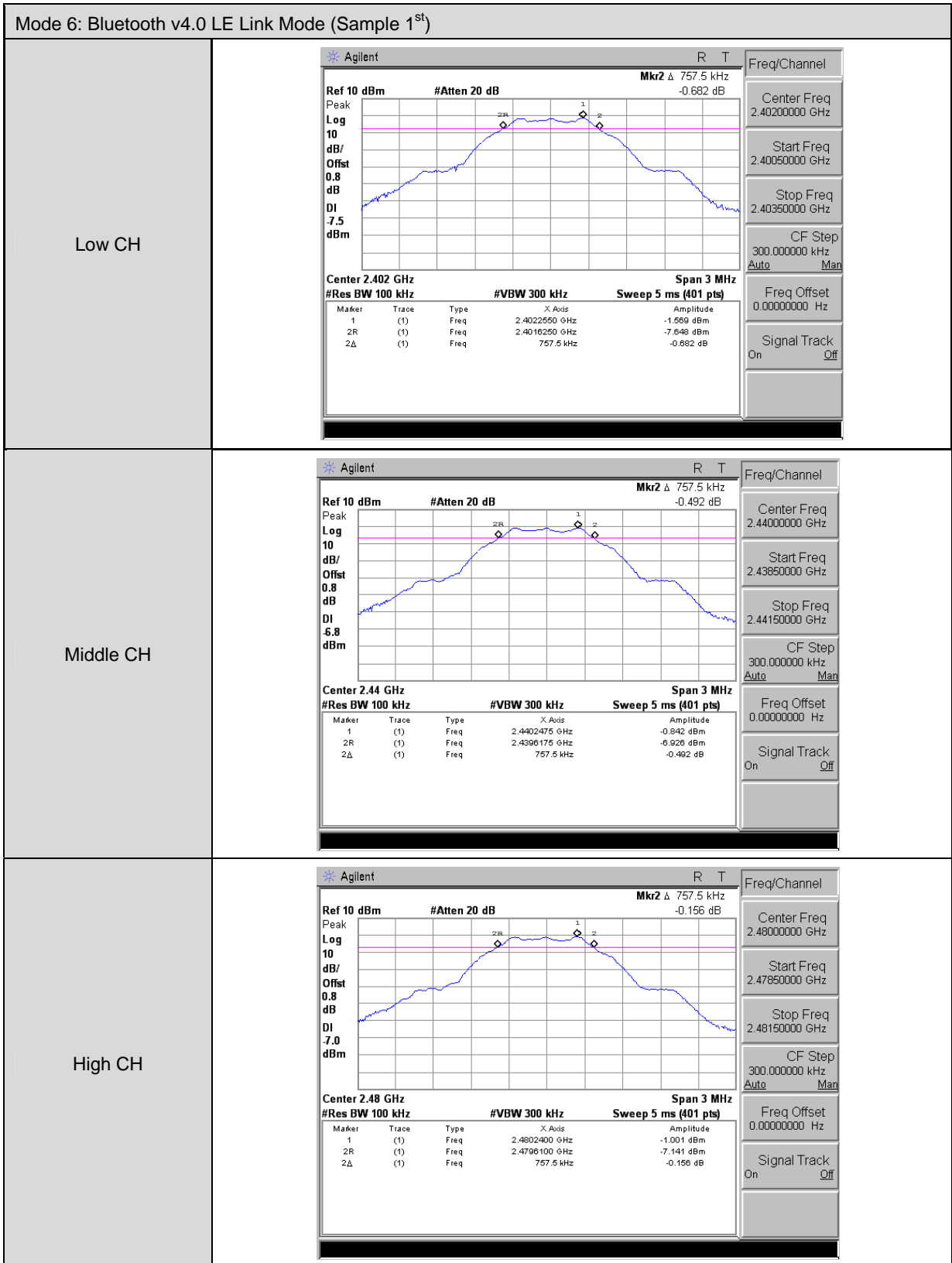
The antenna port of the EUT was connected to the input of a spectrum analyzer. Analyzer RES BW was set to 100 kHz. For each RF output channel investigated, the spectrum analyzer center frequency was set to the channel carrier. A peak output reading was taken, a DISPLAY line was drawn 6 dB lower than peak level. The 6 dB bandwidth was determined from where the channel output spectrum intersected the display line.

The test was performed at 3 channels (Channel low, middle, high)

**11.5. Test Result**

Model Number	PM66100		
Test Item	6dB RF Bandwidth		
Test Mode	Mode 6: Bluetooth v4.0 LE Link Mode (Sample 1 <sup>st</sup> )		
Date of Test	06/29/2012	Test Site	TE02
	Frequency (MHz)	Measurement (kHz)	Limit (kHz)
	2402	757.5	> 500
	2440	757.5	> 500
	2480	757.5	> 500

**11.6. Test Graphs**

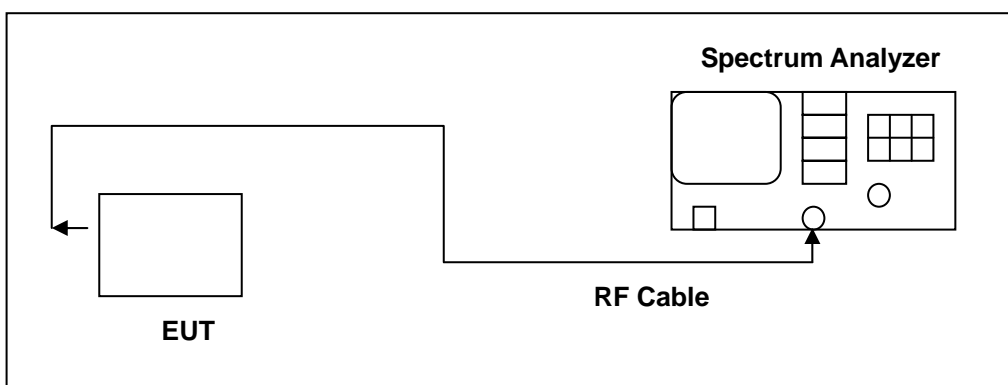


## 12 Maximum Power Density Measurement

### 12.1.Limit

For digitally modulated systems, the power spectral density conducted from the intentional radiator to the antenna shall not be greater than 8 dBm in any 3 kHz band during any time interval of continuous transmission.

### 12.2.Test Setup



### 12.3.Test Instruments

Equipment	Manufacturer	Model Number	Serial Number	Cal. Date	Remark
Spectrum Analyzer	Agilent	E4445A	MY45300744	12/20/2011	(2)
Test Site	ATL	TE02	TE02	N.C.R.	-----

Remark: (1) Calibration period 1 year. (2) Calibration period 2 years.

NOTE: N.C.R. = No Calibration Request.

### 12.4.Test Procedure

Testing must be done according to this procedure, FCC Public Notice DA 00-705 - Filing and Measurement Guidelines for Frequency Hopping Spread Spectrum Systems. This is the only method recognized by the FCC. The EUT was setup to ANSI C63.4, 2009; tested to DTS test procedure of Oct 2002 KDB558074 for compliance to FCC 47CFR 15.247 requirements.

The spectrum analyzer RES BW was set to 3 kHz. The START and STOP frequencies were set to the band edges of the maximum output pass band. If there is no clear maximum amplitude in any given portion of the band, it may be necessary to make measurements at a number of bands defined by several START and STOP frequency pairs. The specification calls for a 1 second interval at each 3 kHz bandwidth; total SWEEP TIME is calculated as follows:

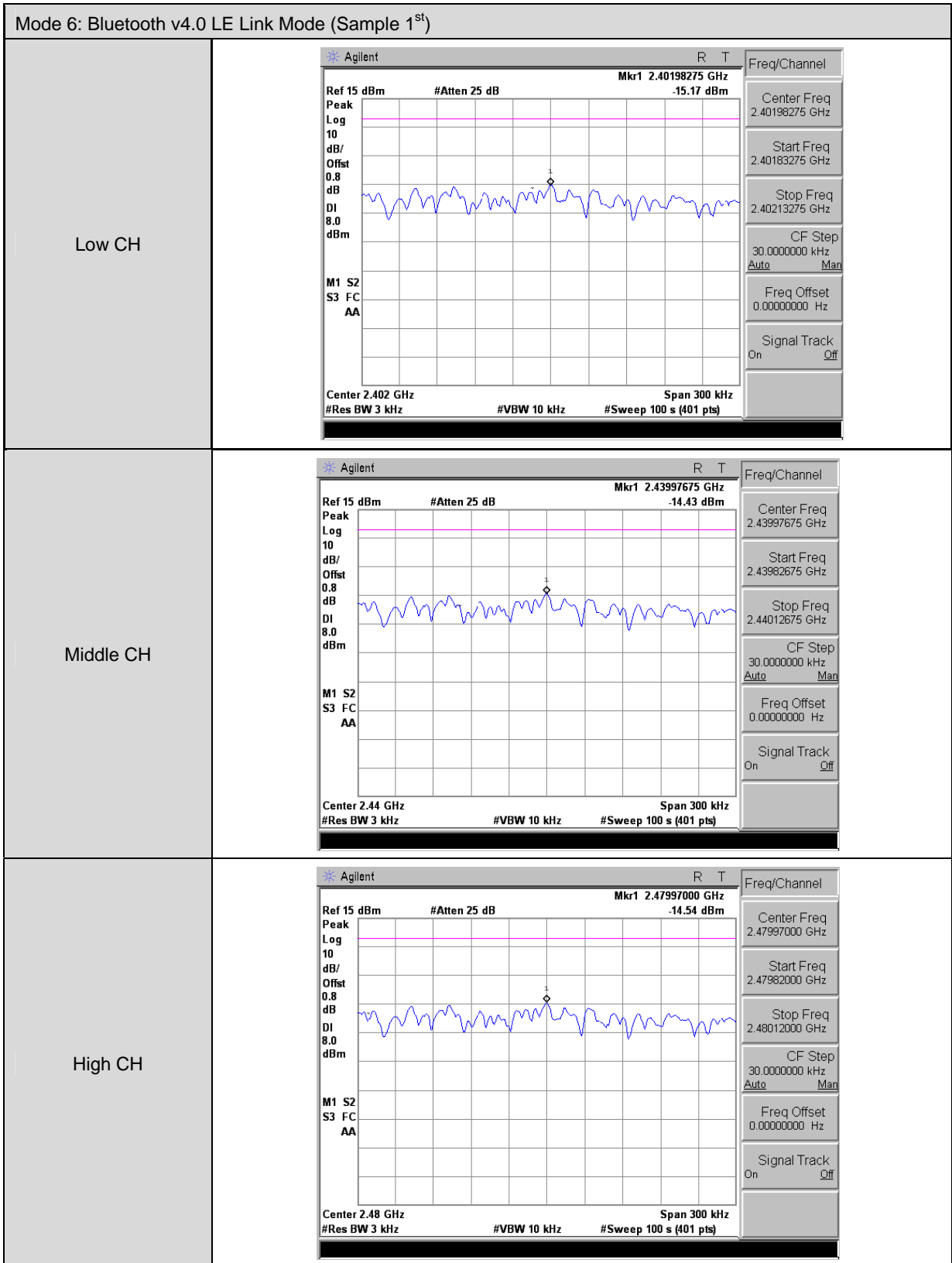
$$\text{SWEEP TIME (SEC)} = (\text{Fstop, kHz} - \text{Fstart, kHz}) / 3 \text{ kHz}$$

Antenna output of the EUT was coupled directly to spectrum analyzer; if an external attenuator and/or cable was used, these losses are compensated for with the analyzer OFFSET function.

**12.5. Test Result**

Model Number	PM66100		
Test Item	Maximum Power Density		
Test Mode	Mode 6: Bluetooth v4.0 LE Link Mode (Sample 1 <sup>st</sup> )		
Date of Test	06/29/2012	Test Site	TE02
	Frequency (MHz)	Measurement (dBm)	Limit (dBm)
	2402	-15.17	< 8
	2440	-14.43	< 8
	2480	-14.45	< 8

**12.6. Test Graphs**



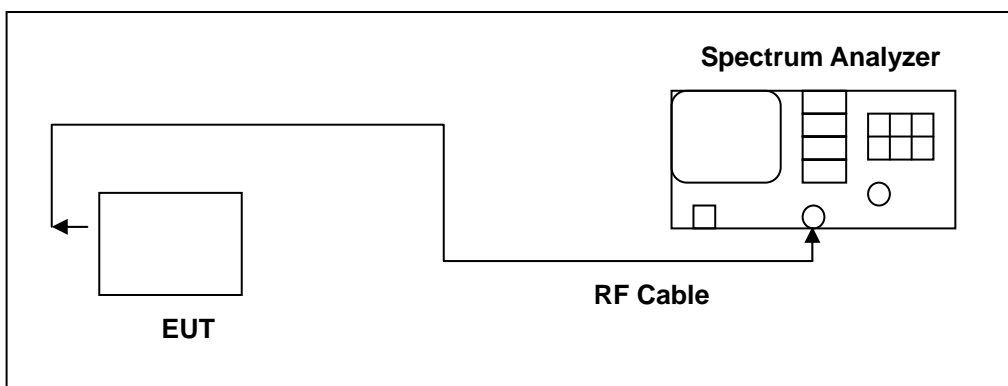


## 13 Out of Band Conducted Emissions Measurement

### 13.1.Limit

In any 100 kHz bandwidth outside the frequency band in which the spread spectrum or digitally modulated intentional radiator is operating, the radio frequency power that is produced by the intentional radiator shall be at least 20 dB below that in the 100 kHz bandwidth within the band that contains the highest level of the desired power

### 13.2.Test Setup



### 13.3.Test Instruments

Equipment	Manufacturer	Model Number	Serial Number	Cal. Date	Remark
Spectrum Analyzer	Agilent	E4445A	MY45300744	12/20/2011	(2)
Spectrum Analyzer	Agilent	E4408B	MY45107753	07/09/2012	(1)
Test Site	ATL	TE02	TE02	N.C.R.	-----

Remark: (1) Calibration period 1 year. (2) Calibration period 2 years.

NOTE: N.C.R. = No Calibration Request.

### 13.4.Test Procedure

Testing must be done according to this procedure, FCC Public Notice DA 00-705 - Filing and Measurement Guidelines for Frequency Hopping Spread Spectrum Systems. This is the only method recognized by the FCC. In any 100 kHz bandwidth outside the EUT pass band, the RF power produced by the modulation products of the spreading sequence, the information sequence, and the carrier frequency shall be at least 20 dB below that of the maximum in-band 100 kHz emission, antenna output of the EUT was coupled directly to spectrum analyzer; if an external attenuator and/or cable was used, these losses are compensated for with the analyzer OFFSET function.

All other types of emissions from the EUT shall meet the general limits for radiated frequencies outside the pass band. The test was performed at 3 channels (Channel 0, 39, 78)

**13.5. Test Graphs**

Mode 3: Bluetooth v3.0\_GFSK Link Mode (Sample 1<sup>st</sup>)

<p>2402</p>	 <table border="1" data-bbox="630 712 1204 884"> <thead> <tr> <th>MKR</th> <th>MODE</th> <th>TRIG</th> <th>SCN</th> <th>X</th> <th>Y</th> <th>FUNCTION</th> <th>FUNCTION WIDTH</th> <th>FUNCTION VALUE</th> </tr> </thead> <tbody> <tr> <td>1</td> <td>N</td> <td>1</td> <td>f</td> <td>2.402 GHz</td> <td>-1.179 dBm</td> <td></td> <td></td> <td></td> </tr> <tr><td>2</td><td></td><td></td><td></td><td></td><td></td><td></td><td></td><td></td></tr> <tr><td>3</td><td></td><td></td><td></td><td></td><td></td><td></td><td></td><td></td></tr> <tr><td>4</td><td></td><td></td><td></td><td></td><td></td><td></td><td></td><td></td></tr> <tr><td>5</td><td></td><td></td><td></td><td></td><td></td><td></td><td></td><td></td></tr> <tr><td>6</td><td></td><td></td><td></td><td></td><td></td><td></td><td></td><td></td></tr> <tr><td>7</td><td></td><td></td><td></td><td></td><td></td><td></td><td></td><td></td></tr> <tr><td>8</td><td></td><td></td><td></td><td></td><td></td><td></td><td></td><td></td></tr> <tr><td>9</td><td></td><td></td><td></td><td></td><td></td><td></td><td></td><td></td></tr> <tr><td>10</td><td></td><td></td><td></td><td></td><td></td><td></td><td></td><td></td></tr> <tr><td>11</td><td></td><td></td><td></td><td></td><td></td><td></td><td></td><td></td></tr> <tr><td>12</td><td></td><td></td><td></td><td></td><td></td><td></td><td></td><td></td></tr> </tbody> </table>	MKR	MODE	TRIG	SCN	X	Y	FUNCTION	FUNCTION WIDTH	FUNCTION VALUE	1	N	1	f	2.402 GHz	-1.179 dBm				2									3									4									5									6									7									8									9									10									11									12								
MKR	MODE	TRIG	SCN	X	Y	FUNCTION	FUNCTION WIDTH	FUNCTION VALUE																																																																																																														
1	N	1	f	2.402 GHz	-1.179 dBm																																																																																																																	
2																																																																																																																						
3																																																																																																																						
4																																																																																																																						
5																																																																																																																						
6																																																																																																																						
7																																																																																																																						
8																																																																																																																						
9																																																																																																																						
10																																																																																																																						
11																																																																																																																						
12																																																																																																																						
<p>2441</p>	 <table border="1" data-bbox="630 1249 1204 1422"> <thead> <tr> <th>MKR</th> <th>MODE</th> <th>TRIG</th> <th>SCN</th> <th>X</th> <th>Y</th> <th>FUNCTION</th> <th>FUNCTION WIDTH</th> <th>FUNCTION VALUE</th> </tr> </thead> <tbody> <tr> <td>1</td> <td>N</td> <td>1</td> <td>f</td> <td>2.441 GHz</td> <td>-1.186 dBm</td> <td></td> <td></td> <td></td> </tr> <tr><td>2</td><td></td><td></td><td></td><td></td><td></td><td></td><td></td><td></td></tr> <tr><td>3</td><td></td><td></td><td></td><td></td><td></td><td></td><td></td><td></td></tr> <tr><td>4</td><td></td><td></td><td></td><td></td><td></td><td></td><td></td><td></td></tr> <tr><td>5</td><td></td><td></td><td></td><td></td><td></td><td></td><td></td><td></td></tr> <tr><td>6</td><td></td><td></td><td></td><td></td><td></td><td></td><td></td><td></td></tr> <tr><td>7</td><td></td><td></td><td></td><td></td><td></td><td></td><td></td><td></td></tr> <tr><td>8</td><td></td><td></td><td></td><td></td><td></td><td></td><td></td><td></td></tr> <tr><td>9</td><td></td><td></td><td></td><td></td><td></td><td></td><td></td><td></td></tr> <tr><td>10</td><td></td><td></td><td></td><td></td><td></td><td></td><td></td><td></td></tr> <tr><td>11</td><td></td><td></td><td></td><td></td><td></td><td></td><td></td><td></td></tr> <tr><td>12</td><td></td><td></td><td></td><td></td><td></td><td></td><td></td><td></td></tr> </tbody> </table>	MKR	MODE	TRIG	SCN	X	Y	FUNCTION	FUNCTION WIDTH	FUNCTION VALUE	1	N	1	f	2.441 GHz	-1.186 dBm				2									3									4									5									6									7									8									9									10									11									12								
MKR	MODE	TRIG	SCN	X	Y	FUNCTION	FUNCTION WIDTH	FUNCTION VALUE																																																																																																														
1	N	1	f	2.441 GHz	-1.186 dBm																																																																																																																	
2																																																																																																																						
3																																																																																																																						
4																																																																																																																						
5																																																																																																																						
6																																																																																																																						
7																																																																																																																						
8																																																																																																																						
9																																																																																																																						
10																																																																																																																						
11																																																																																																																						
12																																																																																																																						
<p>2480</p>	 <table border="1" data-bbox="630 1776 1204 1948"> <thead> <tr> <th>MKR</th> <th>MODE</th> <th>TRIG</th> <th>SCN</th> <th>X</th> <th>Y</th> <th>FUNCTION</th> <th>FUNCTION WIDTH</th> <th>FUNCTION VALUE</th> </tr> </thead> <tbody> <tr> <td>1</td> <td>N</td> <td>1</td> <td>f</td> <td>2.480 GHz</td> <td>-0.824 dBm</td> <td></td> <td></td> <td></td> </tr> <tr><td>2</td><td></td><td></td><td></td><td></td><td></td><td></td><td></td><td></td></tr> <tr><td>3</td><td></td><td></td><td></td><td></td><td></td><td></td><td></td><td></td></tr> <tr><td>4</td><td></td><td></td><td></td><td></td><td></td><td></td><td></td><td></td></tr> <tr><td>5</td><td></td><td></td><td></td><td></td><td></td><td></td><td></td><td></td></tr> <tr><td>6</td><td></td><td></td><td></td><td></td><td></td><td></td><td></td><td></td></tr> <tr><td>7</td><td></td><td></td><td></td><td></td><td></td><td></td><td></td><td></td></tr> <tr><td>8</td><td></td><td></td><td></td><td></td><td></td><td></td><td></td><td></td></tr> <tr><td>9</td><td></td><td></td><td></td><td></td><td></td><td></td><td></td><td></td></tr> <tr><td>10</td><td></td><td></td><td></td><td></td><td></td><td></td><td></td><td></td></tr> <tr><td>11</td><td></td><td></td><td></td><td></td><td></td><td></td><td></td><td></td></tr> <tr><td>12</td><td></td><td></td><td></td><td></td><td></td><td></td><td></td><td></td></tr> </tbody> </table>	MKR	MODE	TRIG	SCN	X	Y	FUNCTION	FUNCTION WIDTH	FUNCTION VALUE	1	N	1	f	2.480 GHz	-0.824 dBm				2									3									4									5									6									7									8									9									10									11									12								
MKR	MODE	TRIG	SCN	X	Y	FUNCTION	FUNCTION WIDTH	FUNCTION VALUE																																																																																																														
1	N	1	f	2.480 GHz	-0.824 dBm																																																																																																																	
2																																																																																																																						
3																																																																																																																						
4																																																																																																																						
5																																																																																																																						
6																																																																																																																						
7																																																																																																																						
8																																																																																																																						
9																																																																																																																						
10																																																																																																																						
11																																																																																																																						
12																																																																																																																						

Mode 5: Bluetooth v3.0\_8DPSK Link Mode (Sample 1<sup>st</sup>)

2402



2441



2480



Mode 6: Bluetooth v4.0 LE Link Mode (Sample 1<sup>st</sup>)

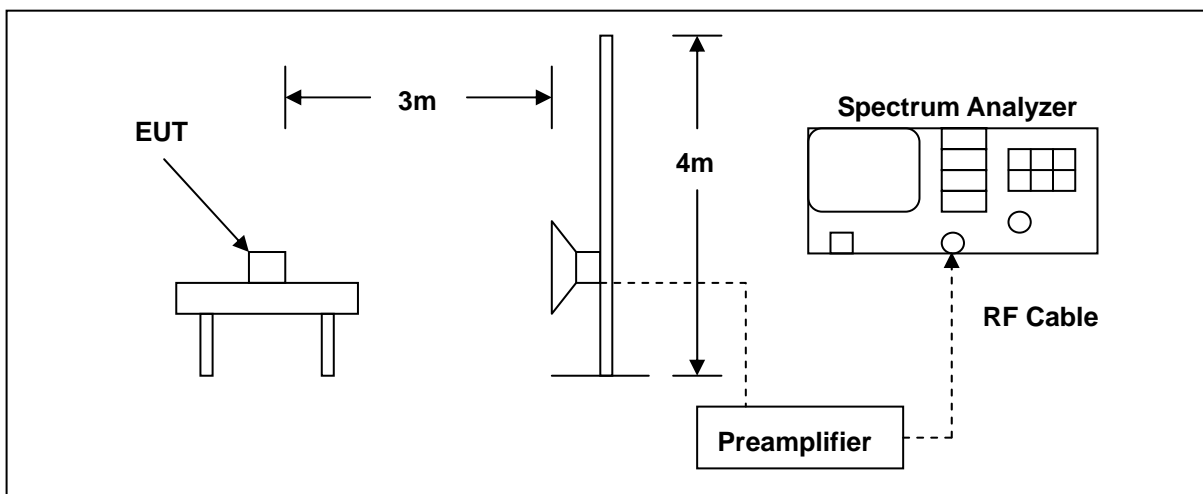
<p>2402</p>	<p>Agilent R T</p> <p>Ref 15 dBm #Atten 25 dB Mkr1 2.40 GHz -2.554 dBm</p> <p>Peak Log 10 dB/Offset 0.8 dB DI -22.5 dBm</p> <p>Start 30 MHz Stop 26.5 GHz</p> <p>#Res BW 100 kHz #VBW 300 kHz Sweep 2.742 s (401 pts)</p> <table border="1"> <thead> <tr> <th>Marker</th> <th>Trace</th> <th>Type</th> <th>X Axis</th> <th>Amplitude</th> </tr> </thead> <tbody> <tr> <td>1</td> <td>(1)</td> <td>Freq</td> <td>2.40 GHz</td> <td>-2.554 dBm</td> </tr> </tbody> </table> <p>Freq/Channel</p> <p>Center Freq 13.2650000 GHz</p> <p>Start Freq 30.0000000 MHz</p> <p>Stop Freq 26.5000000 GHz</p> <p>CF Step 2.64700000 GHz Auto Man</p> <p>Freq Offset 0.0000000 Hz</p> <p>Signal Track On Off</p>	Marker	Trace	Type	X Axis	Amplitude	1	(1)	Freq	2.40 GHz	-2.554 dBm
Marker	Trace	Type	X Axis	Amplitude							
1	(1)	Freq	2.40 GHz	-2.554 dBm							
<p>2440</p>	<p>Agilent R T</p> <p>Ref 15 dBm #Atten 25 dB Mkr1 2.44 GHz -2.182 dBm</p> <p>Peak Log 10 dB/Offset 0.8 dB DI -22.2 dBm</p> <p>Start 30 MHz Stop 26.5 GHz</p> <p>#Res BW 100 kHz #VBW 300 kHz Sweep 2.742 s (401 pts)</p> <table border="1"> <thead> <tr> <th>Marker</th> <th>Trace</th> <th>Type</th> <th>X Axis</th> <th>Amplitude</th> </tr> </thead> <tbody> <tr> <td>1</td> <td>(1)</td> <td>Freq</td> <td>2.44 GHz</td> <td>-2.182 dBm</td> </tr> </tbody> </table> <p>Freq/Channel</p> <p>Center Freq 13.2650000 GHz</p> <p>Start Freq 30.0000000 MHz</p> <p>Stop Freq 26.5000000 GHz</p> <p>CF Step 2.64700000 GHz Auto Man</p> <p>Freq Offset 0.0000000 Hz</p> <p>Signal Track On Off</p>	Marker	Trace	Type	X Axis	Amplitude	1	(1)	Freq	2.44 GHz	-2.182 dBm
Marker	Trace	Type	X Axis	Amplitude							
1	(1)	Freq	2.44 GHz	-2.182 dBm							
<p>2480</p>	<p>Agilent R T</p> <p>Ref 15 dBm #Atten 25 dB Mkr1 2.48 GHz -1.396 dBm</p> <p>Peak Log 10 dB/Offset 0.8 dB DI -21.4 dBm</p> <p>Start 30 MHz Stop 26.5 GHz</p> <p>#Res BW 100 kHz #VBW 300 kHz Sweep 2.742 s (401 pts)</p> <table border="1"> <thead> <tr> <th>Marker</th> <th>Trace</th> <th>Type</th> <th>X Axis</th> <th>Amplitude</th> </tr> </thead> <tbody> <tr> <td>1</td> <td>(1)</td> <td>Freq</td> <td>2.48 GHz</td> <td>-1.396 dBm</td> </tr> </tbody> </table> <p>Freq/Channel</p> <p>Center Freq 13.2650000 GHz</p> <p>Start Freq 30.0000000 MHz</p> <p>Stop Freq 26.5000000 GHz</p> <p>CF Step 2.64700000 GHz Auto Man</p> <p>Freq Offset 0.0000000 Hz</p> <p>Signal Track On Off</p>	Marker	Trace	Type	X Axis	Amplitude	1	(1)	Freq	2.48 GHz	-1.396 dBm
Marker	Trace	Type	X Axis	Amplitude							
1	(1)	Freq	2.48 GHz	-1.396 dBm							

## 14 Band Edges Measurement

### 14.1.Limit

In any 100 kHz bandwidth outside the frequency band in which the spread spectrum or digitally modulated intentional radiator is operating, the radio frequency power that is produced by the intentional radiator shall be at least 20 dB below that in the 100 kHz bandwidth within the band that contains the highest level of the desired power

### 14.2.Test Setup



### 14.3.Test Instruments

Equipment	Manufacturer	Model Number	Serial Number	Cal. Date	Remark
Spectrum Analyzer	Agilent	E4408B	MY45107753	07/09/2012	(1)
Pre Amplifier	Agilent	8449B	3008A02237	02/22/2012	(1)
Horn Antenna	SCHWARZBECK MESS-ELEKTRONIK	9120D	9120D-550	06/15/2012	(1)
Test Site	ATL	TE01	888001	12/20/2011	-----

Remark: (1) Calibration period 1 year. (2) Calibration period 2 years.

NOTE: N.C.R. = No Calibration Request.

#### **14.4. Test Procedure**

Testing must be done according to this procedure, FCC Public Notice DA 00-705 - Filing and Measurement Guidelines for Frequency Hopping Spread Spectrum Systems. This is the only method recognized by the FCC. The emissions on the harmonics frequencies, the limits, and the margin of compliance are presented. These tests were made when the transmitter was in full radiated power. The additional test was performed to show compliance with the requirement at the band-edge frequency 2483.5 MHz and up to 2500 MHz and at 2390.0 MHz.

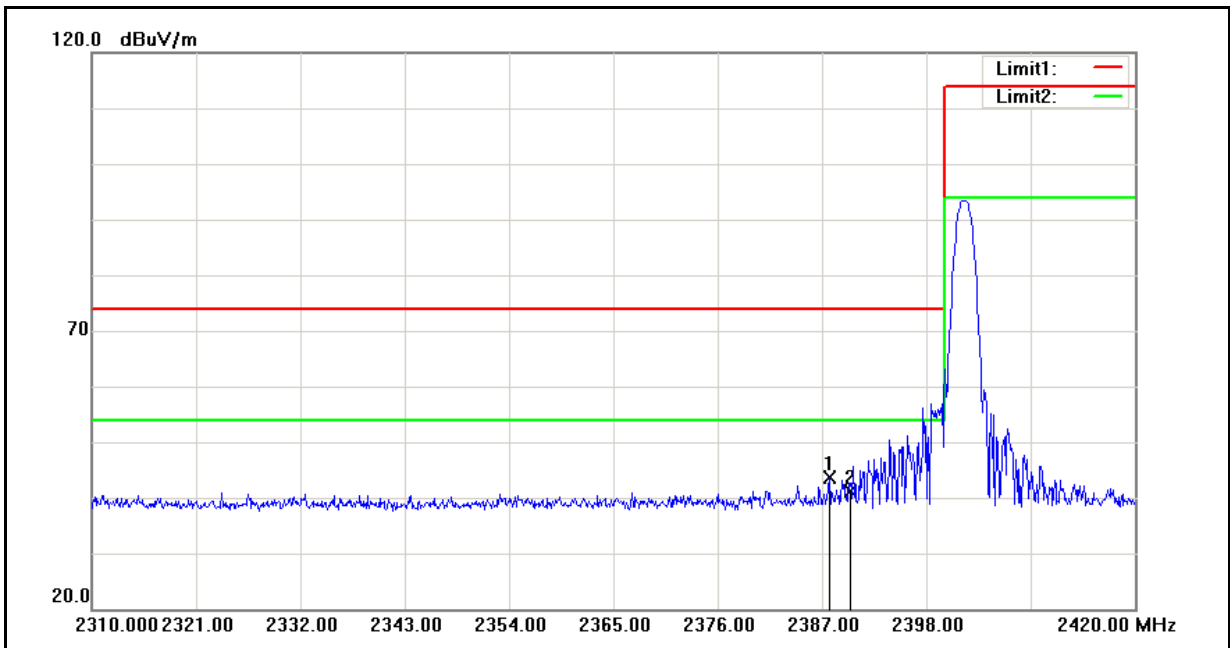
The transmitter was configured with the worst case antenna and setup to transmit at the highest channel. Then the field strength was measured at 2483.5 MHz.

The transmitter was then configured with the worst case antenna and setup to transmit at the lowest channel. Then the field strength was measured at 2390.0 MHz. These tests were performed at 4 different bit rates.

For measurements the resolution bandwidth is set to 1 MHz, and then the video bandwidth is set to 1 MHz for peak measurements and 10 Hz for average measurements.

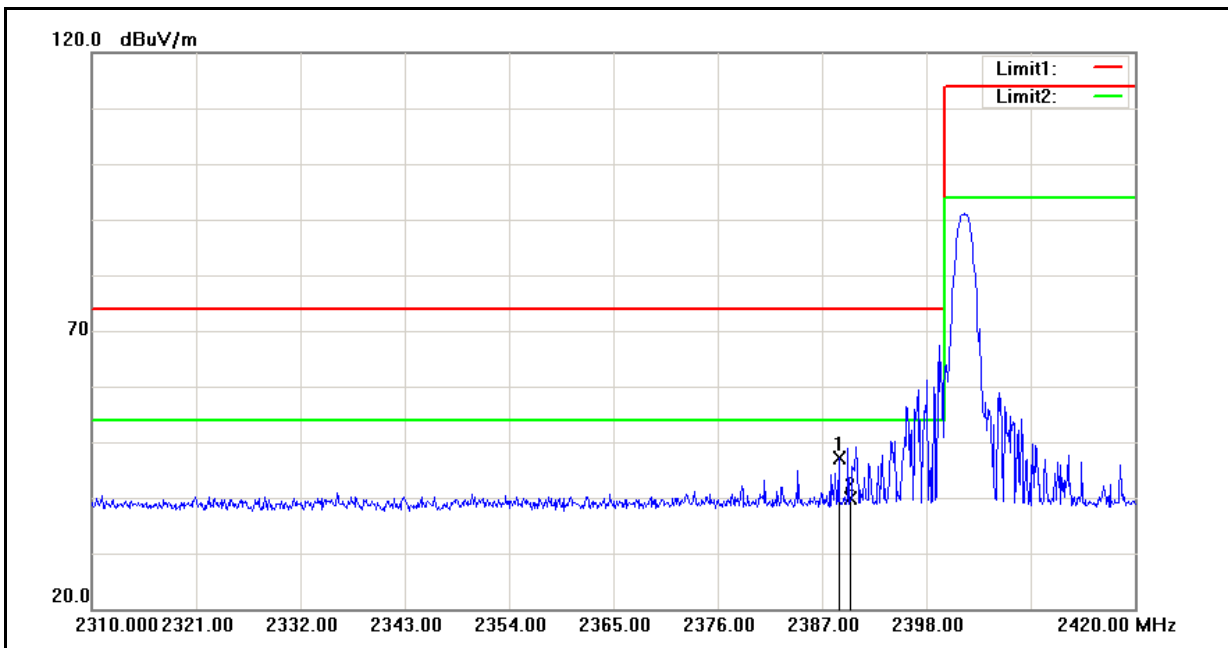
**14.5.Test Result**

Standard:	FCC Part 15C	Test Distance:	3m
Test item:	Radiated Emission	Power:	AC 120V/60Hz
Model Number:	PM66100	Temp.(°C)/Hum.(%RH):	26(°C)/60%RH
Mode:	Mode 3 (Sample 1 <sup>st</sup> )	Date:	07/11/2012
Frequency:	2402 MHz	Test By:	Fly Lu
Ant.Polar.:	Horizontal		



No.	Frequency (MHz)	Reading (dBuV)	Correct Factor(dB/m)	Result (dBuV/m)	Limit (dBuV/m)	Margin (dB)	Remark
1	2387.770	43.61	-0.07	43.54	74.00	-30.46	peak
2	2390.000	41.31	-0.06	41.25	74.00	-32.75	peak

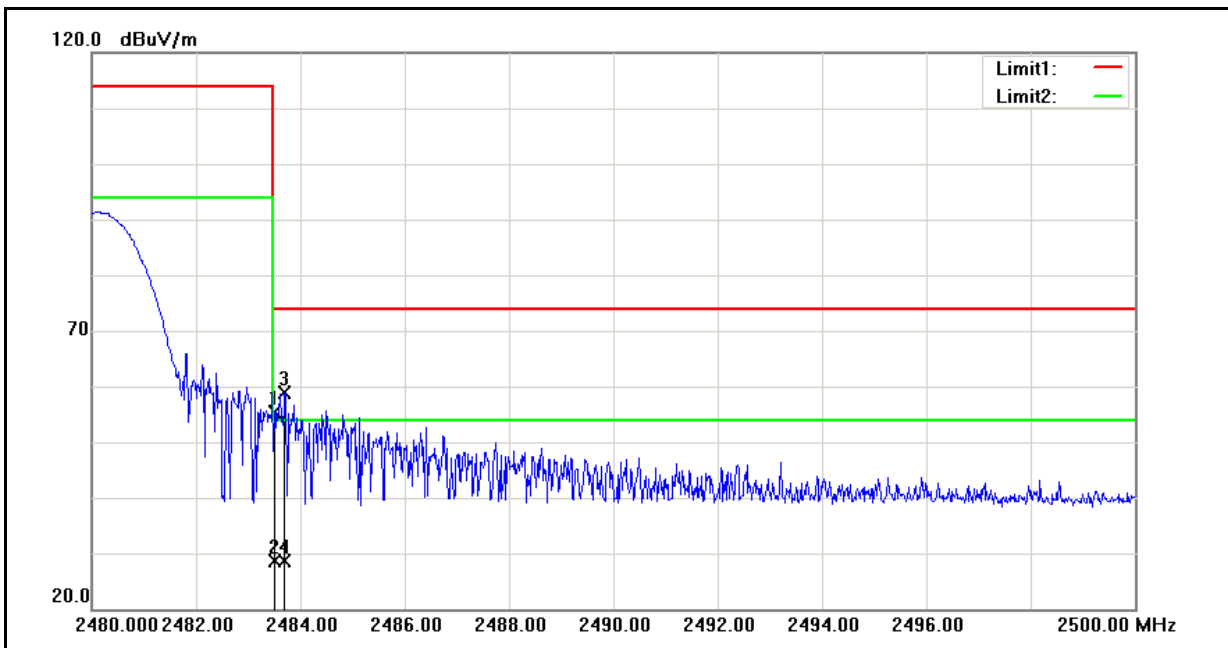
Standard:	FCC Part 15C	Test Distance:	3m
Test item:	Radiated Emission	Power:	AC 120V/60Hz
Model Number:	PM66100	Temp.(°C)/Hum.(%RH):	26(°C)/60%RH
Mode:	Mode 3 (Sample 1 <sup>st</sup> )	Date:	07/11/2012
Frequency:	2402 MHz	Test By:	Fly Lu
Ant.Polar.:	Vertical		



No.	Frequency (MHz)	Reading (dBuV)	Correct Factor(dB/m)	Result (dBuV/m)	Limit (dBuV/m)	Margin (dB)	Remark
1	2388.760	47.09	-0.06	47.03	74.00	-26.97	peak
2	2390.000	40.00	-0.06	39.94	74.00	-34.06	peak

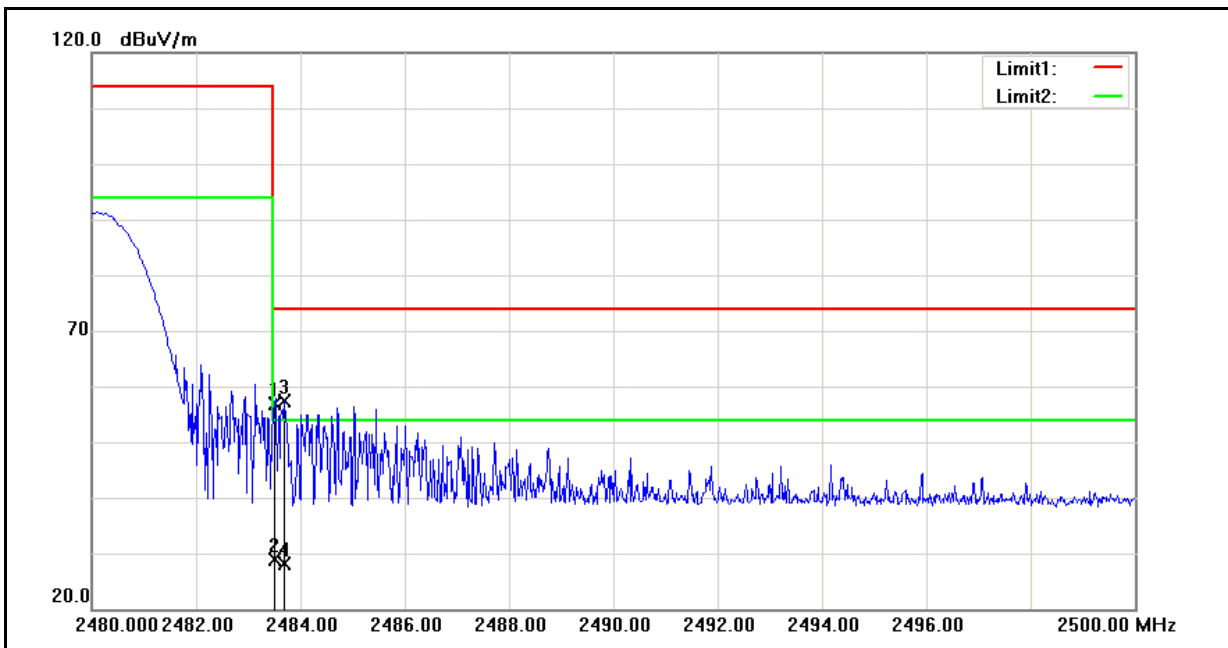


Standard:	FCC Part 15C	Test Distance:	3m
Test item:	Radiated Emission	Power:	AC 120V/60Hz
Model Number:	PM66100	Temp.(°C)/Hum.(%RH):	26(°C)/60%RH
Mode:	Mode 3 (Sample 1 <sup>st</sup> )	Date:	07/11/2012
Frequency:	2480 MHz	Test By:	Fly Lu
Ant.Polar.:	Horizontal		



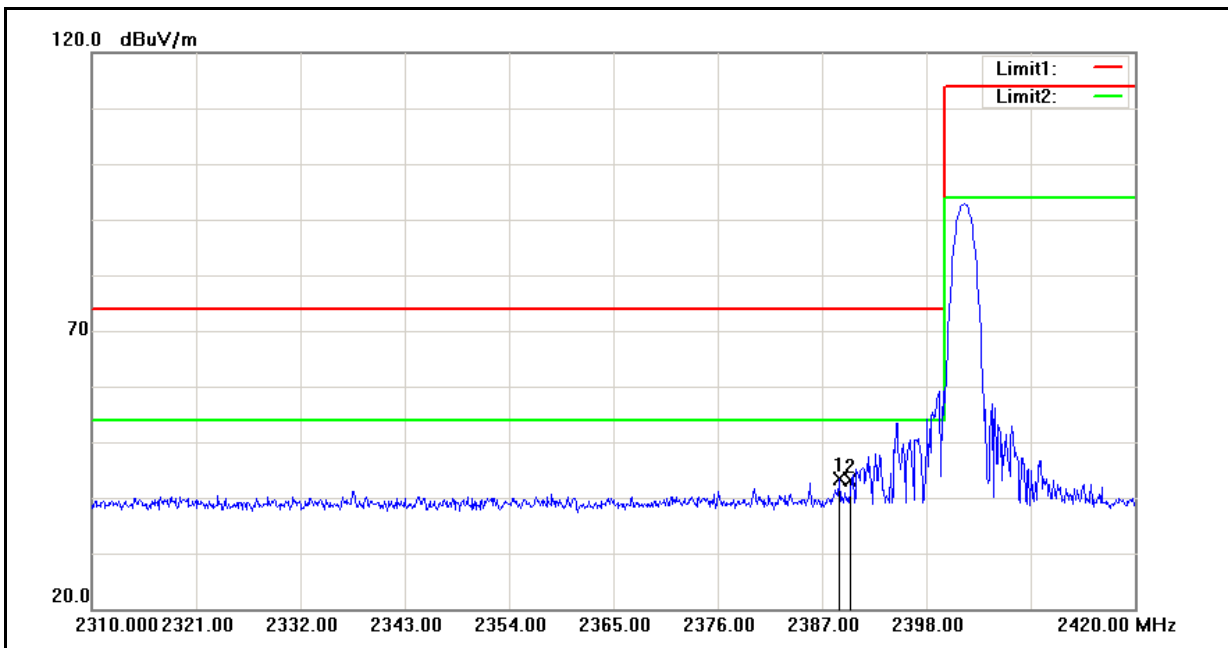
No.	Frequency (MHz)	Reading (dBuV)	Correct Factor(dB/m)	Result (dBuV/m)	Limit (dBuV/m)	Margin (dB)	Remark
1	2483.500	54.93	0.35	55.28	74.00	-18.72	peak
2	2483.500	28.34	0.35	28.69	54.00	-25.31	AVG
3	2483.700	58.52	0.35	58.87	74.00	-15.13	peak
4	2483.700	28.21	0.35	28.56	54.00	-25.44	AVG

Standard:	FCC Part 15C	Test Distance:	3m
Test item:	Radiated Emission	Power:	AC 120V/60Hz
Model Number:	PM66100	Temp.(°C)/Hum.(%RH):	26(°C)/60%RH
Mode:	Mode 3 (Sample 1 <sup>st</sup> )	Date:	07/11/2012
Frequency:	2480 MHz	Test By:	Fly Lu
Ant.Polar.:	Vertical		



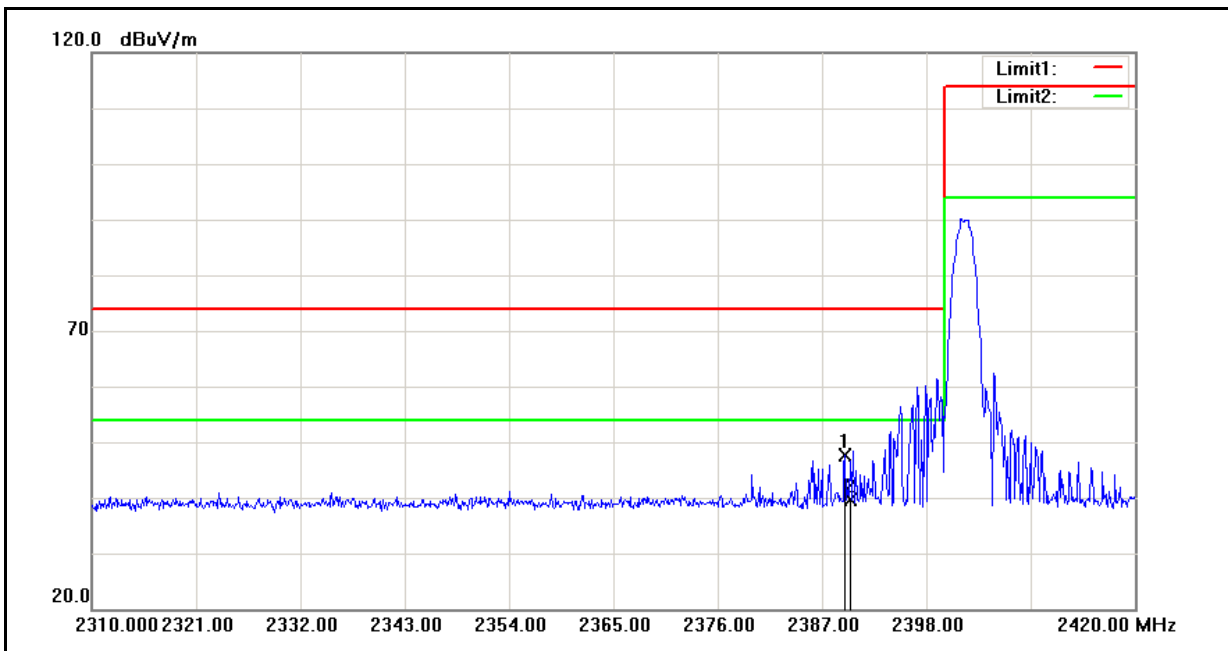
No.	Frequency (MHz)	Reading (dBuV)	Correct Factor(dB/m)	Result (dBuV/m)	Limit (dBuV/m)	Margin (dB)	Remark
1	2483.500	56.65	0.35	57.00	74.00	-17.00	peak
2	2483.500	28.49	0.35	28.84	54.00	-25.16	AVG
3	2483.680	57.10	0.35	57.45	74.00	-16.55	peak
4	2483.680	27.77	0.35	28.12	54.00	-25.88	AVG

Standard:	FCC Part 15C	Test Distance:	3m
Test item:	Radiated Emission	Power:	AC 120V/60Hz
Model Number:	PM66100	Temp.(°C)/Hum.(%RH):	26(°C)/60%RH
Mode:	Mode 5 (Sample 1 <sup>st</sup> )	Date:	07/11/2012
Frequency:	2402 MHz	Test By:	Fly Lu
Ant.Polar.:	Horizontal		



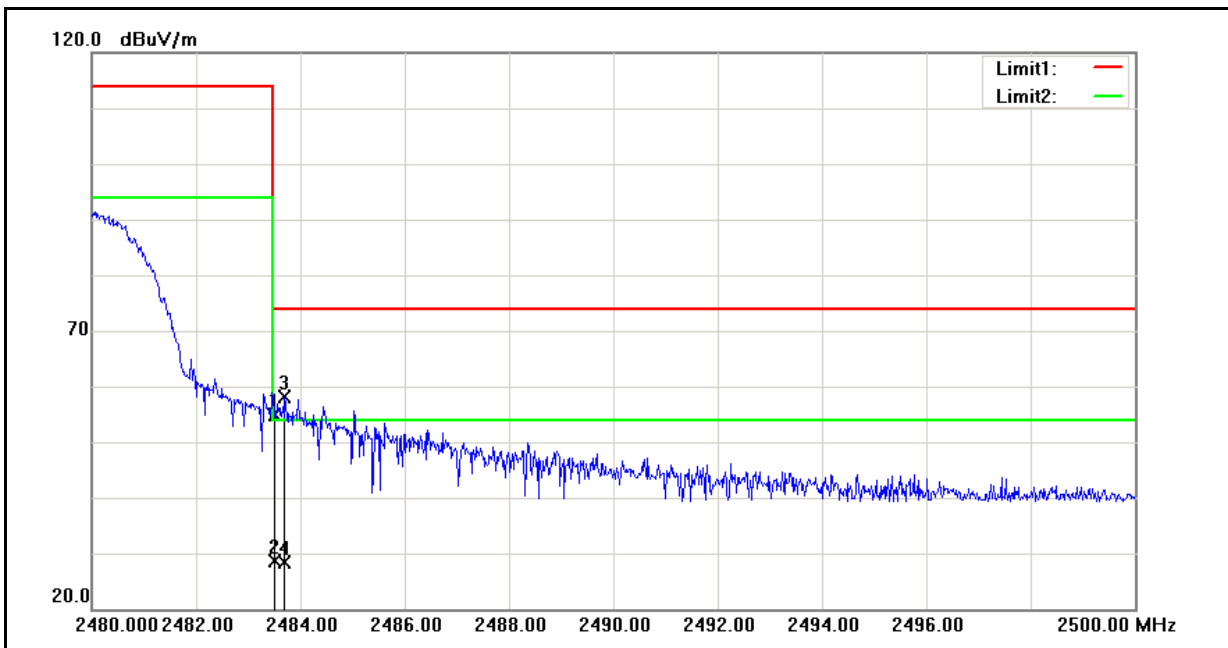
No.	Frequency (MHz)	Reading (dBuV)	Correct Factor(dB/m)	Result (dBuV/m)	Limit (dBuV/m)	Margin (dB)	Remark
1	2388.870	43.36	-0.06	43.30	74.00	-30.70	peak
2	2390.000	43.12	-0.06	43.06	74.00	-30.94	peak

Standard:	FCC Part 15C	Test Distance:	3m
Test item:	Radiated Emission	Power:	AC 120V/60Hz
Model Number:	PM66100	Temp.(°C)/Hum.(%RH):	26(°C)/60%RH
Mode:	Mode 5 (Sample 1 <sup>st</sup> )	Date:	07/11/2012
Frequency:	2402 MHz	Test By:	Fly Lu
Ant.Polar.:	Vertical		



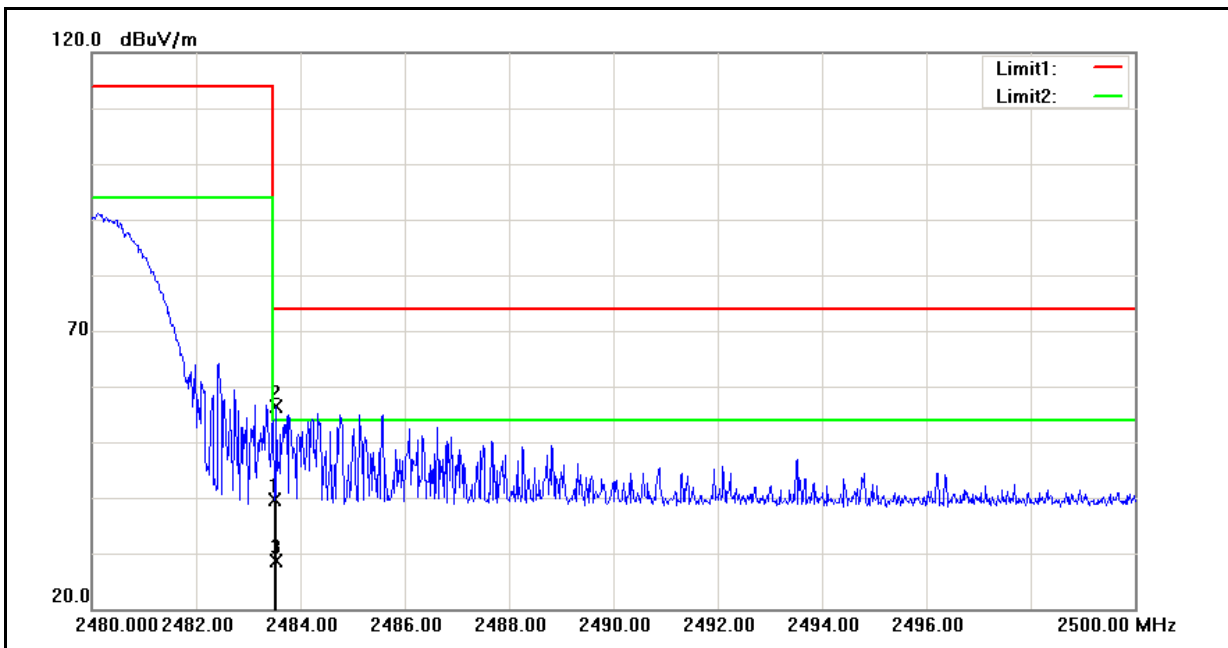
No.	Frequency (MHz)	Reading (dBuV)	Correct Factor(dB/m)	Result (dBuV/m)	Limit (dBuV/m)	Margin (dB)	Remark
1	2389.420	47.79	-0.06	47.73	74.00	-26.27	peak
2	2390.000	39.58	-0.06	39.52	74.00	-34.48	peak

Standard:	FCC Part 15C	Test Distance:	3m
Test item:	Radiated Emission	Power:	AC 120V/60Hz
Model Number:	PM66100	Temp.(°C)/Hum.(%RH):	26(°C)/60%RH
Mode:	Mode 5 (Sample 1 <sup>st</sup> )	Date:	07/11/2012
Frequency:	2480 MHz	Test By:	Fly Lu
Ant.Polar.:	Horizontal		



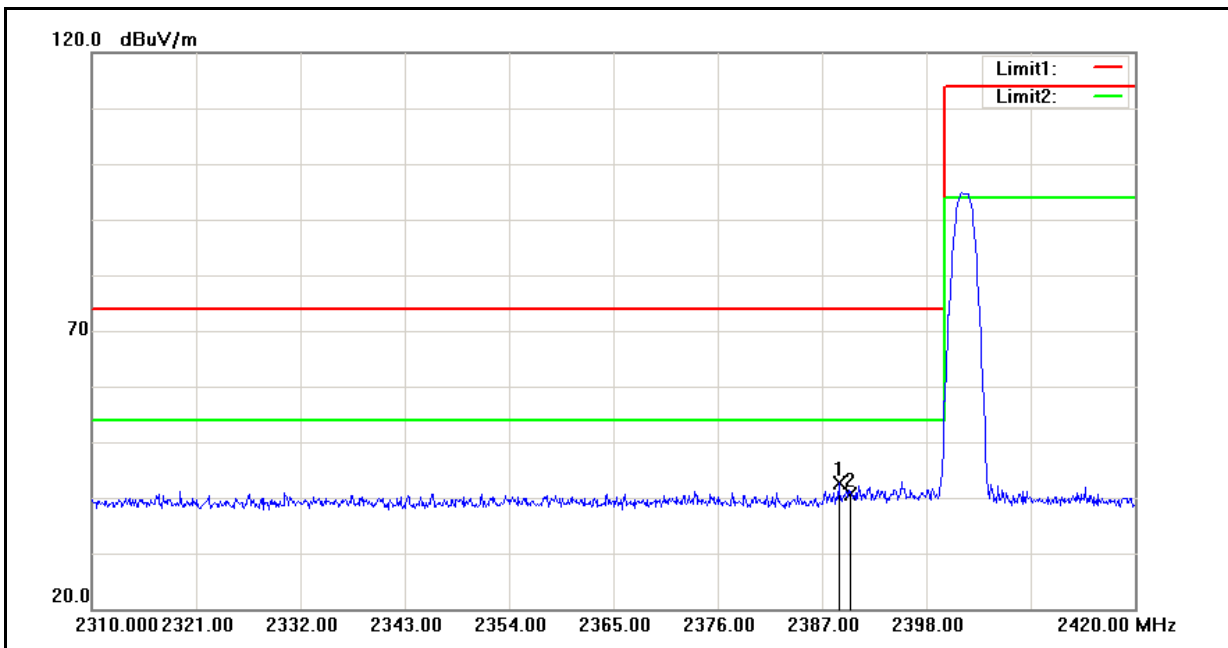
No.	Frequency (MHz)	Reading (dBuV)	Correct Factor(dB/m)	Result (dBuV/m)	Limit (dBuV/m)	Margin (dB)	Remark
1	2483.500	54.51	0.35	54.86	74.00	-19.14	peak
2	2483.500	28.24	0.35	28.59	54.00	-25.41	AVG
3	2483.700	57.70	0.35	58.05	74.00	-15.95	peak
4	2483.700	28.01	0.35	28.36	54.00	-25.64	AVG

Standard:	FCC Part 15C	Test Distance:	3m
Test item:	Radiated Emission	Power:	AC 120V/60Hz
Model Number:	PM66100	Temp.(°C)/Hum.(%RH):	26(°C)/60%RH
Mode:	Mode 5 (Sample 1 <sup>st</sup> )	Date:	07/11/2012
Frequency:	2480 MHz	Test By:	Fly Lu
Ant.Polar.:	Vertical		



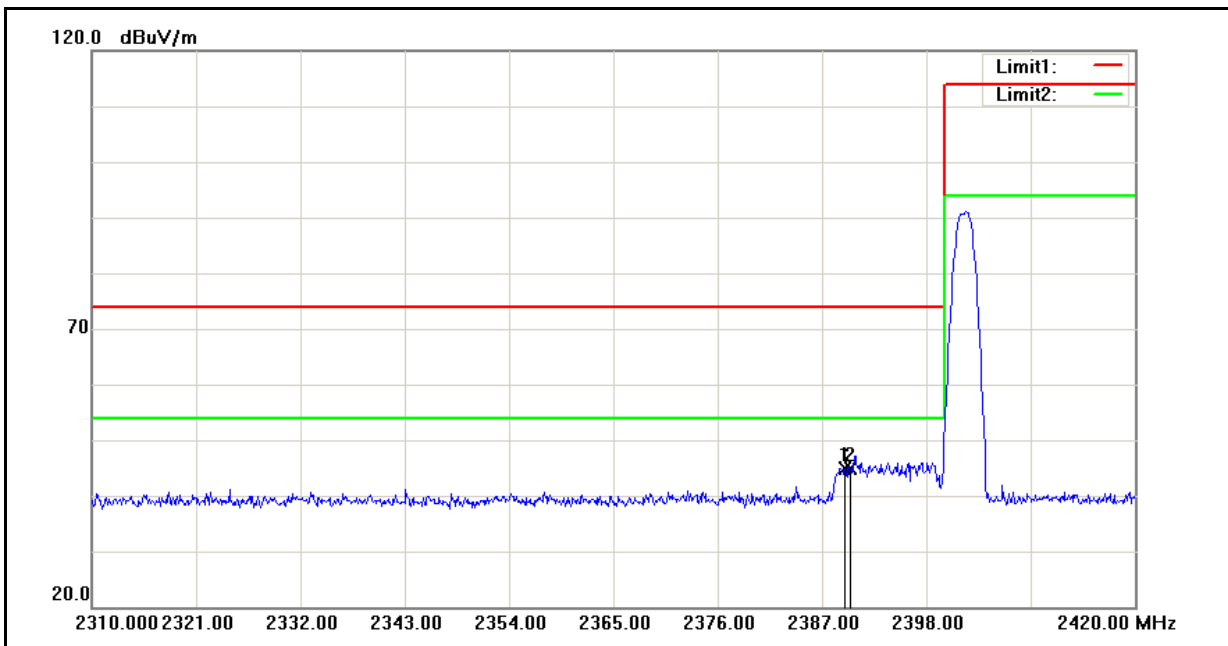
No.	Frequency (MHz)	Reading (dBuV)	Correct Factor(dB/m)	Result (dBuV/m)	Limit (dBuV/m)	Margin (dB)	Remark
1	2483.500	39.18	0.35	39.53	74.00	-34.47	peak
2	2483.540	56.10	0.35	56.45	74.00	-17.55	peak
3	2483.540	28.21	0.35	28.56	54.00	-25.44	AVG

Standard:	FCC Part 15C	Test Distance:	3m
Test item:	Radiated Emission	Power:	AC 120V/60Hz
Model Number:	PM66100	Temp.(°C)/Hum.(%RH):	26(°C)/60%RH
Mode:	Mode 6 (Sample 1 <sup>st</sup> )	Date:	07/11/2012
Frequency:	2402 MHz	Test By:	Fly Lu
Ant.Polar.:	Horizontal		



No.	Frequency (MHz)	Reading (dBuV)	Correct Factor(dB/m)	Result (dBuV/m)	Limit (dBuV/m)	Margin (dB)	Remark
1	2388.760	42.65	-0.06	42.59	74.00	-31.41	peak
2	2390.000	40.63	-0.06	40.57	74.00	-33.43	peak

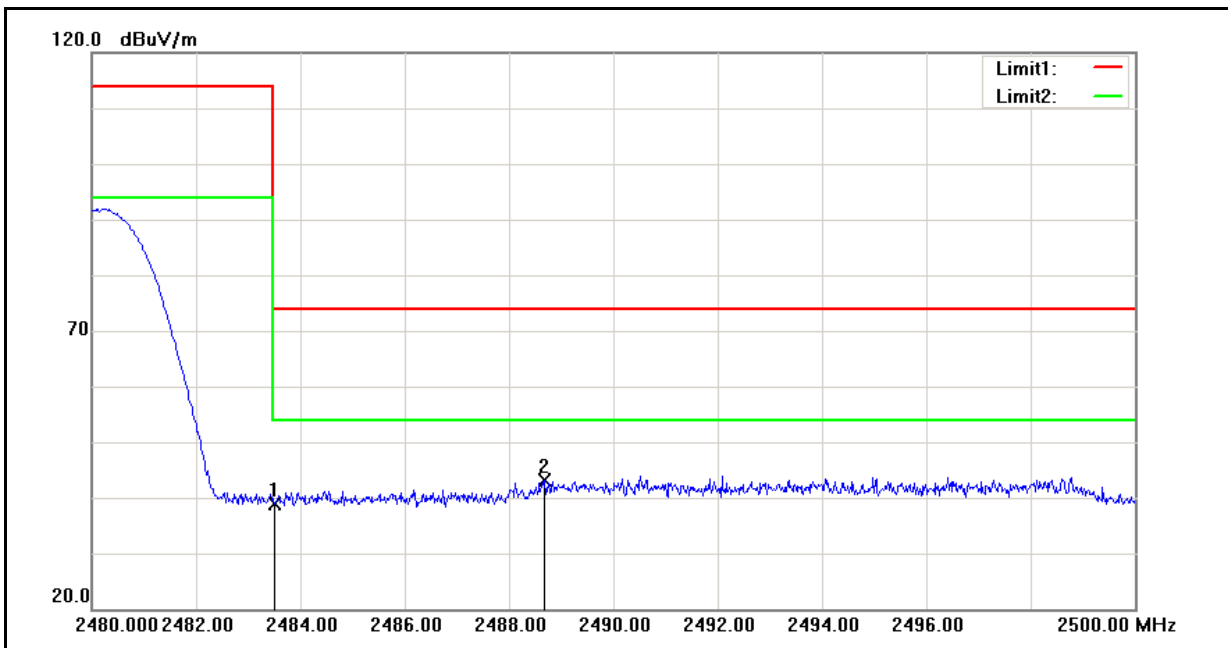
Standard:	FCC Part 15C	Test Distance:	3m
Test item:	Radiated Emission	Power:	AC 120V/60Hz
Model Number:	PM66100	Temp.(°C)/Hum.(%RH):	26(°C)/60%RH
Mode:	Mode 6 (Sample 1 <sup>st</sup> )	Date:	07/11/2012
Frequency:	2402 MHz	Test By:	Fly Lu
Ant.Polar.:	Vertical		



No.	Frequency (MHz)	Reading (dBuV)	Correct Factor(dB/m)	Result (dBuV/m)	Limit (dBuV/m)	Margin (dB)	Remark
1	2389.420	44.87	-0.06	44.81	74.00	-29.19	peak
2	2390.000	44.83	-0.06	44.77	74.00	-29.23	peak

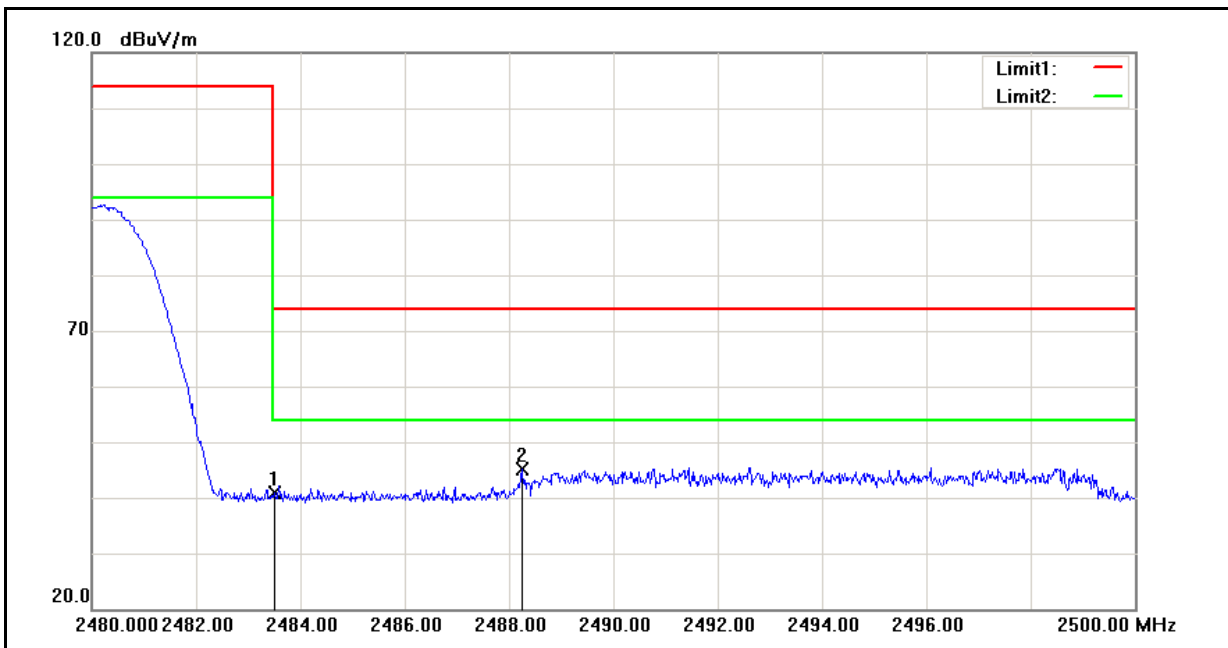


Standard:	FCC Part 15C	Test Distance:	3m
Test item:	Radiated Emission	Power:	AC 120V/60Hz
Model Number:	PM66100	Temp.(°C)/Hum.(%RH):	26(°C)/60%RH
Mode:	Mode 6 (Sample 1 <sup>st</sup> )	Date:	07/11/2012
Frequency:	2480 MHz	Test By:	Fly Lu
Ant.Polar.:	Horizontal		



No.	Frequency (MHz)	Reading (dBuV)	Correct Factor(dB/m)	Result (dBuV/m)	Limit (dBuV/m)	Margin (dB)	Remark
1	2483.500	38.59	0.35	38.94	74.00	-35.06	peak
2	2488.680	42.69	0.38	43.07	74.00	-30.93	peak

Standard:	FCC Part 15C	Test Distance:	3m
Test item:	Radiated Emission	Power:	AC 120V/60Hz
Model Number:	PM66100	Temp.(°C)/Hum.(%RH):	26(°C)/60%RH
Mode:	Mode 6 (Sample 1 <sup>st</sup> )	Date:	07/11/2012
Frequency:	2480 MHz	Test By:	Fly Lu
Ant.Polar.:	Vertical		



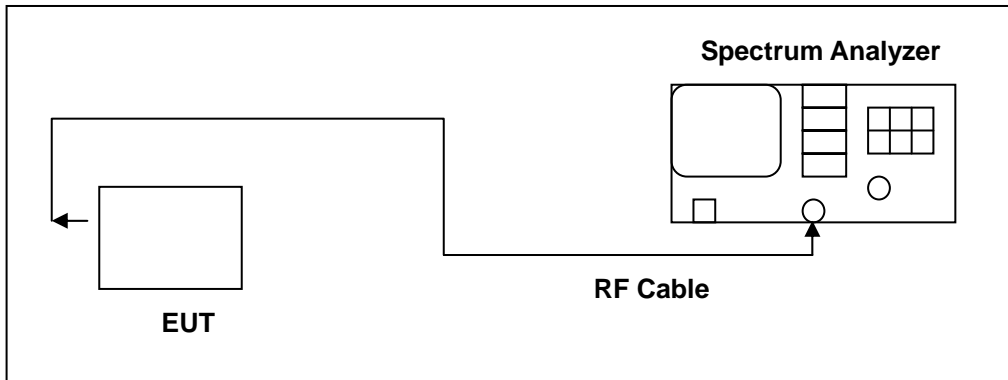
No.	Frequency (MHz)	Reading (dBuV)	Correct Factor(dB/m)	Result (dBuV/m)	Limit (dBuV/m)	Margin (dB)	Remark
1	2483.500	40.48	0.35	40.83	74.00	-33.17	peak
2	2488.240	44.69	0.37	45.06	74.00	-28.94	peak

## 15 99 % Occupied Bandwidth Measurement

### 15.1.Limit

N/A

### 15.2.Test Setup



### 15.3.Test Instruments

Equipment	Manufacturer	Model Number	Serial Number	Cal. Date	Remark
Spectrum Analyzer	Agilent	E4445A	MY45300744	12/20/2011	(2)
Test Site	ATL	TE02	TE02	N.C.R.	-----

Remark: (1) Calibration period 1 year. (2) Calibration period 2 years.

NOTE: N.C.R. = No Calibration Request.

### 15.4.Test Procedure

The transmitter shall be operated at its maximum carrier power measured under normal test conditions. The span of the analyzer shall be set to capture all products of the modulation process, including the emission skirts. The resolution bandwidth shall be set to as close to 1% of the selected span as is possible without being below 1%. The video bandwidth shall be set to 3 times the resolution bandwidth. Video averaging is not permitted. Where practical, a sampling detector shall be used since a peak or peak hold, may produce a wider bandwidth than actual.

The trace data points are recovered and are directly summed in linear terms. The recovered amplitude data points, beginning at the lowest frequency, are placed in a running sum until 0.5% of the total is reached and that frequency recorded. The process is repeated for the highest frequency data points. This frequency is recorded.

**15.5.Test Result**

Model Number	PM66100		
Test Item	99 % Occupied Bandwidth		
Test Mode	Mode 3: Bluetooth v3.0_GFSK Link Mode (Sample 1 <sup>st</sup> )		
Date of Test	07/02/2012	Test Site	TE02
	Frequency (MHz)	Measurement (MHz)	Limit (MHz)
	2402	0.8840078	-----
	2441	0.8840794	-----
	2480	0.8800646	-----

Model Number	PM66100		
Test Item	99 % Occupied Bandwidth		
Test Mode	Mode 5: Bluetooth v3.0_8DPSK Link Mode (Sample 1 <sup>st</sup> )		
Date of Test	07/02/2012	Test Site	TE02
	Frequency (MHz)	Measurement (MHz)	Limit (MHz)
	2402	1.2008	-----
	2441	1.2073	-----
	2480	1.2024	-----

Model Number	PM66100		
Test Item	99 % Occupied Bandwidth		
Test Mode	Mode 6: Bluetooth v4.0 LE Link Mode (Sample 1 <sup>st</sup> )		
Date of Test	06/29/2012	Test Site	TE02
	Frequency (MHz)	Measurement (MHz)	Limit (MHz)
	2402	1.0498	-----
	2440	1.0493	-----
	2480	1.0414	-----

**15.6. Test Graphs**

Mode 3: Bluetooth v3.0_GFSK Link Mode (Sample 1 <sup>st</sup> )	
2402	<p>Agilent R T Freq/Channel</p> <p>Ch Freq 2.402 GHz Trig Free</p> <p>Center Freq 2.40200000 GHz</p> <p>Start Freq 2.40050000 GHz</p> <p>Stop Freq 2.40350000 GHz</p> <p>CF Step 300.000000 kHz Auto Man</p> <p>Freq Offset 0.00000000 Hz</p> <p>Signal Track On Off</p> <p>Ref 22 dBm Atten 30 dB</p> <p>#Samp Log 10 dB/ Offst 2 dB</p> <p>Center 2.402 000 GHz Span 3 MHz</p> <p>#Res BW 30 kHz #VBW 100 kHz Sweep 10.04 ms (601 pts)</p> <p><b>Occupied Bandwidth 884.0078 kHz</b></p> <p>Occ BW % Pwr 99.00 % x dB -26.00 dB</p> <p>Transmit Freq Error 1.262 kHz</p> <p>x dB Bandwidth 1.178 MHz*</p> <p>Copyright 2000-2005 Agilent Technologies</p>
2441	<p>Agilent R T Freq/Channel</p> <p>Ch Freq 2.441 GHz Trig Free</p> <p>Center Freq 2.44100000 GHz</p> <p>Start Freq 2.43950000 GHz</p> <p>Stop Freq 2.44250000 GHz</p> <p>CF Step 300.000000 kHz Auto Man</p> <p>Freq Offset 0.00000000 Hz</p> <p>Signal Track On Off</p> <p>Ref 22 dBm Atten 30 dB</p> <p>#Samp Log 10 dB/ Offst 2 dB</p> <p>Center 2.441 000 GHz Span 3 MHz</p> <p>#Res BW 30 kHz #VBW 100 kHz Sweep 10.04 ms (601 pts)</p> <p><b>Occupied Bandwidth 884.0794 kHz</b></p> <p>Occ BW % Pwr 99.00 % x dB -26.00 dB</p> <p>Transmit Freq Error -4.408 kHz</p> <p>x dB Bandwidth 1.174 MHz*</p> <p>Copyright 2000-2005 Agilent Technologies</p>
2480	<p>Agilent R T Freq/Channel</p> <p>Ch Freq 2.48 GHz Trig Free</p> <p>Center Freq 2.48000000 GHz</p> <p>Start Freq 2.47850000 GHz</p> <p>Stop Freq 2.48150000 GHz</p> <p>CF Step 300.000000 kHz Auto Man</p> <p>Freq Offset 0.00000000 Hz</p> <p>Signal Track On Off</p> <p>Ref 22 dBm Atten 30 dB</p> <p>#Samp Log 10 dB/ Offst 2 dB</p> <p>Center 2.480 000 GHz Span 3 MHz</p> <p>#Res BW 30 kHz #VBW 100 kHz Sweep 10.04 ms (601 pts)</p> <p><b>Occupied Bandwidth 880.0646 kHz</b></p> <p>Occ BW % Pwr 99.00 % x dB -26.00 dB</p> <p>Transmit Freq Error -14.007 kHz</p> <p>x dB Bandwidth 1.197 MHz*</p> <p>Copyright 2000-2005 Agilent Technologies</p>

Mode 5: Bluetooth v3.0_8DPSK Link Mode (Sample 1 <sup>st</sup> )	
2402	<p>Agilent R T Freq/Channel</p> <p>Ch Freq 2.402 GHz Trig Free</p> <p>Center Freq 2.40200000 GHz</p> <p>Start Freq 2.40050000 GHz</p> <p>Stop Freq 2.40350000 GHz</p> <p>CF Step 300.000000 kHz</p> <p>Freq Offset 0.00000000 Hz</p> <p>Signal Track On Off</p> <p>Ref 22 dBm Atten 30 dB</p> <p>Occupied Bandwidth 1.2008 MHz</p> <p>Occ BW % Pwr 99.00 %</p> <p>Transmit Freq Error -2.843 kHz</p> <p>x dB Bandwidth 1.407 MHz*</p> <p>Copyright 2000-2005 Agilent Technologies</p>
2441	<p>Agilent R T Freq/Channel</p> <p>Ch Freq 2.441 GHz Trig Free</p> <p>Center Freq 2.44100000 GHz</p> <p>Start Freq 2.43950000 GHz</p> <p>Stop Freq 2.44250000 GHz</p> <p>CF Step 300.000000 kHz</p> <p>Freq Offset 0.00000000 Hz</p> <p>Signal Track On Off</p> <p>Ref 22 dBm Atten 30 dB</p> <p>Occupied Bandwidth 1.2073 MHz</p> <p>Occ BW % Pwr 99.00 %</p> <p>Transmit Freq Error -10.803 kHz</p> <p>x dB Bandwidth 1.414 MHz*</p> <p>Copyright 2000-2005 Agilent Technologies</p>
2480	<p>Agilent R T Freq/Channel</p> <p>Ch Freq 2.480 GHz Trig Free</p> <p>Center Freq 2.48000000 GHz</p> <p>Start Freq 2.47850000 GHz</p> <p>Stop Freq 2.48150000 GHz</p> <p>CF Step 300.000000 kHz</p> <p>Freq Offset 0.00000000 Hz</p> <p>Signal Track On Off</p> <p>Ref 22 dBm Atten 30 dB</p> <p>Occupied Bandwidth 1.2024 MHz</p> <p>Occ BW % Pwr 99.00 %</p> <p>Transmit Freq Error -16.636 kHz</p> <p>x dB Bandwidth 1.412 MHz*</p> <p>Copyright 2000-2005 Agilent Technologies</p>

Mode 6: Bluetooth v4.0 LE Link Mode (Sample 1 <sup>st</sup> )	
2402	
2440	
2480	

## **16 Antenna Measurement**

### **16.1.Limit**

For intentional device, according to 15.203, an intentional radiator shall be designed to ensure that no antenna other than that furnished by the responsible party shall be used with the device.

And According to 15.247 (b), if transmitting antennas of directional gain greater than 6 dBi are used, the power shall be reduced by the amount in dB that the directional gain of the antenna exceeds 6dBi.

### **16.2.Antenna Connector Construction**

The antenna used in this product is **PIFA antenna**. And the maximum Gain of this antenna is only **0.8 dBi**.