



FCC SAR Test Report

APPLICANT : HTC Corporation
EQUIPMENT : Smartphone
MODEL NAME : PK76110
FCC ID : NM8PK76110
STANDARD : FCC 47 CFR Part 2 (2.1093)
IEEE C95.1-1991
IEEE 1528-2003
FCC OET Bulletin 65 Supplement C (Edition 01-01)

The product was received on Feb. 04, 2012 and completely tested on Feb. 25, 2012. We, SPORTON INTERNATIONAL INC., would like to declare that the tested sample has been evaluated in accordance with the procedures and shown the compliance with the applicable technical standards.

The test results in this report apply exclusively to the tested model / sample. Without written approval of SPORTON INTERNATIONAL INC., the test report shall not be reproduced except in full.

Reviewed by:

Jones Tsai / Manager



SPORTON INTERNATIONAL INC.

No. 52, Hwa Ya 1st Rd., Hwa Ya Technology Park, Kwei-Shan Hsiang, Tao Yuan Hsien, Taiwan, R.O.C.

SPORTON INTERNATIONAL INC.

TEL : 886-3-327-3456

FAX : 886-3-328-4978

FCC ID : NM8PK76110

Page Number : 1 of 44

Report Issued Date : Mar. 06, 2012

Report Version : Rev. 01



Table of Contents

1. Statement of Compliance 4
2. Administration Data 5
2.1 Testing Laboratory 5
2.2 Applicant 5
2.3 Manufacturer 5
2.4 Application Details 5
3. General Information 6
3.1 Description of Device Under Test (DUT) 6
3.2 Applied Standards 7
3.3 Device Category and SAR Limits 7
3.4 Test Conditions 7
4. Specific Absorption Rate (SAR) 8
4.1 Introduction 8
4.2 SAR Definition 8
5. SAR Measurement System 9
5.1 E-Field Probe 10
5.2 Data Acquisition Electronics (DAE) 11
5.3 Robot 11
5.4 Measurement Server 12
5.5 Phantom 12
5.6 Device Holder 13
5.7 Data Storage and Evaluation 15
5.8 Test Equipment List 17
6. Tissue Simulating Liquids 19
7. Uncertainty Assessment 21
8. SAR Measurement Evaluation 23
8.1 Purpose of System Performance check 23
8.2 System Setup 23
8.3 Validation Results 25
9. DUT Testing Position 26
9.1 Define two imaginary lines on the handset 26
9.2 Cheek Position 27
9.3 Tilted Position 27
9.4 Body Worn Position 28
10. Measurement Procedures 29
10.1 Spatial Peak SAR Evaluation 29
10.2 Area & Zoom Scan Procedures 30
10.3 Volume Scan Procedures 30
10.4 SAR Averaged Methods 30
10.5 Power Drift Monitoring 30
11. SAR Test Configurations 31
11.1 Exposure Positions Consideration 31
11.2 Simultaneous Transmitting Configurations 32
12. SAR Test Results 33
12.1 Conducted Power (Unit: dBm) 33
12.2 Test Records for Head SAR Test 37
12.3 Test Records for Hotspot SAR Test 39
12.4 Test Records for Body-worn SAR Test 41
12.5 Simultaneous Multi-band Transmission 43
13. References 44

- Appendix A. Plots of System Performance Check
Appendix B. Plots of SAR Measurement
Appendix C. DASY Calibration Certificate
Appendix D. Test Setup Photos



1. Statement of Compliance

The maximum results of Specific Absorption Rate (SAR) found during testing for **HTC Corporation Smartphone PK76110** are as follows.

<Standalone SAR>

Band	Position	SAR _{1g} (W/kg)
GSM850	Head	0.391
	Body-worn (1 cm Gap)	1.24
	Hotspot(1cm Gap)	1.24
GSM1900	Head	0.165
	Body-worn (1 cm Gap)	1.22
	Hotspot(1cm Gap)	1.22
WCDMA Band V	Head	0.413
	Body-worn (1 cm Gap)	0.681
	Hotspot(1cm Gap)	0.681
WCDMA Band II	Head	0.348
	Body-worn (1 cm Gap)	1.36
	Hotspot(1cm Gap)	1.36
802.11 b/g/n	Head	0.09
	Body-worn (1 cm Gap)	0.335
	Hotspot(1cm Gap)	0.402

This device is in compliance with Specific Absorption Rate (SAR) for general population/uncontrolled exposure limits (1.6 W/kg) specified in FCC 47 CFR part 2 (2.1093) and ANSI/IEEE C95.1-1991, and had been tested in accordance with the measurement methods and procedures specified in IEEE 1528-2003 and FCC OET Bulletin 65 Supplement C (Edition 01-01).

2. Administration Data

2.1 Testing Laboratory

Test Site	SPORTON INTERNATIONAL INC.
Test Site Location	No. 52, Hwa Ya 1 st Rd., Hwa Ya Technology Park, Kwei-Shan Hsiang, Tao Yuan Hsien, Taiwan, R.O.C. TEL: +886-3-327-3456 FAX: +886-3-328-4978

2.2 Applicant

Company Name	HTC Corporation
Address	No. 23, Xinghua Rd., Taoyuan City, Taoyuan County 330, Taiwan

2.3 Manufacturer

Company Name	HTC Corporation
Address	No. 23, Xinghua Rd., Taoyuan City, Taoyuan County 330, Taiwan

2.4 Application Details

Date of Receipt of Application	Feb. 04, 2012
Date of Start during the Test	Feb. 04, 2012
Date of End during the Test	Feb. 25, 2012

3. General Information

3.1 Description of Device Under Test (DUT)

Product Feature & Specification	
DUT Type	Smartphone
Model Name	PK76110
FCC ID	NM8PK76110
Sample 1	EUT with LCM 1, Camera 1, and Battery 1
Sample 2	EUT with LCM 2, Camera 2, and Battery 2
Tx Frequency	GSM850: 824.2 MHz ~ 848.8 MHz GSM1900: 1850.2 MHz ~ 1909.8 MHz WCDMA Band V: 826.4 MHz ~ 846.6 MHz WCDMA Band II: 1852.4 MHz ~ 1907.6 MHz 802.11b/g/n: 2412 MHz ~ 2462 MHz Bluetooth: 2402 MHz ~ 2480 MHz
Rx Frequency	GSM850: 869.2 MHz ~ 893.8 MHz GSM1900: 1930.2 MHz ~ 1989.8 MHz WCDMA Band V: 871.4 MHz ~ 891.6 MHz WCDMA Band II: 1932.4 MHz ~ 1987.6 MHz 802.11b/g/n: 2412 MHz ~ 2462 MHz Bluetooth: 2402 MHz ~ 2480 MHz
Maximum Output Power to Antenna	GSM850: 33.38 dBm GSM1900: 29.64 dBm WCDMA Band V: 22.98 dBm WCDMA Band II: 23.09 dBm 802.11b: 16.72 dBm 802.11g: 12.36 dBm 802.11n (BW 20MHz) (2.4GHz): 12.22 dBm Bluetooth: -1.05 dBm
Antenna Type	WWAN: Fixed Internal Antenna WLAN: PIFA Antenna Bluetooth : PIFA Antenna
Type of Modulation	GSM: GMSK GPRS: GMSK EDGE: GMSK / 8PSK WCDMA: QPSK (Uplink) HSDPA: QPSK (Uplink) HSUPA: QPSK (Uplink) 802.11b: DSSS (BPSK / QPSK / CCK) 802.11g/n: OFDM (BPSK / QPSK / 16QAM / 64QAM) Bluetooth (1Mbps): GFSK Bluetooth EDR (2Mbps): $\pi/4$ -DQPSK Bluetooth EDR (3Mbps): 8-DPSK
Dual Transfer Mode (DTM) Category	Class B – DUT cannot support Packet Switched and Circuit Switched Network simultaneously but can automatically switch between Packet and Circuit Switched Network.
DUT Stage	Identical Prototype
Remark: The above DUT's information was declared by manufacturer. Please refer to the specifications or user's manual for more detailed description.	



3.2 Applied Standards

The Specific Absorption Rate (SAR) testing specification, method and procedure for this device is in accordance with the following standards:

- FCC 47 CFR Part 2 (2.1093)
- IEEE C95.1-1991
- IEEE 1528-2003
- FCC OET Bulletin 65 Supplement C (Edition 01-01)
- FCC KDB 447498 D01 v04
- FCC KDB 648474 D01 v01r05
- FCC KDB 941225 D01 v02
- FCC KDB 941225 D03 v01
- FCC KDB 941225 D06 v01
- FCC KDB 248227 D01 v01r02

3.3 Device Category and SAR Limits

This device belongs to portable device category because its radiating structure is allowed to be used within 20 centimeters of the body of the user. Limit for General Population/Uncontrolled exposure should be applied for this device, it is 1.6 W/kg as averaged over any 1 gram of tissue.

3.4 Test Conditions

3.4.1. Ambient Condition

Ambient Temperature	20 to 24 °C
Humidity	< 60 %

3.4.2. Test Configuration

The device was controlled by using a base station emulator. Communication between the device and the emulator was established by air link. The distance between the DUT and the antenna of the emulator is larger than 50 cm and the output power radiated from the emulator antenna is at least 30 dB smaller than the output power of DUT. The DUT was set from the emulator to radiate maximum output power during all tests.

For WLAN SAR testing, WLAN engineering testing software installed on the DUT can provide continuous transmitting RF signal. This RF signal utilized in SAR measurement has over 99% duty cycle and is treated as 1.

4. Specific Absorption Rate (SAR)

4.1 Introduction

SAR is related to the rate at which energy is absorbed per unit mass in an object exposed to a radio field. The SAR distribution in a biological body is complicated and is usually carried out by experimental techniques or numerical modeling. The standard recommends limits for two tiers of groups, occupational/controlled and general population/uncontrolled, based on a person's awareness and ability to exercise control over his or her exposure. In general, occupational/controlled exposure limits are higher than the limits for general population/uncontrolled.

4.2 SAR Definition

The SAR definition is the time derivative (rate) of the incremental energy (dW) absorbed by (dissipated in) an incremental mass (dm) contained in a volume element (dv) of a given density (ρ). The equation description is as below:

$$\text{SAR} = \frac{d}{dt} \left(\frac{dW}{dm} \right) = \frac{d}{dt} \left(\frac{dW}{\rho dv} \right)$$

SAR is expressed in units of Watts per kilogram (W/kg)

SAR measurement can be either related to the temperature elevation in tissue by

$$\text{SAR} = C \left(\frac{\delta T}{\delta t} \right)$$

Where: C is the specific heat capacity, δT is the temperature rise and δt is the exposure duration, or related to the electrical field in the tissue by

$$\text{SAR} = \frac{\sigma |E|^2}{\rho}$$

Where: σ is the conductivity of the tissue, ρ is the mass density of the tissue and E is the RMS electrical field strength.

However for evaluating SAR of low power transmitter, electrical field measurement is typically applied.

5. SAR Measurement System

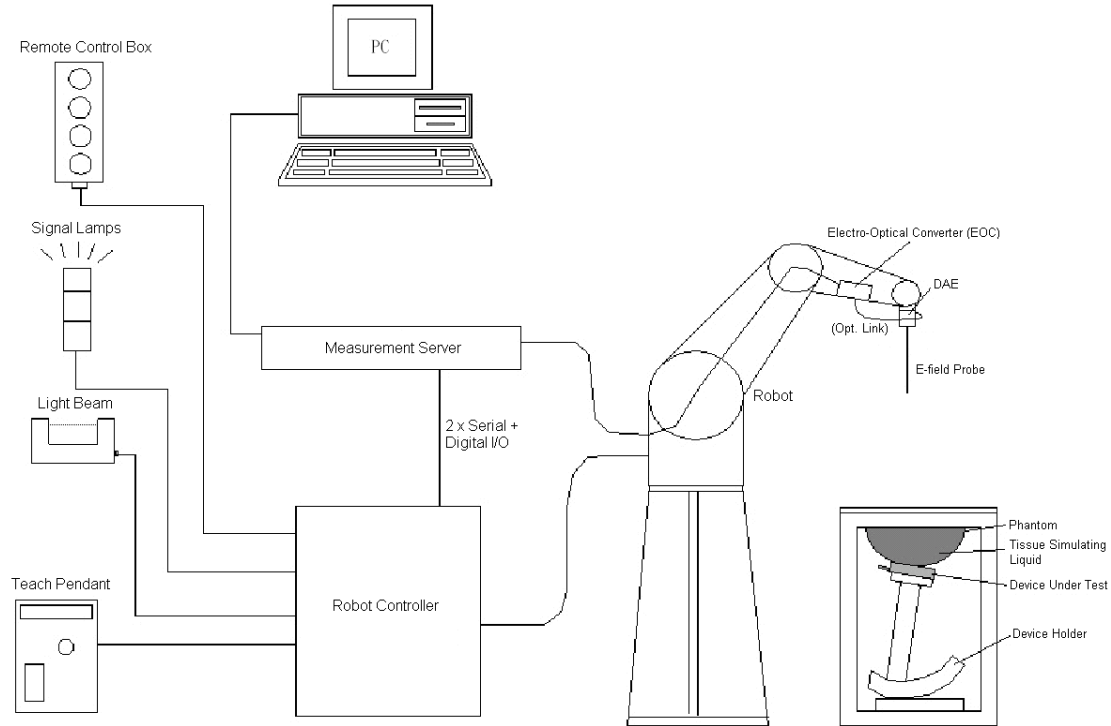


Fig 5.1 SPEAG DASY System Configurations

The DASY system for performance compliance tests is illustrated above graphically. This system consists of the following items:

- A standard high precision 6-axis robot with controller, a teach pendant and software
- A data acquisition electronic (DAE) attached to the robot arm extension
- A dosimetric probe equipped with an optical surface detector system
- The electro-optical converter (EOC) performs the conversion between optical and electrical signals
- A measurement server performs the time critical tasks such as signal filtering, control of the robot operation and fast movement interrupts.
- A probe alignment unit which improves the accuracy of the probe positioning
- A computer operating Windows XP
- DASY software
- Remote control with teach pendant and additional circuitry for robot safety such as warning lamps, etc.
- The SAM twin phantom
- A device holder
- Tissue simulating liquid
- Dipole for evaluating the proper functioning of the system

Some of the components are described in details in the following sub-sections.

5.1 E-Field Probe

The SAR measurement is conducted with the dosimetric probe (manufactured by SPEAG). The probe is specially designed and calibrated for use in liquid with high permittivity. The dosimetric probe has special calibration in liquid at different frequency. This probe has a built in optical surface detection system to prevent from collision with phantom.

5.1.1. E-Field Probe Specification

<ET3DV6 Probe >

Construction	Symmetrical design with triangular core Built-in optical fiber for surface detection system. Built-in shielding against static charges. PEEK enclosure material (resistant to organic solvents, e.g., DGBE)
Frequency	10 MHz to 3 GHz; Linearity: ± 0.2 dB
Directivity	± 0.2 dB in HSL (rotation around probe axis) ± 0.4 dB in HSL (rotation normal to probe axis)
Dynamic Range	5 μ W/g to 100 mW/g; Linearity: ± 0.2 dB
Dimensions	Overall length: 330 mm (Tip: 16 mm) Tip diameter: 6.8 mm (Body: 12 mm) Distance from probe tip to dipole centers: 2.7 mm



Fig 5.2 Photo of ET3DV6

<EX3DV4 Probe>

Construction	Symmetrical design with triangular core Built-in shielding against static charges PEEK enclosure material (resistant to organic solvents, e.g., DGBE)
Frequency	10 MHz to 6 GHz; Linearity: ± 0.2 dB
Directivity	± 0.3 dB in HSL (rotation around probe axis) ± 0.5 dB in tissue material (rotation normal to probe axis)
Dynamic Range	10 μ W/g to 100 mW/g; Linearity: ± 0.2 dB (noise: typically < 1 μ W/g)
Dimensions	Overall length: 330 mm (Tip: 20 mm) Tip diameter: 2.5 mm (Body: 12 mm) Typical distance from probe tip to dipole centers: 1 mm



Fig 5.3 Photo of EX3DV4

5.1.2. E-Field Probe Calibration

Each probe needs to be calibrated according to a dosimetric assessment procedure with accuracy better than $\pm 10\%$. The spherical isotropy shall be evaluated and within ± 0.25 dB. The sensitivity parameters (NormX, NormY, and NormZ), the diode compression parameter (DCP) and the conversion factor (ConvF) of the probe are tested. The calibration data can be referred to appendix C of this report.

5.2 Data Acquisition Electronics (DAE)

The data acquisition electronics (DAE) consists of a highly sensitive electrometer-grade preamplifier with auto-zeroing, a channel and gain-switching multiplexer, a fast 16 bit AD-converter and a command decoder and control logic unit. Transmission to the measurement server is accomplished through an optical downlink for data and status information as well as an optical uplink for commands and the clock.

The input impedance of the DAE is 200 MOhm; the inputs are symmetrical and floating. Common mode rejection is above 80 dB.



Fig 5.4 Photo of DAE

5.3 Robot

The SPEAG DASY system uses the high precision robots (DASY4: RX90BL; DASY5: TX90XL) type from Stäubli SA (France). For the 6-axis controller system, the robot controller version (DASY4: CS7MB; DASY5: CS8c) from Stäubli is used. The Stäubli robot series have many features that are important for our application:

- High precision (repeatability ± 0.035 mm)
- High reliability (industrial design)
- Jerk-free straight movements
- Low ELF interference (the closed metallic construction shields against motor control fields)



Fig 5.5 Photo of DASY4



Fig 5.6 Photo of DASY5

5.4 Measurement Server

The measurement server is based on a PC/104 CPU board with CPU (DASY4: 166 MHz, Intel Pentium; DASY5: 400 MHz, Intel Celeron), chipdisk (DASY4: 32 MB; DASY5: 128 MB), RAM (DASY4: 64 MB, DASY5: 128 MB). The necessary circuits for communication with the DAE electronic box, as well as the 16 bit AD converter system for optical detection and digital I/O interface are contained on the DASY I/O board, which is directly connected to the PC/104 bus of the CPU board.

The measurement server performs all the real-time data evaluation for field measurements and surface detection, controls robot movements and handles safety operations.



Fig 5.7 Photo of Server for DASY4



Fig 5.8 Photo of Server for DASY5

5.5 Phantom

<SAM Twin Phantom>

Shell Thickness	2 ± 0.2 mm; Center ear point: 6 ± 0.2 mm
Filling Volume	Approx. 25 liters
Dimensions	Length: 1000 mm; Width: 500 mm; Height: adjustable feet
Measurement Areas	Left Hand, Right Hand, Flat Phantom

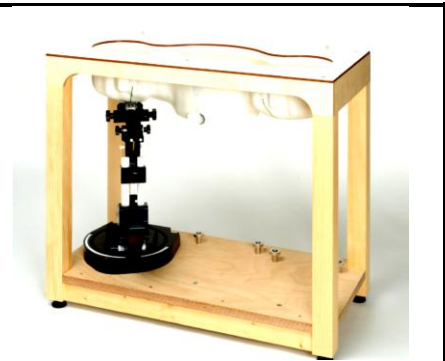


Fig 5.9 Photo of SAM Phantom

The bottom plate contains three pair of bolts for locking the device holder. The device holder positions are adjusted to the standard measurement positions in the three sections. A white cover is provided to tap the phantom during off-periods to prevent water evaporation and changes in the liquid parameters. On the phantom top, three reference markers are provided to identify the phantom position with respect to the robot.

<ELI4 Phantom>

Shell Thickness	2 ± 0.2 mm (sagging: <1%)
Filling Volume	Approx. 30 liters
Dimensions	Major ellipse axis: 600 mm Minor axis: 400 mm



Fig 5.10 Photo of ELI4 Phantom

The ELI4 phantom is intended for compliance testing of handheld and body-mounted wireless devices in the frequency range of 30 MHz to 6 GHz. ELI4 is fully compatible with standard and all known tissue simulating liquids.

5.6 Device Holder

<Device Holder for SAM Twin Phantom>

The SAR in the phantom is approximately inversely proportional to the square of the distance between the source and the liquid surface. For a source at 5 mm distance, a positioning uncertainty of ± 0.5 mm would produce a SAR uncertainty of ± 20 %. Accurate device positioning is therefore crucial for accurate and repeatable measurements. The positions in which the devices must be measured are defined by the standards.

The DASY device holder is designed to cope with different positions given in the standard. It has two scales for the device rotation (with respect to the body axis) and the device inclination (with respect to the line between the ear reference points). The rotation center for both scales is the ear reference point (EPR). Thus the device needs no repositioning when changing the angles.

The DASY device holder is constructed of low-loss POM material having the following dielectric parameters: relative permittivity $\epsilon = 3$ and loss tangent $\delta = 0.02$. The amount of dielectric material has been reduced in the closest vicinity of the device, since measurements have suggested that the influence of the clamp on the test results could thus be lowered.



Fig 5.11 Device Holder

<Laptop Extension Kit>

The extension is lightweight and made of POM, acrylic glass and foam. It fits easily on the upper part of the mounting device in place of the phone positioned. The extension is fully compatible with the SAM Twin and ELI phantoms.

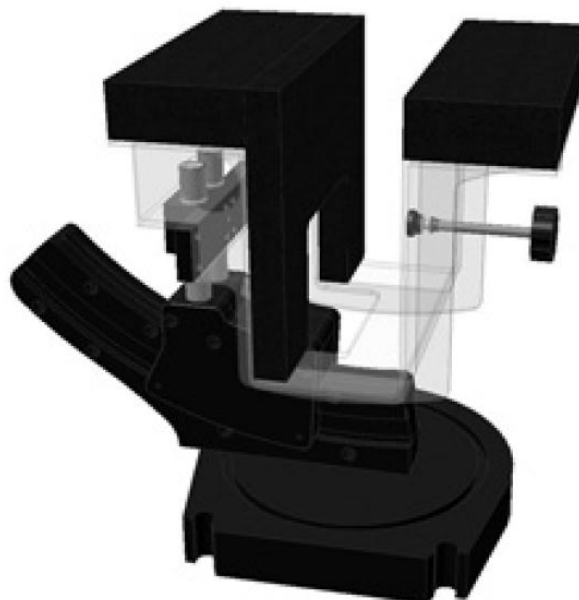


Fig 5.12 Laptop Extension Kit



5.7 Data Storage and Evaluation

5.7.1. Data Storage

The DASY software stores the assessed data from the data acquisition electronics as raw data (in microvolt readings from the probe sensors), together with all the necessary software parameters for the data evaluation (probe calibration data, liquid parameters and device frequency and modulation data) in measurement files. The post-processing software evaluates the desired unit and format for output each time the data is visualized or exported. This allows verification of the complete software setup even after the measurement and allows correction of erroneous parameter settings. For example, if a measurement has been performed with an incorrect crest factor parameter in the device setup, the parameter can be corrected afterwards and the data can be reevaluated.

The measured data can be visualized or exported in different units or formats, depending on the selected probe type (e.g., [V/m], [A/m], [mW/g]). Some of these units are not available in certain situations or give meaningless results, e.g., a SAR-output in a non-lose media, will always be zero. Raw data can also be exported to perform the evaluation with other software packages.

5.7.2. Data Evaluation

The DASY post-processing software (SEMCAD) automatically executes the following procedures to calculate the field units from the microvolt readings at the probe connector. The parameters used in the evaluation are stored in the configuration modules of the software :

Probe parameters :	- Sensitivity	$Norm_i, a_{i0}, a_{i1}, a_{i2}$
	- Conversion factor	$ConvF_i$
	- Diode compression point	dcp_i
Device parameters :	- Frequency	f
	- Crest factor	cf
Media parameters :	- Conductivity	σ
	- Density	ρ

These parameters must be set correctly in the software. They can be found in the component documents or they can be imported into the software from the configuration files issued for the DASY components. In the direct measuring mode of the multi-meter option, the parameters of the actual system setup are used. In the scan visualization and export modes, the parameters stored in the corresponding document files are used.

The first step of the evaluation is a linearization of the filtered input signal to account for the compression characteristics of the detector diode. The compensation depends on the input signal, the diode type and the DC-transmission factor from the diode to the evaluation electronics. If the exciting field is pulsed, the crest factor of the signal must be known to correctly compensate for peak power.

The formula for each channel can be given as :

$$V_i = U_i + U_i^2 \cdot \frac{cf}{dcp_i}$$

with V_i = compensated signal of channel i, (i = x, y, z)
 U_i = input signal of channel i, (i = x, y, z)
 cf = crest factor of exciting field (DASY parameter)
 dcp_i = diode compression point (DASY parameter)

From the compensated input signals, the primary field data for each channel can be evaluated :

$$\text{E-field Probes : } E_i = \sqrt{\frac{V_i}{\text{Norm}_i \cdot \text{ConvF}}}$$

$$\text{H-field Probes : } H_i = \sqrt{V_i} \cdot \frac{a_{i0} + a_{i1}f + a_{i2}f^2}{f}$$

with V_i = compensated signal of channel i, (i = x, y, z)
 Norm_i = sensor sensitivity of channel i, (i = x, y, z), $\mu V/(V/m)^2$ for E-field Probes
 ConvF = sensitivity enhancement in solution
 a_{ij} = sensor sensitivity factors for H-field probes
 f = carrier frequency [GHz]
 E_i = electric field strength of channel i in V/m
 H_i = magnetic field strength of channel i in A/m

The RSS value of the field components gives the total field strength (Hermitian magnitude) :

$$E_{\text{tot}} = \sqrt{E_x^2 + E_y^2 + E_z^2}$$

The primary field data are used to calculate the derived field units.

$$\text{SAR} = E_{\text{tot}}^2 \cdot \frac{\sigma}{\rho \cdot 1000}$$

with SAR = local specific absorption rate in mW/g
 E_{tot} = total field strength in V/m
 σ = conductivity in [mho/m] or [Siemens/m]
 ρ = equivalent tissue density in g/cm³

Note that the density is set to 1, to account for actual head tissue density rather than the density of the tissue simulating liquid.



5.8 Test Equipment List

Manufacturer	Name of Equipment	Type/Model	Serial Number	Calibration	
				Last Cal.	Due Date
SPEAG	Dosimetric E-Field Probe	ET3DV6	1787	May. 20, 2011	May. 19, 2012
SPEAG	Dosimetric E-Field Probe	ET3DV6	1788	Jan. 26, 2012	Jan. 25, 2013
SPEAG	Dosimetric E-Field Probe	EX3DV4	3792	Jun. 20, 2011	Jun. 19, 2012
SPEAG	Dosimetric E-Field Probe	ES3DV3	3270	Sep. 12, 2011	Sep. 11, 2012
SPEAG	Dosimetric E-Field Probe	EX3DV4	3831	Jan. 04, 2012	Jan. 03, 2013
SPEAG	835MHz System Validation Kit	D835V2	499	Mar. 22, 2010	Mar. 21, 2013
SPEAG	1900MHz System Validation Kit	D1900V2	5d041	Mar. 23, 2010	Mar. 22, 2013
SPEAG	2450MHz System Validation Kit	D2450V2	736	Jul. 25, 2011	Jul. 24, 2014
SPEAG	Data Acquisition Electronics	DAE3	577	Jun. 20, 2011	Jun. 19, 2012
SPEAG	Data Acquisition Electronics	DAE4	778	Nov. 22, 2011	Nov. 21, 2012
SPEAG	Data Acquisition Electronics	DAE3	495	Apr. 28, 2011	Apr. 27, 2012
SPEAG	Data Acquisition Electronics	DAE4	679	Jun. 24, 2011	Jun. 23, 2012
SPEAG	Device Holder	N/A	N/A	NCR	NCR
SPEAG	SAM Phantom	QD 000 P40 C	TP-1303	NCR	NCR
SPEAG	SAM Phantom	QD 000 P40 C	TP-1383	NCR	NCR
SPEAG	SAM Phantom	QD 000 P40 C	TP-1446	NCR	NCR
SPEAG	SAM Phantom	QD 000 P40 C	TP-1478	NCR	NCR
SPEAG	SAM Phantom	QD 000 P41 C	TP-1150	NCR	NCR
SPEAG	SAM Phantom	QD 000 P40 CD	TP-1644	NCR	NCR
SPEAG	SAM Phantom	SM 000 T01 DA	TP-1542	NCR	NCR
SPEAG	ELI4 Phantom	QD 0VA 001 BB	1026	NCR	NCR
SPEAG	ELI4 Phantom	QD 0VA 001 BA	1029	NCR	NCR
SPEAG	ELI4 Phantom	QD 0VA 002 AA	TP-1127	NCR	NCR
SPEAG	ELI4 Phantom	QD 0VA 002 AA	TP-1131	NCR	NCR



Manufacturer	Name of Equipment	Type/Model	Serial Number	Calibration	
				Last Cal.	Due Date
Agilent	ENA Series Network Analyzer	E5071C	MY46100746	Jun. 10, 2011	Jun. 09, 2012
Anritsu	Radio Communication Analyzer	MT8820C	6201026480	Aug. 12, 2011	Aug. 11, 2012
Agilent	ESG Vector Series Signal Generator	E4438C	MY49070755	Oct. 17, 2011	Oct. 16, 2012
Anritsu	Power Meter	ML2495A	932001	Sep. 21, 2011	Sep. 20, 2012
Agilent	Wireless Communication Test Set	E5515C	MY48360820	Jan. 05, 2012	Jan. 04, 2014
Agilent	Wireless Communication Test Set	E5515C	MY50260107	Jul. 16, 2010	Jul. 15, 2012
Agilent	Wireless Communication Test Set	E5515C	GB46311322	Mar. 23, 2011	Mar. 22, 2013
Agilent	Wireless Communication Test Set	E5515C	MY50264370	Apr. 19, 2011	Apr. 18, 2013
Agilent	Wireless Communication Test Set	E5515C	MY50266977	Nov. 13, 2011	Nov. 12, 2013
R&S	Universal Radio Communication Tester	CMU200	117995	Jul. 28, 2011	Jul. 27, 2012
Agilent	Dielectric Probe Kit	85070D	US01440205	NCR	NCR
Agilent	Dual Directional Coupler	778D	50422	NCR	NCR
AR	Power Amplifier	5S1G4M2	0328767	NCR	NCR
	Attenuator			NCR	NCR
R&S	Spectrum Analyzer	FSP7	101131	Jul. 29, 2011	Jul. 28, 2012
R&S	Spectrum Analyzer	FSP30	101329	May. 03, 2011	May. 02, 2012

Table 5.1 Test Equipment List

Note:

1. The calibration certificate of DASY can be referred to appendix C of this report.
2. Referring to KDB450824 D02, the dipole calibration interval can be extended to 3 years with justification. The dipoles are also not physically damaged, or repaired during the interval.
3. The justification data of dipole D835V2, SN: 499, D1900V2, SN: 5d041 can be found in appendix C. The return loss is < -20dB, within 20% of prior calibration, the impedance is within 5 ohm of prior calibration.

6. Tissue Simulating Liquids

For the measurement of the field distribution inside the SAM phantom with DASY, the phantom must be filled with around 25 liters of homogeneous body tissue simulating liquid. For head SAR testing, the liquid height from the ear reference point (ERP) of the phantom to the liquid top surface is larger than 15 cm, which is shown in Fig. 6.1. For body SAR testing, the liquid height from the center of the flat phantom to the liquid top surface is larger than 15 cm, which is shown in Fig. 6.2.

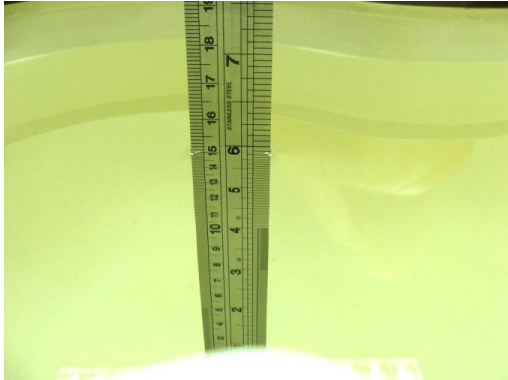


Fig 6.1 Photo of Liquid Height for Head SAR

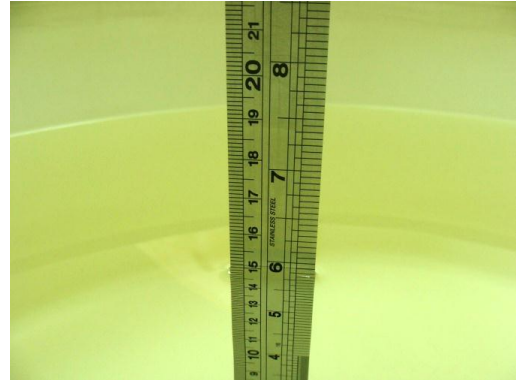


Fig 6.2 Photo of Liquid Height for Body SAR

The following table gives the recipes for tissue simulating liquid.

Frequency (MHz)	Water (%)	Sugar (%)	Cellulose (%)	Salt (%)	Preventol (%)	DGBE (%)	Conductivity (σ)	Permittivity (ϵ_r)
For Head								
835	40.3	57.9	0.2	1.4	0.2	0	0.90	41.5
900	40.3	57.9	0.2	1.4	0.2	0	0.97	41.5
1800, 1900, 2000	55.2	0	0	0.3	0	44.5	1.40	40.0
2450	55.0	0	0	0	0	45.0	1.80	39.2
For Body								
835	50.8	48.2	0	0.9	0.1	0	0.97	55.2
900	50.8	48.2	0	0.9	0.1	0	1.05	55.0
1800, 1900, 2000	70.2	0	0	0.4	0	29.4	1.52	53.3
2450	68.6	0	0	0	0	31.4	1.95	52.7

Table 6.1 Recipes of Tissue Simulating Liquid



The dielectric parameters of the liquids were verified prior to the SAR evaluation using an Agilent 85070D Dielectric Probe Kit and an Agilent Network Analyzer.

Freq. (MHz)	Liquid Type	Temp. (°C)	Conductivity (σ)	Permittivity (ϵ_r)	Conductivity Target (σ)	Permittivity Target (ϵ_r)	Delta (σ) (%)	Delta (ϵ_r) (%)	Limit (%)	Date
835	Head	21.4	0.886	41.3	0.90	41.5	-1.56	-0.48	±5	Feb. 05, 2012
835	Head	21.5	0.898	41.3	0.9	41.5	-0.22	-0.48	±5	Feb. 21, 2012
835	Head	21.5	0.928	41.791	0.90	41.5	3.11	0.70	±5	Feb. 22, 2012
835	Body	21.4	0.963	54.5	0.97	55.2	-0.72	-1.27	±5	Feb. 04, 2012
835	Body	21.5	0.964	54.5	0.97	55.2	-0.62	-1.27	±5	Feb. 09, 2012
835	Body	21.6	0.985	54.535	0.97	55.2	1.55	-1.20	±5	Feb. 24, 2012
1900	Head	21.5	1.45	38.3	1.4	40	3.57	-4.25	±5	Feb. 21, 2012
1900	Head	21.4	1.424	39.269	1.4	40	1.71	-1.83	±5	Feb. 22, 2012
1900	Body	21.2	1.52	53.1	1.52	53.3	0.00	-0.38	±5	Feb. 04, 2012
1900	Body	21.6	1.54	53.3	1.52	53.3	-0.20	-0.32	±5	Feb. 09, 2012
1900	Body	21.5	1.503	53.023	1.52	53.3	-1.12	-0.52	±5	Feb. 24, 2012
2450	Head	21.4	1.83	38.8	1.8	39.2	1.67	-1.02	±5	Feb. 13, 2012
2450	Head	21.3	1.825	38.673	1.8	39.2	1.39	-1.34	±5	Feb. 25, 2012
2450	Body	21.4	1.96	52.9	1.95	52.7	0.51	0.38	±5	Feb. 13, 2012
2450	Body	21.2	1.965	53.842	1.95	52.7	0.77	2.17	±5	Feb. 25, 2012

Table 6.2 Measuring Results for Simulating Liquid

7. Uncertainty Assessment

The component of uncertainty may generally be categorized according to the methods used to evaluate them. The evaluation of uncertainty by the statistical analysis of a series of observations is termed a Type A evaluation of uncertainty. The evaluation of uncertainty by means other than the statistical analysis of a series of observation is termed a Type B evaluation of uncertainty. Each component of uncertainty, however evaluated, is represented by an estimated standard deviation, termed standard uncertainty, which is determined by the positive square root of the estimated variance.

A Type A evaluation of standard uncertainty may be based on any valid statistical method for treating data. This includes calculating the standard deviation of the mean of a series of independent observations; using the method of least squares to fit a curve to the data in order to estimate the parameter of the curve and their standard deviations; or carrying out an analysis of variance in order to identify and quantify random effects in certain kinds of measurement.

A type B evaluation of standard uncertainty is typically based on scientific judgment using all of the relevant information available. These may include previous measurement data, experience and knowledge of the behavior and properties of relevant materials and instruments, manufacture’s specification, data provided in calibration reports and uncertainties assigned to reference data taken from handbooks. Broadly speaking, the uncertainty is either obtained from an outdoor source or obtained from an assumed distribution, such as the normal distribution, rectangular or triangular distributions indicated in Table 7.1

Uncertainty Distributions	Normal	Rectangular	Triangular	U-Shape
Multi-plying Factor ^(a)	1/k ^(b)	1/√3	1/√6	1/√2

- (a) standard uncertainty is determined as the product of the multiplying factor and the estimated range of variations in the measured quantity
- (b) κ is the coverage factor

Table 7.1 Standard Uncertainty for Assumed Distribution

The combined standard uncertainty of the measurement result represents the estimated standard deviation of the result. It is obtained by combining the individual standard uncertainties of both Type A and Type B evaluation using the usual “root-sum-squares” (RSS) methods of combining standard deviations by taking the positive square root of the estimated variances.

Expanded uncertainty is a measure of uncertainty that defines an interval about the measurement result within which the measured value is confidently believed to lie. It is obtained by multiplying the combined standard uncertainty by a coverage factor. Typically, the coverage factor ranges from 2 to 3. Using a coverage factor allows the true value of a measured quantity to be specified with a defined probability within the specified uncertainty range. For purpose of this document, a coverage factor two is used, which corresponds to confidence interval of about 95 %. The DASY uncertainty Budget is showed in Table 7.2.



Error Description	Uncertainty Value (±%)	Probability Distribution	Divisor	Ci (1g)	Standard Uncertainty (1g)
Measurement System					
Probe Calibration	6.0	Normal	1	1	± 6.0 %
Axial Isotropy	4.7	Rectangular	√3	0.7	± 1.9 %
Hemispherical Isotropy	9.6	Rectangular	√3	0.7	± 3.9 %
Boundary Effects	1.0	Rectangular	√3	1	± 0.6 %
Linearity	4.7	Rectangular	√3	1	± 2.7 %
System Detection Limits	1.0	Rectangular	√3	1	± 0.6 %
Readout Electronics	0.3	Normal	1	1	± 0.3 %
Response Time	0.8	Rectangular	√3	1	± 0.5 %
Integration Time	2.6	Rectangular	√3	1	± 1.5 %
RF Ambient Noise	3.0	Rectangular	√3	1	± 1.7 %
RF Ambient Reflections	3.0	Rectangular	√3	1	± 1.7 %
Probe Positioner	0.4	Rectangular	√3	1	± 0.2 %
Probe Positioning	2.9	Rectangular	√3	1	± 1.7 %
Max. SAR Eval.	1.0	Rectangular	√3	1	± 0.6 %
Test Sample Related					
Device Positioning	2.9	Normal	1	1	± 2.9 %
Device Holder	3.6	Normal	1	1	± 3.6 %
Power Drift	5.0	Rectangular	√3	1	± 2.9 %
Phantom and Setup					
Phantom Uncertainty	4.0	Rectangular	√3	1	± 2.3 %
Liquid Conductivity (Target)	5.0	Rectangular	√3	0.64	± 1.8 %
Liquid Conductivity (Meas.)	2.5	Normal	1	0.64	± 1.6 %
Liquid Permittivity (Target)	5.0	Rectangular	√3	0.6	± 1.7 %
Liquid Permittivity (Meas.)	2.5	Normal	1	0.6	± 1.5 %
Combined Standard Uncertainty					± 11.0 %
Coverage Factor for 95 %					K = 2
Expanded Uncertainty					± 22.0 %

Table 7.2 Uncertainty Budget of DASY for frequency range 300 MHz to 3 GHz

8. SAR Measurement Evaluation

Each DASY system is equipped with one or more system validation kits. These units, together with the predefined measurement procedures within the DASY software, enable the user to conduct the system performance check and system validation. System validation kit includes a dipole, tripod holder to fix it underneath the flat phantom and a corresponding distance holder.

8.1 Purpose of System Performance check

The system performance check verifies that the system operates within its specifications. System and operator errors can be detected and corrected. It is recommended that the system performance check be performed prior to any usage of the system in order to guarantee reproducible results. The system performance check uses normal SAR measurements in a simplified setup with a well characterized source. This setup was selected to give a high sensitivity to all parameters that might fail or vary over time. The system check does not intend to replace the calibration of the components, but indicates situations where the system uncertainty is exceeded due to drift or failure.

8.2 System Setup

In the simplified setup for system evaluation, the DUT is replaced by a calibrated dipole and the power source is replaced by a continuous wave that comes from a signal generator. The calibrated dipole must be placed beneath the flat phantom section of the SAM twin phantom with the correct distance holder. The distance holder should touch the phantom surface with a light pressure at the reference marking and be oriented parallel to the long side of the phantom. The equipment setup is shown below:

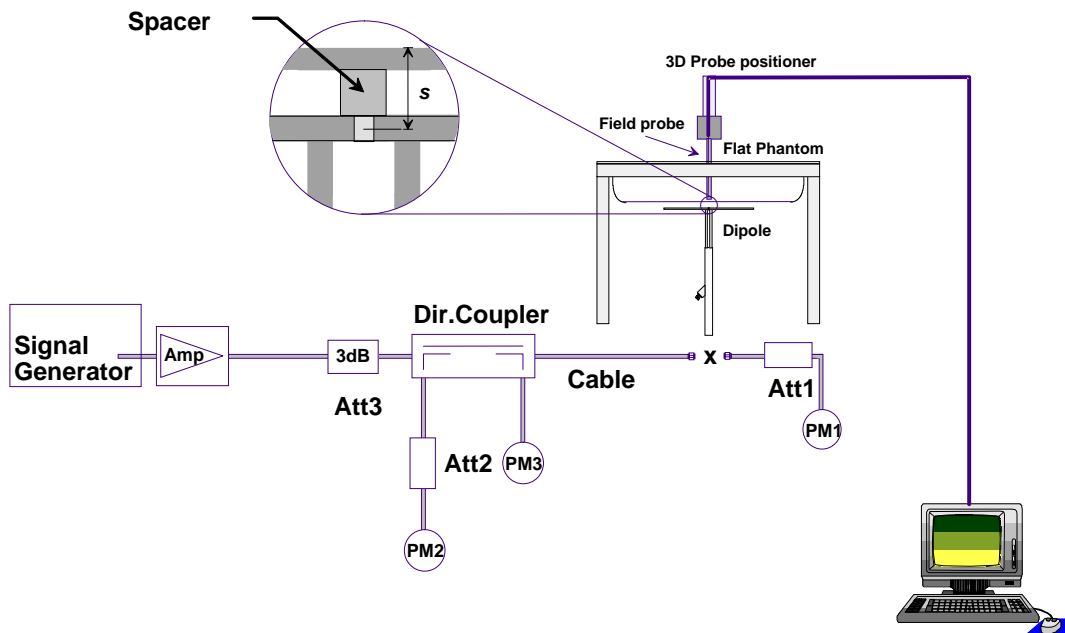


Fig 8.1 System Setup for System Evaluation

1. Signal Generator
2. Amplifier
3. Directional Coupler
4. Power Meter
5. Calibrated Dipole

The output power on dipole port must be calibrated to 24 dBm (250 mW) before dipole is connected.

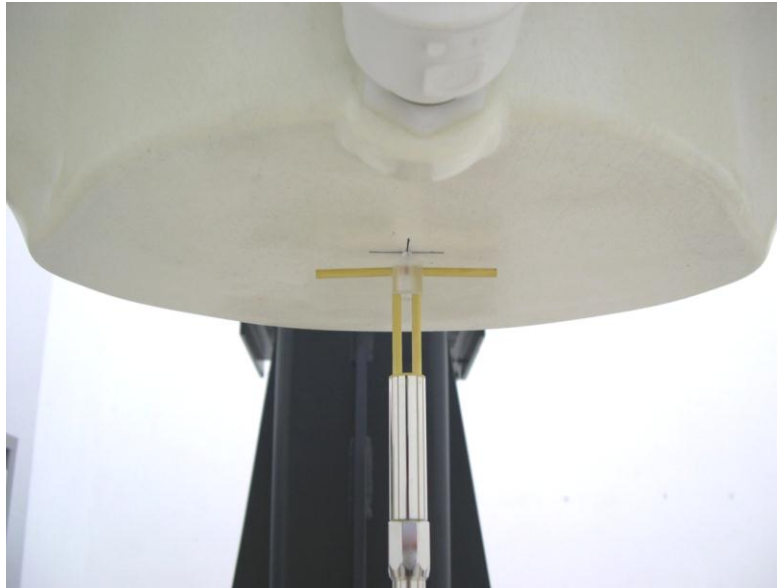


Fig 8.2 Photo of Dipole Setup

8.3 Validation Results

Comparing to the original SAR value provided by SPEAG, the validation data should be within its specification of 10 %. Table 8.1 shows the target SAR and measured SAR after normalized to 1W input power. The table below indicates the system performance check can meet the variation criterion and the plots can be referred to Appendix A of this report.

Measurement Date	Frequency (MHz)	Liquid Type	Targeted SAR _{1g} (W/kg)	Measured SAR _{1g} (W/kg)	Normalized SAR _{1g} (W/kg)	Deviation (%)
Feb. 05, 2012	835	Head	9.71	2.4	9.60	-1.13
Feb. 21, 2012	835	Head	9.71	2.44	9.76	0.51
Feb. 22, 2012	835	Head	9.71	2.45	9.80	0.93
Feb. 04, 2012	835	Body	9.82	2.41	9.64	-1.83
Feb. 09, 2012	835	Body	9.82	2.38	9.52	-3.05
Feb. 24, 2012	835	Body	9.82	2.37	9.48	-3.46
Feb. 21, 2012	1900	Head	39.8	9.83	39.32	-1.21
Feb. 22, 2012	1900	Head	39.8	9.7	38.80	-2.51
Feb. 04, 2012	1900	Body	40	9.72	38.88	-2.80
Feb. 09, 2012	1900	Body	40	9.34	42.00	5.00
Feb. 24, 2012	1900	Body	40	10	40.00	0.00
Feb. 13, 2012	2450	Head	54.8	12.8	51.20	-6.57
Feb. 25, 2012	2450	Head	54.8	14.3	57.20	4.38
Feb. 13, 2012	2450	Body	52.3	13.1	52.40	0.19
Feb. 25, 2012	2450	Body	52.3	13.2	52.80	0.96

Table 8.1 Target and Measurement SAR after Normalized

9. DUT Testing Position

This DUT was tested in nine different positions. They are right cheek, right tilted, left cheek, left tilted, Front of the DUT with phantom 1 cm gap, Back of the DUT with phantom 1 cm gap, Bottom Side of the DUT with phantom 1 cm gap, Right Side of the DUT with phantom 1 cm gap, and Left Side of the DUT with phantom 1 cm gap, as illustrated below:

9.1 Define two imaginary lines on the handset

- The vertical centerline passes through two points on the front side of the handset - the midpoint of the width w_t of the handset at the level of the acoustic output, and the midpoint of the width w_b of the bottom of the handset.
- The horizontal line is perpendicular to the vertical centerline and passes through the center of the acoustic output. The horizontal line is also tangential to the face of the handset at point A.
- The two lines intersect at point A. Note that for many handsets, point A coincides with the center of the acoustic output; however, the acoustic output may be located elsewhere on the horizontal line. Also note that the vertical centerline is not necessarily parallel to the front face of the handset, especially for clamshell handsets, handsets with flip covers, and other irregularly shaped handsets.

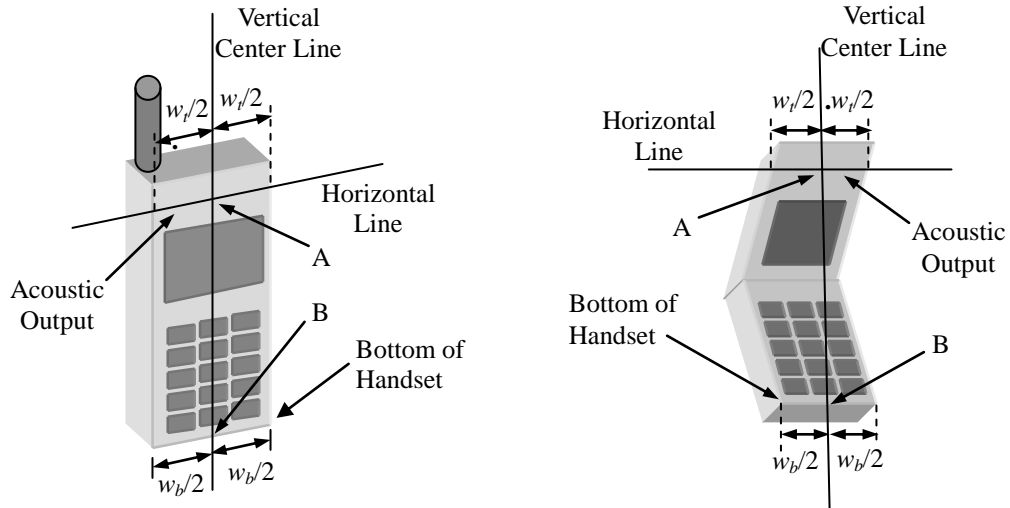


Fig 9.1 Illustration for Handset Vertical and Horizontal Reference Lines

9.2 Cheek Position

- (a) To position the device with the vertical center line of the body of the device and the horizontal line crossing the center piece in a plane parallel to the sagittal plane of the phantom. While maintaining the device in this plane, align the vertical center line with the reference plane containing the three ear and mouth reference point (M: Mouth, RE: Right Ear, and LE: Left Ear) and align the center of the ear piece with the line RE-LE.
- (b) To move the device towards the phantom with the ear piece aligned with the line LE-RE until the phone touched the ear. While maintaining the device in the reference plane and maintaining the phone contact with the ear, move the bottom of the phone until any point on the front side is in contact with the cheek of the phantom or until contact with the ear is lost (see Fig. 9.2).

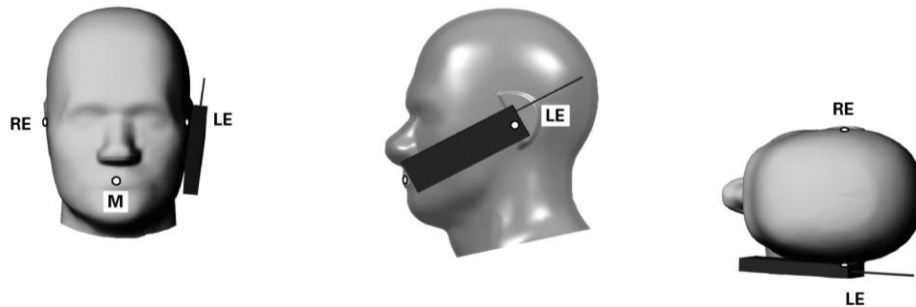


Fig 9.2 Illustration for Cheek Position

9.3 Tilted Position

- (a) To position the device in the “cheek” position described above.
- (b) While maintaining the device the reference plane described above and pivoting against the ear, moves it outward away from the mouth by an angle of 15 degrees or until contact with the ear is lost (see Fig. 9.3).

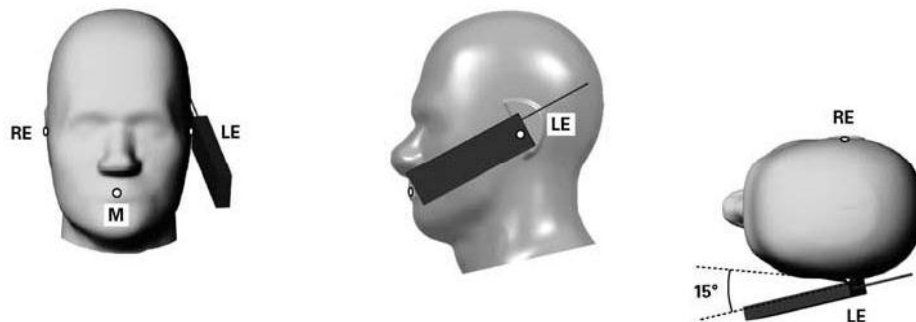


Fig 9.3 Illustration for Tilted Position

9.4 Body Worn Position

- (a) To position the device parallel to the phantom surface with either keypad up or down.
- (b) To adjust the device parallel to the flat phantom.
- (c) To adjust the distance between the device surface and the flat phantom to 1 cm.

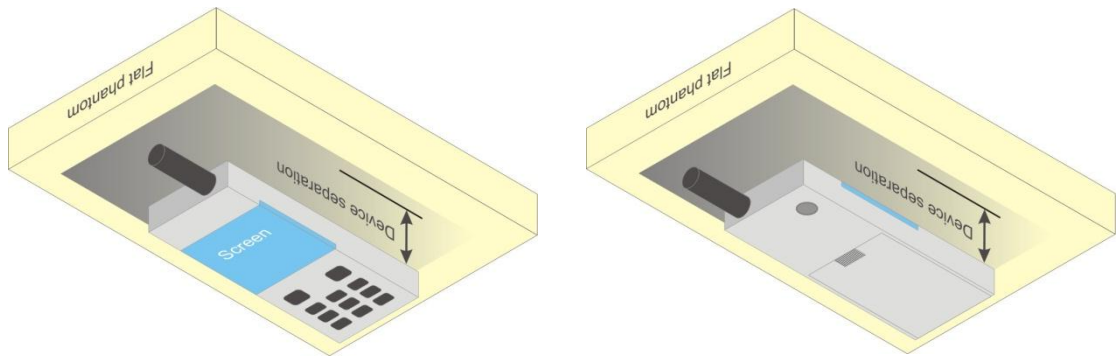


Fig 9.4 Illustration for Body Worn Position

<DUT Setup Photos>

Please refer to Appendix D for the test setup photos.



10. Measurement Procedures

The measurement procedures are as follows:

- (a) Use base station simulator (if applicable) or engineering software to transmit RF power continuously (continuous Tx) in the highest power channel.
- (b) Keep DUT to radiate maximum output power or 100% duty factor (if applicable)
- (c) Measure output power through RF cable and power meter.
- (d) Place the DUT in the positions as Appendix E demonstrates.
- (e) Set scan area, grid size and other setting on the DASY software.
- (f) Measure SAR results for the highest power channel on each testing position.
- (g) Find out the largest SAR result on these testing positions of each band
- (h) Measure SAR results for other channels in worst SAR testing position if the SAR of highest power channel is larger than 0.8 W/kg

According to the test standard, the recommended procedure for assessing the peak spatial-average SAR value consists of the following steps:

- (a) Power reference measurement
- (b) Area scan
- (c) Zoom scan
- (d) Power drift measurement

10.1 Spatial Peak SAR Evaluation

The procedure for spatial peak SAR evaluation has been implemented according to the test standard. It can be conducted for 1g and 10g, as well as for user-specific masses. The DASY software includes all numerical procedures necessary to evaluate the spatial peak SAR value.

The base for the evaluation is a "cube" measurement. The measured volume must include the 1g and 10g cubes with the highest averaged SAR values. For that purpose, the center of the measured volume is aligned to the interpolated peak SAR value of a previously performed area scan.

The entire evaluation of the spatial peak values is performed within the post-processing engine (SEMCAD). The system always gives the maximum values for the 1g and 10g cubes. The algorithm to find the cube with highest averaged SAR is divided into the following stages:

- (a) Extraction of the measured data (grid and values) from the Zoom Scan
- (b) Calculation of the SAR value at every measurement point based on all stored data (A/D values and measurement parameters)
- (c) Generation of a high-resolution mesh within the measured volume
- (d) Interpolation of all measured values from the measurement grid to the high-resolution grid
- (e) Extrapolation of the entire 3-D field distribution to the phantom surface over the distance from sensor to surface
- (f) Calculation of the averaged SAR within masses of 1g and 10g



10.2 Area & Zoom Scan Procedures

First Area Scan is used to locate the approximate location(s) of the local peak SAR value(s). The measurement grid within an Area Scan is defined by the grid extent, grid step size and grid offset. Next, in order to determine the EM field distribution in a three-dimensional spatial extension, Zoom Scan is required. The Zoom Scan measures 5x5x7 points with step size 8, 8 and 5 mm for 300 MHz to 3 GHz, and 8x8x8 points with step size 4, 4 and 2.5 mm for 3 GHz to 6 GHz. The Zoom Scan is performed around the highest E-field value to determine the averaged SAR-distribution over 10 g.

10.3 Volume Scan Procedures

The volume scan is used for assess overlapping SAR distributions for antennas transmitting in different frequency bands. It is equivalent to an oversized zoom scan used in standalone measurements. The measurement volume will be used to enclose all the simultaneous transmitting antennas. For antennas transmitting simultaneously in different frequency bands, the volume scan is measured separately in each frequency band. In order to sum correctly to compute the 1g aggregate SAR, the DUT remain in the same test position for all measurements and all volume scan use the same spatial resolution and grid spacing (step-size is 4, 4 and 2.5 mm). When all volume scan were completed, the software, SEMCAD postprocessor can combine and subsequently superpose these measurement data to calculating the multiband SAR.

10.4 SAR Averaged Methods

In DASy, the interpolation and extrapolation are both based on the modified Quadratic Shepard's method. The interpolation scheme combines a least-square fitted function method and a weighted average method which are the two basic types of computational interpolation and approximation.

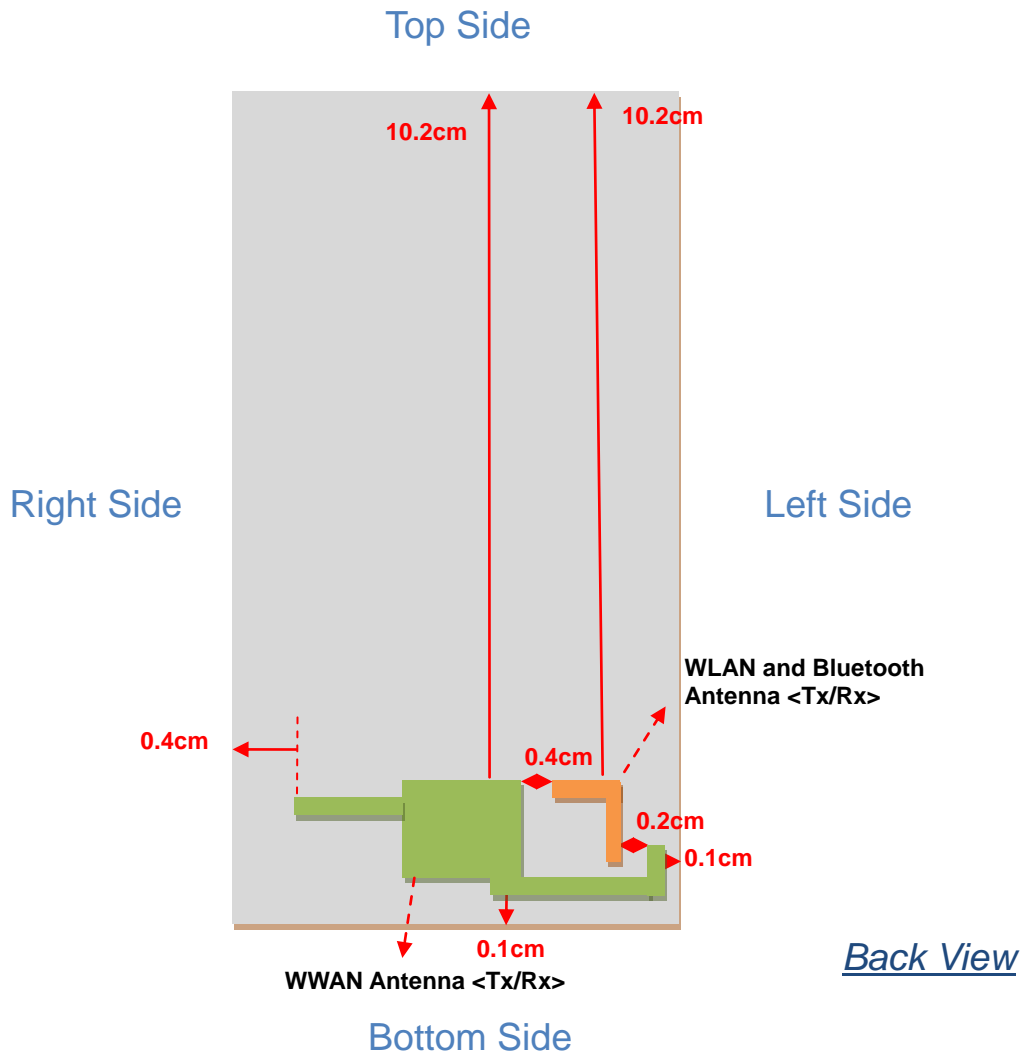
Extrapolation routines are used to obtain SAR values between the lowest measurement points and the inner phantom surface. The extrapolation distance is determined by the surface detection distance and the probe sensor offset. The uncertainty increases with the extrapolation distance. To keep the uncertainty within 1% for the 1 g and 10 g cubes, the extrapolation distance should not be larger than 5 mm.

10.5 Power Drift Monitoring

All SAR testing is under the DUT install full charged battery and transmit maximum output power. In DASy measurement software, the power reference measurement and power drift measurement procedures are used for monitoring the power drift of DUT during SAR test. Both these procedures measure the field at a specified reference position before and after the SAR testing. The software will calculate the field difference in dB. If the power drift more than 5%, the SAR will be retested.

11. SAR Test Configurations

11.1 Exposure Positions Consideration



WWAN Antenna	TX/RX
WLAN & BT Antenna	TX/RX

Antenna	Length	Width
WWAN Antenna (TX/RX)	5.4cm	1.9cm
WLAN&Bluetooth Antenna (TX/RX)	1.0cm	1.5cm



Sides for SAR tests; Hotspot mode						
Test distance: 10 mm						
Band	Back	Front	Top Side	Bottom Side	Right Side	Left Side
GSM 850	✓	✓	X	✓	✓	✓
GSM 1900	✓	✓	X	✓	✓	✓
UMTS Band V	✓	✓	X	✓	✓	✓
UMTS Band II	✓	✓	X	✓	✓	✓
WLAN 11b/g/n 2.4GHz	✓	✓	X	✓	X	✓

Note:

1. Referring to KDB 941225 D06, when the overall device length and width are $\geq 9\text{cm} \times 5\text{cm}$, the test distance is 10 mm. SAR must be measured for all sides and surfaces with a transmitting antenna located within 25mm from that surface or edge.
2. Per KDB 941225 D06, WLAN SAR at right side is not required since the distance between WLAN antenna and the right side edge over 2.5cm.

11.2 Simultaneous Transmitting Configurations

	Applicable Combination
Simultaneous Transmission	WWAN+WLAN
	WWAN+BT
	WLAN+BT

Note:

1. The GPRS/EDGE and WCDMA share the same WWAN transmitting antenna, and GPRS/EDGE will not transmit simultaneously with WCDMA.
2. Per KDB 648474 D01, Bluetooth output power $\leq P_{\text{Ref}}$ and the distance to WWAN and WLAN antennas $< 2.5\text{cm}$ SAR is less than 1.2 W/kg, therefore stand-alone SAR is not required.
3. When stand-alone 1-g SAR is not required for a transmitter or antenna, its SAR is considered zero in the 1-g SAR summing process to determine simultaneous transmission SAR evaluation requirements.



12. SAR Test Results

12.1 Conducted Power (Unit: dBm)

<GSM/GPRS/EDGE>

Burst Average Power						
Band	GSM850			GSM1900		
Channel	128	189	251	512	661	810
Frequency (MHz)	824.2	836.4	848.8	1850.2	1880.0	1909.8
GSM (1 Uplink)	33.18	33.19	33.38	29.63	29.64	29.60
GPRS 8 (1 Uplink) – CS1	33.10	33.12	33.32	29.42	29.61	29.32
GPRS 10 (2 Uplink) – CS1	32.29	32.37	32.41	27.86	28.52	28.19
GPRS 11 (3 Uplink) – CS1	30.67	30.70	30.71	26.13	26.35	26.62
GPRS 12 (4 Uplink) – CS1	30.41	30.57	30.54	25.86	26.19	26.37
EDGE 8 (GMSK, 1 Uplink) – MCS1	33.04	32.96	33.25	29.21	29.54	29.40
EDGE 10 (GMSK, 2 Uplink) – MCS1	32.30	32.25	32.34	28.34	28.54	28.78
EDGE 11 (GMSK, 3 Uplink) – MCS1	30.52	30.71	30.73	26.48	26.37	26.48
EDGE 12 (GMSK, 4 Uplink) – MCS1	30.21	30.56	30.51	25.83	26.13	26.30
EDGE 8 (8PSK, 1 Uplink) – MCS9	26.31	26.42	26.47	24.70	25.08	24.82
EDGE 10 (8PSK, 2 Uplink) – MCS9	25.19	25.24	25.18	23.28	23.85	23.45
EDGE 11 (8PSK, 3 Uplink) – MCS9	24.99	25.00	25.01	22.91	23.28	23.09
EDGE 12 (8PSK, 4 Uplink) – MCS9	24.85	24.91	24.90	21.28	21.75	21.42



Source-Based Time-Averaged Power						
Band	GSM850			GSM1900		
Channel	128	189	251	512	661	810
Frequency (MHz)	824.2	836.4	848.8	1850.2	1880.0	1909.8
GSM (1 Uplink)	24.18	24.19	24.38	20.63	20.64	20.60
GPRS 8 (1 Uplink) – CS1	24.10	24.12	24.32	20.42	20.61	20.32
GPRS 10 (2 Uplink) – CS1	26.29	26.37	26.41	21.86	22.52	22.19
GPRS 11 (3 Uplink) – CS1	26.41	26.44	26.45	21.87	22.09	22.36
GPRS 12 (4 Uplink) – CS1	27.41	27.57	27.54	22.86	23.19	23.37
EDGE 8 (GMSK, 1 Uplink) – MCS1	24.04	23.96	24.25	20.21	20.54	20.40
EDGE 10 (GMSK, 2 Uplink) – MCS1	26.30	26.25	26.34	22.34	22.54	22.78
EDGE 11 (GMSK, 3 Uplink) – MCS1	26.26	26.45	26.47	22.22	22.11	22.22
EDGE 12 (GMSK, 4 Uplink) – MCS1	27.21	27.56	27.51	22.83	23.13	23.30
EDGE 8 (8PSK, 1 Uplink) – MCS9	17.31	17.42	17.47	15.70	16.08	15.82
EDGE 10 (8PSK, 2 Uplink) – MCS9	19.19	19.24	19.18	17.28	17.85	17.45
EDGE 11 (8PSK, 3 Uplink) – MCS9	20.73	20.74	20.75	18.65	19.02	18.83
EDGE 12 (8PSK, 4 Uplink) – MCS9	21.85	21.91	21.90	18.28	18.75	18.42

Remark: The source-based time-averaged power is linearly scaled the maximum burst averaged power based on time slots. The calculated method are shown as below:
Source based time averaged power = Maximum burst averaged power (1 Uplink) - 9 dB
Source based time averaged power = Maximum burst averaged power (2 Uplink) - 6 dB
Source based time averaged power = Maximum burst averaged power (3 Uplink) - 4.26 dB
Source based time averaged power = Maximum burst averaged power (4 Uplink) - 3 dB

Note:

1. For Head SAR testing, GSM should be evaluated, therefore the DUT was set in GSM for GSM850 and set in GSM for GSM1900 due to its highest source-based time-average power.
2. For Body-worn SAR testing, GPRS and EDGE should be evaluated, therefore the DUT was set in GPRS 12 for GSM850 and set in GPRS 12 for GSM1900 due to its highest source-based time-average power.
3. Per KDB 447498, the maximum output power channel is used for SAR testing and for further SAR test reduction.
4. EDGE tests with MCS1 setting, GMSK modulation. Burst average power with MCS9 setting 8 PSK modulation, is provided voluntary for reference.
5. The DUT do not support DTM function.



<WCDMA/HSDPA/HSUPA>

Band	WCDMA Band V			WCDMA Band II		
Channel	4132	4182	4233	9262	9400	9538
Frequency (MHz)	826.4	836.4	846.6	1852.4	1880.0	1907.6
RMC 12.2K	22.18	22.98	22.94	22.92	23.09	22.64
HSDPA Subtest-1	21.21	22.01	21.92	22.53	22.53	22.26
HSDPA Subtest-2	21.15	21.99	21.90	22.48	22.55	22.13
HSDPA Subtest-3	20.74	21.51	21.65	21.48	21.62	21.35
HSDPA Subtest-4	20.69	21.47	21.40	21.46	21.49	21.17
HSUPA Subtest-1	20.71	21.58	21.53	21.73	22.11	21.63
HSUPA Subtest-2	19.93	20.84	20.77	20.76	20.89	20.51
HSUPA Subtest-3	20.33	21.24	21.25	20.89	21.03	20.71
HSUPA Subtest-4	19.77	20.69	20.57	20.85	21.02	20.74
HSUPA Subtest-5	20.55	21.30	21.42	21.68	21.75	21.51

MPR							
3GPP Requirement		WCDMA band V			WCDMA band II		
0	HSDPA Subtest-1	0.00	0.00	0.00	0.00	0.00	0.00
0	HSDPA Subtest-2	0.06	0.02	0.02	0.05	-0.02	0.13
0.5	HSDPA Subtest-3	0.47	0.50	0.27	1.05	0.91	0.91
0.5	HSDPA Subtest-4	0.52	0.54	0.52	1.07	1.04	1.09
0	HSUPA Subtest-1	-0.16	-0.28	-0.11	-0.05	-0.36	-0.12
2	HSUPA Subtest-2	0.62	0.46	0.65	0.92	0.86	1.00
1	HSUPA Subtest-3	0.22	0.06	0.17	0.79	0.72	0.80
2	HSUPA Subtest-4	0.78	0.61	0.85	0.83	0.73	0.77
0	HSUPA Subtest-5	0.00	0.00	0.00	0.00	0.00	0.00

Note:

1. For Head SAR, per KDB 941225 D01, RMC 12.2kbps setting is used to evaluate SAR. If AMR 12.2kbps power is < 1/4 dB higher than RMC, SAR tests with AMR 12.2kbps can be excluded.
2. For Body-worn SAR, per KDB 941225 D01, RMC 12.2kbps setting is used to evaluate SAR. If HSDPA subset-1 and HSUPA subset-5 output power is < 1/4 dB higher than RMC HSDPA and HSUPA SAR evaluation can be excluded.
3. DUT is declared to follow the MPR of 3GPP Table 5.2B.1 specification, and the specification will set during the production. Since there is tolerance in measuring 3G output power, the difference between the measured value and the specification is treated as tolerance. According to KDB 941225 D02 v02, 1)b), the MPR implementation information is provided here.



<WLAN>

Band	802.11b			802.11g		
Channel	1	6	11	1	6	11
Frequency (MHz)	2412	2437	2462	2412	2437	2462
Average Power	16.33	16.46	16.59	11.73	11.96	12.36

Band	802.11n (BW 20MHz)		
Channel	1	6	11
Frequency (MHz)	2412	2437	2462
Average Power	11.64	11.96	12.22

Note:

1. Per KDB 248227, choose the highest output power channel to test SAR and determine further SAR exclusion
2. For each frequency band, testing at higher data rates and higher order modulations is not required when the maximum average output power for each of these configuration is less than 1/4 dB higher than those measured at the lowest data rate
3. Per KDB 248227, 11g and 11n output power is less than 1/4 dB higher than 11b mode, thus the SAR can be excluded.

Band	Bluetooth		
Channel	0	39	78
Frequency	2402	2441	2480
Average Power	-1.15	-1.05	-1.33



12.2 Test Records for Head SAR Test

<GSM>

Plot No.	Band	Mode	Test Position	Ch.	Sample	Battery	SAR _{1g} (W/kg)	SAR _{10g} (W/kg)
45	GSM850	GSM	Right Cheek	128	1	1	0.288	0.218
46	GSM850	GSM	Right Tilted	128	1	1	0.205	0.16
47	GSM850	GSM	Left Cheek	128	1	1	0.35	0.262
48	GSM850	GSM	Left Tilted	128	1	1	0.21	0.163
63	GSM850	GSM	Left Cheek	128	2	2	0.391	0.286
49	GSM1900	GSM	Right Cheek	661	1	1	0.095	0.057
50	GSM1900	GSM	Right Tilted	661	1	1	0.038	0.022
51	GSM1900	GSM	Left Cheek	661	1	1	0.117	0.071
52	GSM1900	GSM	Left Tilted	661	1	1	0.032	0.017
65	GSM1900	GSM	Left Cheek	661	2	2	0.165	0.1

Note: Per KDB 648474, if the highest output channel SAR for each exposure position ≤ 0.8 W/kg other channels SAR tests are not necessary.

<WCDMA>

Plot No.	Band	Mode	Test Position	Ch.	Sample	Battery	SAR _{1g} (W/kg)	SAR _{10g} (W/kg)
19	WCDMA V	RMC12.2K	Right Cheek	4182	1	1	0.278	0.21
20	WCDMA V	RMC12.2K	Right Tilted	4182	1	1	0.211	0.163
21	WCDMA V	RMC12.2K	Left Cheek	4182	1	1	0.398	0.3
22	WCDMA V	RMC12.2K	Left Tilted	4182	1	1	0.247	0.19
64	WCDMA V	RMC12.2K	Left Cheek	4182	2	2	0.413	0.303
23	WCDMA II	RMC12.2K	Right Cheek	9400	1	1	0.288	0.18
24	WCDMA II	RMC12.2K	Right Tilted	9400	1	1	0.11	0.067
25	WCDMA II	RMC12.2K	Left Cheek	9400	1	1	0.348	0.212
26	WCDMA II	RMC12.2K	Left Tilted	9400	1	1	0.099	0.056
82	WCDMA II	RMC12.2K	Left Cheek	9400	2	2	0.277	0.168

Note: Per KDB 648474, if the highest output channel SAR for each exposure position ≤ 0.8 W/kg other channels SAR tests are not necessary.



<WLAN>

Plot No.	Band	Mode	Test Position	Ch.	Sample	Battery	SAR _{1g} (W/kg)	SAR _{10g} (W/kg)
53	802.11b	-	Right Cheek	11	1	1	0.09	0.046
54	802.11b	-	Right Tilted	11	1	1	0.035	0.018
55	802.11b	-	Left Cheek	11	1	1	0.039	0.019
56	802.11b	-	Left Tilted	11	1	1	0.037	0.018
88	802.11b	-	Right Cheek	11	2	2	0.077	0.039
89	802.11b	-	Left Cheek	11	2	2	0.047	0.026

Note: Per KDB 648474, if the highest output channel SAR for each exposure position ≤ 0.8 W/kg other channels SAR tests are not necessary.

12.3 Test Records for Hotspot SAR Test

<GSM>

Plot No.	Band	Mode	Test Position	Gap (cm)	Ch.	Sample	Battery	SAR _{1g} (W/kg)	SAR _{10g} (W/kg)
27	GSM850	GPRS12	Front	1	189	1	1	0.751	0.572
28	GSM850	GPRS12	Back	1	189	1	1	1.13	0.739
29	GSM850	GPRS12	Left Side	1	189	1	1	0.873	0.595
30	GSM850	GPRS12	Right Side	1	189	1	1	0.524	0.358
31	GSM850	GPRS12	Bottom Side	1	189	1	1	0.298	0.15
32	GSM850	GPRS12	Back	1	128	1	1	1.24	0.805
33	GSM850	GPRS12	Back	1	251	1	1	1.21	0.778
34	GSM850	GPRS12	Left Side	1	128	1	1	0.784	0.544
35	GSM850	GPRS12	Left Side	1	251	1	1	1.06	0.726
72	GSM850	GPRS12	Back	1	128	2	2	1.17	0.728
73	GSM850	GPRS12	Back	1	189	2	2	1.02	0.621
74	GSM850	GPRS12	Back	1	251	2	2	1.01	0.604
39	GSM1900	GPRS12	Front	1	810	1	1	0.416	0.257
40	GSM1900	GPRS12	Back	1	810	1	1	0.795	0.483
41	GSM1900	GPRS12	Left Side	1	810	1	1	0.096	0.058
42	GSM1900	GPRS12	Right Side	1	810	1	1	0.211	0.107
43	GSM1900	GPRS12	Bottom Side	1	810	1	1	0.53	0.315
78	GSM1900	GPRS12	Back	1	810	2	2	0.922	0.519
79	GSM1900	GPRS12	Back	1	512	2	2	1.22	0.708
80	GSM1900	GPRS12	Back	1	661	2	2	1.06	0.613

Note:

1. Per KDB 941225 D06, for DUT dimension ≥ 9cm*5cm, the test distance is 1cm. SAR must be measured for all surfaces and sides with a transmitting antenna located within 2.5cm from that surface or edge.
2. As in (1), SAR for Front/Back/Bottom Side/Left Side/Right Side is necessary.
3. Per KDB 648474 if the highest output channel SAR for each exposure position ≤ 0.8 W/kg other channels SAR tests are not necessary.
4. If GPRS class 12 measured SAR is > 0.8W/kg, EDGE class 12 (MCS1) SAR is measured following KDB 941225 D03 and IEEE std-1528 footnote 11.

<WCDMA>

Plot No.	Band	Mode	Test Position	Gap (cm)	Ch.	Sample	Battery	SAR _{1g} (W/kg)	SAR _{10g} (W/kg)
1	WCDMA V	RMC12.2K	Front	1	4182	1	1	0.372	0.28
2	WCDMA V	RMC12.2K	Back	1	4182	1	1	0.681	0.454
3	WCDMA V	RMC12.2K	Left Side	1	4182	1	1	0.513	0.349
4	WCDMA V	RMC12.2K	Right Side	1	4182	1	1	0.331	0.226
5	WCDMA V	RMC12.2K	Bottom Side	1	4182	1	1	0.162	0.086
84	WCDMA V	RMC12.2K	Back	1	4182	2	2	0.678	0.404
7	WCDMA II	RMC12.2K	Front	1	9400	1	1	0.436	0.27
8	WCDMA II	RMC12.2K	Back	1	9400	1	1	1.14	0.672
9	WCDMA II	RMC12.2K	Left Side	1	9400	1	1	0.138	0.089
10	WCDMA II	RMC12.2K	Right Side	1	9400	1	1	0.347	0.183
11	WCDMA II	RMC12.2K	Bottom Side	1	9400	1	1	0.84	0.482
12	WCDMA II	RMC12.2K	Back	1	9262	1	1	1.06	0.621
13	WCDMA II	RMC12.2K	Back	1	9538	1	1	0.939	0.556
17	WCDMA II	RMC12.2K	Bottom Side	1	9262	1	1	0.884	0.51
18	WCDMA II	RMC12.2K	Bottom Side	1	9538	1	1	0.583	0.338
66	WCDMA II	RMC12.2K	Back	1	9400	2	2	1.19	0.686
67	WCDMA II	RMC12.2K	Back	1	9262	2	2	1.36	0.782
68	WCDMA II	RMC12.2K	Back	1	9538	2	2	0.9	0.521

Note:

1. Per KDB 941225 D06, for DUT dimension ≥ 9cm*5cm, the test distance is 1cm. SAR must be measured for all surfaces and sides with a transmitting antenna located within 2.5cm from that surface or edge.
2. As in (1), SAR for Front/Back/Bottom Side/Left Side/Right Side is necessary.
3. Per KDB 648474, if the highest output channel SAR for each exposure position ≤ 0.8 W/kg other channels SAR tests are not necessary.

<WLAN>

Plot No.	Band	Mode	Test Position	Gap (cm)	Ch.	Sample	Battery	SAR _{1g} (W/kg)	SAR _{10g} (W/kg)
57	802.11b	-	Front	1	11	1	1	0.266	0.129
58	802.11b	-	Back	1	11	1	1	0.304	0.141
59	802.11b	-	Left Side	1	11	1	1	0.148	0.081
61	802.11b	-	Bottom Side	1	11	1	1	0.402	0.183
86	802.11b	-	Back	1	11	2	2	0.204	0.099

Note:

1. Per KDB 941225 D06, for DUT dimension ≥ 9cm*5cm, the test distance is 1cm. SAR must be measured for all surfaces and sides with a transmitting antenna located within 2.5cm from that surface or edge.
2. As in (1), SAR for Front/Back/Bottom Side/Left Side is necessary.
3. Per KDB 648474, if the highest output channel SAR for each exposure position ≤ 0.8 W/kg other channels SAR tests are not necessary.



12.4 Test Records for Body-worn SAR Test

<GSM>

Plot No.	Band	Mode	Test Position	Gap (cm)	Ch.	Sample	Battery	Ear-phone	SAR _{1g} (W/kg)	SAR _{10g} (W/kg)
27	GSM850	GPRS12	Front	1	189	1	1	-	0.751	0.572
28	GSM850	GPRS12	Back	1	189	1	1	-	1.13	0.739
32	GSM850	GPRS12	Back	1	128	1	1	-	1.24	0.805
33	GSM850	GPRS12	Back	1	251	1	1	-	1.21	0.778
72	GSM850	GPRS12	Back	1	128	2	2	-	1.17	0.782
73	GSM850	GPRS12	Back	1	189	2	2	-	1.02	0.621
74	GSM850	GPRS12	Back	1	251	2	2	-	1.01	0.604
36	GSM850	GPRS12	Back	1	128	1	1	1	1.24	0.761
37	GSM850	GPRS12	Back	1	189	1	1	1	1.11	0.677
38	GSM850	GPRS12	Back	1	251	1	1	1	1.18	0.699
75	GSM850	GPRS12	Back	1	128	2	2	2	1.09	0.649
76	GSM850	GPRS12	Back	1	189	2	2	2	1.02	0.599
77	GSM850	GPRS12	Back	1	251	2	2	2	0.907	0.535
39	GSM1900	GPRS12	Front	1	810	1	1	-	0.416	0.257
40	GSM1900	GPRS12	Back	1	810	1	1	-	0.795	0.483
78	GSM1900	GPRS12	Back	1	810	2	2	-	0.922	0.519
79	GSM1900	GPRS12	Back	1	512	2	2	-	1.22	0.708
80	GSM1900	GPRS12	Back	1	661	2	2	-	1.06	0.613
44	GSM1900	GPRS12	Back	1	810	1	1	1	0.682	0.419
81	GSM1900	GPRS12	Back	1	512	2	2	2	1.04	0.599
82	GSM1900	GPRS12	Back	1	661	2	2	2	0.952	0.553
83	GSM1900	GPRS12	Back	1	810	2	2	2	0.703	0.405

Note:

1. Per KDB 648474, if the highest output channel SAR for each exposure position ≤ 0.8 W/kg other channels SAR tests are not necessary.
2. If GPRS class 12 measured SAR is > 0.8 W/kg, EDGE class 12 (MCS1) SAR is measured following KDB 941225 D03 and IEEE std-1528 footnote 11.



<WCDMA>

Plot No.	Band	Mode	Test Position	Gap (cm)	Ch.	Sample	Battery	Ear-phone	SAR _{1g} (W/kg)	SAR _{10g} (W/kg)
1	WCDMA V	RMC12.2K	Front	1	4182	1	1	-	0.372	0.28
2	WCDMA V	RMC12.2K	Back	1	4182	1	1	-	0.74	0.454
84	WCDMA V	RMC12.2K	Back	1	4182	2	2	-	0.678	0.404
6	WCDMA V	RMC12.2K	Back	1	4182	1	1	1	0.681	0.442
85	WCDMA V	RMC12.2K	Back	1	4182	2	2	2	0.676	0.391
7	WCDMA II	RMC12.2K	Front	1	9400	1	1	-	0.436	0.27
8	WCDMA II	RMC12.2K	Back	1	9400	1	1	-	1.14	0.672
12	WCDMA II	RMC12.2K	Back	1	9262	1	1	-	1.06	0.621
13	WCDMA II	RMC12.2K	Back	1	9538	1	1	-	0.939	0.556
66	WCDMA II	RMC12.2K	Back	1	9400	2	2	-	1.19	0.686
67	WCDMA II	RMC12.2K	Back	1	9262	2	2	-	1.36	0.782
68	WCDMA II	RMC12.2K	Back	1	9538	2	2	-	0.9	0.521
14	WCDMA II	RMC12.2K	Back	1	9400	1	1	1	0.977	0.581
15	WCDMA II	RMC12.2K	Back	1	9262	1	1	1	0.957	0.558
16	WCDMA II	RMC12.2K	Back	1	9538	1	1	1	0.783	0.459
69	WCDMA II	RMC12.2K	Back	1	9400	2	2	2	0.98	0.576
70	WCDMA II	RMC12.2K	Back	1	9262	2	2	2	1.23	0.71
71	WCDMA II	RMC12.2K	Back	1	9538	2	2	2	0.807	0.472

Note: Per KDB 648474, if the highest output channel SAR for each exposure position ≤ 0.8 W/kg other channels SAR tests are not necessary.

<WLAN>

Plot No.	Band	Mode	Test Position	Gap (cm)	Ch.	Sample	Battery	Ear-phone	SAR _{1g} (W/kg)	SAR _{10g} (W/kg)
57	802.11b	-	Front	1	11	1	1	-	0.266	0.129
58	802.11b	-	Back	1	11	1	1	-	0.304	0.141
86	802.11b	-	Back	1	11	2	2	-	0.204	0.099
62	802.11b	-	Back	1	11	1	1	1	0.335	0.152
87	802.11b	-	Back	1	11	2	2	2	0.2	0.096

Note: Per KDB 648474, if the highest output channel SAR for each exposure position ≤ 0.8 W/kg other channels SAR tests are not necessary.

12.5 Simultaneous Multi-band Transmission

<Maximum SAR list for each band and position>

<Sample 1>

<Simultaneous Transmission – Head SAR>

	GSM 850	GSM 1900	WCDMA Band V	WCDMA Band II	802.11b/g/n	Max. SAR Summation	Result
Right Cheek	0.288	0.095	0.278	0.288	0.09	0.378	Pass
Right Tilted	0.205	0.038	0.211	0.11	0.035	0.246	Pass
Left Cheek	0.35	0.117	0.398	0.348	0.039	0.437	Pass
Left Tilted	0.21	0.032	0.247	0.099	0.037	0.284	Pass

<Simultaneous Transmission – Hotspot SAR>

	GSM 850	GSM 1900	WCDMA Band V	WCDMA Band II	802.11b/g/n	Max. SAR Summation	Result
Front	0.751	0.416	0.372	0.436	0.266	1.017	Pass
Back	1.24	0.795	0.681	1.14	0.304	1.544	Pass
Left Side	1.06	0.096	0.513	0.138	0.148	1.208	Pass
Right Side	0.524	0.211	0.331	0.347	N/A	0.524	Pass
Bottom Side	0.298	0.53	0.162	0.884	0.402	1.286	Pass

<Simultaneous Transmission – Body-worn SAR>

	GSM 850	GSM 1900	WCDMA Band V	WCDMA Band II	802.11b/g/n	Max. SAR Summation	Result
Front	0.751	0.416	0.372	0.436	0.266	1.017	Pass
Back	1.24	0.795	0.681	1.14	0.304	1.544	Pass

<Sample 2>

<Simultaneous Transmission – Head SAR>

	GSM 850	GSM 1900	WCDMA Band V	WCDMA Band II	802.11b/g/n	Max. SAR Summation	Result
Left Cheek	0.391	0.165	0.413	0.277	0.047	0.460	Pass

<Simultaneous Transmission – Hotspot SAR>

	GSM 850	GSM 1900	WCDMA Band V	WCDMA Band II	802.11b/g/n	Max. SAR Summation	Result
Back	1.17	1.22	0.676	1.36	0.204	1.564	Pass

<Simultaneous Transmission – Body-worn SAR>

	GSM 850	GSM 1900	WCDMA Band V	WCDMA Band II	802.11b/g/n	Max. SAR Summation	Result
Back	1.17	1.22	0.678	1.36	0.204	1.564	Pass

Note:

- 1 The maximum SAR summation is calculated based on the same configuration and test position.
- 2 For 1g-SAR scalar summation < 1.6W/kg, simultaneous SAR measurement is not necessary.
- 3 If SPLSR < 0.3, volume scan is not necessary; referring to KDB 648474.

Test Engineer : Aaron Chen, Nick Tour, Jason Wang, Angelo Chang, Niels Ouyang, Ted Sun, Ken Li, Vic Yang and Jack Wu



13. References

- [1] FCC 47 CFR Part 2 “Frequency Allocations and Radio Treaty Matters; General Rules and Regulations”
- [2] IEEE Std. C95.1-1991, “IEEE Standard for Safety Levels with Respect to Human Exposure to Radio Frequency Electromagnetic Fields, 3 kHz to 300 GHz”, 1991
- [3] IEEE Std. 1528-2003, “Recommended Practice for Determining the Peak Spatial-Average Specific Absorption Rate (SAR) in the Human Head from Wireless Communications Devices: Measurement Techniques”, December 2003
- [4] FCC OET Bulletin 65 (Edition 97-01) Supplement C (Edition 01-01), “Evaluating Compliance with FCC Guidelines for Human Exposure to Radiofrequency Electromagnetic Fields”, June 2001
- [5] SPEAG DASY System Handbook
- [6] FCC KDB 248227 D01 v01r02, “SAR Measurement Procedures for 802.11 a/b/g Transmitters”, May 2007
- [7] FCC KDB 447498 D01 v04, “Mobile and Portable Device RF Exposure Procedures and Equipment Authorization Policies”, November 2009
- [8] FCC KDB 648474 D01 v01r05, “SAR Evaluation Considerations for Handsets with Multiple Transmitters and Antennas”, September 2008
- [9] FCC KDB 941225 D01 v02, “SAR Measurement Procedures for 3G Devices – CDMA 2000 / Ev-Do / WCDMA / HSDPA / HSPA”, October 2007
- [10] FCC KDB 941225 D02 v02 "3GPP R6 HSPA and R7 HSPA+ SAR Guidance", December 2009.
- [11] FCC KDB 941225 D03 v01, “Recommended SAR Test Reduction Procedures for GSM / GPRS / EDGE”, December 2008
- [12] FCC KDB 941225 D04 v01, “Evaluating SAR for GSM/(E)GPRS Dual Transfer Mode”, January 27 2010
- [13] FCC KDB 941225 D06 v01, "SAR Evaluation Procedures for Portable Devices with Wireless Router Capabilities", April 2011
- [14] FCC KDB 388624 D02, "Permit But Ask List", April 2011.



Appendix A. Plots of System Performance Check

The plots are shown as follows.



Appendix B. Plots of SAR Measurement

The plots are shown as follows.



Appendix C. DAS Y Calibration Certificate

The DAS Y calibration certificates are shown as follows.