

FCC 47 CFR PART 15 SUBPART C

Product Type : Smartphone
Applicant : HTC Corporation
Address : No. 23, Xinghua Rd., Taoyuan City, Taoyuan County 330,
Taiwan
Trade Name : HTC
Model Number : PH85110
Test Specification : FCC 47 CFR PART 15 SUBPART C: Oct., 2010
ANSI C63.4-2009
Issue Date : Aug. 01, 2011

Issue by

A Test Lab Techno Corp.
No. 140-1, Changan Street, Bade City,
Taoyuan County 334, Taiwan R.O.C.
Tel : +886-3-2710188 / Fax : +886-3-2710190



Taiwan Accreditation Foundation accreditation number: 1330

Note: This report shall not be reproduced except in full, without the written approval of A Test Lab Techno Corp. This document may be altered or revised by A Test Lab Techno Corp. personnel only, and shall be noted in the revision section of the document. The client should not use it to claim product endorsement by TAF, or any government agencies. The test results in the report only apply to the tested sample.

Revision History

Rev.	Issue Date	Revisions	Revised By
00	Aug. 01, 2011	Initial Issue	

Verification of Compliance

Issued Date: 08/01/2011

Product Type : Smartphone
Applicant : HTC Corporation
Address : No. 23, Xinghua Rd., Taoyuan City, Taoyuan County 330,
Taiwan
Trade Name : HTC
Model Number : PH85110
FCC ID : NM8PH85110
EUT Rated Voltage : DC 5.0V, 1.0A
Test Voltage : 120 Vac / 60 Hz
Applicable Standard : FCC 47 CFR PART 15 SUBPART C: Oct., 2010
ANSI C63.4-2009
Test Result : Complied
Performing Lab. : A Test Lab Techno Corp.

No. 140-1, Changan Street, Bade City,
Taoyuan County 334, Taiwan R.O.C.


Tel : +886-3-2710188 / Fax : +886-3-2710190

Taiwan Accreditation Foundation accreditation number:
1330



<http://www.atl-lab.com.tw/e-index.htm>

The above equipment was tested by A Test Lab Techno Corp. The test data, data evaluation, test procedures, and equipment configurations shown in this report were made in accordance with the procedures given in ANSI C63.4: 2009 and the energy emitted by the sample tested as described in this report is in compliance with the requirements of FCC Rules Part 15.207, 15.209, 15.247 .
The test results of this report relate only to the tested sample identified in this report.

Approved By : 
(Manager) (Miller Lee)

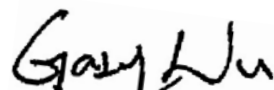
Reviewed By : 
(Testing Engineer) (Gary Wu)

TABLE OF CONTENTS

1	General Information	6
2	EUT Description	7
3	Test Methodology.....	8
	3.1. Mode of Operation	8
	3.2. EUT Exercise Software.....	9
	3.3. Configuration of Test System Details.....	9
	3.4. Test Site Environment.....	9
4	Conducted Emission Measurement	10
	4.1. Limit	10
	4.2. Test Instruments	10
	4.3. Test Setup.....	10
	4.4. Test Procedure.....	11
	4.5. Test Result.....	12
5	Radiated Interference Measurement	16
	5.1. Limit	16
	5.2. Test Instruments	16
	5.3. Setup	17
	5.4. Test Procedure.....	18
	5.5. Test Result.....	20
6	Maximum Conducted Output Power Measurement.....	29
	6.1. Limit	29
	6.2. Test Setup.....	29
	6.3. Test Instruments	29
	6.4. Test Procedure.....	29
	6.5. Test Result.....	30
7	Minimum 20dB RF Bandwidth Measurement	32
	7.1. Limit	32
	7.2. Test Setup.....	32
	7.3. Test Instruments	32
	7.4. Test Procedure.....	32
	7.5. Test Result.....	33
	7.6. Test Graphs	34
8	Carrier Frequency Separation Measurement	36
	8.1. Limit	36
	8.2. Test Setup.....	36
	8.3. Test Instruments	36
	8.4. Test Procedure.....	37
	8.5. Test Result.....	38
	8.6. Test Graphs	39

9	Number of Hopping Measurement	40
9.1.	Limit	40
9.2.	Test Setup.....	40
9.3.	Test Instruments	40
9.4.	Test Procedure.....	40
9.5.	Test Result.....	41
9.6.	Test Graphs	42
10	Time of Occupancy (Dwell Time) Measurement.....	44
10.1.	Limit	44
10.2.	Test Setup.....	44
10.3.	Test Instruments	44
10.4.	Test Procedure.....	44
10.5.	Test Result.....	45
10.6.	Test Graphs	47
11	Out of Band Conducted Emissions Measurement	49
11.1.	Limit	49
11.2.	Test Setup.....	49
11.3.	Test Instruments	49
11.4.	Test Procedure.....	49
11.5.	Test Graphs	50
12	Band Edges Measurement	52
12.1.	Limit	52
12.2.	Test Setup.....	52
12.3.	Test Instruments	52
12.4.	Test Procedure.....	53
12.5.	Test Result.....	54
13	99 % Occupied Bandwidth Measurement	64
13.1.	Limit	64
13.2.	Test Setup.....	64
13.3.	Test Instruments	64
13.4.	Test Procedure.....	64
13.5.	Test Result.....	65
13.6.	Test Graphs	66
14	Antenna Measurement.....	68
14.1.	Limit	68
14.2.	Antenna Connector Construction	68

1 General Information

1.1 Summary of Test Result

Standard		Item	Result	Remark
15.247	RSS-GEN			
15.207	7.2.2	AC Power Conducted Emission	PASS	----
----	6	Receiver Radiated Emissions	PASS	----
Standard		Item	Result	Remark
15.247	RSS-210			
15.247(c)	A8.5	Transmitter Radiated Emissions	PASS	----
15.247(b)(1)	A8.4 (2)	Max. Output Power	PASS	----
15.247(a)(1)	A8.1 (1)	20dB RF Bandwidth	PASS	----
15.247(a)(1)(iii)	A8.1 (2)	Carrier Frequency Separation	PASS	----
15.247(a)(1)(iii)	A8.1 (4)	Number of Hopping	PASS	----
15.247(a)(1)(iii)	A8.1 (4)	Time of Occupancy (Dwell Time)	PASS	----
15.247(c)	A8.5	Out of Band Conducted Spurious Emission	PASS	----
15.247(c)	A8.5	Band Edge Measurement	PASS	----
15.203	-	Antenna Requirement	PASS	----

The test results of this report relate only to the tested sample(s) identified in this report. Manufacturer or whom it may concern should recognize the pass or fail of the test result.

1.2 Measurement Uncertainty

Conducted Emission

The measurement uncertainty is evaluated as ± 2.24 dB.

Radiated Emission

The measurement uncertainty of 30 MHz - 1GHz is evaluated as ± 3.072 dB.

2 EUT Description

Product	:	Smartphone		
Trade Name	:	HTC		
Model Number	:	PH85110		
Applicant	:	HTC Corporation No. 23, Xinghua Rd., Taoyuan City, Taoyuan County 330, Taiwan		
Manufacturer	:	HTC Corporation No. 23, Xinghua Rd., Taoyuan City, Taoyuan County 330, Taiwan		
FCC ID	:	NM8PH85110		
Frequency Range	:	2402 ~ 2480 MHz		
Modulation Type	:	GFSK for 1Mbps		
		$\pi/4$ -DQPSK for 2Mbps		
		8DPSK for 3Mbps		
Antenna Type	:	PIFA Antenna		
Antenna Gain	:	0.8 dBi		
RF Output Power (Conducted)	:	GFSK for 1Mbps	-0.04 dBm /	0.00099 W
		$\pi/4$ -DQPSK for 2Mbps	1.64 dBm /	0.00146 W
		8DPSK for 3Mbps	2.13 dBm /	0.00163 W

3 Test Methodology

3.1. Mode of Operation

Decision of Test ATL has verified the construction and function in typical operation. All the test modes were carried out with the EUT in normal operation, which was shown in this test report and defined as:

Test Mode
Mode 1: IDLE Mode
Mode 2: Normal Operation Mode
Mode 3: GFSK Link Mode
Mode 4: $\pi/4$ -DQPSK Link Mode
Mode 5: 8DPSK Link Mode
Mode 6: Receiver Mode
Mode 7: Hopping Mode

Description of Test Modes

Preliminary tests were performed in different modulation to find the worst case. The modulation shown in the table below is the worst-case. Investigation has been done on all the possible configurations for searching the worst cases. The following table is a list of the test modes shown in this test report.

Modulation Type	Channel	Frequency (MHz)	Packet Type	Peak Conducted Power		Worst Case
				(dBm)	(W)	
GFSK	Low	2402	DH1	-0.14	0.00097	<input type="checkbox"/>
	Low	2402	DH3	-0.16	0.00096	<input type="checkbox"/>
	Low	2402	DH5	-0.17	0.00096	<input type="checkbox"/>
	Middle	2441	DH1	-0.04	0.00099	<input type="checkbox"/>
	Middle	2441	DH3	-0.06	0.00099	<input type="checkbox"/>
	Middle	2441	DH5	-0.06	0.00099	<input type="checkbox"/>
	High	2480	DH1	-0.36	0.00092	<input type="checkbox"/>
	High	2480	DH3	-0.38	0.00092	<input type="checkbox"/>
	High	2480	DH5	-0.38	0.00092	<input type="checkbox"/>
$\pi/4$ -DQPSK	Low	2402	2DH1	1.49	0.00141	<input type="checkbox"/>
	Low	2402	2DH3	1.49	0.00141	<input type="checkbox"/>
	Low	2402	2DH5	1.50	0.00141	<input type="checkbox"/>
	Middle	2441	2DH1	1.64	0.00146	<input type="checkbox"/>
	Middle	2441	2DH3	1.62	0.00145	<input type="checkbox"/>
	Middle	2441	2DH5	1.62	0.00145	<input type="checkbox"/>
	High	2480	2DH1	1.31	0.00135	<input type="checkbox"/>
	High	2480	2DH3	1.32	0.00136	<input type="checkbox"/>
	High	2480	2DH5	1.31	0.00135	<input type="checkbox"/>
8DPSK	Low	2402	3DH1	1.98	0.00158	<input type="checkbox"/>
	Low	2402	3DH3	1.97	0.00157	<input type="checkbox"/>
	Low	2402	3DH5	1.99	0.00158	<input type="checkbox"/>
	Middle	2441	3DH1	2.13	0.00163	<input checked="" type="checkbox"/>
	Middle	2441	3DH3	2.10	0.00162	<input type="checkbox"/>
	Middle	2441	3DH5	2.12	0.00163	<input type="checkbox"/>
	High	2480	3DH1	1.82	0.00152	<input type="checkbox"/>
	High	2480	3DH3	1.78	0.00151	<input type="checkbox"/>
	High	2480	3DH5	1.82	0.00152	<input type="checkbox"/>

Tested System Details

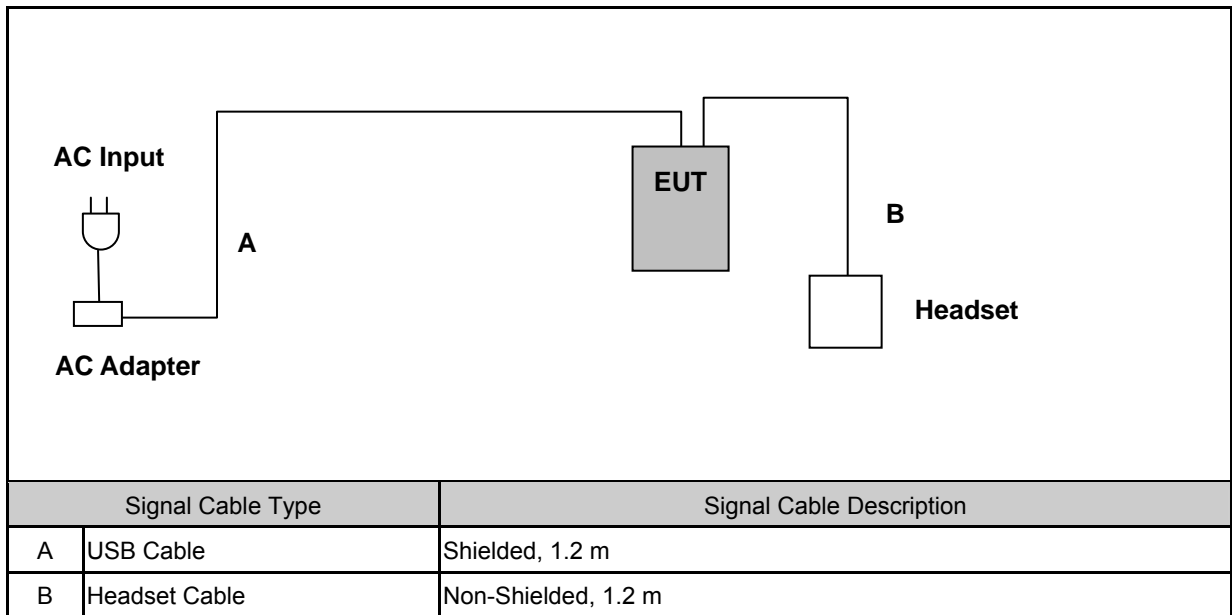
The types for all equipments, plus descriptions of all cables used in the tested system (including inserted cards) are:

	Product	Manufacturer	Model Number	Serial Number	Power Cord
1.	Bluetooth Tester	R & S	CBT	100350	NA

3.2. EUT Exercise Software

1.	Setup the EUT and Bluetooth Tester (CBT) as shown on 3.3.
2.	Turn on the power of all equipment.
3.	EUT run test program.
4.	Open Bluetooth function link to CBT.

3.3. Configuration of Test System Details



3.4. Test Site Environment

Items	Required (IEC 68-1)	Actual
Temperature (°C)	15-35	26
Humidity (%RH)	25-75	60
Barometric pressure (mbar)	860-1060	950

4 Conducted Emission Measurement

4.1. Limit

Frequency (MHz)	Quasi-peak	Average
0.15 - 0.5	66 to 56	56 to 46
0.50 - 5.0	56	46
5.0 - 30.0	60	50

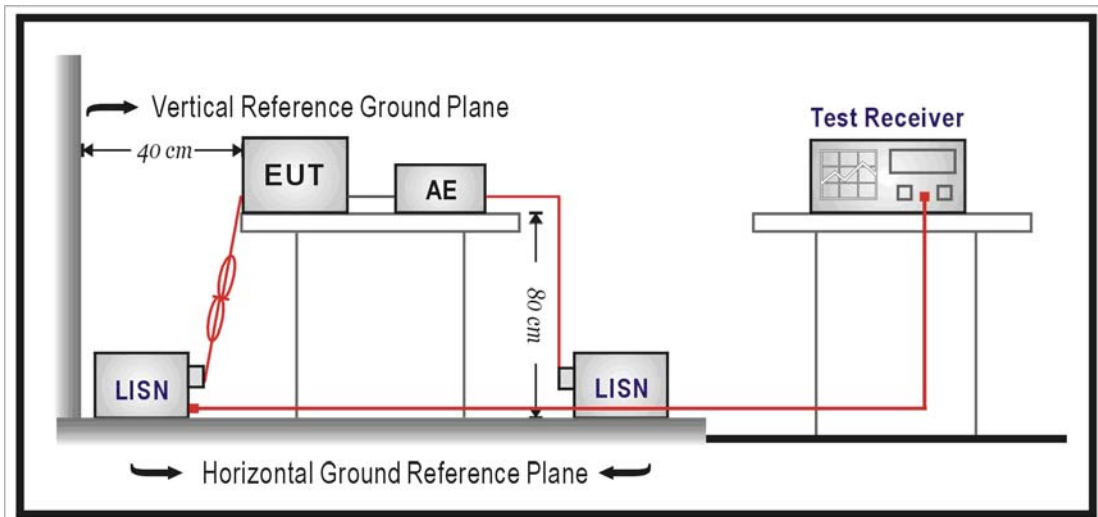
4.2. Test Instruments

Describe	Manufacturer	Model Number	Serial Number	Cal. Date	Remark
Test Receiver	R&S	ESCI	100367	06/30/2010	(1)
LISN	R&S	ENV216	101040	03/04/2011	(1)
LISN	R&S	ENV216	101041	03/04/2011	(1)
Test Site	ATL	TE05	TE05	N.C.R.	-----

Remark: (1) Calibration period 1 year. (2) Calibration period 2 years.

NOTE: N.C.R. = No Calibration Request.

4.3. Test Setup



4.4. Test Procedure

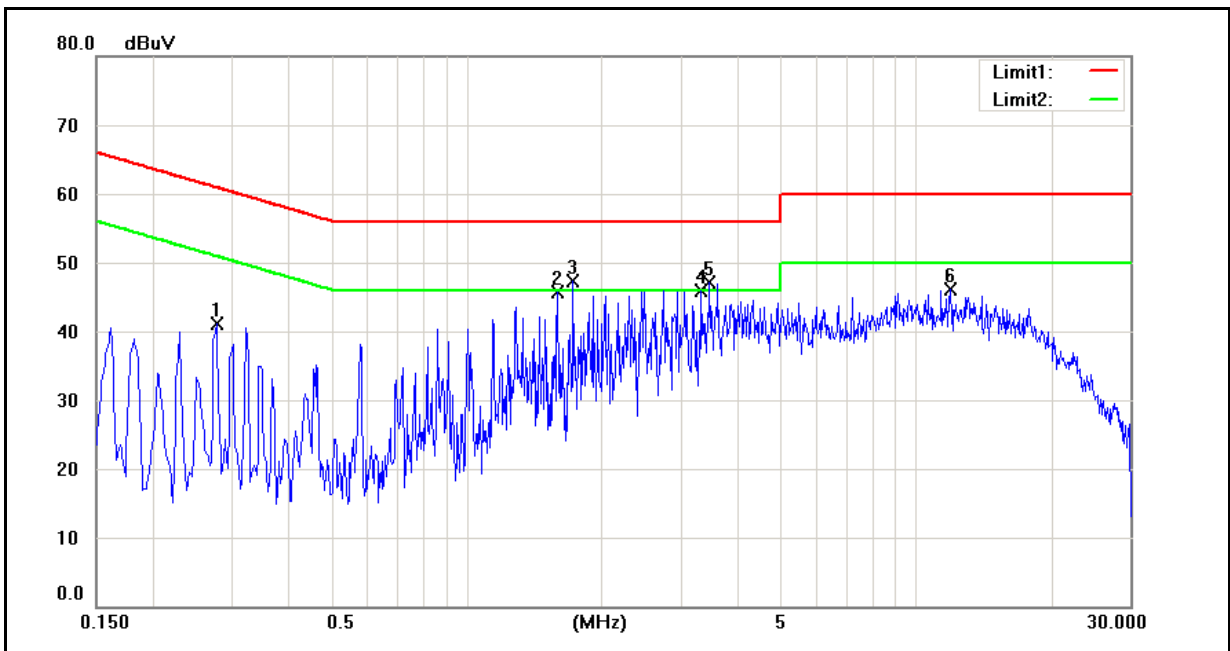
The power line conducted emission measurements were performed in a shielded enclosure. The EUT was assembled on a wooden table which is 80 centimeters high, was placed 40 centimeters from the back wall and at least 1 meter from the sidewall.

Power was fed to the EUT from the public utility power grid through a line filter and EMCO Model 3162/2 SH Line Impedance Stabilization Networks (LISN). The LISN housing, measuring instrumentation case, ground plane, etc., were electrically bonded together at the same RF potential. The Spectrum analyzer was connected to the AC line through an isolation transformer. The 50-ohm output of the LISN was connected to the spectrum analyzer directly. Conducted emission levels were in the CISPR quasi-peak detection mode. The analyzer's 6 dB bandwidth was set to 9 KHz. No post-detector video filter was used.

The spectrum was scanned from 150 KHz to 30 MHz. The physical arrangement of the test system and associated cabling was varied (within the scope of arrangements likely to be encountered in actual use) to determine the effect on the unit's emanations in amplitude and frequency. All spurious emission frequencies were observed. The highest emission amplitudes relative to the appropriate limit were measured and have been recorded in paragraph 4.1.

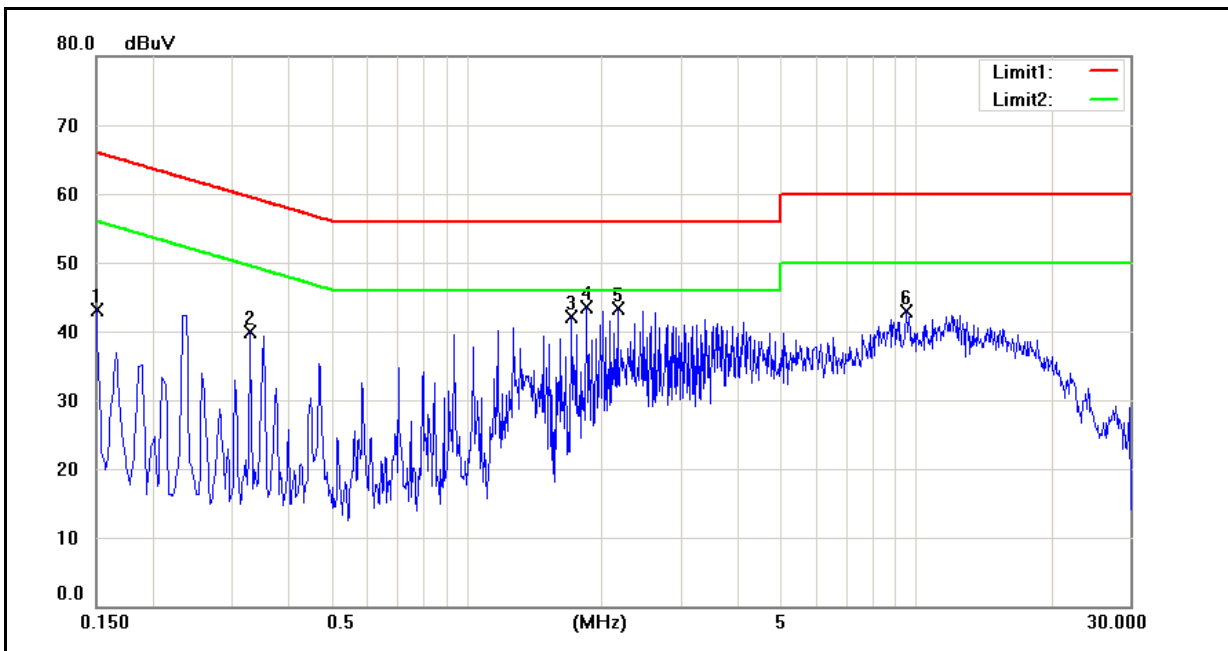
4.5. Test Result

Standard:	FCC Part 15C	Line:	L1
Test item:	Conducted Emission	Power:	AC 120V/60Hz
Model Number:	PH85110	Temp.(°C)/Hum.(%RH):	26(°C)/60%RH
Mode:	Mode 1	Date:	06/07/2011
		Test By:	Gary Wu
Description:			



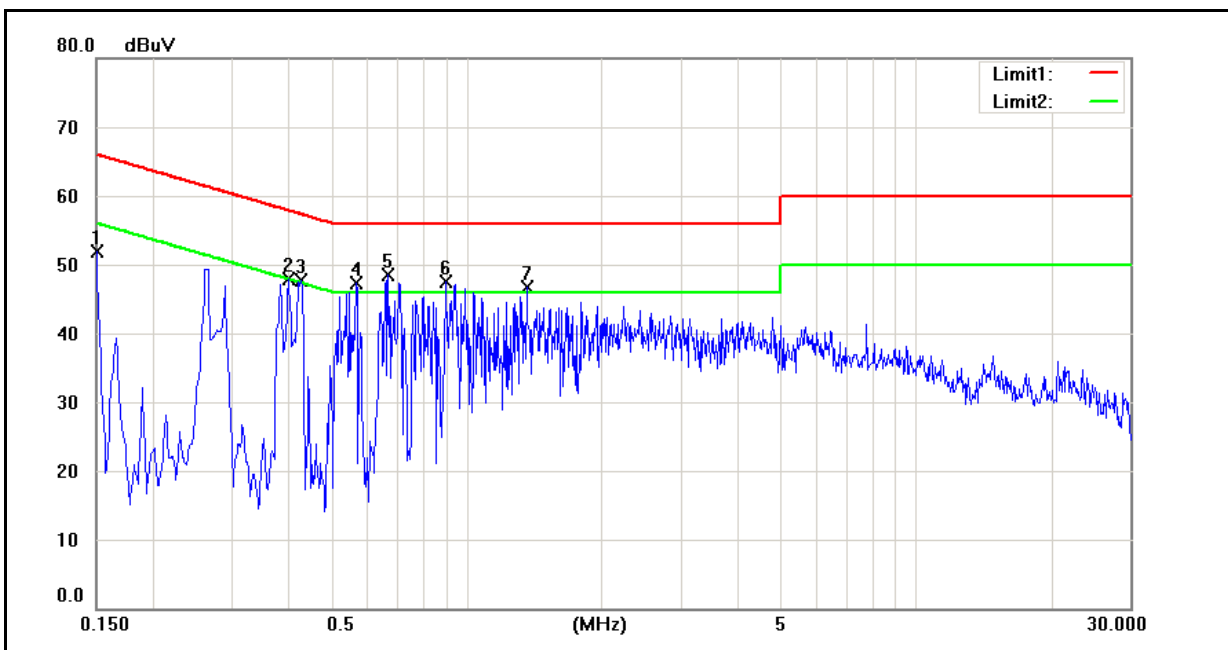
No.	Frequency (MHz)	QP reading (dBuV)	AVG reading (dBuV)	Correction factor (dB)	QP result (dBuV)	AVG result (dBuV)	QP limit (dBuV)	AVG limit (dBuV)	QP margin (dB)	AVG margin (dB)	Remark
1	0.2780	26.88	11.55	10.02	36.90	21.57	60.88	50.88	-23.98	-29.31	Pass
2	1.5980	31.25	21.01	9.69	40.94	30.70	56.00	46.00	-15.06	-15.30	Pass
3	1.7340	30.06	18.99	9.69	39.75	28.68	56.00	46.00	-16.25	-17.32	Pass
4	3.3340	28.18	17.83	9.80	37.98	27.63	56.00	46.00	-18.02	-18.37	Pass
5	3.4860	27.47	16.29	9.79	37.26	26.08	56.00	46.00	-18.74	-19.92	Pass
6	11.9940	28.50	19.50	10.31	38.81	29.81	60.00	50.00	-21.19	-20.19	Pass

Standard:	FCC Part 15C	Line:	N
Test item:	Conducted Emission	Power:	AC 120V/60Hz
Model Number:	PH85110	Temp.(°C)/Hum.(%RH):	26(°C)/60%RH
Mode:	Mode 1	Date:	06/07/2011
		Test By:	Gary Wu
Description:			



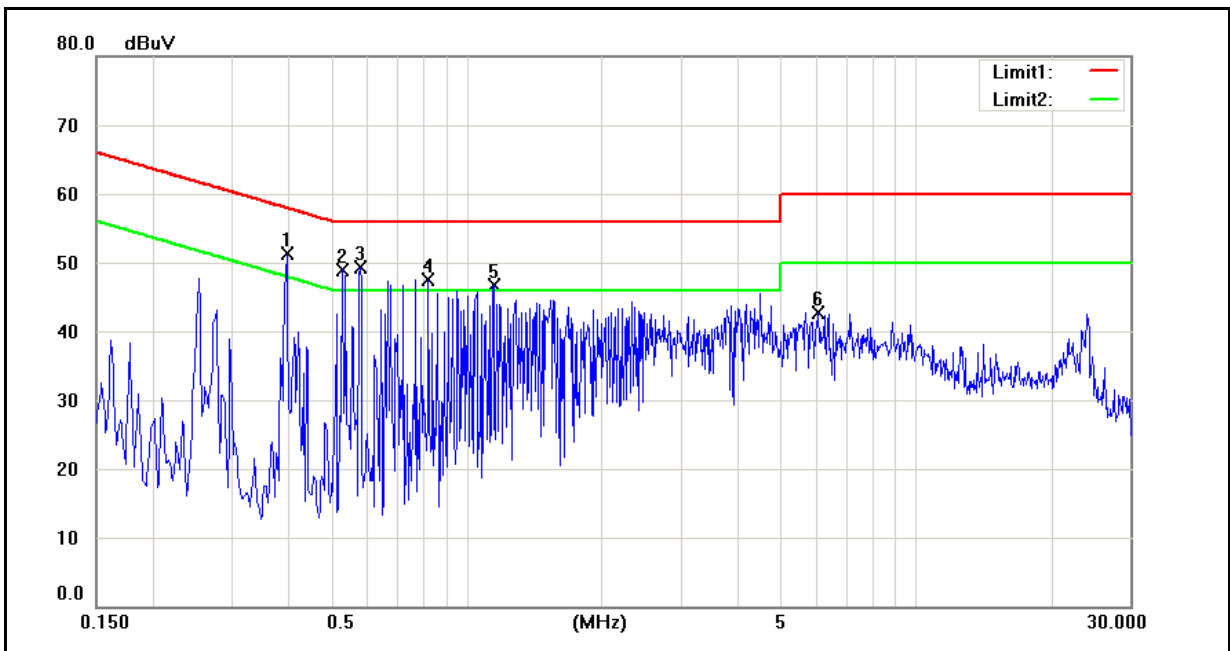
No.	Frequency (MHz)	QP reading (dBuV)	AVG reading (dBuV)	Correction factor (dB)	QP result (dBuV)	AVG result (dBuV)	QP limit (dBuV)	AVG limit (dBuV)	QP margin (dB)	AVG margin (dB)	Remark
1	0.1500	28.94	9.56	10.15	39.09	19.71	66.00	56.00	-26.91	-36.29	Pass
2	0.3300	25.63	9.59	10.08	35.71	19.67	59.45	49.45	-23.74	-29.78	Pass
3	1.7140	22.52	9.99	9.75	32.27	19.74	56.00	46.00	-23.73	-26.26	Pass
4	1.8500	21.47	8.78	9.74	31.21	18.52	56.00	46.00	-24.79	-27.48	Pass
5	2.1700	25.23	16.01	9.76	34.99	25.77	56.00	46.00	-21.01	-20.23	Pass
6	9.5260	23.35	15.09	10.18	33.53	25.27	60.00	50.00	-26.47	-24.73	Pass

Standard:	FCC Part 15C	Line:	L1
Test item:	Conducted Emission	Power:	AC 120V/60Hz
Model Number:	PH85110	Temp.(°C)/Hum.(%RH):	26(°C)/60%RH
Mode:	Mode 2	Date:	06/07/2011
		Test By:	Gary Wu
Description:			



No.	Frequency (MHz)	QP reading (dBuV)	AVG reading (dBuV)	Correction factor (dB)	QP result (dBuV)	AVG result (dBuV)	QP limit (dBuV)	AVG limit (dBuV)	QP margin (dB)	AVG margin (dB)	Remark
1	0.1500	38.51	16.17	10.07	48.58	26.24	66.00	56.00	-17.42	-29.76	Pass
2	0.4020	33.37	17.42	9.97	43.34	27.39	57.81	47.81	-14.47	-20.42	Pass
3	0.4300	33.46	16.49	9.96	43.42	26.45	57.25	47.25	-13.83	-20.80	Pass
4	0.5700	32.61	13.70	9.90	42.51	23.60	56.00	46.00	-13.49	-22.40	Pass
5	0.6700	32.29	13.72	9.86	42.15	23.58	56.00	46.00	-13.85	-22.42	Pass
6	0.9020	31.70	13.47	9.77	41.47	23.24	56.00	46.00	-14.53	-22.76	Pass
7	1.3660	28.11	13.72	9.69	37.80	23.41	56.00	46.00	-18.20	-22.59	Pass

Standard:	FCC Part 15C	Line:	N
Test item:	Conducted Emission	Power:	AC 120V/60Hz
Model Number:	PH85110	Temp.(°C)/Hum.(%RH):	26(°C)/60%RH
Mode:	Mode 2	Date:	06/07/2011
		Test By:	Gary Wu
Description:			



No.	Frequency (MHz)	QP reading (dBuV)	AVG reading (dBuV)	Correction factor (dB)	QP result (dBuV)	AVG result (dBuV)	QP limit (dBuV)	AVG limit (dBuV)	QP margin (dB)	AVG margin (dB)	Remark
1	0.3980	33.01	12.55	10.05	43.06	22.60	57.90	47.90	-14.84	-25.30	Pass
2	0.5300	34.13	10.58	10.00	44.13	20.58	56.00	46.00	-11.87	-25.42	Pass
3	0.5820	32.82	7.46	9.98	42.80	17.44	56.00	46.00	-13.20	-28.56	Pass
4	0.8220	31.82	7.83	9.87	41.69	17.70	56.00	46.00	-14.31	-28.30	Pass
5	1.1500	30.64	9.17	9.79	40.43	18.96	56.00	46.00	-15.57	-27.04	Pass
6	6.0780	24.21	11.41	9.86	34.07	21.27	60.00	50.00	-25.93	-28.73	Pass

5 Radiated Interference Measurement

5.1. Limit

Frequency Range (MHz)	Peak (dBuV)
30 to 88	39
88 to 216	43.5
216 to 960	46.4
Above 960	49.5

5.2. Test Instruments

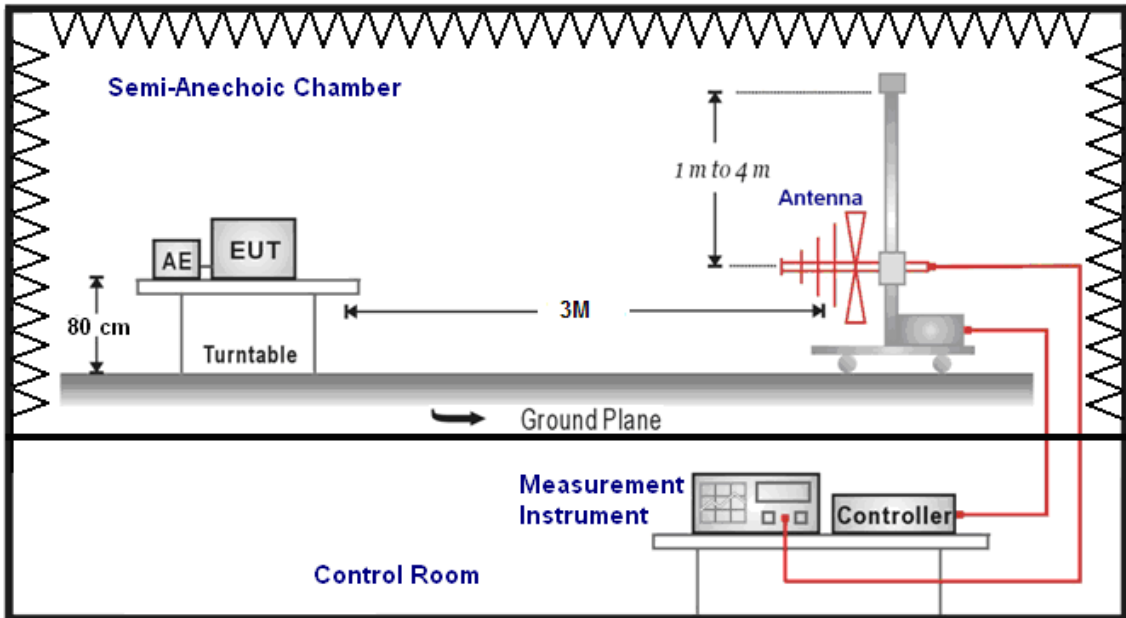
3 Meter Chamber (966-A)					
Equipment	Manufacturer	Model Number	Serial Number	Cal. Date	Remark
RF Pre-selector	Agilent	N9039A	MY46520256	01/18/2011	(2)
Spectrum Analyzer	Agilent	E4446A	MY46180578	01/18/2011	(1)
Pre Amplifier	Agilent	8449B	3008A02237	02/23/2011	(1)
Pre Amplifier	Agilent	8447D	2944A10961	02/23/2011	(1)
Broadband Antenna (30MHz~1GHz)	SCHWARZBECK MESS-ELEKTRONIK	VULB9163	9163-270	08/02/2010	(1)
Horn Antenna (1~18GHz)	SCHWARZBECK MESS-ELEKTRONIK	BBHA9120D	9120D-550	06/29/2010	(1)
Horn Antenna (18~40GHz)	SCHWARZBECK MESS-ELEKTRONIK	BBHA9170	9170-320	06/28/2010	(1)
Test Site	ATL	TE01	TE01	N.C.R	----

Remark: (1) Calibration period 1 year. (2) Calibration period 2 years.

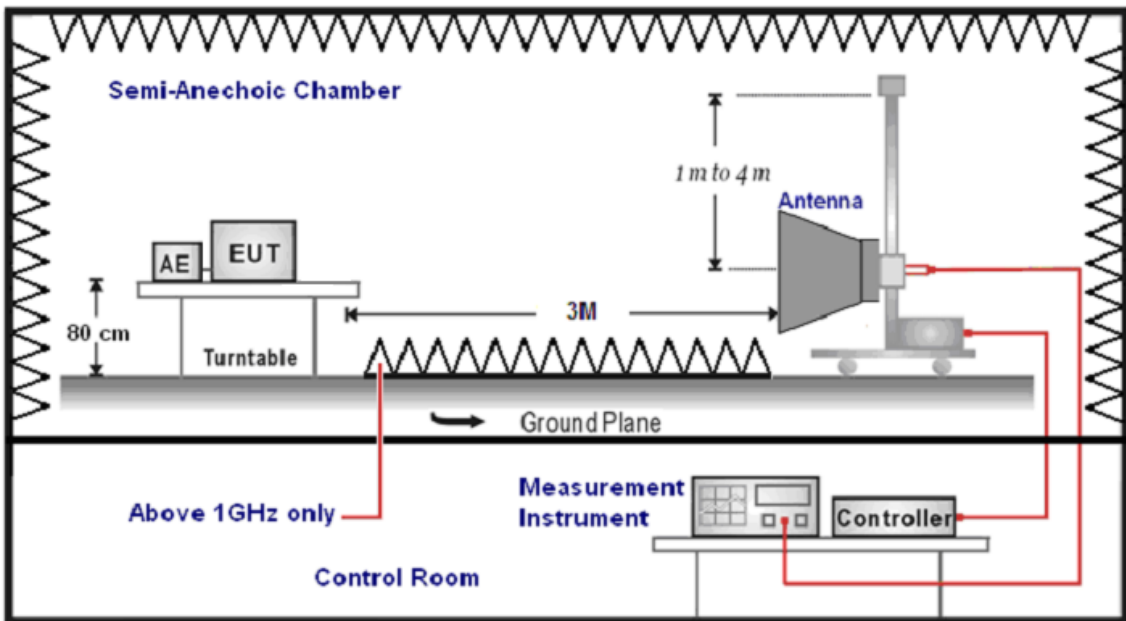
NOTE: N.C.R. = No Calibration Request.

5.3. Setup

Below 1GHz



Above 1GHz



5.4. Test Procedure

Final radiation measurements were made on a three-meter, Semi Anechoic Chamber. The EUT system was placed on a nonconductive turntable which is 0.8 meters height, top surface 1.0 x 1.5 meter. The spectrum was examined from 250 MHz to 2.5 GHz in order to cover the whole spectrum below 10th harmonic which could generate from the EUT. During the test, EUT was set to transmit continuously & Measurements spectrum range from 30 MHz to 26.5 GHz is investigated.

For measurements below 1 GHz the resolution bandwidth is set to 100 kHz for peak detection measurements or 120 kHz for quasi-peak detection measurements. Peak detection is used unless otherwise noted as quasi-peak.

For measurements above 1 GHz the resolution bandwidth is set to 1 MHz, and then the video bandwidth is set to 1 MHz for peak measurements and 10 Hz for average measurements.

A nonconductive material surrounded the EUT to supporting the EUT for standing on three orthogonal planes. At each condition, the EUT was rotated 360 degrees, and the antenna was raised and lowered from one to four meters to find the maximum emission levels. Measurements were taken using both horizontal and vertical antenna polarization.

SCHWARZBECK MESS-ELEKTRONIK Biconilog Antenna (mode VULB9163) at 3 Meter and the SCHWARZBECK Double Ridged Guide Antenna (model BBHA9120D&9170) was used in frequencies 1 – 26.5 GHz at a distance of 1 meter. All test results were extrapolated to equivalent signal at 3 meters utilizing an inverse linear distance extrapolation Factor (20dB/decade).

For testing above 1GHz, the emission level of the EUT in peak mode was 20dB lower than average limit (that means the emission level in peak mode also complies with the limit in average mode), then testing will be stopped and peak values of EUT will be reported, otherwise, the emissions will be measured in average mode again and reported.

Appropriate preamplifiers were used for improving sensitivity and precautions were taken to avoid overloading or desensitizing the spectrum analyzer. No post – detector video filters were used in the test.

The spectrum analyzer's 6 dB bandwidth was set to 1 MHz, and the analyzer was operated in the peak detection mode, for frequencies both below and up 1 GHz. The average levels were obtained by subtracting the duty cycle correction factor from the peak readings.

The following procedures were used to convert the emission levels measured in decibels referenced to 1 microvolt (dBuV) into field intensity in micro volts pre meter ($\mu\text{V}/\text{m}$).

The actual field intensity in decibels referenced to 1 microvolt in to field intensity in micro volts per meter (dBuV/m).

The actual field intensity in referenced to 1 microvolt per meter (dBuV/m) is determined by algebraically adding the measured reading in dBuV, the antenna factor (dB), and cable loss (dB) and Subtracting the gain of preamplifier (dB) is auto calculate in spectrum analyzer.

(1) $\text{Amplitude (dBuV/m)} = \text{FI (dBuV)} + \text{AF (dBuV)} + \text{CL (dBuV)} - \text{Gain (dB)}$

FI= Reading of the field intensity.

AF= Antenna factor.

CL= Cable loss.

P.S Amplitude is auto calculate in spectrum analyzer.

(2) $\text{Actual Amplitude (dBuV/m)} = \text{Amplitude (dBuV)} - \text{Dis(dB)}$

The FCC specified emission limits were calculated according the EUT operating frequency and by following linear interpolation equations:

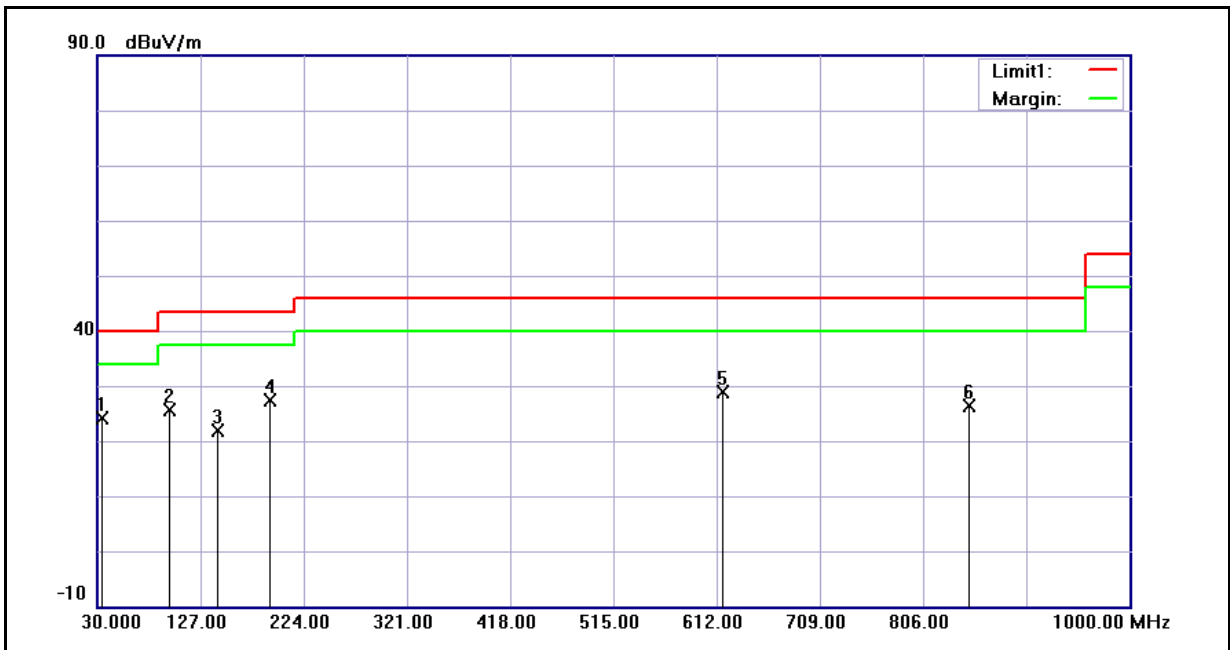
(a) For fundamental frequency : Transmitter Output < +30dBm

(b) For spurious frequency : Spurious emission limits = fundamental emission limit /10

5.5. Test Result

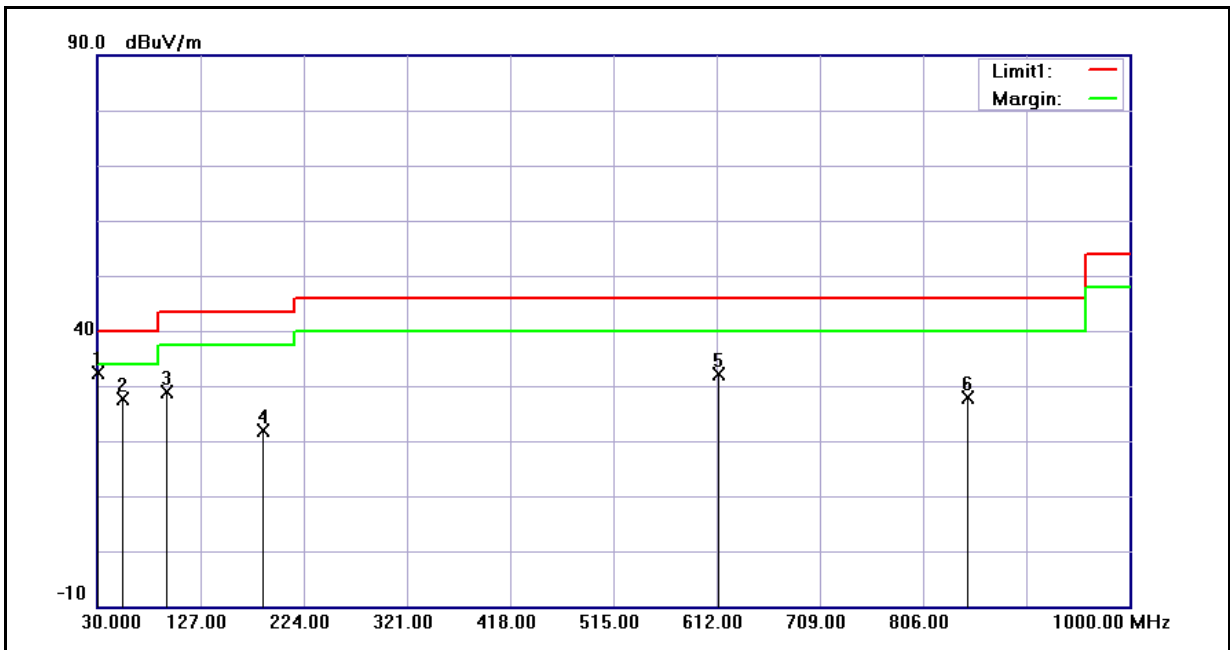
Below 1GHz

Standard:	FCC Part 15C	Test Distance:	3m
Test item:	Radiated Emission	Power:	AC 120V/60Hz
Model Number:	PH85110	Temp.(°C)/Hum.(%RH):	26(°C)/60%RH
Mode:	Mode 2	Date:	06/01/2011
Ant.Polar.:	Horizontal	Test By:	Gary Wu



No.	Frequency (MHz)	Reading (dBuV)	Correct Factor(dB/m)	Result (dBuV/m)	Limit (dBuV/m)	Margin (dB)	Remark
1	34.0000	37.45	-13.25	24.20	40.00	-15.80	QP
2	98.0000	39.53	-13.93	25.60	43.50	-17.90	QP
3	144.0000	38.83	-16.93	21.90	43.50	-21.60	QP
4	192.0000	41.19	-13.79	27.40	43.50	-16.10	QP
5	618.0000	33.45	-4.55	28.90	46.00	-17.10	QP
6	849.0000	27.20	-0.90	26.30	46.00	-19.70	QP

Standard:	FCC Part 15C	Test Distance:	3m
Test item:	Radiated Emission	Power:	AC 120V/60Hz
Model Number:	PH85110	Temp.(°C)/Hum.(%RH):	26(°C)/60%RH
Mode:	Mode 2	Date:	06/01/2011
Ant.Polar.:	Vertical	Test By:	Gary Wu



No.	Frequency (MHz)	Reading (dBuV)	Correct Factor(dB/m)	Result (dBuV/m)	Limit (dBuV/m)	Margin (dB)	Remark
1	30.0000	46.04	-13.64	32.40	40.00	-7.60	QP
2	54.0000	39.69	-11.99	27.70	40.00	-12.30	QP
3	95.0000	43.44	-14.64	28.80	43.50	-14.70	QP
4	186.0000	36.39	-14.49	21.90	43.50	-21.60	QP
5	614.5000	36.69	-4.59	32.10	46.00	-13.90	QP
6	848.5000	28.71	-0.91	27.80	46.00	-18.20	QP

Above 1GHz

Standard:	FCC Part 15C	Test Distance:	3m
Test item:	Radiated Emission	Power:	AC 120V/60Hz
Model Number:	PH85110	Temp.(°C)/Hum.(%RH):	26(°C)/60%RH
Mode:	Mode 3	Date:	06/01/2011
Frequency:	2402 MHz	Test By:	Gary Wu

Frequency (MHz)	Reading (dBuV)	Correct Factor(dB/m)	Result (dBuV/m)	Limit (dBuV/m)	Margin (dB)	Remark	Ant.Polar. H / V
4234.000	37.56	6.03	43.59	74.00	-30.41	peak	H
5522.000	35.37	10.02	45.39	74.00	-28.61	peak	H
7027.000	36.51	14.48	50.99	74.00	-23.01	peak	H
4276.000	37.85	6.17	44.02	74.00	-29.98	peak	V
6047.000	36.25	10.96	47.21	74.00	-26.79	peak	V
7195.000	36.31	14.92	51.23	74.00	-22.77	peak	V

Standard:	FCC Part 15C	Test Distance:	3m
Test item:	Radiated Emission	Power:	AC 120V/60Hz
Model Number:	PH85110	Temp.(°C)/Hum.(%RH):	26(°C)/60%RH
Mode:	Mode 3	Date:	06/01/2011
Frequency:	2441 MHz	Test By:	Gary Wu

Frequency (MHz)	Reading (dBuV)	Correct Factor(dB/m)	Result (dBuV/m)	Limit (dBuV/m)	Margin (dB)	Remark	Ant.Polar. H / V
4136.000	38.34	5.75	44.09	74.00	-29.91	peak	H
5641.000	36.83	10.21	47.04	74.00	-26.96	peak	H
6887.000	36.47	14.06	50.53	74.00	-23.47	peak	H
4157.000	38.44	5.81	44.25	74.00	-29.75	peak	V
6145.000	35.93	11.38	47.31	74.00	-26.69	peak	V
6922.000	36.43	14.17	50.60	74.00	-23.40	peak	V

Standard:	FCC Part 15C			Test Distance:	3m		
Test item:	Radiated Emission			Power:	AC 120V/60Hz		
Model Number:	PH85110			Temp.(°C)/Hum.(%RH):	26(°C)/60%RH		
Mode:	Mode 3			Date:	06/01/2011		
Frequency:	2480 MHz			Test By:	Gary Wu		
Frequency (MHz)	Reading (dBuV)	Correct Factor(dB/m)	Result (dBuV/m)	Limit (dBuV/m)	Margin (dB)	Remark	Ant.Polar. H / V
4801.000	36.84	7.84	44.68	74.00	-29.32	peak	H
5795.000	36.29	10.44	46.73	74.00	-27.27	peak	H
7097.000	36.71	14.67	51.38	74.00	-22.62	peak	H
4605.000	37.62	7.20	44.82	74.00	-29.18	peak	V
5480.000	37.32	9.93	47.25	74.00	-26.75	peak	V
6978.000	36.07	14.35	50.42	74.00	-23.58	peak	V

Standard:	FCC Part 15C			Test Distance:	3m		
Test item:	Radiated Emission			Power:	AC 120V/60Hz		
Model Number:	PH85110			Temp.(°C)/Hum.(%RH):	26(°C)/60%RH		
Mode:	Mode 5			Date:	06/01/2011		
Frequency:	2402 MHz			Test By:	Gary Wu		
Frequency (MHz)	Reading (dBuV)	Correct Factor(dB/m)	Result (dBuV/m)	Limit (dBuV/m)	Margin (dB)	Remark	Ant.Polar. H / V
4360.000	38.15	6.43	44.58	74.00	-29.42	peak	H
6194.000	35.33	11.58	46.91	74.00	-27.09	peak	H
6796.000	37.08	13.79	50.87	74.00	-23.13	peak	H
4276.000	38.30	6.17	44.47	74.00	-29.53	peak	V
5655.000	36.34	10.23	46.57	74.00	-27.43	peak	V
7076.000	37.23	14.61	51.84	74.00	-22.16	peak	V

Standard:	FCC Part 15C	Test Distance:	3m				
Test item:	Radiated Emission	Power:	AC 120V/60Hz				
Model Number:	PH85110	Temp.(°C)/Hum.(%RH):	26(°C)/60%RH				
Mode:	Mode 5	Date:	06/01/2011				
Frequency:	2441 MHz	Test By:	Gary Wu				
Frequency (MHz)	Reading (dBuV)	Correct Factor(dB/m)	Result (dBuV/m)	Limit (dBuV/m)	Margin (dB)	Remark	Ant.Polar. H / V
4220.000	37.76	5.99	43.75	74.00	-30.25	peak	H
5760.000	36.13	10.39	46.52	74.00	-27.48	peak	H
6950.000	36.79	14.26	51.05	74.00	-22.95	peak	H
4815.000	37.11	7.89	45.00	74.00	-29.00	peak	V
5977.000	36.32	10.73	47.05	74.00	-26.95	peak	V
6992.000	37.27	14.38	51.65	74.00	-22.35	peak	V

Standard:	FCC Part 15C	Test Distance:	3m
Test item:	Radiated Emission	Power:	AC 120V/60Hz
Model Number:	PH85110	Temp.(°C)/Hum.(%RH):	26(°C)/60%RH
Mode:	Mode 5	Date:	06/01/2011
Frequency:	2480 MHz	Test By:	Gary Wu

Frequency (MHz)	Reading (dBuV)	Correct Factor(dB/m)	Result (dBuV/m)	Limit (dBuV/m)	Margin (dB)	Remark	Ant.Polar. H / V
4080.000	38.40	5.57	43.97	74.00	-30.03	peak	H
5515.000	36.27	10.01	46.28	74.00	-27.72	peak	H
6999.000	37.12	14.41	51.53	74.00	-22.47	peak	H
4465.000	36.80	6.74	43.54	74.00	-30.46	peak	V
6523.000	37.38	12.96	50.34	74.00	-23.66	peak	V
7027.000	37.21	14.48	51.69	74.00	-22.31	peak	V

Standard:	FCC Part 15C	Test Distance:	3m
Test item:	Radiated Emission	Power:	AC 120V/60Hz
Model Number:	PH85110	Temp.(°C)/Hum.(%RH):	26(°C)/60%RH
Mode:	Mode 6	Date:	07/05/2011
Frequency:	2441 MHz	Test By:	Gary Wu

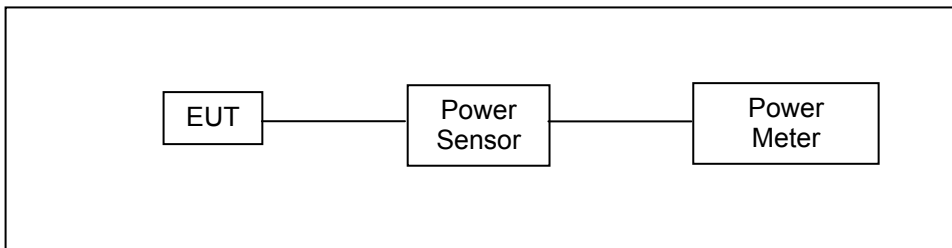
Frequency (MHz)	Reading (dBuV)	Correct Factor(dB/m)	Result (dBuV/m)	Limit (dBuV/m)	Margin (dB)	Remark	Ant.Polar. H / V
3815.000	48.15	0.00	48.15	74.00	-25.85	peak	H
4589.000	43.06	7.09	50.15	74.00	-23.85	peak	H
5691.000	36.81	10.34	47.15	74.00	-26.85	peak	H
5249.000	38.22	8.93	47.15	74.00	-26.85	peak	V
6085.000	37.21	11.27	48.48	74.00	-25.52	peak	V
6215.000	37.00	11.66	48.66	74.00	-25.34	peak	V

6 Maximum Conducted Output Power Measurement

6.1. Limit

For frequency hopping systems operating in the 2400–2483.5 MHz band employing at least 75 non-overlapping hopping channels < 1 watt.

6.2. Test Setup



6.3. Test Instruments

Equipment	Manufacturer	Model Number	Serial Number	Cal. Date	Remark
Single Channel PK Power Sensor	Agilent	N1911A	MY45101619	07/19/2010	(2)
Wideband Power Meter	Agilent	N1921A	MY45241957	07/19/2010	(2)
Test Site	ATL	TE02	TE02	N.C.R.	----

Remark: (1) Calibration period 1 year. (2) Calibration period 2 years.

NOTE: N.C.R. = No Calibration Request.

6.4. Test Procedure

The tests below are run with the EUT's transmitter set at high power in TX mode. The EUT is needed to force selection of output power level and channel number. While testing, EUT was set to transmit continuously. Remove the Subjective device's antenna and connect the RF output port to power sensor. The maximum peak output power shall not exceed 1 watt.

Use a direct connection between the antenna port of transmitter and the power sensor, for prevent the power sensor input attenuation 40-50 dB. Set the RBW Bandwidth of the emission or use a channel power meter mode.

For antennas with gains of 6 dBi or less, maximum allowed transmitter output is 1 watt (+30 dBm). For antennas with gains greater than 6 dBi, transmitter output level must be decreased by an amount equal to (GAIN - 6)/3 dBm.

The antenna port of the EUT was connected to the input of a power sensor. Power was read directly and cable loss correction was added to the reading to obtain power at the EUT antenna terminals.

6.5. Test Result

Model Number	PH85110					
Test Item	Maximum Conducted Output Power					
Test Mode	Mode 3: GFSK Link Mode					
Date of Test	06/01/2011			Test Site	TE02	
Frequency (MHz)	Packet Type	Average Power		Peak Power		Limit (W)
		(dBm)	(W)	(dBm)	(W)	
2402	DH1	-5.40	0.00029	-0.14	0.00097	< 1
	DH3	-2.14	0.00061	-0.16	0.00096	< 1
	DH5	-1.45	0.00072	-0.17	0.00096	< 1
2441	DH1	-5.28	0.00030	-0.04	0.00099	< 1
	DH3	-2.01	0.00063	-0.06	0.00099	< 1
	DH5	-1.33	0.00074	-0.06	0.00099	< 1
2480	DH1	-5.60	0.00028	-0.36	0.00092	< 1
	DH3	-2.33	0.00058	-0.38	0.00092	< 1
	DH5	-1.64	0.00069	-0.38	0.00092	< 1

Model Number	PH85110					
Test Item	Maximum Conducted Output Power					
Test Mode	Mode 4: $\pi/4$ -DQPSK Mode					
Date of Test	06/01/2011			Test Site	TE02	
Frequency (MHz)	Packet Type	Average Power		Peak Power		Limit (W)
		(dBm)	(W)	(dBm)	(W)	
2402	DH1	-6.25	0.00024	1.49	0.00141	< 1
	DH3	-3.09	0.00049	1.49	0.00141	< 1
	DH5	-2.40	0.00058	1.50	0.00141	< 1
2441	DH1	-6.12	0.00024	1.64	0.00146	< 1
	DH3	-2.95	0.00051	1.62	0.00145	< 1
	DH5	-2.26	0.00059	1.62	0.00145	< 1
2480	DH1	-6.42	0.00023	1.31	0.00135	< 1
	DH3	-3.25	0.00047	1.32	0.00136	< 1
	DH5	-2.58	0.00055	1.31	0.00135	< 1

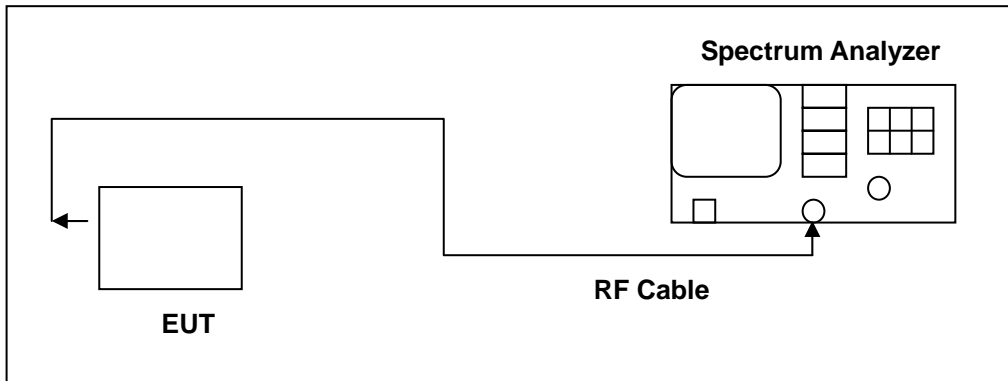
Model Number	PH85110					
Test Item	Maximum Conducted Output Power					
Test Mode	Mode 5: 8DPSK Mode					
Date of Test	06/01/2011			Test Site	TE02	
Frequency (MHz)	Packet Type	Average Power		Peak Power		Limit (W)
		(dBm)	(W)	(dBm)	(W)	
2402	DH1	-6.26	0.00024	1.98	0.00158	< 1
	DH3	-3.09	0.00049	1.97	0.00157	< 1
	DH5	-2.41	0.00057	1.99	0.00158	< 1
2441	DH1	-6.12	0.00024	2.13	0.00163	< 1
	DH3	-2.96	0.00051	2.10	0.00162	< 1
	DH5	-2.27	0.00059	2.12	0.00163	< 1
2480	DH1	-6.42	0.00023	1.82	0.00152	< 1
	DH3	-3.26	0.00047	1.78	0.00151	< 1
	DH5	-2.57	0.00055	1.82	0.00152	< 1

7 Minimum 20dB RF Bandwidth Measurement

7.1. Limit

N/A

7.2. Test Setup



7.3. Test Instruments

Equipment	Manufacturer	Model Number	Serial Number	Cal. Date	Remark
Spectrum Analyzer	Agilent	E4445A	MY46181986	05/16/2011	(1)
Test Site	ATL	TE02	TE02	N.C.R.	-----

Remark: (1) Calibration period 1 year. (2) Calibration period 2 years.

NOTE: N.C.R. = No Calibration Request.

7.4. Test Procedure

The RF output port of the Equipment-Under-Test is directly coupled to the input of the EMC analyzer through a specialized RF connector and a 10dB passive attenuator. A fully charged battery was used for the supply voltage. The Bluetooth frequency hopping function of the EUT was enabled. The spectrum analyzer used the following settings:

1. Span = approx. 2 to 3 times the 20dB bandwidth, centered on a hopping frequency
2. RBW \geq 1% of the 20dB span
3. VBW \geq RBW
4. Sweep = auto
5. Detector function = peak
6. Trace = max hold

The trace was allowed to stabilize. The EUT was transmitting at its maximum data rate. The marker-to-peak function was used to set the marker to the peak of the emission. The marker-delta function was used to measure 20dB down one side of the emission. The marker-delta function and marker was moved to the other side of the emission until it was even with the reference marker. The marker-delta reading at this point was the 20dB bandwidth of the emission.

7.5. Test Result

Model Number	PH85110		
Test Item	Minimum 20dB RF Bandwidth		
Test Mode	Mode 3: GFSK Link Mode		
Date of Test	07/13/2011	Test Site	TE02
Frequency (MHz)	Measurement (MHz)		Limit (MHz)
2402	0.892		----
2441	0.939		----
2480	0.939		----

Model Number	PH85110		
Test Item	Minimum 20dB RF Bandwidth		
Test Mode	Mode 5: 8DPSK Link Mode		
Date of Test	07/13/2011	Test Site	TE02
Frequency (MHz)	20dB Bandwidth (MHz)		Limit (MHz)
2402	1.312		----
2441	1.316		----
2480	1.319		----

7.6. Test Graphs

Mode 3: GFSK Link Mode																					
2402	<p>Agilent T Freq/Channel</p> <p>Ref 15.76 dBm Atten 20 dB Mkr2 892 kHz #Peak 0.25 dB</p> <p>Log 10 dB/ Offst 5.76 dB DI -21.7 dBm LgAv</p> <p>Center 2.402 000 GHz Span 1.5 MHz #Res BW 30 kHz #VBW 100 kHz Sweep 1.6 ms (601 pts)</p> <table border="1"> <thead> <tr> <th>Marker</th> <th>Trace</th> <th>Type</th> <th>X Axis</th> <th>Amplitude</th> </tr> </thead> <tbody> <tr> <td>1</td> <td>(1)</td> <td>Freq</td> <td>2.401 848 GHz</td> <td>-1.71 dBm</td> </tr> <tr> <td>2R</td> <td>(1)</td> <td>Freq</td> <td>2.401 552 GHz</td> <td>-21.87 dBm</td> </tr> <tr> <td>2a</td> <td>(1)</td> <td>Freq</td> <td>892 kHz</td> <td>0.25 dB</td> </tr> </tbody> </table> <p>Center Freq 2.40200000 GHz Start Freq 2.40125000 GHz Stop Freq 2.40275000 GHz CF Step 150.000000 kHz Freq Offset 0.00000000 Hz Signal Track On Off</p> <p>Copyright 2000-2005 Agilent Technologies</p>	Marker	Trace	Type	X Axis	Amplitude	1	(1)	Freq	2.401 848 GHz	-1.71 dBm	2R	(1)	Freq	2.401 552 GHz	-21.87 dBm	2a	(1)	Freq	892 kHz	0.25 dB
Marker	Trace	Type	X Axis	Amplitude																	
1	(1)	Freq	2.401 848 GHz	-1.71 dBm																	
2R	(1)	Freq	2.401 552 GHz	-21.87 dBm																	
2a	(1)	Freq	892 kHz	0.25 dB																	
2441	<p>Agilent T Freq/Channel</p> <p>Ref 15.76 dBm Atten 20 dB Mkr2 939 kHz #Peak -1.03 dB</p> <p>Log 10 dB/ Offst 5.76 dB DI -22.9 dBm LgAv</p> <p>Center 2.441 000 GHz Span 1.5 MHz #Res BW 30 kHz #VBW 100 kHz Sweep 1.6 ms (601 pts)</p> <table border="1"> <thead> <tr> <th>Marker</th> <th>Trace</th> <th>Type</th> <th>X Axis</th> <th>Amplitude</th> </tr> </thead> <tbody> <tr> <td>1</td> <td>(1)</td> <td>Freq</td> <td>2.440 992 GHz</td> <td>-2.87 dBm</td> </tr> <tr> <td>2R</td> <td>(1)</td> <td>Freq</td> <td>2.440 546 GHz</td> <td>-22.76 dBm</td> </tr> <tr> <td>2a</td> <td>(1)</td> <td>Freq</td> <td>939 kHz</td> <td>-1.03 dB</td> </tr> </tbody> </table> <p>Center Freq 2.44100000 GHz Start Freq 2.44025000 GHz Stop Freq 2.44175000 GHz CF Step 150.000000 kHz Freq Offset 0.00000000 Hz Signal Track On Off</p> <p>Copyright 2000-2005 Agilent Technologies</p>	Marker	Trace	Type	X Axis	Amplitude	1	(1)	Freq	2.440 992 GHz	-2.87 dBm	2R	(1)	Freq	2.440 546 GHz	-22.76 dBm	2a	(1)	Freq	939 kHz	-1.03 dB
Marker	Trace	Type	X Axis	Amplitude																	
1	(1)	Freq	2.440 992 GHz	-2.87 dBm																	
2R	(1)	Freq	2.440 546 GHz	-22.76 dBm																	
2a	(1)	Freq	939 kHz	-1.03 dB																	
2480	<p>Agilent T Freq/Channel</p> <p>Ref 15.76 dBm Atten 20 dB Mkr2 939 kHz #Peak 0.11 dB</p> <p>Log 10 dB/ Offst 5.76 dB DI -22.7 dBm LgAv</p> <p>Center 2.480 000 GHz Span 1.5 MHz #Res BW 30 kHz #VBW 100 kHz Sweep 1.6 ms (601 pts)</p> <table border="1"> <thead> <tr> <th>Marker</th> <th>Trace</th> <th>Type</th> <th>X Axis</th> <th>Amplitude</th> </tr> </thead> <tbody> <tr> <td>1</td> <td>(1)</td> <td>Freq</td> <td>2.479 982 GHz</td> <td>-2.74 dBm</td> </tr> <tr> <td>2R</td> <td>(1)</td> <td>Freq</td> <td>2.479 543 GHz</td> <td>-23.80 dBm</td> </tr> <tr> <td>2a</td> <td>(1)</td> <td>Freq</td> <td>939 kHz</td> <td>0.11 dB</td> </tr> </tbody> </table> <p>Center Freq 2.48000000 GHz Start Freq 2.47925000 GHz Stop Freq 2.48075000 GHz CF Step 150.000000 kHz Freq Offset 0.00000000 Hz Signal Track On Off</p> <p>Copyright 2000-2005 Agilent Technologies</p>	Marker	Trace	Type	X Axis	Amplitude	1	(1)	Freq	2.479 982 GHz	-2.74 dBm	2R	(1)	Freq	2.479 543 GHz	-23.80 dBm	2a	(1)	Freq	939 kHz	0.11 dB
Marker	Trace	Type	X Axis	Amplitude																	
1	(1)	Freq	2.479 982 GHz	-2.74 dBm																	
2R	(1)	Freq	2.479 543 GHz	-23.80 dBm																	
2a	(1)	Freq	939 kHz	0.11 dB																	

Mode 5: 8DPSK Link Mode

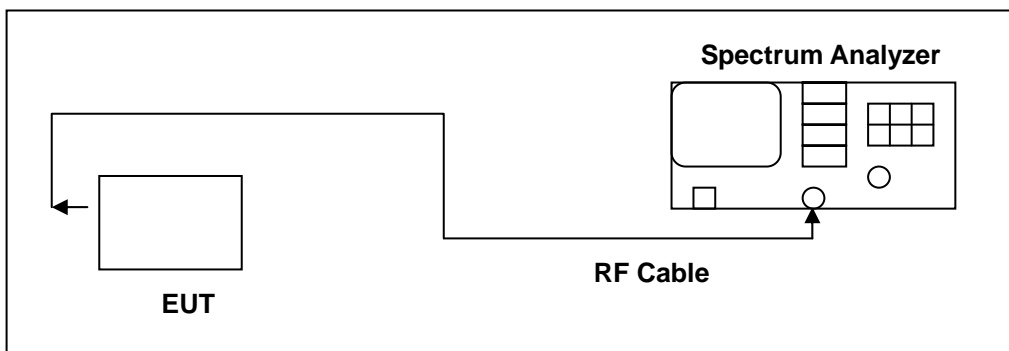
<p>2402</p>	<p>Agilent T</p> <p>Ref 15.76 dBm Atten 20 dB Δ Mkr2 1.312 MHz -0.13 dB</p> <p>#Peak Log 10 dB/Offst 5.76 dB DI -23.5 dBm LgAv</p> <p>Center 2.402 000 GHz Span 1.5 MHz #Res BW 30 kHz #VBW 100 kHz Sweep 1.6 ms (601 pts)</p> <table border="1"> <thead> <tr> <th>Marker</th> <th>Trace</th> <th>Type</th> <th>X Axis</th> <th>Amplitude</th> </tr> </thead> <tbody> <tr> <td>1</td> <td>(1)</td> <td>Freq</td> <td>2.401 987 GHz</td> <td>-3.45 dBm</td> </tr> <tr> <td>2R</td> <td>(1)</td> <td>Freq</td> <td>2.401 343 GHz</td> <td>-24.09 dBm</td> </tr> <tr> <td>2a</td> <td>(1)</td> <td>Freq</td> <td>1.312 MHz</td> <td>-0.13 dB</td> </tr> </tbody> </table> <p>Freq/Channel</p> <p>Center Freq 2.40200000 GHz</p> <p>Start Freq 2.40125000 GHz</p> <p>Stop Freq 2.40275000 GHz</p> <p>CF Step 150.000000 kHz Auto Man</p> <p>Freq Offset 0.00000000 Hz</p> <p>Signal Track On Off</p> <p>Copyright 2000-2005 Agilent Technologies</p>	Marker	Trace	Type	X Axis	Amplitude	1	(1)	Freq	2.401 987 GHz	-3.45 dBm	2R	(1)	Freq	2.401 343 GHz	-24.09 dBm	2a	(1)	Freq	1.312 MHz	-0.13 dB
Marker	Trace	Type	X Axis	Amplitude																	
1	(1)	Freq	2.401 987 GHz	-3.45 dBm																	
2R	(1)	Freq	2.401 343 GHz	-24.09 dBm																	
2a	(1)	Freq	1.312 MHz	-0.13 dB																	
<p>2441</p>	<p>Agilent T</p> <p>Ref 15.76 dBm Atten 20 dB Δ Mkr2 1.316 MHz -0.21 dB</p> <p>#Peak Log 10 dB/Offst 5.76 dB DI -23.5 dBm LgAv</p> <p>Center 2.441 000 GHz Span 1.5 MHz #Res BW 30 kHz #VBW 100 kHz Sweep 1.6 ms (601 pts)</p> <table border="1"> <thead> <tr> <th>Marker</th> <th>Trace</th> <th>Type</th> <th>X Axis</th> <th>Amplitude</th> </tr> </thead> <tbody> <tr> <td>1</td> <td>(1)</td> <td>Freq</td> <td>2.440 990 GHz</td> <td>-3.52 dBm</td> </tr> <tr> <td>2R</td> <td>(1)</td> <td>Freq</td> <td>2.440 343 GHz</td> <td>-24.01 dBm</td> </tr> <tr> <td>2a</td> <td>(1)</td> <td>Freq</td> <td>1.316 MHz</td> <td>-0.21 dB</td> </tr> </tbody> </table> <p>Freq/Channel</p> <p>Center Freq 2.44100000 GHz</p> <p>Start Freq 2.44025000 GHz</p> <p>Stop Freq 2.44175000 GHz</p> <p>CF Step 150.000000 kHz Auto Man</p> <p>Freq Offset 0.00000000 Hz</p> <p>Signal Track On Off</p> <p>Copyright 2000-2005 Agilent Technologies</p>	Marker	Trace	Type	X Axis	Amplitude	1	(1)	Freq	2.440 990 GHz	-3.52 dBm	2R	(1)	Freq	2.440 343 GHz	-24.01 dBm	2a	(1)	Freq	1.316 MHz	-0.21 dB
Marker	Trace	Type	X Axis	Amplitude																	
1	(1)	Freq	2.440 990 GHz	-3.52 dBm																	
2R	(1)	Freq	2.440 343 GHz	-24.01 dBm																	
2a	(1)	Freq	1.316 MHz	-0.21 dB																	
<p>2480</p>	<p>Agilent T</p> <p>Ref 15.76 dBm Atten 20 dB Δ Mkr2 1.319 MHz 0.28 dB</p> <p>#Peak Log 10 dB/Offst 5.76 dB DI -23.5 dBm LgAv</p> <p>Center 2.480 000 GHz Span 1.5 MHz #Res BW 30 kHz #VBW 100 kHz Sweep 1.6 ms (601 pts)</p> <table border="1"> <thead> <tr> <th>Marker</th> <th>Trace</th> <th>Type</th> <th>X Axis</th> <th>Amplitude</th> </tr> </thead> <tbody> <tr> <td>1</td> <td>(1)</td> <td>Freq</td> <td>2.479 985 GHz</td> <td>-3.47 dBm</td> </tr> <tr> <td>2R</td> <td>(1)</td> <td>Freq</td> <td>2.479 340 GHz</td> <td>-24.54 dBm</td> </tr> <tr> <td>2a</td> <td>(1)</td> <td>Freq</td> <td>1.319 MHz</td> <td>0.28 dB</td> </tr> </tbody> </table> <p>Freq/Channel</p> <p>Center Freq 2.48000000 GHz</p> <p>Start Freq 2.47925000 GHz</p> <p>Stop Freq 2.48075000 GHz</p> <p>CF Step 150.000000 kHz Auto Man</p> <p>Freq Offset 0.00000000 Hz</p> <p>Signal Track On Off</p> <p>Copyright 2000-2005 Agilent Technologies</p>	Marker	Trace	Type	X Axis	Amplitude	1	(1)	Freq	2.479 985 GHz	-3.47 dBm	2R	(1)	Freq	2.479 340 GHz	-24.54 dBm	2a	(1)	Freq	1.319 MHz	0.28 dB
Marker	Trace	Type	X Axis	Amplitude																	
1	(1)	Freq	2.479 985 GHz	-3.47 dBm																	
2R	(1)	Freq	2.479 340 GHz	-24.54 dBm																	
2a	(1)	Freq	1.319 MHz	0.28 dB																	

8 Carrier Frequency Separation Measurement

8.1. Limit

Title 47 of the CFR, Part 15 Subpart (c) 15.247(a)(1)(i) requires the measurement of the bandwidth of the transmission between the -20 dB points on the transmitted spectrum. The results of this test determine the limits for channel spacing. The channel spacing shall be a minimum of 25 kHz or the 20 dB bandwidth.

8.2. Test Setup



8.3. Test Instruments

Equipment	Manufacturer	Model Number	Serial Number	Cal. Date	Remark
Spectrum Analyzer	Agilent	E4445A	MY46181986	05/16/2011	(1)
Test Site	ATL	TE02	TE02	N.C.R.	-----

Remark: (1) Calibration period 1 year. (2) Calibration period 2 years.

NOTE: N.C.R. = No Calibration Request.

8.4. Test Procedure

The RF output port of the Equipment-Under-Test is directly coupled to the input of the EMC analyzer through a specialized RF connector and a 10dB passive attenuator. A fully charged battery was used for the supply voltage. The Bluetooth transmitter of the V6 had its hopping function enabled. The following spectrum analyzer settings were used:

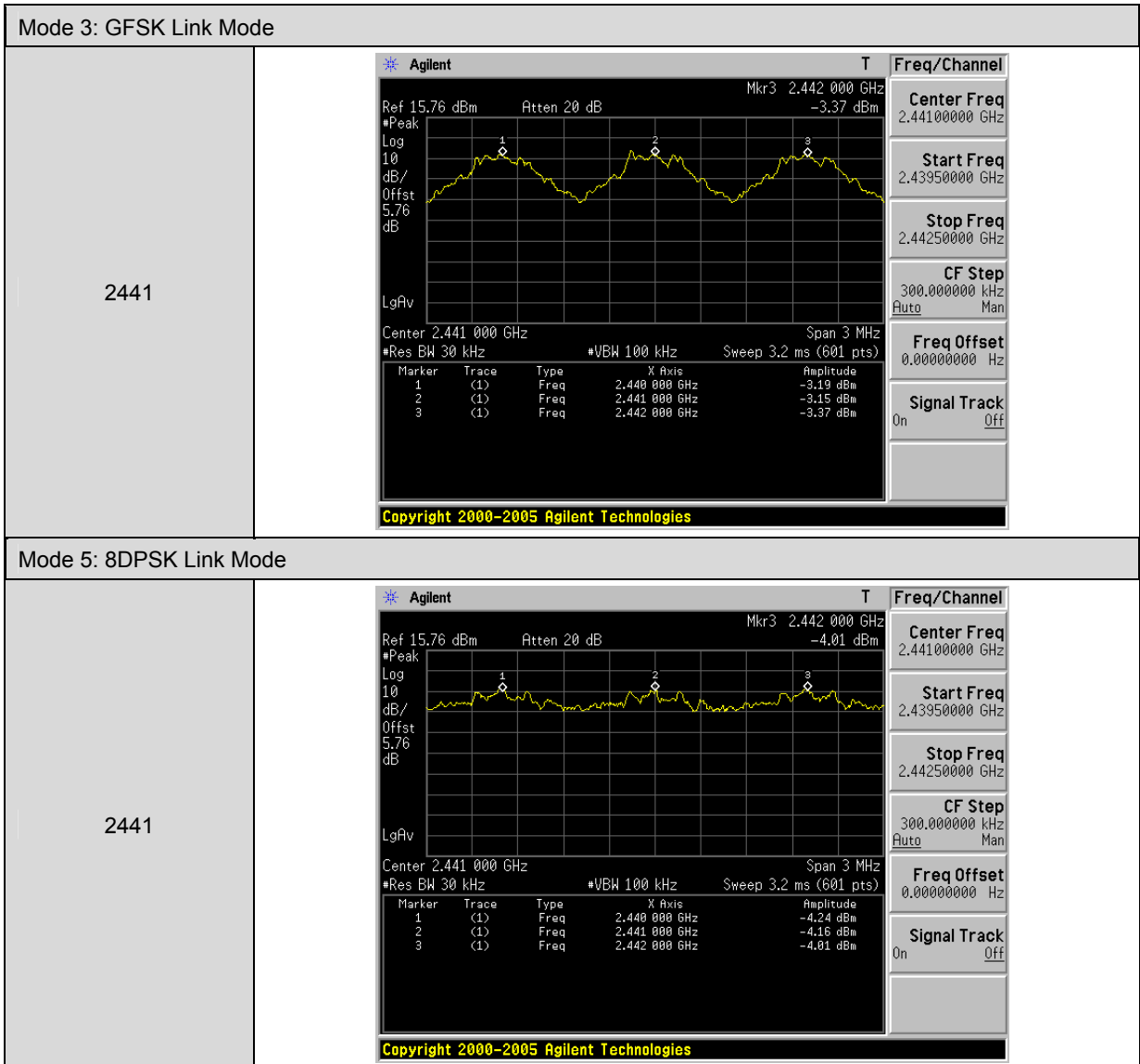
1. Span = wide enough to capture the peaks of two adjacent channels
2. Resolution (or IF) Bandwidth (RBW) \geq 1% of the span
3. Video (or Average) Bandwidth (VBW) \geq RBW
4. Sweep = auto
5. Detector function = peak
6. Trace = max hold

The trace was allowed to stabilize. The marker-delta function was used to determine the separation between the peaks of the adjacent channels.

8.5. Test Result

Model Number	PH85110		
Test Item	Carrier Frequency Separation		
Test Mode	Mode 3: GFSK Link Mode		
Date of Test	07/13/2011	Test Site	TE02
Frequency (MHz)	Measurement (MHz)		Limit (MHz)
2441	1		>0.626

Model Number	PH85110		
Test Item	Carrier Frequency Separation		
Test Mode	Mode 5: 8DPSK Link Mode		
Date of Test	07/13/2011	Test Site	TE02
Frequency (MHz)	Measurement (MHz)		Limit (MHz)
2441	1		>0.879

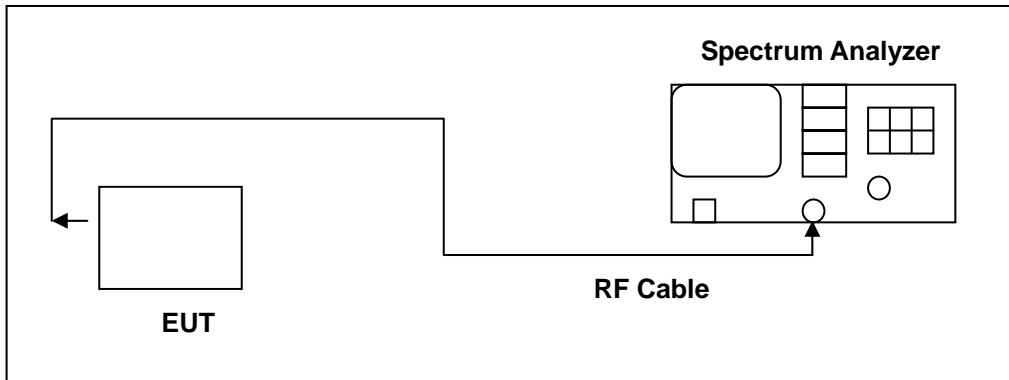
8.6. Test Graphs


9 Number of Hopping Measurement

9.1. Limit

Frequency hopping systems in the 2400–2483.5 MHz band shall use at least 15 channels.

9.2. Test Setup



9.3. Test Instruments

Equipment	Manufacturer	Model Number	Serial Number	Cal. Date	Remark
Spectrum Analyzer	Agilent	E4445A	MY46181986	05/16/2011	(1)
Test Site	ATL	TE02	TE02	N.C.R.	-----

Remark: (1) Calibration period 1 year. (2) Calibration period 2 years.

NOTE: N.C.R. = No Calibration Request.

9.4. Test Procedure

The RF output port of the Equipment-Under-Test is directly coupled to the input of the EMC analyzer through a specialized RF connector and a 10dB passive attenuator. A fully charged battery was used for the supply voltage. The Bluetooth frequency hopping function of the EUT was enabled. The spectrum analyzer used the following settings:

1. Span = the frequency band of operation
2. RBW \geq 1% of the span
3. VBW \geq RBW
4. Sweep = auto
5. Detector function = peak
6. Trace = max hold

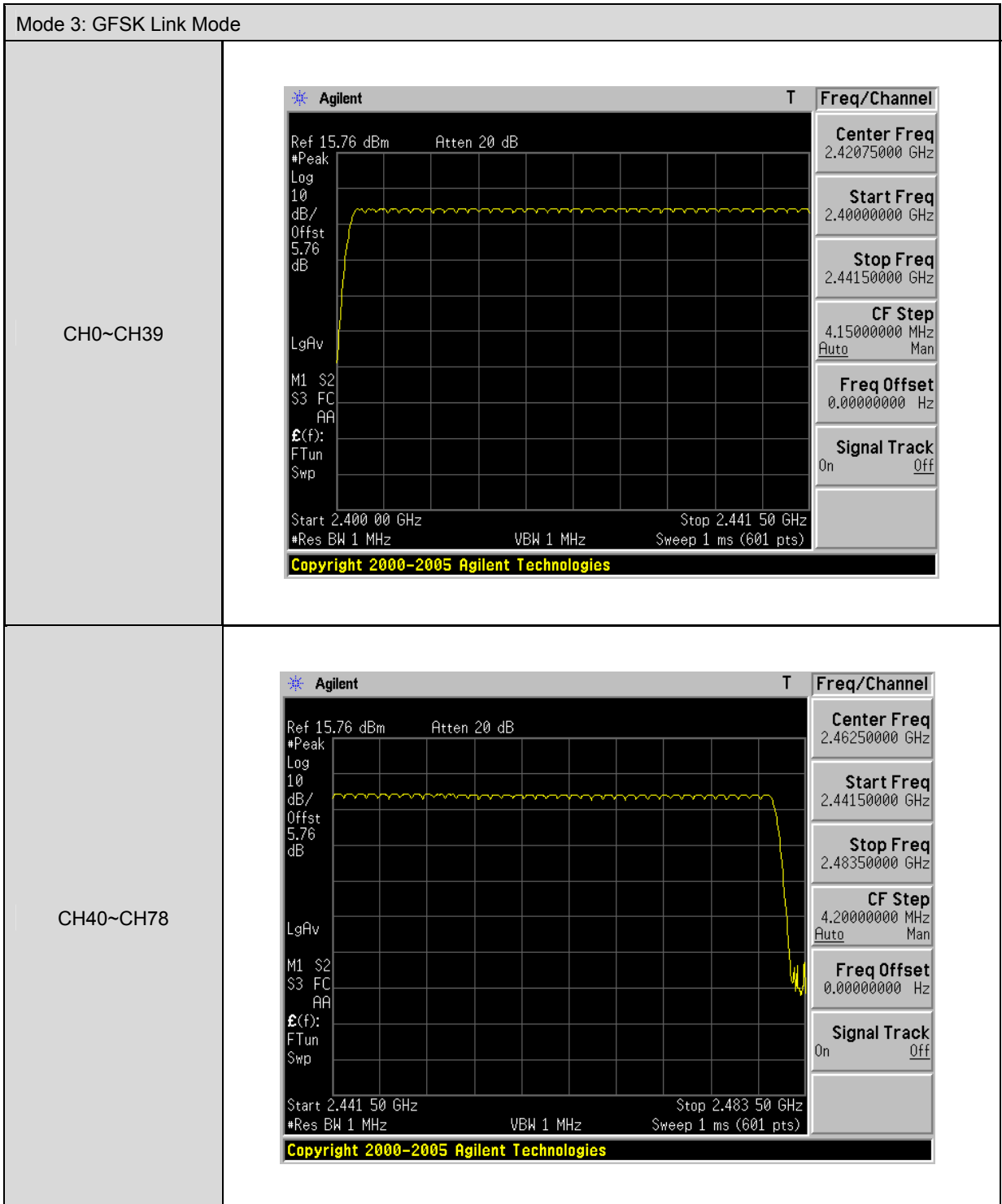
The trace was allowed to stabilize.

9.5. Test Result

Model Number	PH85110		
Test Item	Number of Hopping		
Test Mode	Mode 3: GFSK Link Mode		
Date of Test	07/13/2011	Test Site	TE02
Frequency Range (MHz)	Measurement (ch)		Limit (ch)
2402 - 2480	79		> 15

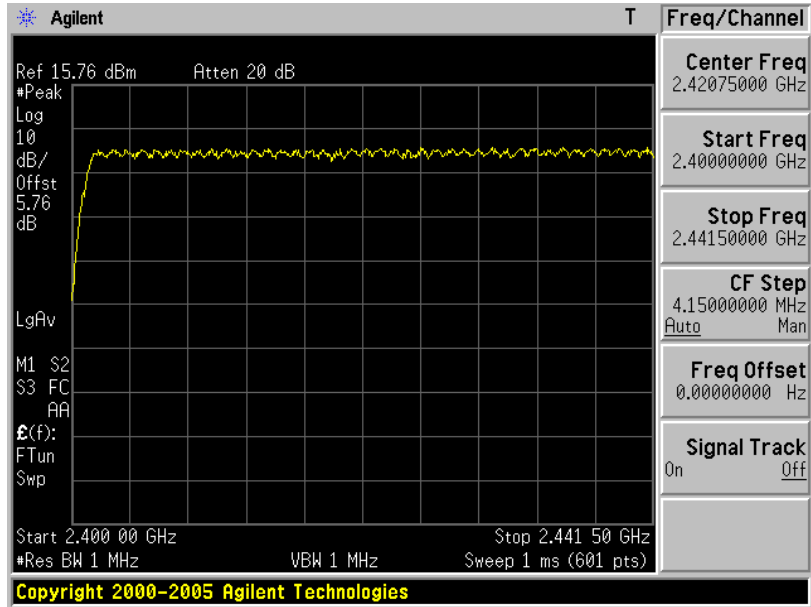
Model Number	PH85110		
Test Item	Number of Hopping		
Test Mode	Mode 5: 8DPSK Link Mode		
Date of Test	07/13/2011	Test Site	TE02
Frequency Range (MHz)	Measurement (ch)		Limit (ch)
2402 - 2480	79		> 15

9.6. Test Graphs

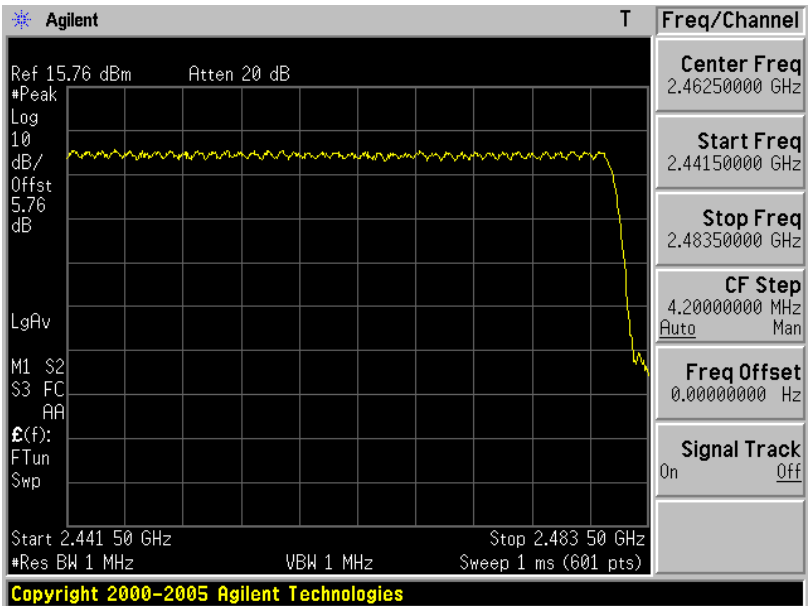


Mode 5:8DPSK Link Mode

CH0~CH39



CH40~CH78

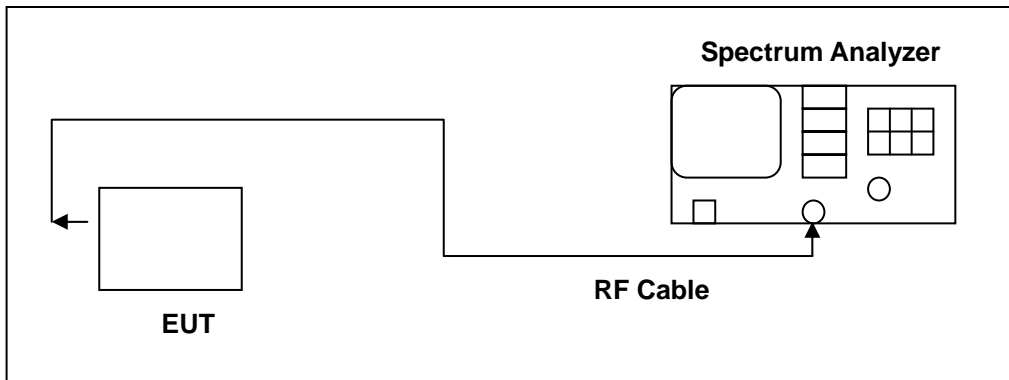


10 Time of Occupancy (Dwell Time) Measurement

10.1.Limit

The average time of occupancy on any channel shall not be greater than 0.4 seconds within a period of 0.4 seconds multiplied by the number of hopping channels employed.

10.2.Test Setup



10.3.Test Instruments

Equipment	Manufacturer	Model Number	Serial Number	Cal. Date	Remark
Spectrum Analyzer	Agilent	E4445A	MY46181986	05/16/2011	(1)
Test Site	ATL	TE02	TE02	N.C.R.	-----

Remark: (1) Calibration period 1 year. (2) Calibration period 2 years.

NOTE: N.C.R. = No Calibration Request.

10.4.Test Procedure

The RF output port of the Equipment-Under-Test is directly coupled to the input of the EMC analyzer through a specialized RF connector and a 10dB passive attenuator. A fully charged battery was used for the supply voltage. The Bluetooth hopping function of the EUT was enabled. The following spectrum analyzer settings were used:

1. Span = zero span, centered on a hopping channel
2. RBW = 1 MHz
3. VBW \geq RBW
4. Sweep = as necessary to capture the entire dwell time per hopping channel
5. Detector function = peak
6. Trace = max hold

The marker-delta function was used to determine the dwell time.

10.5.Test Result

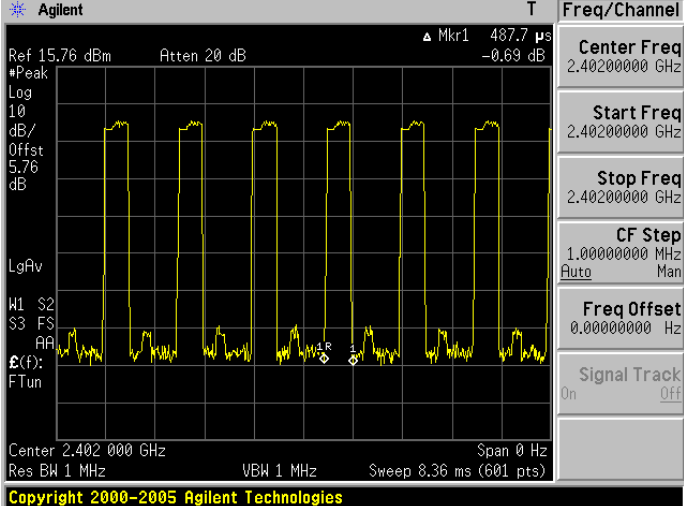
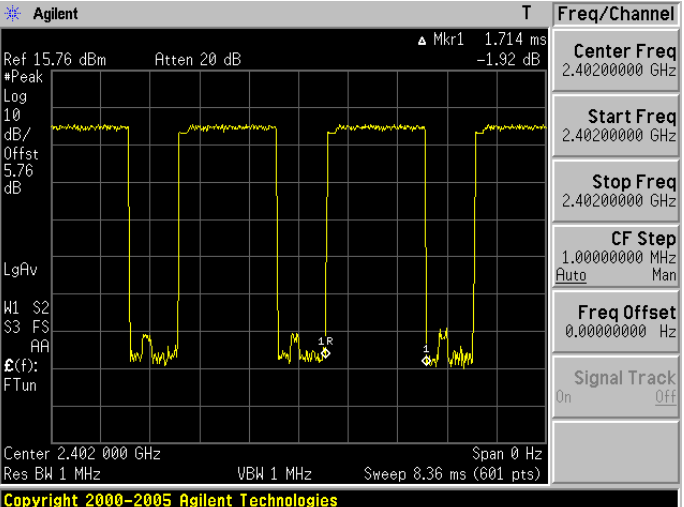
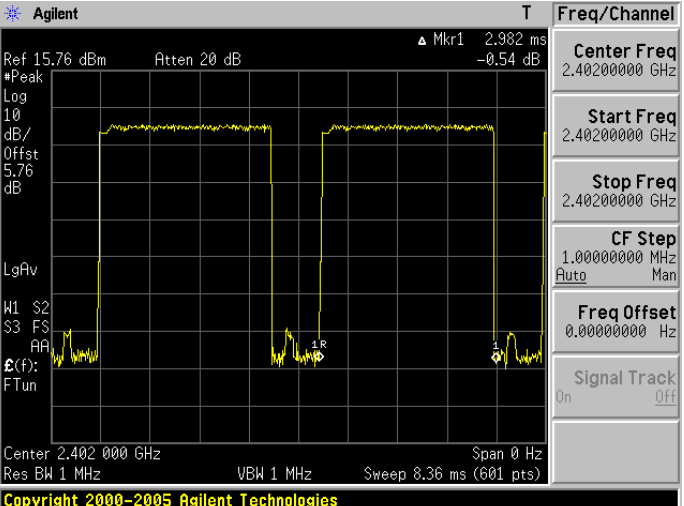
Model Number	PH85110		
Test Item	Time of Occupancy (Dwell Time)		
Test Mode	Mode 3: GFSK Link Mode		
Date of Test	07/13/2011	Test Site	TE02
DH1			
Cycle Calculate	79CH * 0.4 = 31.6 (sec)		
The EUT Hopping Number per Sec	1600 times/sec		
Each Channel Dwell Times per Sec	800/79CH = 10.13(times/sec)		
Each Channel Dwell Times (1)	0.460	ms (sec)	
Each Channel Dwell Times on Cycle(2)	31.6 * 10.13 = 320.108(times)		
Dwell Times on Cycle (1) * (2)	147.2497	ms (sec)	
LIMIT(msec)	< = 400		
DH3			
Cycle Calculate	79CH * 0.4 = 31.6 (sec)		
The EUT Hopping Number per Sec	1600 times/sec		
Each Channel Dwell Times per Sec	400/79CH = 5.1(times/sec)		
Each Channel Dwell Times (1)	1.700	ms (sec)	
Each Channel Dwell Times on Cycle(2)	31.6 * 5.1 = 161.16(times)		
Dwell Times on Cycle (1) * (2)	271.8232	ms (sec)	
LIMIT(msec)	< = 400		
DH5			
Cycle Calculate	79CH * 0.4 = 31.6 (sec)		
The EUT Hopping Number per Sec	1600 times/sec		
Each Channel Dwell Times per Sec	266.7/79CH = 3.37(times/sec)		
Each Channel Dwell Times (1)	2.954	ms (sec)	
Each Channel Dwell Times on Cycle(2)	31.6 * 3.37 = 106.492(times)		
Dwell Times on Cycle (1) * (2)	315.5108	ms (sec)	
LIMIT(msec)	< = 400		

Model Number	PH85110		
Test Item	Time of Occupancy (Dwell Time)		
Test Mode	Mode 5: 8DPSK Link Mode		
Date of Test	07/13/2011	Test Site	TE02
3DH1			
Cycle Calculate	$79\text{CH} * 0.4 = 31.6 \text{ (sec)}$		
The EUT Hopping Number per Sec	1600 times/sec		
Each Channel Dwell Times per Sec	$800/79\text{CH} = 10.13(\text{times/sec})$		
Each Channel Dwell Times (1)	0.488	ms (sec)	
Each Channel Dwell Times on Cycle(2)	$31.6 * 10.13 = 320.108(\text{times})$		
Dwell Times on Cycle (1) * (2)	156.2127	ms (sec)	
LIMIT(msec)	< = 400		
3DH3			
Cycle Calculate	$79\text{CH} * 0.4 = 31.6 \text{ (sec)}$		
The EUT Hopping Number per Sec	1600 times/sec		
Each Channel Dwell Times per Sec	$400/79\text{CH} = 5.1(\text{times/sec})$		
Each Channel Dwell Times (1)	1.714	ms (sec)	
Each Channel Dwell Times on Cycle(2)	$31.6 * 5.1 = 161.16(\text{times})$		
Dwell Times on Cycle (1) * (2)	274.0617	ms (sec)	
LIMIT(msec)	< = 400		
3DH5			
Cycle Calculate	$79\text{CH} * 0.4 = 31.6 \text{ (sec)}$		
The EUT Hopping Number per Sec	1600 times/sec		
Each Channel Dwell Times per Sec	$266.7/79\text{CH} = 3.37(\text{times/sec})$		
Each Channel Dwell Times (1)	2.982	ms (sec)	
Each Channel Dwell Times on Cycle(2)	$31.6 * 3.37 = 106.492(\text{times})$		
Dwell Times on Cycle (1) * (2)	318.5015	ms (sec)	
LIMIT(msec)	< = 400		

10.6. Test Graphs

Mode 3: GFSK Link Mode	
DH1	<p>Agilent R T Freq/Channel Ref 15.76 dBm Atten 20 dB Δ Mkr1 459.8 μs #Peak -1.52 dB Log 10 dB/ Offst 5.76 dB LgAv W1 S2 S3 FS AA E(f): FTun Center 2.402 000 GHz Span 0 Hz Res BW 1 MHz VBW 1 MHz Sweep 8.36 ms (601 pts) Copyright 2000-2005 Agilent Technologies</p> <p>Center Freq 2.40200000 GHz Start Freq 2.40200000 GHz Stop Freq 2.40200000 GHz CF Step 1.00000000 MHz Auto Man Freq Offset 0.00000000 Hz Signal Track On Off</p>
DH3	<p>Agilent T Freq/Channel Ref 15.76 dBm Atten 20 dB Δ Mkr1 1.7 ms #Peak 0.18 dB Log 10 dB/ Offst 5.76 dB LgAv W1 S2 S3 FS AA E(f): FTun Center 2.402 000 GHz Span 0 Hz Res BW 1 MHz VBW 1 MHz Sweep 8.36 ms (601 pts) Copyright 2000-2005 Agilent Technologies</p> <p>Center Freq 2.40200000 GHz Start Freq 2.40200000 GHz Stop Freq 2.40200000 GHz CF Step 1.00000000 MHz Auto Man Freq Offset 0.00000000 Hz Signal Track On Off</p>
DH5	<p>Agilent T Freq/Channel Ref 15.76 dBm Atten 20 dB Δ Mkr1 2.354 ms #Peak -1.77 dB Log 10 dB/ Offst 5.76 dB LgAv W1 S2 S3 FS AA E(f): FTun Center 2.402 000 GHz Span 0 Hz Res BW 1 MHz VBW 1 MHz Sweep 8.36 ms (601 pts) Copyright 2000-2005 Agilent Technologies</p> <p>Center Freq 2.40200000 GHz Start Freq 2.40200000 GHz Stop Freq 2.40200000 GHz CF Step 1.00000000 MHz Auto Man Freq Offset 0.00000000 Hz Signal Track On Off</p>

Mode 5: 8DPSK Link Mode

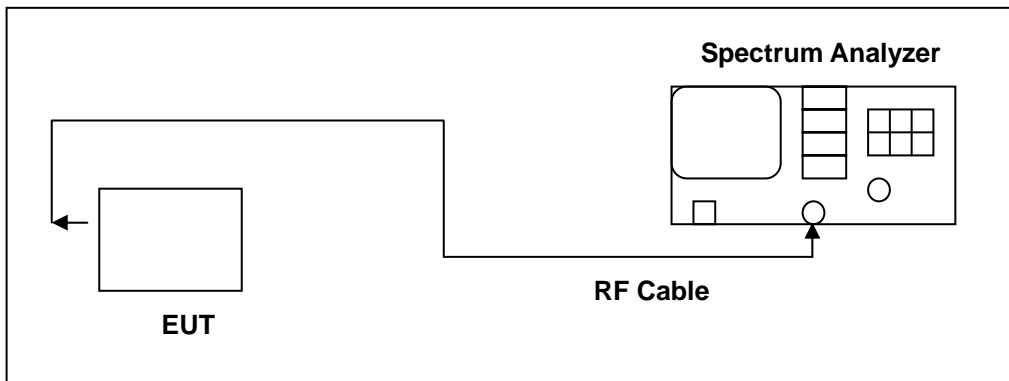
<p>3DH1</p>	 <p>Agilent T</p> <p>Ref 15.76 dBm Atten 20 dB Δ Mkr1 487.7 μs -0.69 dB</p> <p>#Peak</p> <p>Log</p> <p>10</p> <p>dB/</p> <p>Offst</p> <p>5.76</p> <p>dB</p> <p>LgAv</p> <p>W1 S2</p> <p>S3 FS</p> <p>AA</p> <p>ƒ(f):</p> <p>FTun</p> <p>Center 2.402 000 GHz Span 0 Hz</p> <p>Res BW 1 MHz VBW 1 MHz Sweep 8.36 ms (601 pts)</p> <p>Copyright 2000–2005 Agilent Technologies</p> <p>Freq/Channel</p> <p>Center Freq 2.40200000 GHz</p> <p>Start Freq 2.40200000 GHz</p> <p>Stop Freq 2.40200000 GHz</p> <p>CF Step 1.00000000 MHz Auto Man</p> <p>Freq Offset 0.00000000 Hz</p> <p>Signal Track On Off</p>
<p>3DH3</p>	 <p>Agilent T</p> <p>Ref 15.76 dBm Atten 20 dB Δ Mkr1 1.714 ms -1.92 dB</p> <p>#Peak</p> <p>Log</p> <p>10</p> <p>dB/</p> <p>Offst</p> <p>5.76</p> <p>dB</p> <p>LgAv</p> <p>W1 S2</p> <p>S3 FS</p> <p>AA</p> <p>ƒ(f):</p> <p>FTun</p> <p>Center 2.402 000 GHz Span 0 Hz</p> <p>Res BW 1 MHz VBW 1 MHz Sweep 8.36 ms (601 pts)</p> <p>Copyright 2000–2005 Agilent Technologies</p> <p>Freq/Channel</p> <p>Center Freq 2.40200000 GHz</p> <p>Start Freq 2.40200000 GHz</p> <p>Stop Freq 2.40200000 GHz</p> <p>CF Step 1.00000000 MHz Auto Man</p> <p>Freq Offset 0.00000000 Hz</p> <p>Signal Track On Off</p>
<p>3DH5</p>	 <p>Agilent T</p> <p>Ref 15.76 dBm Atten 20 dB Δ Mkr1 2.982 ms -0.54 dB</p> <p>#Peak</p> <p>Log</p> <p>10</p> <p>dB/</p> <p>Offst</p> <p>5.76</p> <p>dB</p> <p>LgAv</p> <p>W1 S2</p> <p>S3 FS</p> <p>AA</p> <p>ƒ(f):</p> <p>FTun</p> <p>Center 2.402 000 GHz Span 0 Hz</p> <p>Res BW 1 MHz VBW 1 MHz Sweep 8.36 ms (601 pts)</p> <p>Copyright 2000–2005 Agilent Technologies</p> <p>Freq/Channel</p> <p>Center Freq 2.40200000 GHz</p> <p>Start Freq 2.40200000 GHz</p> <p>Stop Freq 2.40200000 GHz</p> <p>CF Step 1.00000000 MHz Auto Man</p> <p>Freq Offset 0.00000000 Hz</p> <p>Signal Track On Off</p>

11 Out of Band Conducted Emissions Measurement

11.1.Limit

In any 100 kHz bandwidth outside the frequency band in which the spread spectrum or digitally modulated intentional radiator is operating, the radio frequency power that is produced by the intentional radiator shall be at least 20 dB below that in the 100 kHz bandwidth within the band that contains the highest level of the desired power

11.2.Test Setup



11.3.Test Instruments

Equipment	Manufacturer	Model Number	Serial Number	Cal. Date	Remark
Spectrum Analyzer	Agilent	E4445A	MY46181986	05/16/2011	(1)
Test Site	ATL	TE02	TE02	N.C.R.	-----

Remark: (1) Calibration period 1 year. (2) Calibration period 2 years.

NOTE: N.C.R. = No Calibration Request.

11.4.Test Procedure

In any 100 kHz bandwidth outside the EUT pass band, the RF power produced by the modulation products of the spreading sequence, the information sequence, and the carrier frequency shall be at least 20 dB below that of the maximum in-band 100 kHz emission, antenna output of the EUT was coupled directly to spectrum analyzer; if an external attenuator and/or cable was used, these losses are compensated for with the analyzer OFFSET function.

All other types of emissions from the EUT shall meet the general limits for radiated frequencies outside the pass band. The test was performed at 3 channels (Channel 0, 39, 78)

11.5. Test Graphs

Mode 3: GFSK Link Mode	
2402	
2441	
2480	

Mode 5: 8DPSK Link Mode

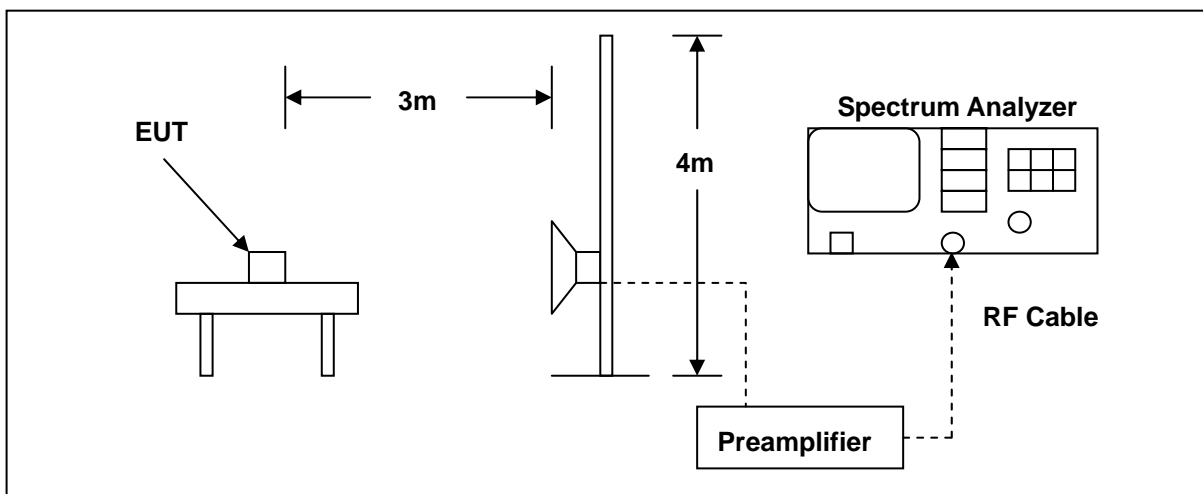
<p>2402</p>	<p>Agilent 16:24:40 Jul 13, 2011 R T</p> <p>Ref 15.76 dBm Atten 20 dB Mkr1 2.40 GHz -2.553 dBm</p> <p>Peak Log 10 dB/ Offst 5.76 dB DI -22.6 dBm</p> <p>V1 S2 S3 FC AA</p> <p>Start 30 MHz Stop 26.5 GHz #Res BW 100 kHz #VBW 100 kHz Sweep 3.41 s (401 pts)</p> <p>Freq/Channel Center Freq 13.2650000 GHz Start Freq 30.0000000 MHz Stop Freq 26.5000000 GHz CF Step 2.64700000 GHz Auto Man Freq Offset 0.00000000 Hz Signal Track On Off</p>
<p>2441</p>	<p>Agilent 16:23:37 Jul 13, 2011 R T</p> <p>Ref 15.76 dBm Atten 20 dB Mkr1 2.44 GHz -1.359 dBm</p> <p>Peak Log 10 dB/ Offst 5.76 dB DI -21.4 dBm</p> <p>V1 S2 S3 FC AA</p> <p>Start 30 MHz Stop 26.5 GHz #Res BW 100 kHz #VBW 100 kHz Sweep 3.41 s (401 pts)</p> <p>Freq/Channel Center Freq 13.2650000 GHz Start Freq 30.0000000 MHz Stop Freq 26.5000000 GHz CF Step 2.64700000 GHz Auto Man Freq Offset 0.00000000 Hz Signal Track On Off</p>
<p>2480</p>	<p>Agilent 16:22:17 Jul 13, 2011 R T</p> <p>Ref 15.76 dBm Atten 20 dB Mkr1 2.48 GHz -1.888 dBm</p> <p>Peak Log 10 dB/ Offst 5.76 dB DI -21.9 dBm</p> <p>V1 S2 S3 FC AA</p> <p>Start 30 MHz Stop 26.5 GHz #Res BW 100 kHz #VBW 100 kHz Sweep 3.41 s (401 pts)</p> <p>Freq/Channel Center Freq 13.2650000 GHz Start Freq 30.0000000 MHz Stop Freq 26.5000000 GHz CF Step 2.64700000 GHz Auto Man Freq Offset 0.00000000 Hz Signal Track On Off</p>

12 Band Edges Measurement

12.1.Limit

In any 100 kHz bandwidth outside the frequency band in which the spread spectrum or digitally modulated intentional radiator is operating, the radio frequency power that is produced by the intentional radiator shall be at least 20 dB below that in the 100 kHz bandwidth within the band that contains the highest level of the desired power

12.2.Test Setup



12.3.Test Instruments

Equipment	Manufacturer	Model Number	Serial Number	Cal. Date	Remark
Spectrum Analyzer	Agilent	E4408B	MY45107753	07/07/2010	(1)
Pre Amplifier	Agilent	8449B	3008A02237	02/23/2011	(1)
Horn Antenna	SCHWARZBECK MESS-ELEKTRONIK	9120D	9120D-550	06/29/2011	(1)
Test Site	ATL	TE01	TE01	N.C.R.	-----

Remark: (1) Calibration period 1 year. (2) Calibration period 2 years.

NOTE: N.C.R. = No Calibration Request.

12.4. Test Procedure

The emissions on the harmonics frequencies, the limits, and the margin of compliance are presented. These tests were made when the transmitter was in full radiated power. The additional test was performed to show compliance with the requirement at the band-edge frequency 2483.5 MHz and up to 2500 MHz and at 2390.0 MHz.

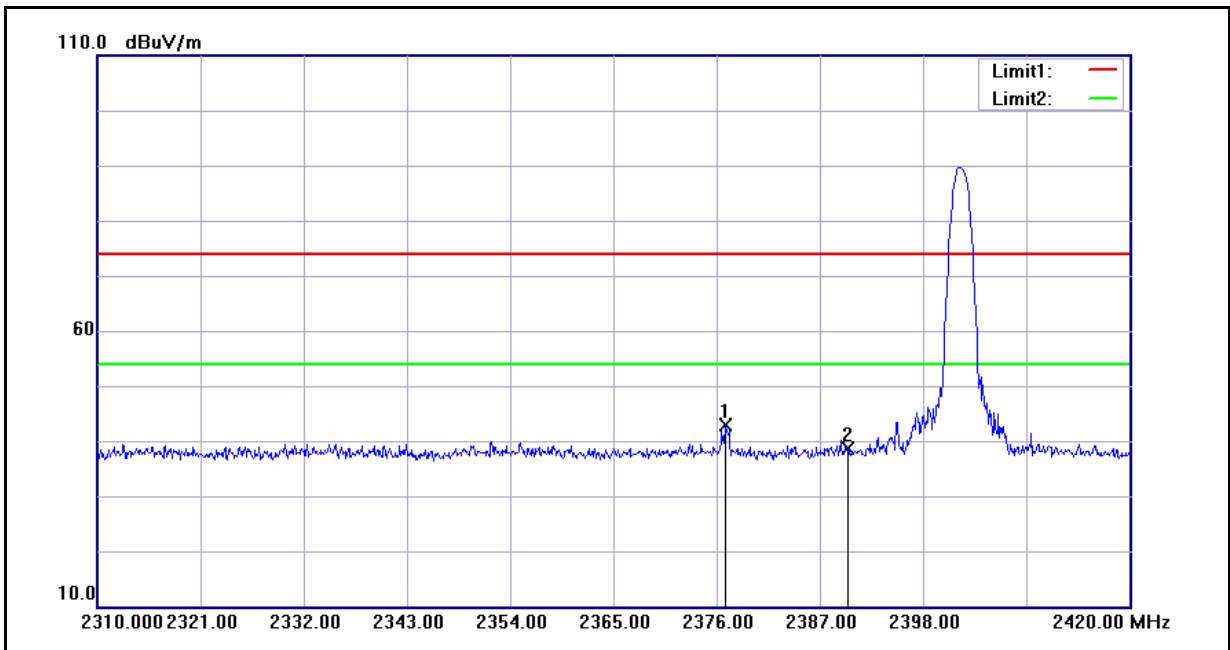
The transmitter was configured with the worst case antenna and setup to transmit at the highest channel. Then the field strength was measured at 2483.5 MHz.

The transmitter was then configured with the worst case antenna and setup to transmit at the lowest channel. Then the field strength was measured at 2390.0 MHz. These tests were performed at 4 different bit rates.

For measurements the resolution bandwidth is set to 1 MHz, and then the video bandwidth is set to 1 MHz for peak measurements and 10 Hz for average measurements.

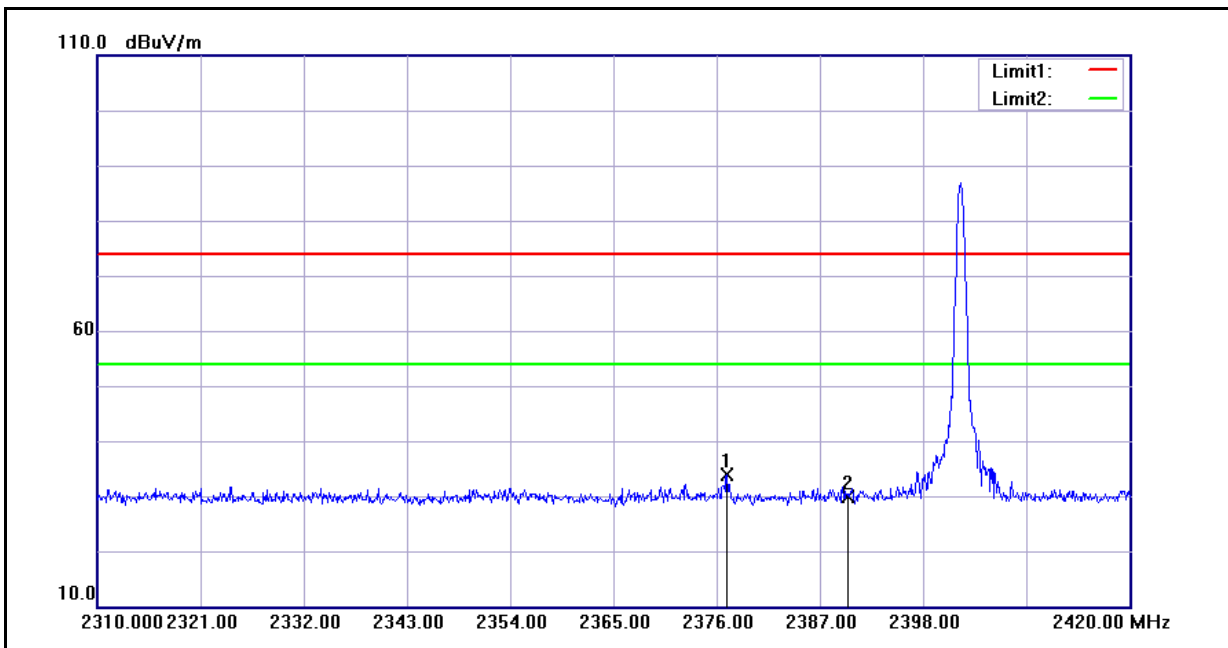
12.5.Test Result

Standard:	FCC Part 15C	Test Distance:	3m
Test item:	Radiated Emission	Power:	AC 120V/60Hz
Model Number:	PH85110	Temp.(°C)/Hum.(%RH):	26(°C)/60%RH
Mode:	Mode 3	Date:	07/05/2011
Frequency:	2402 MHz	Test By:	Gary Wu
Ant.Polar.:	Horizontal		



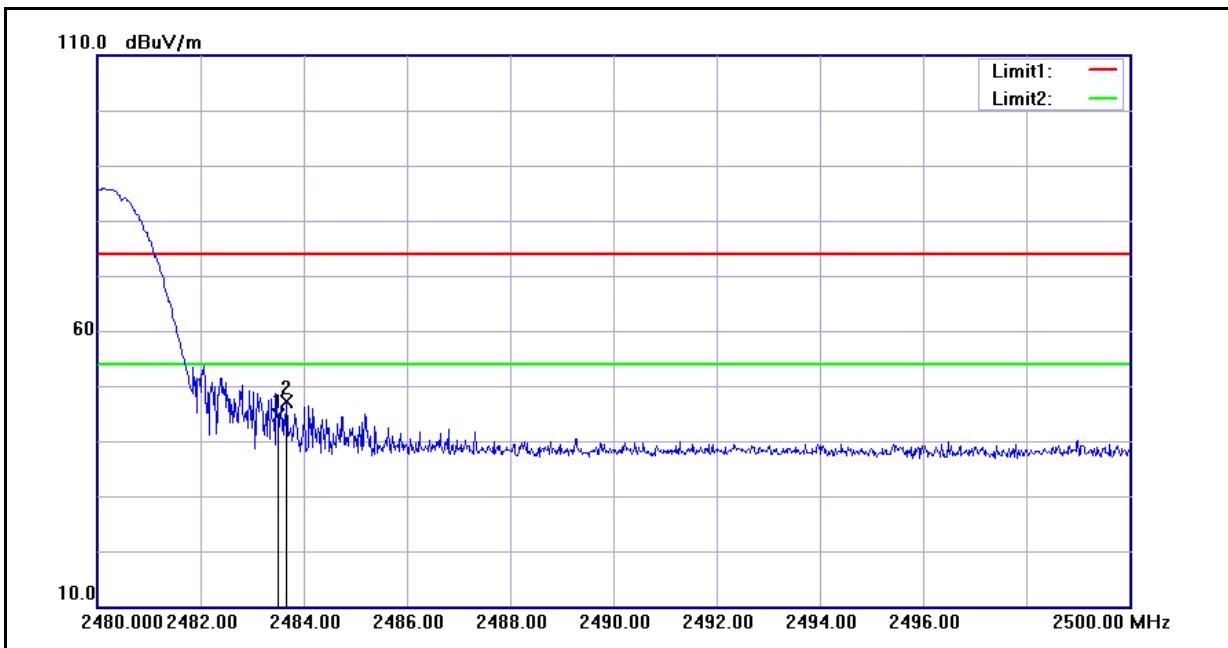
No.	Frequency (MHz)	Reading (dBuV)	Correct Factor(dB/m)	Result (dBuV/m)	Limit (dBuV/m)	Margin (dB)	Remark
1	2376.880	43.11	-0.27	42.84	74.00	-31.16	peak
2	2390.000	38.73	-0.22	38.51	74.00	-35.49	peak

Standard:	FCC Part 15C	Test Distance:	3m
Test item:	Radiated Emission	Power:	AC 120V/60Hz
Model Number:	PH85110	Temp.(°C)/Hum.(%RH):	26(°C)/60%RH
Mode:	Mode 3	Date:	07/05/2011
Frequency:	2402 MHz	Test By:	Gary Wu
Ant.Polar.:	Vertical		



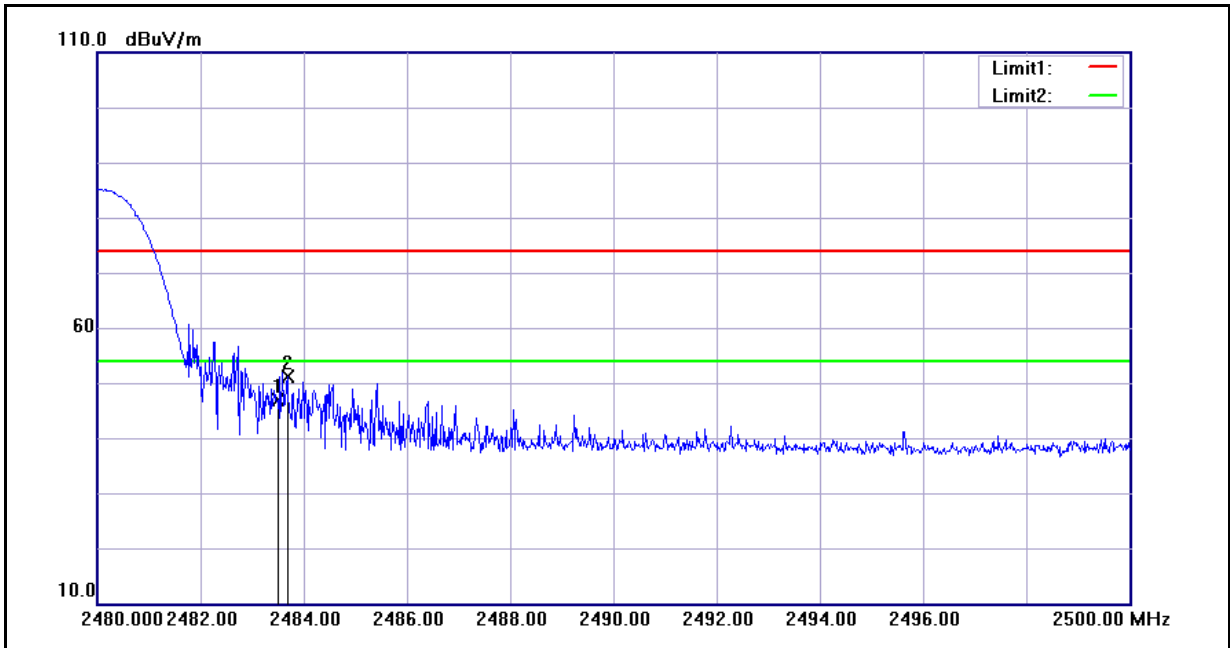
No.	Frequency (MHz)	Reading (dBuV)	Correct Factor(dB/m)	Result (dBuV/m)	Limit (dBuV/m)	Margin (dB)	Remark
1	2377.100	34.04	-0.27	33.77	74.00	-40.23	peak
2	2390.000	30.11	-0.22	29.89	74.00	-44.11	peak

Standard:	FCC Part 15C	Test Distance:	3m
Test item:	Radiated Emission	Power:	AC 120V/60Hz
Model Number:	PH85110	Temp.(°C)/Hum.(%RH):	26(°C)/60%RH
Mode:	Mode 3	Date:	07/05/2011
Frequency:	2480 MHz	Test By:	Gary Wu
Ant.Polar.:	Horizontal		



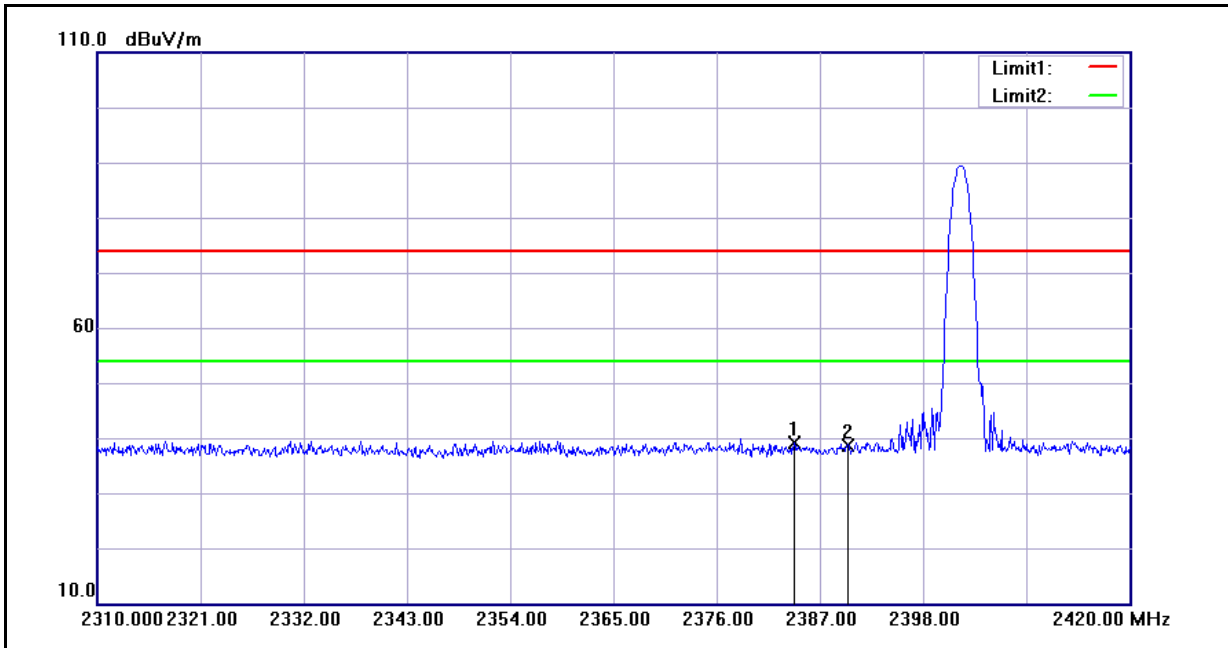
No.	Frequency (MHz)	Reading (dBuV)	Correct Factor(dB/m)	Result (dBuV/m)	Limit (dBuV/m)	Margin (dB)	Remark
1	2483.500	44.38	0.16	44.54	74.00	-29.46	peak
2	2483.660	46.99	0.16	47.15	74.00	-26.85	peak

Standard:	FCC Part 15C	Test Distance:	3m
Test item:	Radiated Emission	Power:	AC 120V/60Hz
Model Number:	PH85110	Temp.(°C)/Hum.(%RH):	26(°C)/60%RH
Mode:	Mode 3	Date:	07/05/2011
Frequency:	2480 MHz	Test By:	Gary Wu
Ant.Polar.:	Vertical		



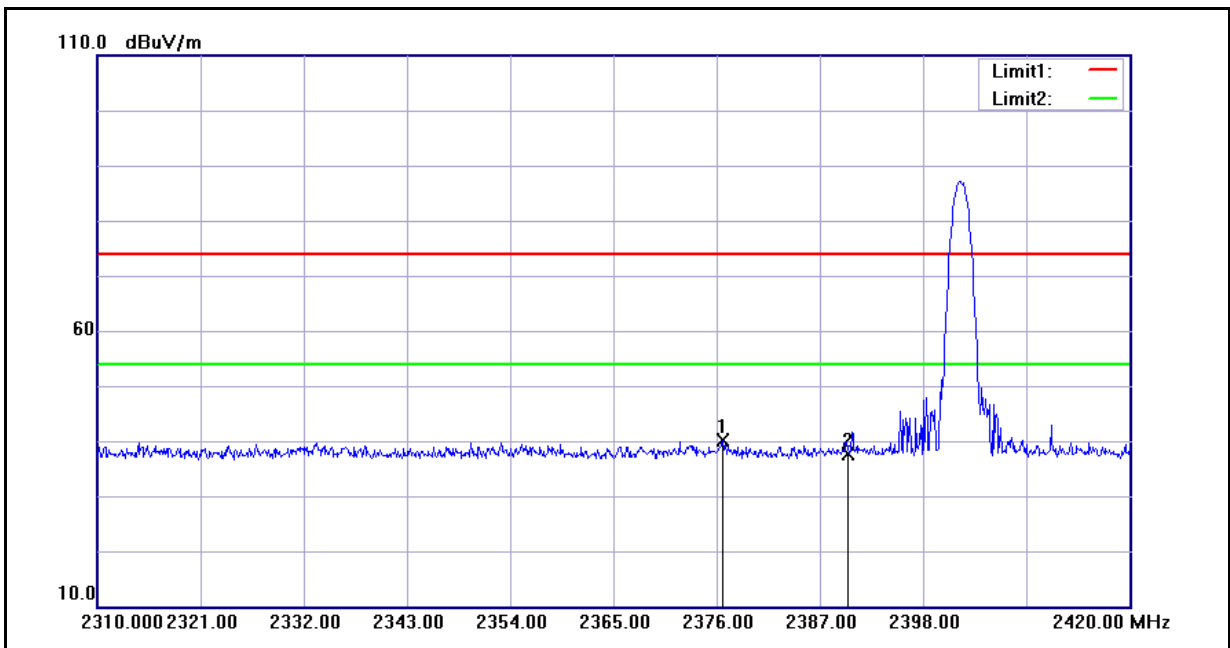
No.	Frequency (MHz)	Reading (dBuV)	Correct Factor(dB/m)	Result (dBuV/m)	Limit (dBuV/m)	Margin (dB)	Remark
1	2483.500	46.81	0.16	46.97	74.00	-27.03	peak
2	2483.680	50.88	0.16	51.04	74.00	-22.96	peak

Standard:	FCC Part 15C	Test Distance:	3m
Test item:	Radiated Emission	Power:	AC 120V/60Hz
Model Number:	PH85110	Temp.(°C)/Hum.(%RH):	26(°C)/60%RH
Mode:	Mode 5	Date:	07/05/2011
Frequency:	2402 MHz	Test By:	Gary Wu
Ant.Polar.:	Horizontal		



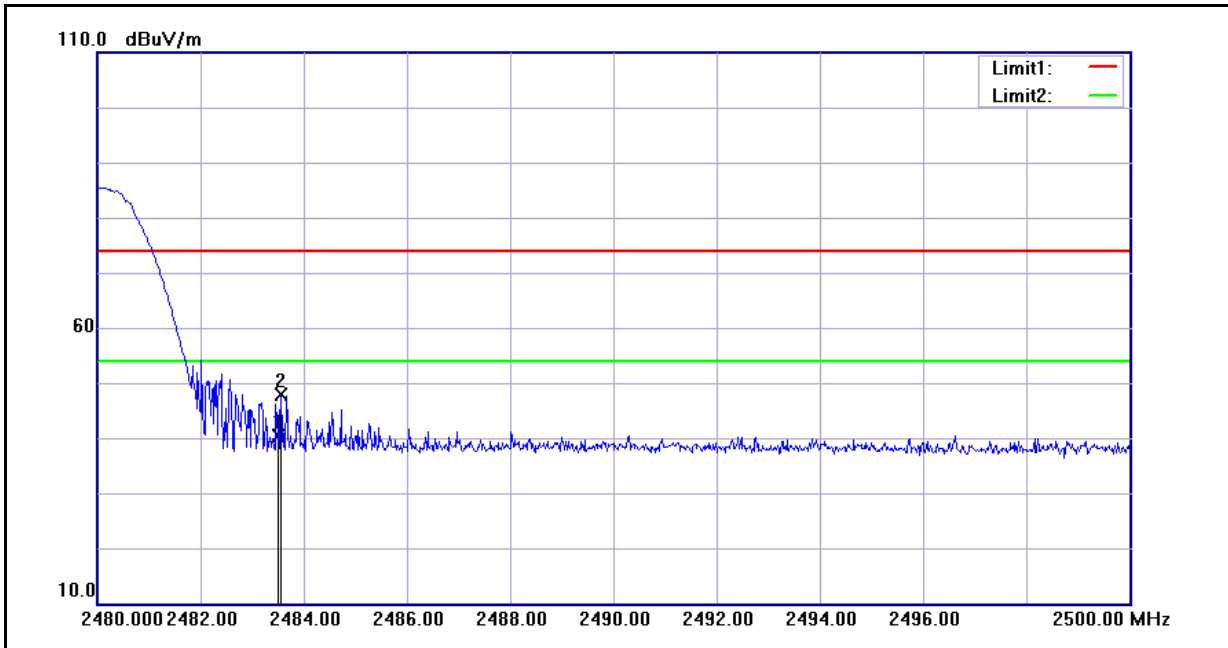
No.	Frequency (MHz)	Reading (dBuV)	Correct Factor(dB/m)	Result (dBuV/m)	Limit (dBuV/m)	Margin (dB)	Remark
1	2384.250	39.45	-0.24	39.21	74.00	-34.79	peak
2	2390.000	38.76	-0.22	38.54	74.00	-35.46	peak

Standard:	FCC Part 15C	Test Distance:	3m
Test item:	Radiated Emission	Power:	AC 120V/60Hz
Model Number:	PH85110	Temp.(°C)/Hum.(%RH):	26(°C)/60%RH
Mode:	Mode 5	Date:	07/05/2011
Frequency:	2402 MHz	Test By:	Gary Wu
Ant.Polar.:	Vertical		



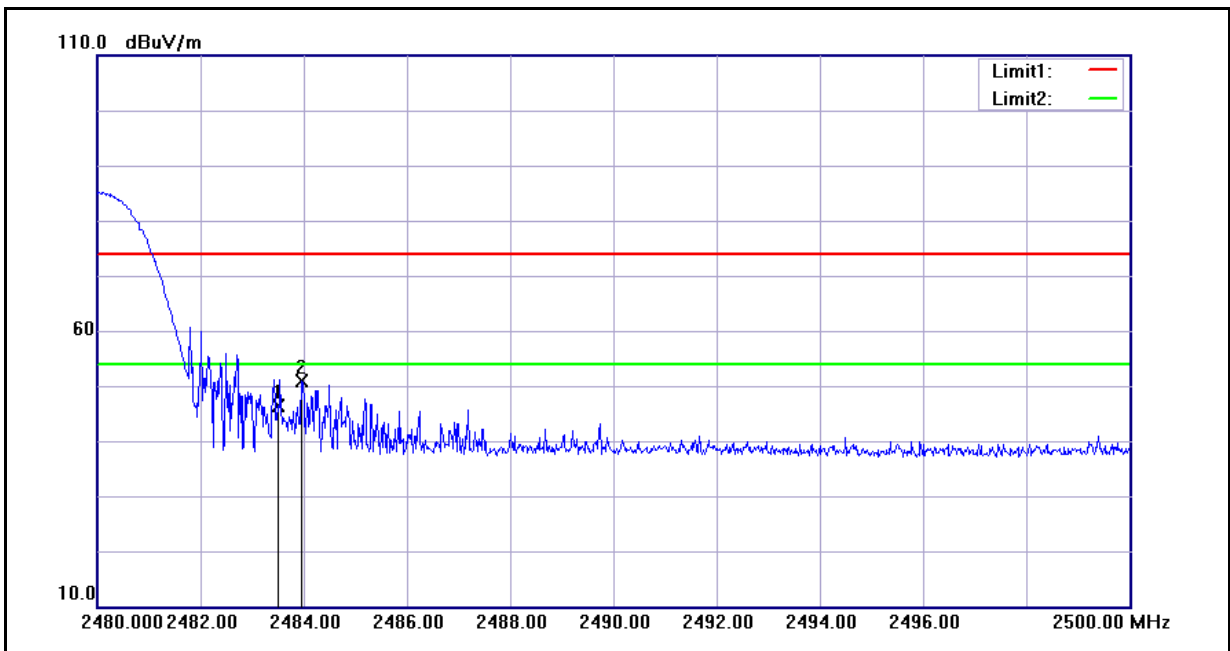
No.	Frequency (MHz)	Reading (dBuV)	Correct Factor(dB/m)	Result (dBuV/m)	Limit (dBuV/m)	Margin (dB)	Remark
1	2376.660	40.50	-0.27	40.23	74.00	-33.77	peak
2	2390.000	37.91	-0.22	37.69	74.00	-36.31	peak

Standard:	FCC Part 15C	Test Distance:	3m
Test item:	Radiated Emission	Power:	AC 120V/60Hz
Model Number:	PH85110	Temp.(°C)/Hum.(%RH):	26(°C)/60%RH
Mode:	Mode 5	Date:	07/05/2011
Frequency:	2480 MHz	Test By:	Gary Wu
Ant.Polar.:	Horizontal		



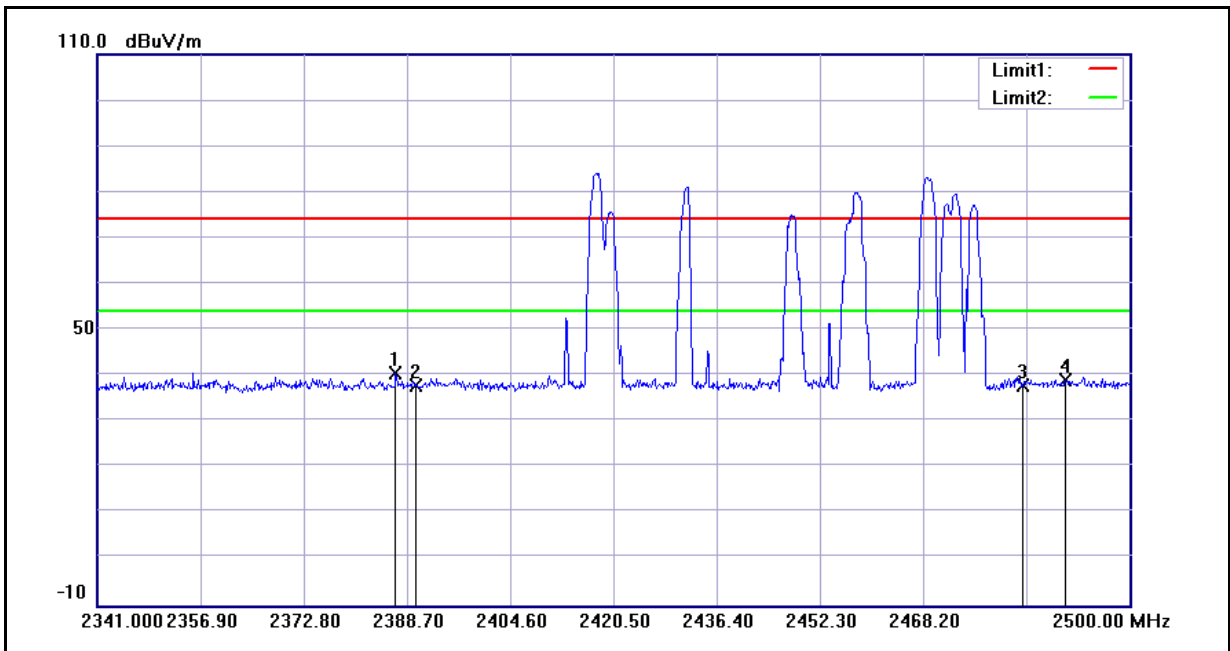
No.	Frequency (MHz)	Reading (dBuV)	Correct Factor(dB/m)	Result (dBuV/m)	Limit (dBuV/m)	Margin (dB)	Remark
1	2483.500	40.28	0.16	40.44	74.00	-33.56	peak
2	2483.560	47.62	0.16	47.78	74.00	-26.22	peak

Standard:	FCC Part 15C	Test Distance:	3m
Test item:	Radiated Emission	Power:	AC 120V/60Hz
Model Number:	PH85110	Temp.(°C)/Hum.(%RH):	26(°C)/60%RH
Mode:	Mode 5	Date:	07/05/2011
Frequency:	2480 MHz	Test By:	Gary Wu
Ant.Polar.:	Vertical		



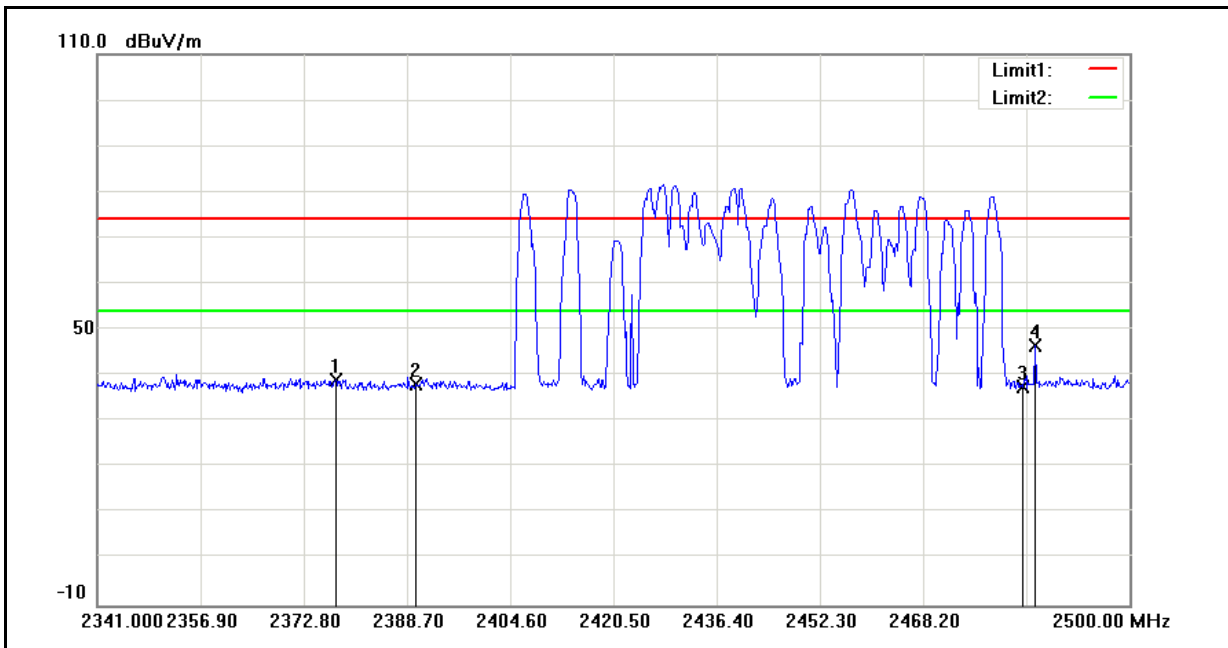
No.	Frequency (MHz)	Reading (dBuV)	Correct Factor(dB/m)	Result (dBuV/m)	Limit (dBuV/m)	Margin (dB)	Remark
1	2483.500	46.33	0.16	46.49	74.00	-27.51	peak
2	2483.960	50.63	0.16	50.79	74.00	-23.21	peak

Standard:	FCC Part 15C	Test Distance:	3m
Test item:	Radiated Emission	Power:	AC 120V/60Hz
Model Number:	PH85110	Temp.(°C)/Hum.(%RH):	26(°C)/60%RH
Mode:	Mode 7	Date:	08/01/2011
Ant.Polar.:	Horizontal	Test By:	Gary Wu



No.	Frequency (MHz)	Reading (dBuV)	Correct Factor(dB/m)	Result (dBuV/m)	Limit (dBuV/m)	Margin (dB)	Remark
1	2386.951	40.89	-0.22	40.67	74.00	-33.33	peak
2	2390.000	38.05	-0.22	37.83	74.00	-36.17	peak
3	2483.500	37.55	0.16	37.71	74.00	-36.29	peak
4	2490.142	38.97	0.18	39.15	74.00	-34.85	peak

Standard:	FCC Part 15C	Test Distance:	3m
Test item:	Radiated Emission	Power:	AC 120V/60Hz
Model Number:	PH85110	Temp.(°C)/Hum.(%RH):	26(°C)/60%RH
Mode:	Mode 7	Date:	08/01/2011
Ant.Polar.:	Vertical	Test By:	Gary Wu



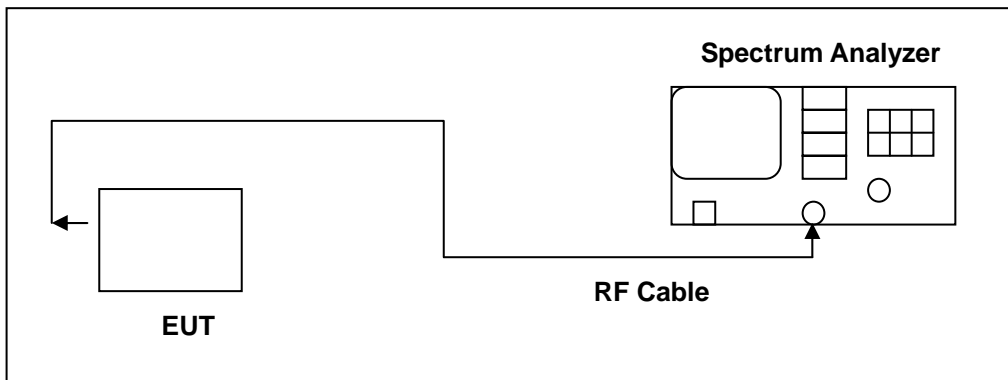
No.	Frequency (MHz)	Reading (dBuV)	Correct Factor(dB/m)	Result (dBuV/m)	Limit (dBuV/m)	Margin (dB)	Remark
1	2377.729	39.35	-0.27	39.08	74.00	-34.92	peak
2	2390.000	38.50	-0.22	38.28	74.00	-35.72	peak
3	2483.500	37.35	0.16	37.51	74.00	-36.49	peak
4	2485.531	46.32	0.17	46.49	74.00	-27.51	peak

13 99 % Occupied Bandwidth Measurement

13.1.Limit

N/A

13.2.Test Setup



13.3.Test Instruments

Equipment	Manufacturer	Model Number	Serial Number	Cal. Date	Remark
Spectrum Analyzer	Agilent	E4445A	MY46181986	05/16/2011	(2)
Test Site	ATL	TE02	TE02	N.C.R.	-----

Remark: (1) Calibration period 1 year. (2) Calibration period 2 years.

NOTE: N.C.R. = No Calibration Request.

13.4.Test Procedure

The transmitter shall be operated at its maximum carrier power measured under normal test conditions. The span of the analyzer shall be set to capture all products of the modulation process, including the emission skirts. The resolution bandwidth shall be set to as close to 1% of the selected span as is possible without being below 1%. The video bandwidth shall be set to 3 times the resolution bandwidth. Video averaging is not permitted. Where practical, a sampling detector shall be used since a peak or, peak hold, may produce a wider bandwidth than actual.

The trace data points are recovered and are directly summed in linear terms. The recovered amplitude data points, beginning at the lowest frequency, are placed in a running sum until 0.5% of the total is reached and that frequency recorded. The process is repeated for the highest frequency data points. This frequency is recorded.

13.5.Test Result

Model Number	PH85110		
Test Item	99 % Occupied Bandwidth		
Test Mode	Mode 3: GFSK Link Mode		
Date of Test	07/13/2010	Test Site	TE02
Frequency (MHz)	Measurement (MHz)		Limit (MHz)
2402	0.8018356		----
2441	0.8236599		----
2480	0.8310411		----

Model Number	PH85110		
Test Item	99 % Occupied Bandwidth		
Test Mode	Mode 5: 8DPSK Link Mode		
Date of Test	07/13/2010	Test Site	TE02
Frequency (MHz)	Measurement (MHz)		Limit (MHz)
2402	1.1662		----
2441	1.1692		----
2480	1.1641		----

13.6. Test Graphs

Mode 3: GFSK Link Mode	
2402	<p>Agilent T Freq/Channel</p> <p>Ch Freq 2.402 GHz Trig Free</p> <p>Center Freq 2.40200000 GHz</p> <p>Start Freq 2.40050000 GHz</p> <p>Stop Freq 2.40350000 GHz</p> <p>CF Step 300.000000 kHz Auto Man</p> <p>Freq Offset 0.00000000 Hz</p> <p>Signal Track On Off</p> <p>Ref 15.76 dBm Atten 20 dB</p> <p>#Samp 10</p> <p>Log dB/Offst 5.76 dB</p> <p>Center 2.402 000 GHz Span 3 MHz</p> <p>#Res BW 30 kHz #VBW 100 kHz Sweep 10.04 ms (601 pts)</p> <p>Occupied Bandwidth 801.8356 kHz</p> <p>Occ BW % Pwr 99.00 %</p> <p>x dB -26.00 dB</p> <p>Transmit Freq Error 2.905 kHz</p> <p>x dB Bandwidth 1.102 MHz*</p> <p>Copyright 2000-2005 Agilent Technologies</p>
2441	<p>Agilent T Freq/Channel</p> <p>Ch Freq 2.441 GHz Trig Free</p> <p>Center Freq 2.44100000 GHz</p> <p>Start Freq 2.43950000 GHz</p> <p>Stop Freq 2.44250000 GHz</p> <p>CF Step 300.000000 kHz Auto Man</p> <p>Freq Offset 0.00000000 Hz</p> <p>Signal Track On Off</p> <p>Ref 15.76 dBm Atten 20 dB</p> <p>#Samp 10</p> <p>Log dB/Offst 5.76 dB</p> <p>Center 2.441 000 GHz Span 3 MHz</p> <p>#Res BW 30 kHz #VBW 100 kHz Sweep 10.04 ms (601 pts)</p> <p>Occupied Bandwidth 823.6599 kHz</p> <p>Occ BW % Pwr 99.00 %</p> <p>x dB -26.00 dB</p> <p>Transmit Freq Error 1.714 kHz</p> <p>x dB Bandwidth 1.149 MHz*</p> <p>Copyright 2000-2005 Agilent Technologies</p>
2480	<p>Agilent T Freq/Channel</p> <p>Ch Freq 2.48 GHz Trig Free</p> <p>Center Freq 2.48000000 GHz</p> <p>Start Freq 2.47850000 GHz</p> <p>Stop Freq 2.48150000 GHz</p> <p>CF Step 300.000000 kHz Auto Man</p> <p>Freq Offset 0.00000000 Hz</p> <p>Signal Track On Off</p> <p>Ref 15.76 dBm Atten 20 dB</p> <p>#Samp 10</p> <p>Log dB/Offst 5.76 dB</p> <p>Center 2.480 000 GHz Span 3 MHz</p> <p>#Res BW 30 kHz #VBW 100 kHz Sweep 10.04 ms (601 pts)</p> <p>Occupied Bandwidth 831.0411 kHz</p> <p>Occ BW % Pwr 99.00 %</p> <p>x dB -26.00 dB</p> <p>Transmit Freq Error 2.751 kHz</p> <p>x dB Bandwidth 1.150 MHz*</p> <p>Copyright 2000-2005 Agilent Technologies</p>

Mode 5: 8DPSK Link Mode	
2402	<p>Agilent T Freq/Channel</p> <p>Ch Freq 2.402 GHz Trig Free</p> <p>Center Freq 2.40200000 GHz</p> <p>Start Freq 2.40050000 GHz</p> <p>Stop Freq 2.40350000 GHz</p> <p>CF Step 300.000000 kHz Auto Man</p> <p>Freq Offset 0.00000000 Hz</p> <p>Signal Track On Off</p> <p>Ref 15.76 dBm Atten 20 dB</p> <p>Center 2.402 000 GHz Span 3 MHz</p> <p>#Res BW 30 kHz #VBW 100 kHz Sweep 10.04 ms (601 pts)</p> <p>Occupied Bandwidth 1.1662 MHz</p> <p>Occ BW % Pwr 99.00 %</p> <p>x dB Bandwidth 1.383 MHz* x dB -26.00 dB</p> <p>Transmit Freq Error 6.057 kHz</p> <p>Copyright 2000-2005 Agilent Technologies</p>
2441	<p>Agilent T Freq/Channel</p> <p>Ch Freq 2.441 GHz Trig Free</p> <p>Center Freq 2.44100000 GHz</p> <p>Start Freq 2.43950000 GHz</p> <p>Stop Freq 2.44250000 GHz</p> <p>CF Step 300.000000 kHz Auto Man</p> <p>Freq Offset 0.00000000 Hz</p> <p>Signal Track On Off</p> <p>Ref 15.76 dBm Atten 20 dB</p> <p>Center 2.441 000 GHz Span 3 MHz</p> <p>#Res BW 30 kHz #VBW 100 kHz Sweep 10.04 ms (601 pts)</p> <p>Occupied Bandwidth 1.1692 MHz</p> <p>Occ BW % Pwr 99.00 %</p> <p>x dB Bandwidth 1.385 MHz* x dB -26.00 dB</p> <p>Transmit Freq Error 5.162 kHz</p> <p>Copyright 2000-2005 Agilent Technologies</p>
2480	<p>Agilent T Freq/Channel</p> <p>Ch Freq 2.48 GHz Trig Free</p> <p>Center Freq 2.48000000 GHz</p> <p>Start Freq 2.47850000 GHz</p> <p>Stop Freq 2.48150000 GHz</p> <p>CF Step 300.000000 kHz Auto Man</p> <p>Freq Offset 0.00000000 Hz</p> <p>Signal Track On Off</p> <p>Ref 15.76 dBm Atten 20 dB</p> <p>Center 2.480 000 GHz Span 3 MHz</p> <p>#Res BW 30 kHz #VBW 100 kHz Sweep 10.04 ms (601 pts)</p> <p>Occupied Bandwidth 1.1641 MHz</p> <p>Occ BW % Pwr 99.00 %</p> <p>x dB Bandwidth 1.383 MHz* x dB -26.00 dB</p> <p>Transmit Freq Error 9.090 kHz</p> <p>Copyright 2000-2005 Agilent Technologies</p>

14 Antenna Measurement

14.1.Limit

For intentional device, according to 15.203, an intentional radiator shall be designed to ensure that no antenna other than that furnished by the responsible party shall be used with the device.

And According to 15.247 (b), if transmitting antennas of directional gain greater than 6 dBi are used, the power shall be reduced by the amount in dB that the directional gain of the antenna exceeds 6dBi.

14.2.Antenna Connector Construction

The antenna used in this product is **PIFA antenna**. And the maximum Gain of this antenna is only **0.8 dBi**.