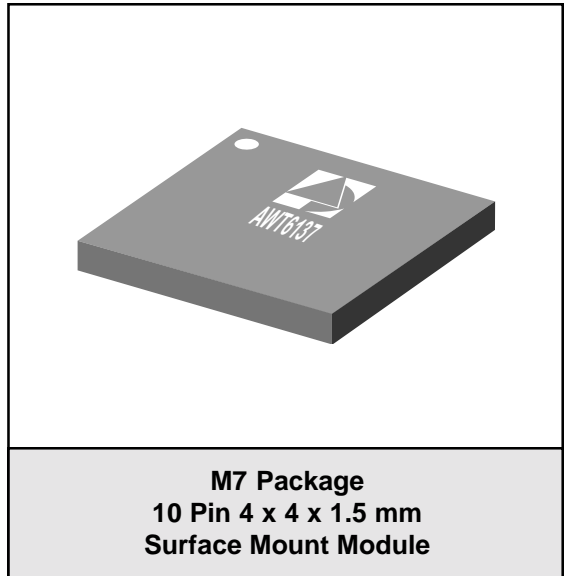


**FEATURES**

- InGaP HBT Technology
- High Efficiency:
  - 39% @ +28 dBm
  - 20% @ +16 dBm
- Low Quiescent Current: 15 mA
- Low Leakage Current in Shutdown Mode: <1  $\mu$ A
- $V_{REF} = +2.85$  V (+2.7 V Min Over Temp.)
- Low Profile Surface Mount Package: 1.56mm Max
- CDMA 1XRTT and 1xEV-DO Compliant

**APPLICATIONS**

- Single Mode CDMA Wireless Handsets
- Dual Mode AMPS/CDMA Wireless Handsets



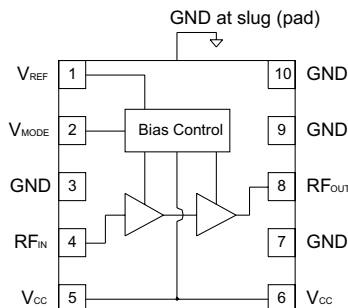
**PRODUCT DESCRIPTION**

The AWT6137 CDMA/AMPS Power Amplifier is a high performance CDMA2000/ 1XRTT amplifier designed specifically for Cellular wireless applications. This rugged, easy to use InGaP HBT design delivers state of the art efficiency and temperature stability with very low DC power consumption. The AWT6137 PA module has the lowest CDG currents available to handset manufacturers today.

A combination of low idle current and mode switching enables the AWT6137 to deliver unparalleled CDMA average power efficiencies. This bias feature allows the AWT6137 to significantly increase the battery usage time of a mobile

handset. The device has mode-switching to take advantage of its high efficiency operation over a wide range of output powers. Higher low power efficiency is achieved without an external DAC or DC-DC converter. The integrated power amplifier module employs a proprietary bias control and temperature compensation circuit that assures stable operation, even at extreme temperature conditions.

The self contained 4 x 4 x 1.5 mm surface mount package incorporates matching networks optimized for output power, efficiency and linearity in a 50  $\Omega$  system making it easy to incorporate the device into BOTH new and existing designs.



**Figure 1: Block Diagram**

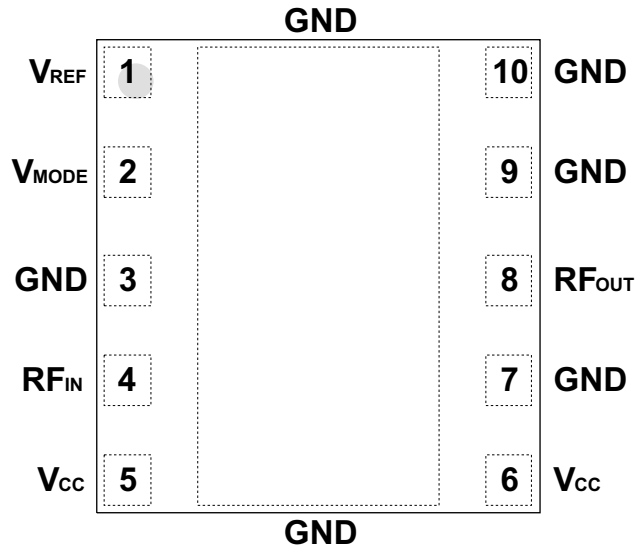


Figure 2: Pinout (X-ray Top View)

Table 1: Pin Description

PIN	NAME	DESCRIPTION
1	V <sub>REF</sub>	Reference Voltage
2	V <sub>MODE</sub>	Mode Control
3	GND	Ground
4	RF <sub>IN</sub>	RF Input
5	V <sub>CC</sub>	Supply Voltage
6	V <sub>CC</sub>	Supply Voltage
7	GND	Ground
8	RF <sub>OUT</sub>	RF Output
9	GND	Ground
10	GND	Ground

## ELECTRICAL CHARACTERISTICS

Table 2: Absolute Minimum and Maximum Ratings

PARAMETER	MIN	MAX	UNIT
Supply Voltage ( $V_{CC}$ )	0	+5	V
Mode Control Voltage ( $V_{MODE}$ )	0	+3.5	V
Reference Voltage ( $V_{REF}$ )	0	+3.5	V
RF Input Power ( $P_{IN}$ )	-	+10	dBm
Storage Temperature ( $T_{STG}$ )	-40	+150	°C

Stresses in excess of the absolute ratings may cause permanent damage. Functional operation is not implied under these conditions. Exposure to absolute ratings for extended periods of time may adversely affect reliability.

Table 3: Operating Ranges

PARAMETER	MIN	TYP	MAX	UNIT	COMMENTS
Operating Frequency (f)	824	-	849	MHz	
Supply Voltage ( $V_{CC}$ )	+3.2	+3.4	+4.2	V	
Reference Voltage ( $V_{REF}$ )	+2.7 0	+2.85 -	+3.1 +0.5	V	PA "on" PA "shut down"
Mode Control Voltage ( $V_{MODE}$ )	+2.5 0	+2.85 -	+3.1 +0.5	V	Low Bias Mode High Bias Mode
RF Output Power ( $P_{OUT}$ )	30.5 <sup>(1)</sup> 27.5 <sup>(1)</sup>	31.0 28.0	- -	dBm	AMPS CDMA
Case Temperature ( $T_C$ )	-30	-	+85	°C	

The device may be operated safely over these conditions; however, parametric performance is guaranteed only over the conditions defined in the electrical specifications.

## Notes:

(1) For operation at  $T_C = +85$  °C and  $V_{CC} = +3.2$  V,  $P_{OUT}$  is derated by 0.5 dB.

**Table 4: Electrical Specifications - AMPS Operation**  
 (T<sub>C</sub> = +25 °C, V<sub>CC</sub> = +3.4 V, V<sub>REF</sub> = +2.85 V, V<sub>MODE</sub> = 0 V, P<sub>OUT</sub> = +31 dBm, 50 Ω system)

PARAMETER	MIN	TYP	MAX	UNIT	COMMENTS
Gain	25.5	26.5	30	dB	
Gain Variation	-	0.5	1.5	dB	
Power-Added Efficiency	50	55	-	%	
Quiescent Current (I <sub>q</sub> )	-	100	120	mA	
Reference Current	-	3.5	5.0	mA	through V <sub>REF</sub> pin
Mode Control Current	-	0	0.1	mA	through V <sub>MODE</sub> pin, V <sub>MODE</sub> = 0 V
Leakage Current	-	<1	5	μA	V <sub>CC</sub> = +4.2 V, V <sub>REF</sub> = 0 V, V <sub>MODE</sub> = 0 V
Noise in Receive Band	-	-134	-132	dBm/Hz	869 MHz to 894 MHz
Harmonics 2fo 3fo, 4fo	- - -	-40 -45	-30 -30	dBc	
Input Impedance	-	-	2:1	VSWR	
Spurious Output Level (all spurious outputs)	-	-	-65	dBc	P <sub>OUT</sub> ≤ +31 dBm In-band load VSWR < 5:1 Out-of-band load VSWR < 10:1
Load mismatch stress with no permanent degradation or failure	8:1	-	-	VSWR	V <sub>CC</sub> = +5.0 V P <sub>IN</sub> = +5 dBm Applies over full operating temperature range

**Table 5: Electrical Specifications - CDMA Operation**  
**(T<sub>C</sub> = +25 °C, V<sub>CC</sub> = +3.4 V, V<sub>REF</sub> = +2.85 V, 50 Ω system)**

PARAMETER	MIN	TYP	MAX	UNIT	COMMENTS
Gain	25 14	27 16	30 20	dB	P <sub>OUT</sub> = +28 dBm, V <sub>MODE</sub> = 0 V P <sub>OUT</sub> = +16 dBm, V <sub>MODE</sub> = +2.85 V
Adjacent Channel Power at ± 885 kHz offset <sup>(1)</sup> Primary Channel BW = 1.23 MHz Adjacent Channel BW = 30 kHz	- -	-49 -54	-47 -47	dBc	P <sub>OUT</sub> = +28 dBm, V <sub>MODE</sub> = 0 V P <sub>OUT</sub> = +16 dBm, V <sub>MODE</sub> = +2.85 V
Adjacent Channel Power at ± 1.98 MHz offset Primary Channel BW = 1.23 MHz Adjacent Channel BW = 30 kHz	- -	-59 -60	-56 -57	dBc	P <sub>OUT</sub> = +28 dBm, V <sub>MODE</sub> = 0 V P <sub>OUT</sub> = +16 dBm, V <sub>MODE</sub> = +2.85 V
Power-Added Efficiency <sup>(1)</sup>	37 18 1	39 20 1.7	- - -	%	P <sub>OUT</sub> = +28 dBm, V <sub>MODE</sub> = 0 V P <sub>OUT</sub> = +16 dBm, V <sub>MODE</sub> = +2.85 V P <sub>OUT</sub> = 0 dBm, V <sub>MODE</sub> = +2.85 V
Quiescent Current (I <sub>q</sub> )	- -	100 15	120 20	mA	V <sub>MODE</sub> = 0 V V <sub>MODE</sub> = +2.85 V
Reference Current	-	3.5	5.0	mA	through V <sub>REF</sub> pin
Mode Control Current	-	0.6	1	mA	through V <sub>MODE</sub> pin
Leakage Current	-	<1	5	μA	V <sub>CC</sub> = +4.2 V, V <sub>REF</sub> = 0 V, V <sub>MODE</sub> = 0 V
Noise in Receive Band	-	-135	-133	dBm/Hz	869 MHz to 894 MHz
Harmonics 2fo 3fo, 4fo	- -	-40 -45	-30 -30	dBc	
Input Impedance	-	-	2:1	VSWR	
Spurious Output Level (all spurious outputs)	-	-	-65	dBc	P <sub>OUT</sub> ≤ +28 dBm In-band load VSWR < 5:1 Out-of-band load VSWR < 10:1
Load mismatch stress with no permanent degradation or failure	8:1	-	-	VSWR	V <sub>CC</sub> = +5.0 V P <sub>IN</sub> = +5 dBm Applies over full operating temperature range

Notes:

(1) PAE and ACP limit applies at 836.5 MHz.

**APPLICATION INFORMATION**

To ensure proper performance, refer to all related Application Notes on the ANADIGICS web site: <http://www.anadigics.com>

**Shutdown Mode**

The power amplifier may be placed in a shutdown mode by applying a logic low levels (see Operating Ranges table) to both the  $V_{REF}$  and  $V_{MODE}$  voltages.

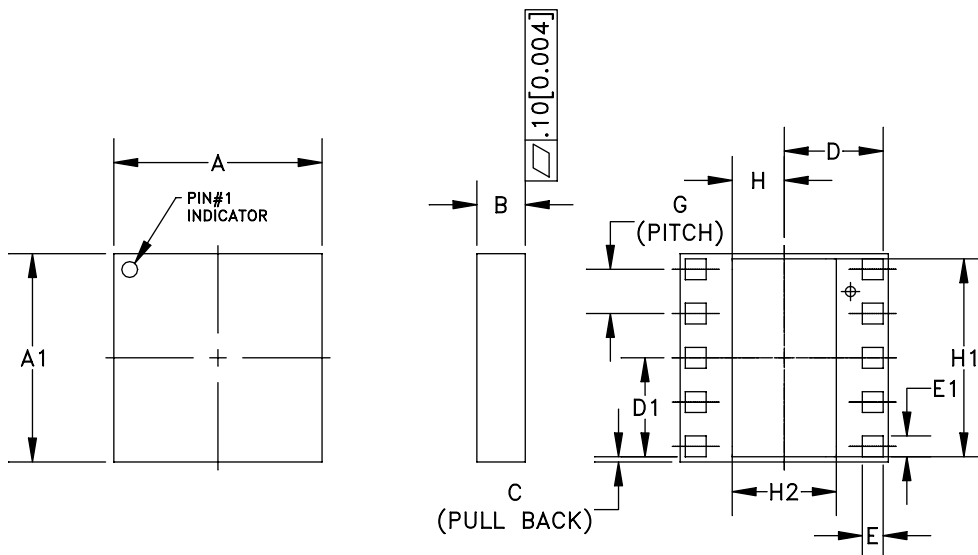
**Bias Modes**

The power amplifier may be placed in either a Low Bias mode or a High Bias mode by applying the appropriate logic level (see Operating Ranges table) to the  $V_{MODE}$  voltage. The Bias Control table lists the recommended modes of operation for various applications.

**Table 6: Bias Control**

<b>APPLICATION</b>	<b>P<sub>OUT</sub> LEVELS</b>	<b>BIAS MODE</b>	<b>V<sub>REF</sub></b>	<b>V<sub>MODE</sub></b>
AMPS	(all)	High	+2.85 V	0 V
CDMA - low power	≤+16 dBm	Low	+2.85 V	+2.85 V
CDMA - high power	>+16 dBm	High	+2.85 V	0 V
Shutdown	-	Shutdown	0 V	0 V

PACKAGE OUTLINE



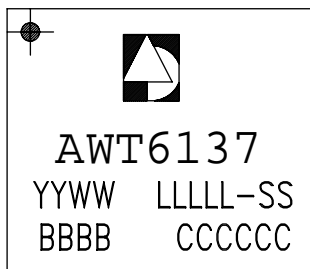
DIM.	MILLIMETERS			INCHES			NOTE
	MIN.	NOM.	MAX.	MIN.	NOM.	MAX.	
A	3.88	4.00	4.12	0.152	0.157	0.162	-
A1	3.88	4.00	4.12	0.152	0.157	0.162	-
B	1.26	1.41	1.56	0.049	0.055	0.061	-
C	-	0.10	-	-	0.004	-	-
D	-	1.90	-	-	0.075	-	-
D1	-	1.90	-	-	0.075	-	-
E	0.35	0.40	0.45	0.013	0.015	0.017	-
E1	0.35	0.40	0.45	0.013	0.015	0.017	-
G	0.85 BSC			0.033 BSC			-
H	-	1.00	-	-	0.039	-	-
H1	-	3.80	-	-	0.149	-	-
H2	-	2.00	-	-	0.078	-	-

NOTES:

1. CONTROLLING DIMENSIONS: MILLIMETERS
2. UNLESS SPECIFIED TOLERANCE=±0.076[0.003].

Figure 3: M7 Package Outline - 10 Pin 4 x 4 x 1.5 mm Surface Mount Module

TOP BRAND

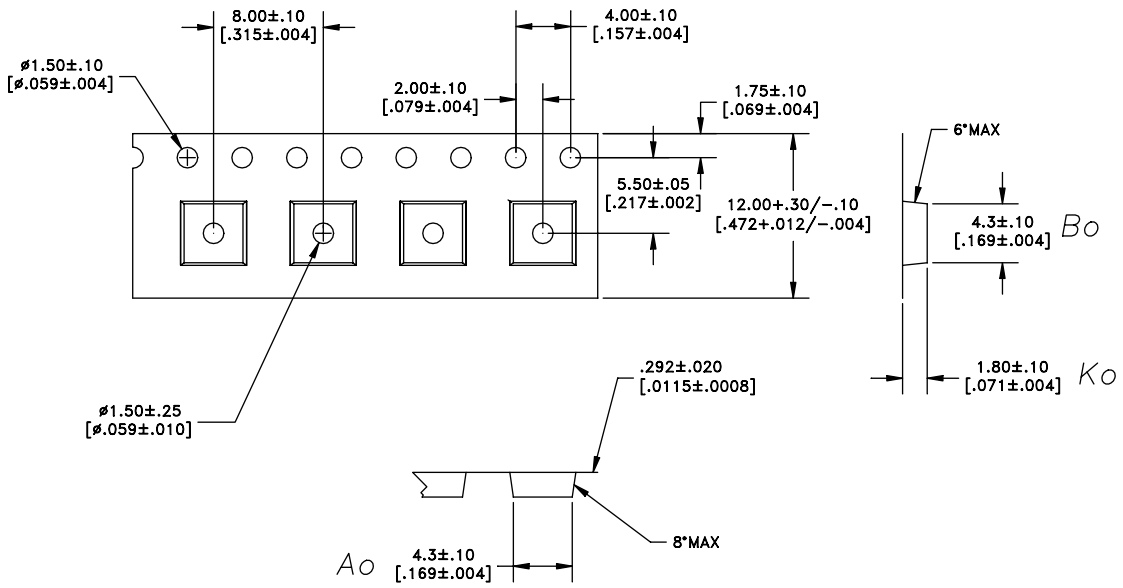


NOTES:

1. ANADIGICS LOGO SIZE: X=0.040±0.010 Y=0.048±0.010
2. PART # AWT6137
3. YEAR AND WORK WEEK: YYWW: YY = YEAR, WW = WORK WEEK
4. LOT - WAFER I.D.: LLLLL = LOT#, SS = WAFER I.D.
5. PIN 1 INDICATOR: MOLD NOTCH -or- INK DOT
6. BOM # BBBB
7. COUNTRY CODE: CCCCC
8. TYPE : ELITE  
SIZE : AS LARGE AS POSSIBLE  
Laser Marked

Figure 4: Branding Specification

COMPONENT PACKAGING



DIMENSIONS ARE IN MILLIMETERS [INCHES]  
STANDARD TOLERANCES

Figure 5: Tape & Reel Packaging

Table 7: Tape & Reel Dimensions

PACKAGE TYPE	TAPE WIDTH	POCKET PITCH	REEL CAPACITY	MAX REEL DIA
4 X 4 x 1.5 mm	12mm	8mm	2500	13"



NOTES

**AWT6137**

**NOTES**

NOTES

**ORDERING INFORMATION**

ORDER NUMBER	TEMPERATURE RANGE	PACKAGE DESCRIPTION	COMPONENT PACKAGING
AWT6137M7P8	-30 °C to +85 °C	10 Pin 4 x 4 x 1.5 mm Surface Mount Module	Tape and Reel, 2500 pieces per Reel

**ANADIGICS, Inc.**

141 Mount Bethel Road  
Warren, New Jersey 07059, U.S.A.

Tel: +1 (908) 668-5000

Fax: +1 (908) 668-5132

URL: <http://www.anadigics.com>

E-mail: [Mktg@anadigics.com](mailto:Mktg@anadigics.com)

**IMPORTANT NOTICE**

ANADIGICS, Inc. reserves the right to make changes to its products or to discontinue any product at any time without notice. The product specifications contained in Advanced Product Information sheets and Preliminary Data Sheets are subject to change prior to a product's formal introduction. Information in Data Sheets have been carefully checked and are assumed to be reliable; however, ANADIGICS assumes no responsibilities for inaccuracies. ANADIGICS strongly urges customers to verify that the information they are using is current before placing orders.

**WARNING**

ANADIGICS products are not intended for use in life support appliances, devices or systems. Use of an ANADIGICS product in any such application without written consent is prohibited.