

## SAR Test Setup Photographs

### Right Head Setup

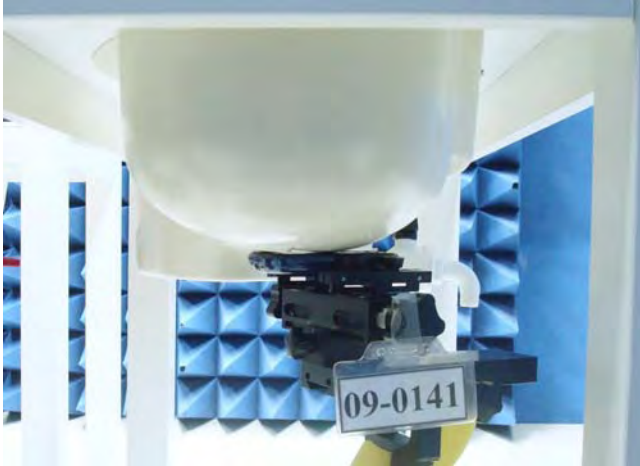
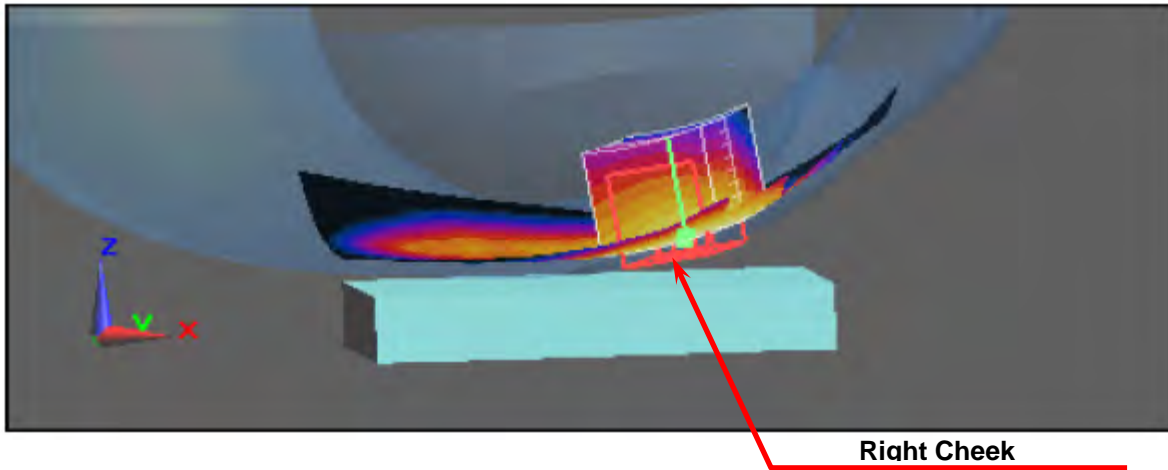


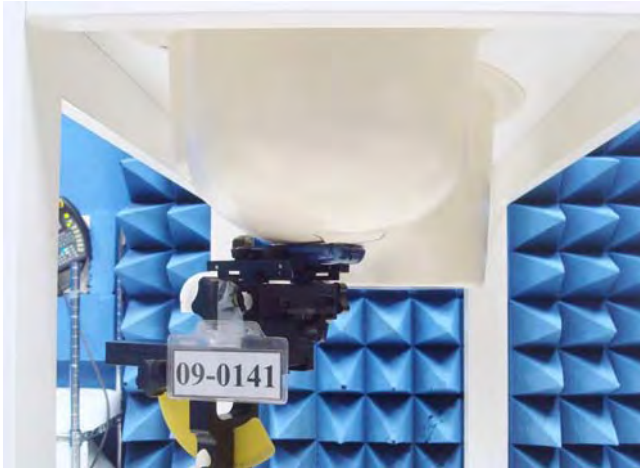
Figure 2. Right Head SAR Test Setup (Cheek)



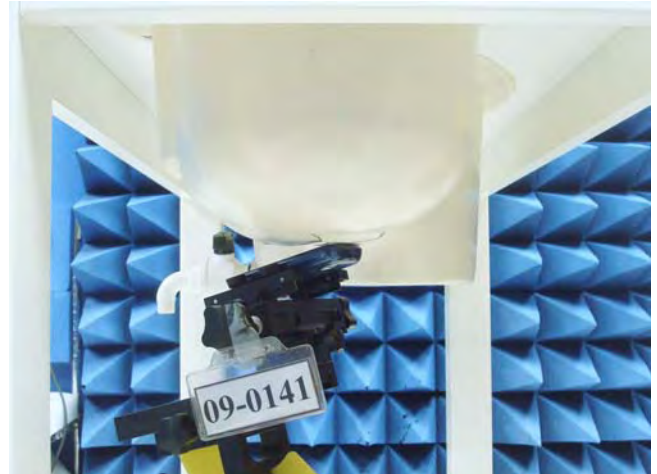
Figure 3. Right Head SAR Test Setup (Tilted)



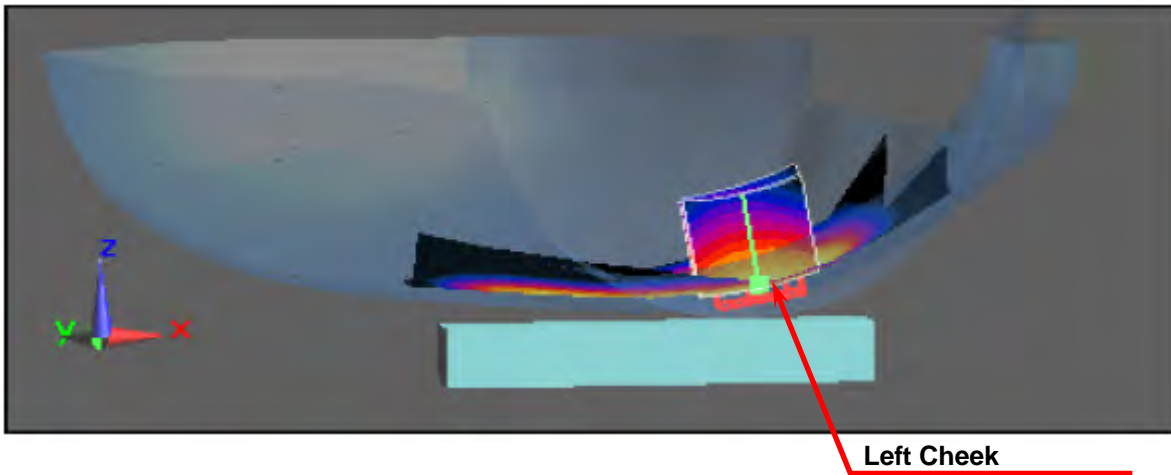
**Left Head Setup**



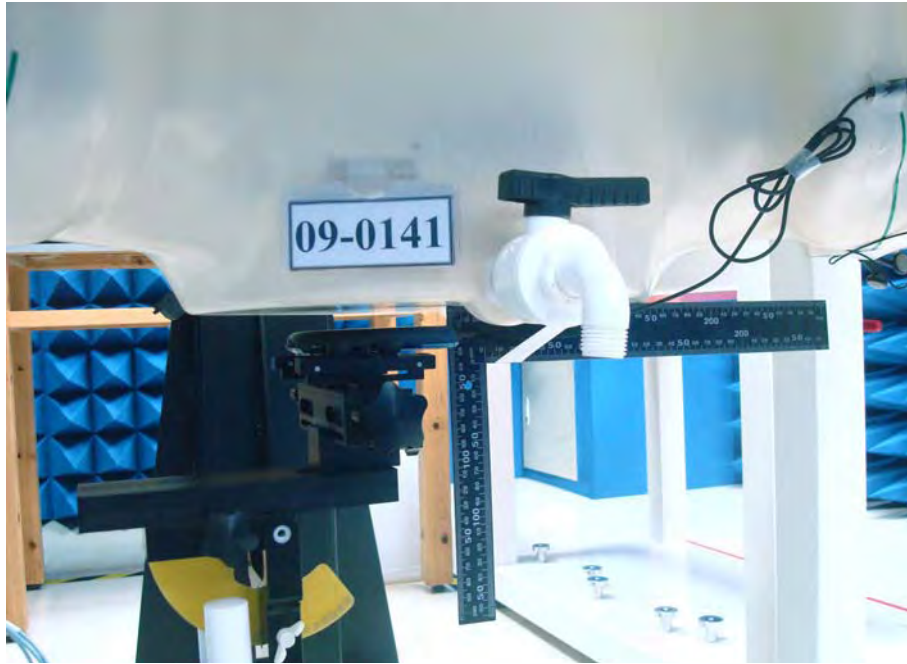
**Figure 4. Left Head SAR Test Setup (Cheek)**



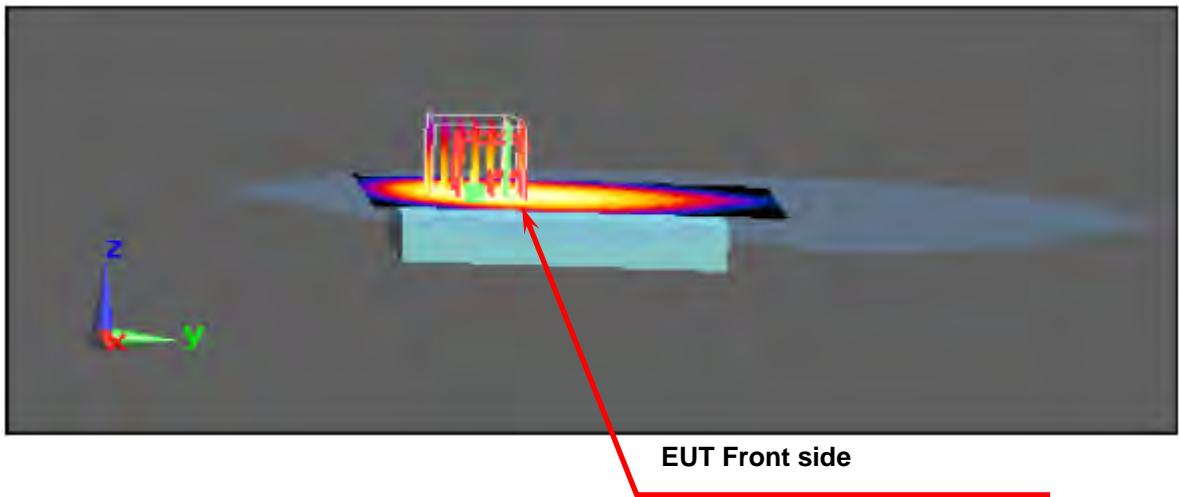
**Figure 5. Left Head SAR Test Setup (Tilted)**



**Body Setup (15 mm separation to phantom)**



**Figure 6. Body SAR Test Setup (Flat Section)**



**EUT Front side**