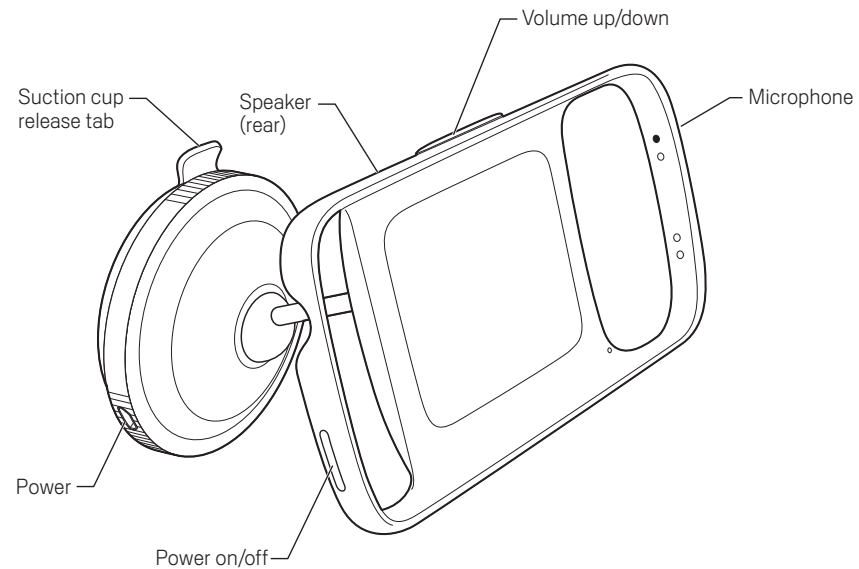
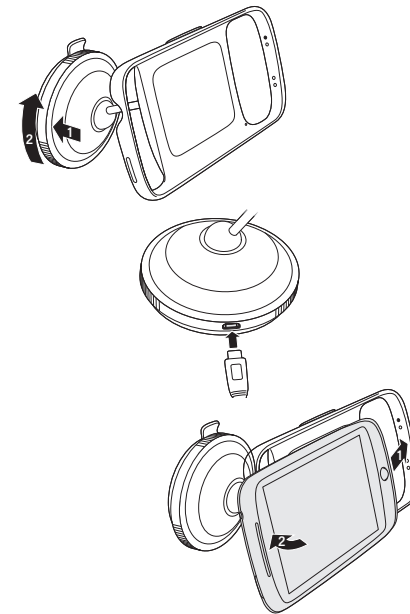


nexus one™

Car Dock

Mounting the dock

- 1 Remove the protective plastic sheet from the suction cup.
- 2 Position the base of the dock on your windscreen or other smooth surface and then press the base firmly while twisting it clockwise, until it locks in place (about a quarter-turn). To mount the dock on a textured surface, first affix the included disc and allow its adhesive to cure for a day before using it.
- 3 Plug the supplied charger into your car's 12V utility socket and the other end into the base of the dock.
- 4 Insert your phone into the dock.



Google, Android, Nexus One, the stylized Nexus One logo, and Google Maps are trademarks of Google Inc. All other company and product names may be trademarks of the companies with which they are associated.

Copyright © 2009 Google Inc.
NOCD-2.1.0-EN-005

Nexus One car dock

The Nexus One™ car dock gives you convenient access to the Android™ applications most useful when driving. It also turns your phone into a speakerphone and charges its battery.

Mounting the dock

Follow the instructions on the reverse side of this document.

Your phone communicates with the dock via a Bluetooth™ connection, which it establishes automatically the first time you insert the phone. It also prompts you to set whether you want to use the dock as a speakerphone and to play music and other media.

Unmounting the dock

- 1 Unplug the dock and remove your phone.
- 2 Twist the base counter-clockwise.
- 3 Lift up on the suction cup's tab to release it.

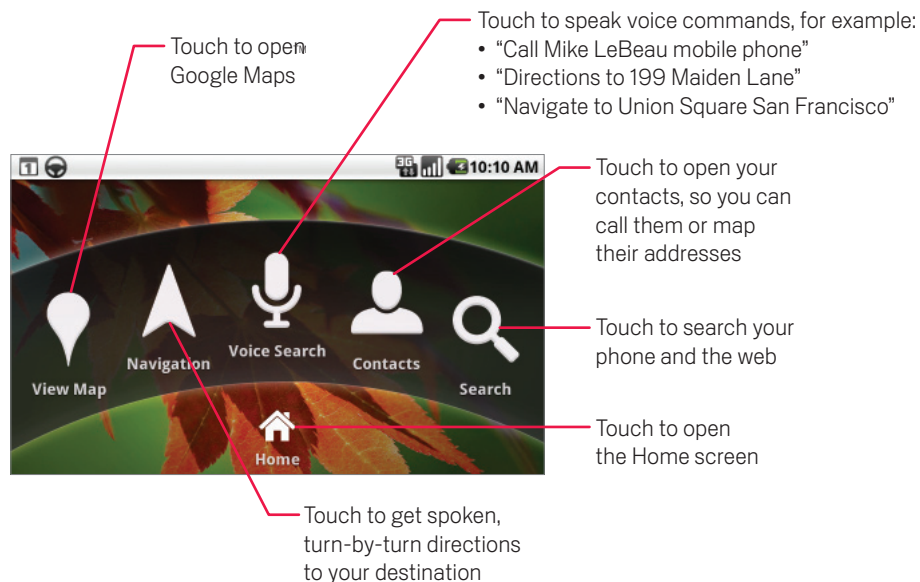
Cleaning the suction cup

If the suction cup gets dirty it won't attach very well. Remove the suction cup from the base before cleaning it, so you don't wet the electronics in the base of the dock (see the instructions inside the suction cup). Clean the suction cup with a lint-free cloth moistened with water.



Using the Car Home application

When you insert the phone in the dock, the Car Home application opens.

Warning! The dock power port does not transmit data. Use only the supplied charger. Never connect the dock to a computer.



Answer the phone

-  Drag to answer to the phone
-  Drag to divert calls to voicemail

When the phone is in the dock, it can use the dock as a hands-free speakerphone. You can also use a Bluetooth headset with the phone when it's docked.

Charging

The status light on the front of the phone turns amber while the phone is charging. It turns green when the phone is fully charged.

Learn more

Read all about your phone and Maps, Contacts, searching, pairing Bluetooth devices, and the many Android applications, in the *Nexus One User's Guide*, available from: google.com/phone/support

Please drive safely!

Be sure to follow all local laws and exercise caution when using your phone's features and the car dock while driving.