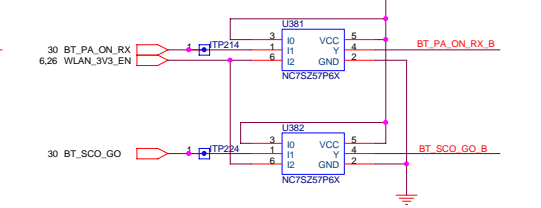
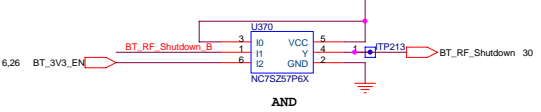
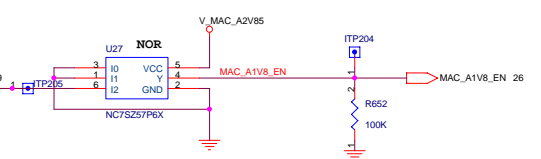
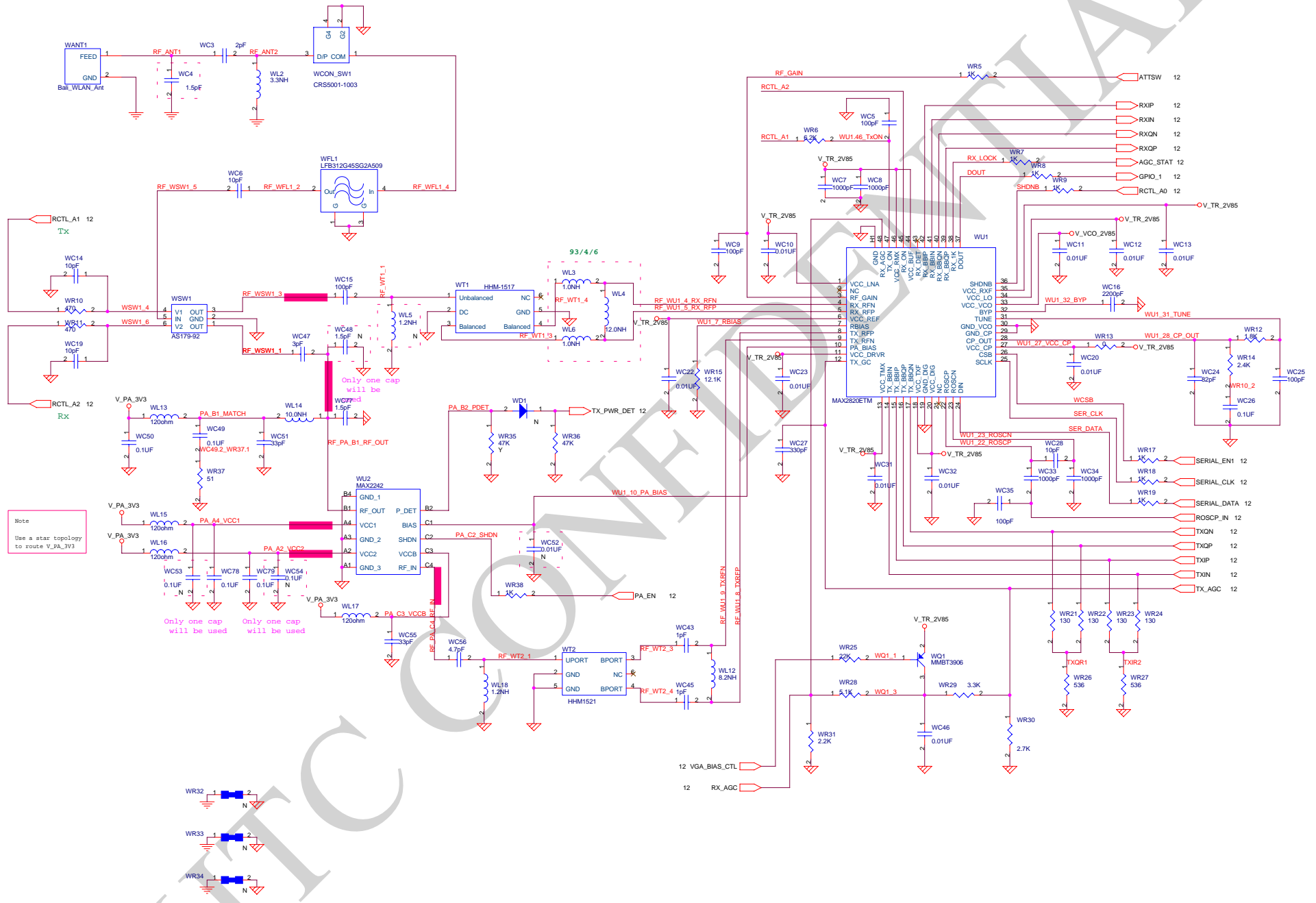


|             |   |       |
|-------------|---|-------|
| POE#        | 1 | TP124 |
| PREG#       | 1 | TP125 |
| MAC_RST     | 1 | TP126 |
| MAC_22M_I   | 1 | TP129 |
| MAC_22M_I_0 | 1 | TP130 |

### RF parts



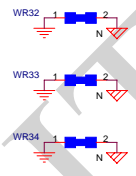
|                             |                                  |                                 |
|-----------------------------|----------------------------------|---------------------------------|
| HTC<br>Engineering Mobility | <b>High Tech Computer, Corp.</b> |                                 |
|                             | Title: MAC                       | Engineer: Tyranny_Wan           |
|                             | Size: TOP DOC.                   | Document Number: CS-S1H00242-00 |
|                             | Ball mainboard                   | Rev: DX01                       |
| Date: Monday, May 24, 2004  | Sheet: 12                        | of: 30                          |



Note  
Use a star topology to route V\_PA\_3V3

Only one cap will be used

Only one cap will be used



|                            |                         |                                  |                     |
|----------------------------|-------------------------|----------------------------------|---------------------|
|                            |                         | <b>High Tech Computer, Corp.</b> |                     |
|                            |                         | Title: WLAN RF                   | Engineer: Jone Chen |
| Size: C                    | FOP DOC: Ball mainboard | Document Number: CS-51H00242-00  | Rev: DX01           |
| Date: Monday, May 24, 2004 | Sheet: 29               | of: 30                           |                     |