

htc®



VIVE™

VIVE Cosmos User guide

Contents

Headset and headphones

Headset	4
Headphones	24

Trademarks and copyrights

Index

HTC CONFIDENTIAL TO FCC

About this guide

We use the following symbols to indicate useful and important information:



This is a note. It provides detailed information for setup, common questions, and what to do in specific situations.



This is a tip. It will give you an alternative way to do a particular step or procedure that you may find helpful.



This indicates important information that you need in order to accomplish a certain task or to get a feature to work properly.



This is a warning. Take note to avoid potential problems or prevent damage to your hardware.

Information contained in this guide may have changed. For the most up-to-date information, including the latest version of this guide, go to [VIVE Support](#).

Before using the product, carefully review VIVE safety information and follow all product safety and operating instructions on <https://www.vive.com/legal/>.

Headset and headphones

Headset

About the VIVE Cosmos headset

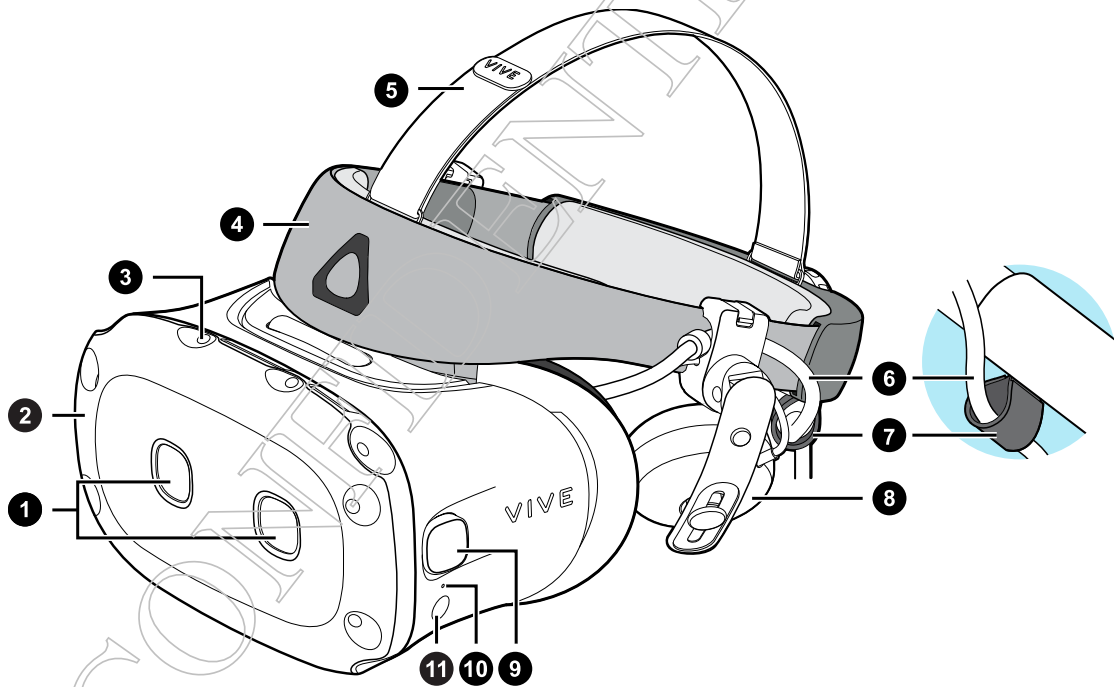
The headset is your window to the VR environment.

The headset has cameras that are used for inside-out tracking.



The cameras on the headset are sensitive. Do not cover or scratch the cameras.

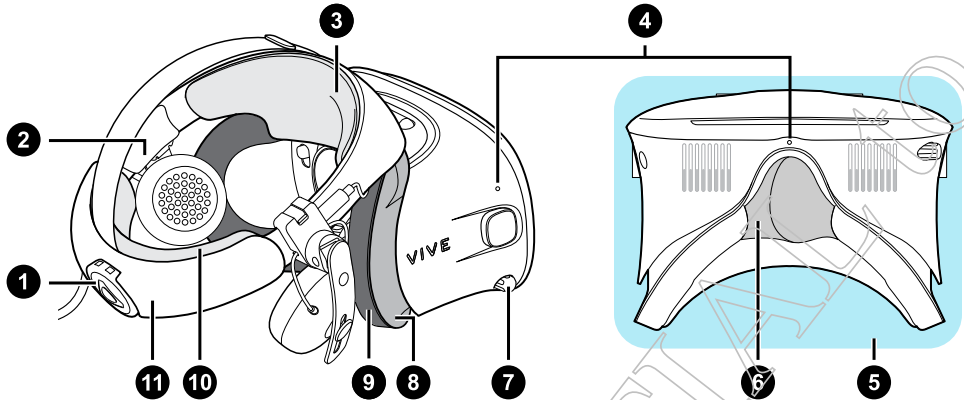
Front and side views



1. Dual cameras
2. Front cover
3. Tracking sensor
4. Headset band
5. Top strap
6. Headset cable
7. Headset cable strip

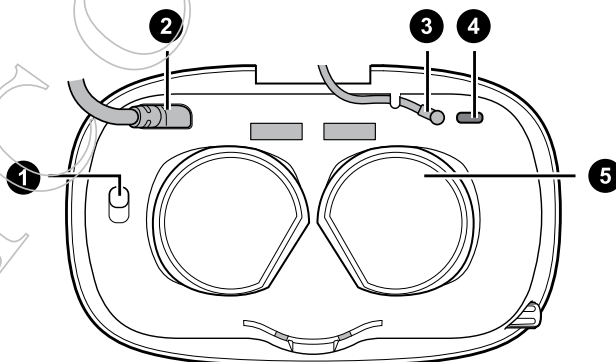
- 8. On-ear headphone
- 9. Side/tracking cameras
- 10. Status light
- 11. Headset button

Back and bottom views



- 1. Adjustment dial
- 2. Side cushion
- 3. Front pad
- 4. Mic
- 5. Visor
- 6. Nose rest
- 7. Interpupillary distance (IPD) knob
- 8. Face cushion frame
- 9. Face cushion
- 10. Back pad
- 11. Headset band

Inner view (face cushion frame removed)



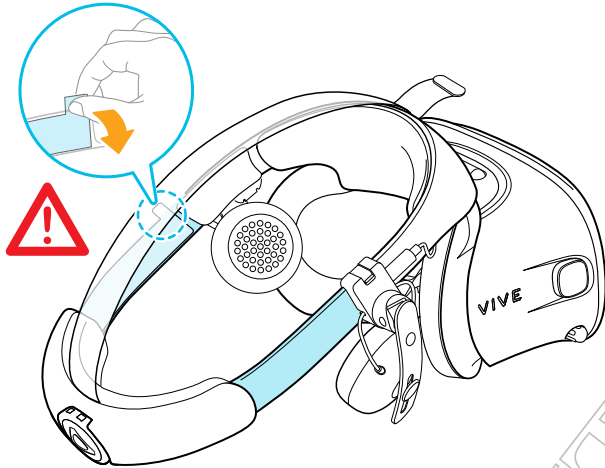
- 1. Front cover lock button
- 2. Headset cable
- 3. Audio cable
- 4. USB Type-C cable slot
- 5. Lenses

Putting on the VIVE Cosmos headset

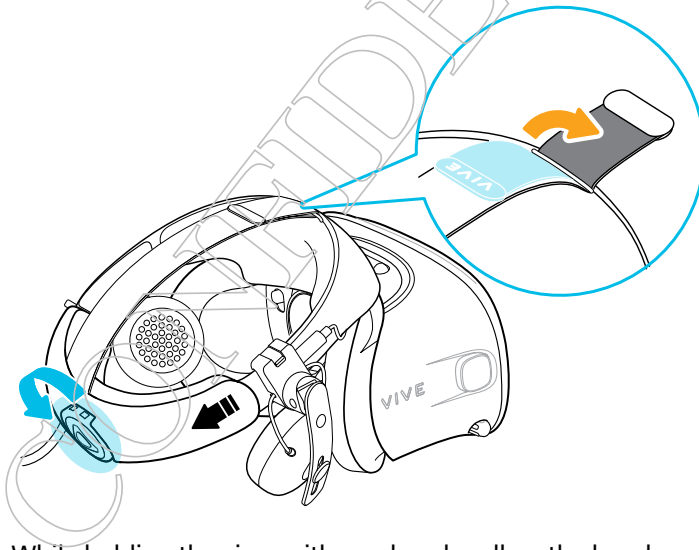


Before putting on the headset, make sure that you've peeled the protective film off of the lenses.

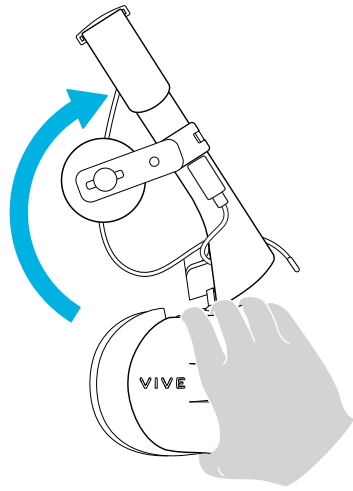
Before wearing the headset for the first time, make sure to fully loosen the band and peel off the protective film starting from the left side of the band.



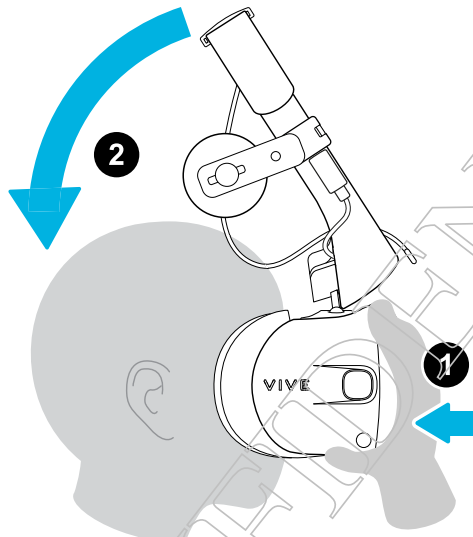
1. Detach the velcro fastener on the top strap, and then loosen the band by turning the adjustment dial counter-clockwise.



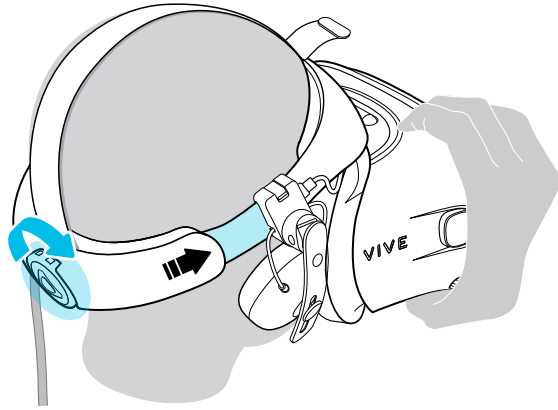
2. While holding the visor with one hand, pull up the band.



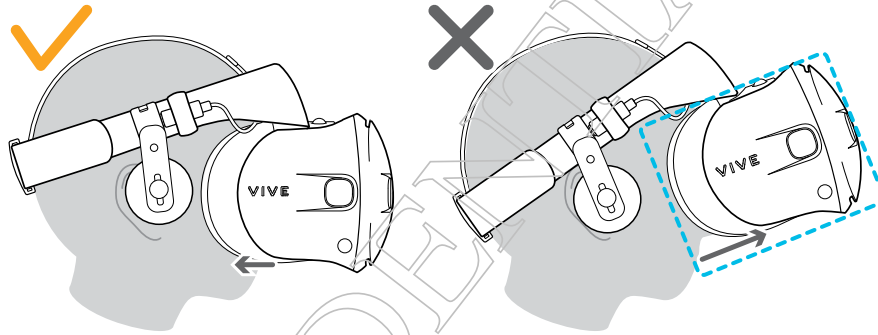
3. Hold the visor to your eyes, and then pull down the band around the back of your head. You'll hear a click when it locks into place.



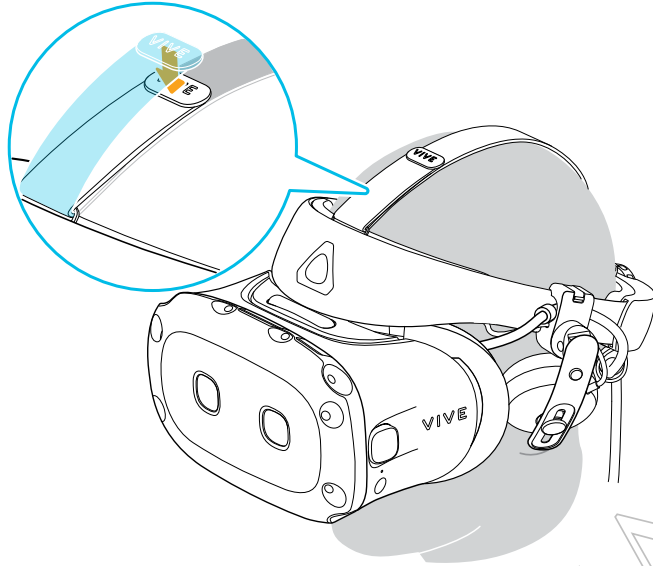
4. Turn the adjustment dial clockwise until the headset fits snugly.



Make sure that the visor faces straight ahead. If the band sits too low on the back of your head, the visor will be tilted. If there's light leakage around the areas of your nose or cheeks, adjust the position of the band.



5. Adjust the top strap until snug, and then fasten the velcro strap.



If there's light leakage around the areas of your nose or cheeks, readjust the strap and reposition the band.

6. Make sure that the headset cable runs straight down your back.

Can I wear my prescription glasses while using VIVE Cosmos?

Most glasses fit inside the headset.

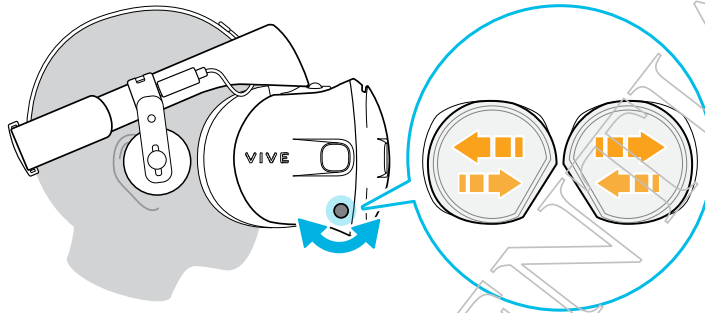


Make sure that no part of your glasses scratch the headset lenses.

Adjusting the IPD on the headset

Interpupillary distance (IPD) is the distance between the centers of your pupils. A quick way to get an estimate is by facing a mirror and holding a millimeter ruler against your brow. Use this measurement as a guide to adjust the distance between the lenses of the headset so that you'll have a better viewing experience.

To increase the distance between the lenses, rotate the IPD knob clockwise. To decrease, rotate the IPD knob counterclockwise.

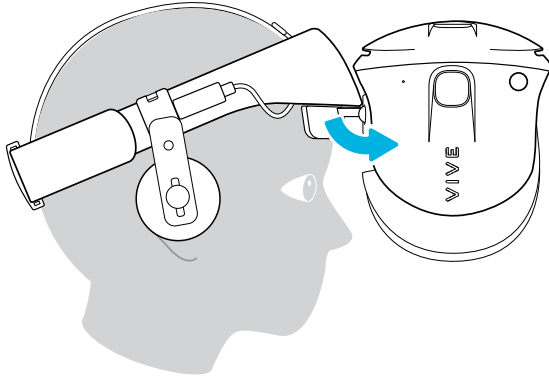


As you adjust the IPD, you'll see a prompt indicating the current distance between the centers of the lenses.

Flipping up the visor

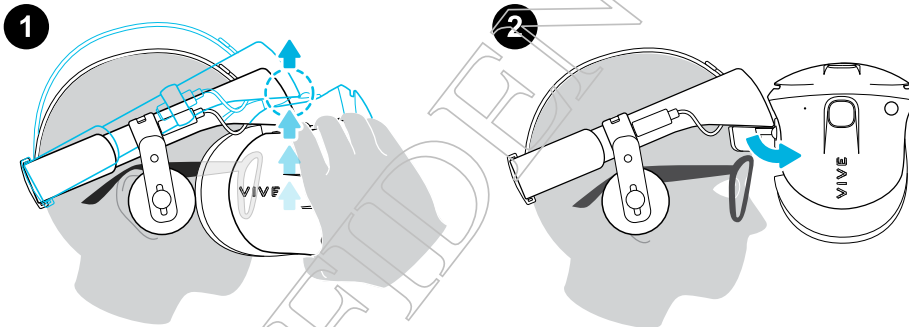
Quickly take a break from VR to check your surroundings.

While wearing VIVE Cosmos, hold the visor with one or both hands, and then gently flip it up.



To return it to its original position, tilt the visor down until it completely covers your eyes.

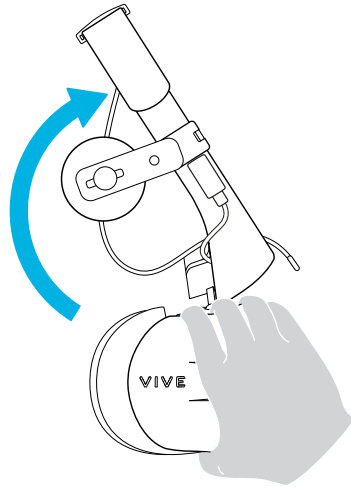
If you wear large glasses, you may need to adjust the headset to sit higher on your head when flipping the visor up or down.



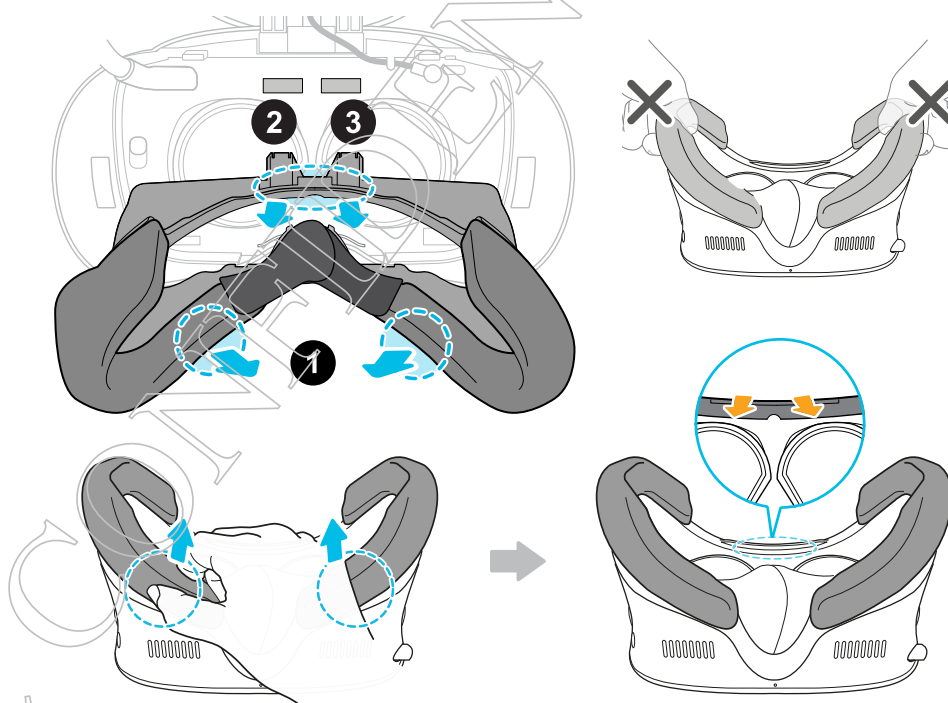
Connecting a USB device to VIVE Cosmos

You can connect a compatible USB Type-C device to VIVE Cosmos using a USB cable.

1. While holding the visor with one hand, pull up the band.

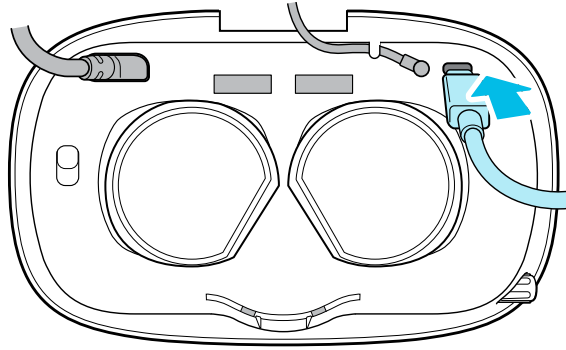


2. Detach the face cushion frame from the headset. To release the frame from its latches, gently pull on any side of the frame starting from the bottom, and then pull one side at a time on the top.

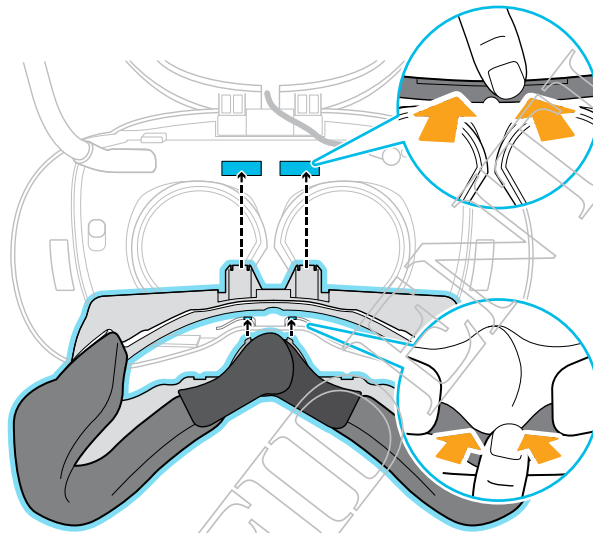


Avoid pulling or squeezing on the sides of the face cushion frame to prevent damaging the frame.

3. Insert the cable connector of the device into the USB Type-C port on the headset.



4. Align and push the tabs on the face cushion frame into their corresponding slots on the headset. Make sure to position the ridge of the face cushion frame below the headset, audio, and USB cables. You'll hear a click when the face cushion frame locks in place.

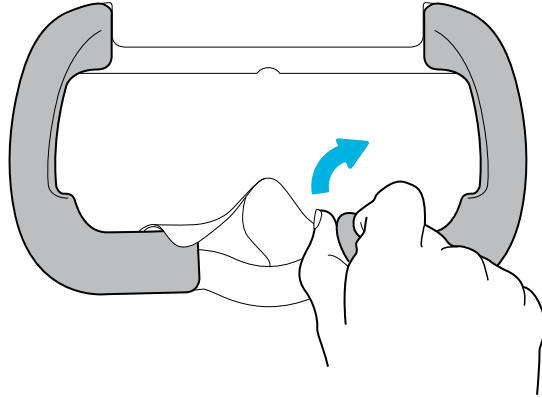


5. Connect the other end of the USB cable to USB Type-C device.

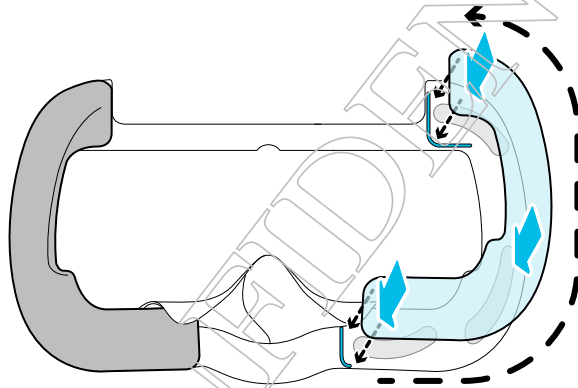
Removing the face cushions

You can remove the face cushions for cleaning.

1. To remove the face cushions, gently peel starting from the bottom ends of each face cushion until they detach from the face cushion frame.



2. To reattach, align one end of the face cushion with the marker on the bottom part of the face cushion frame. Press down the face cushion against the outline of the frame, and then check that the other end of the face cushion lines up with the marker on the top part of the frame.

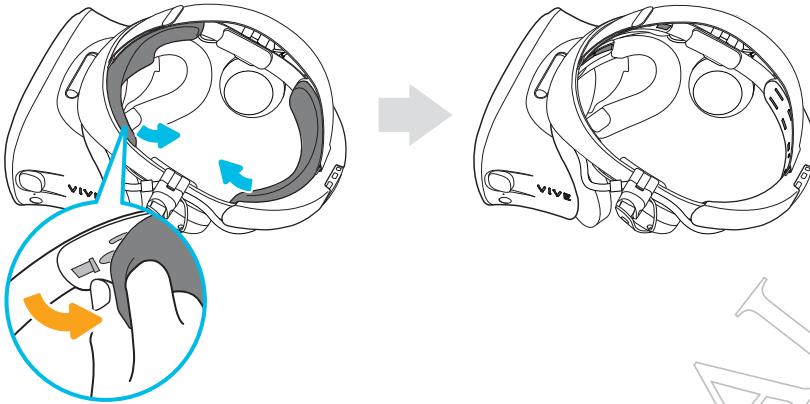


Make sure that the velcro and adhesive strips attach firmly.

Removing the front and back pads

You can remove the front and back pads from the headset band for cleaning.

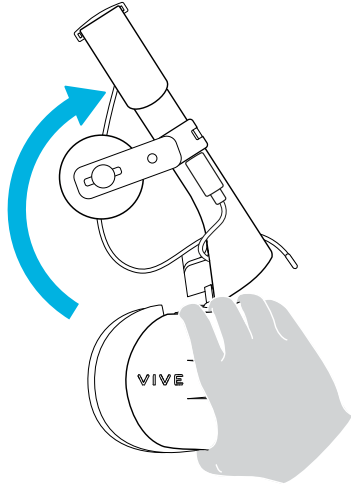
To remove the front and back pads, peel starting from the ends of each pad until they detach from the headset band.



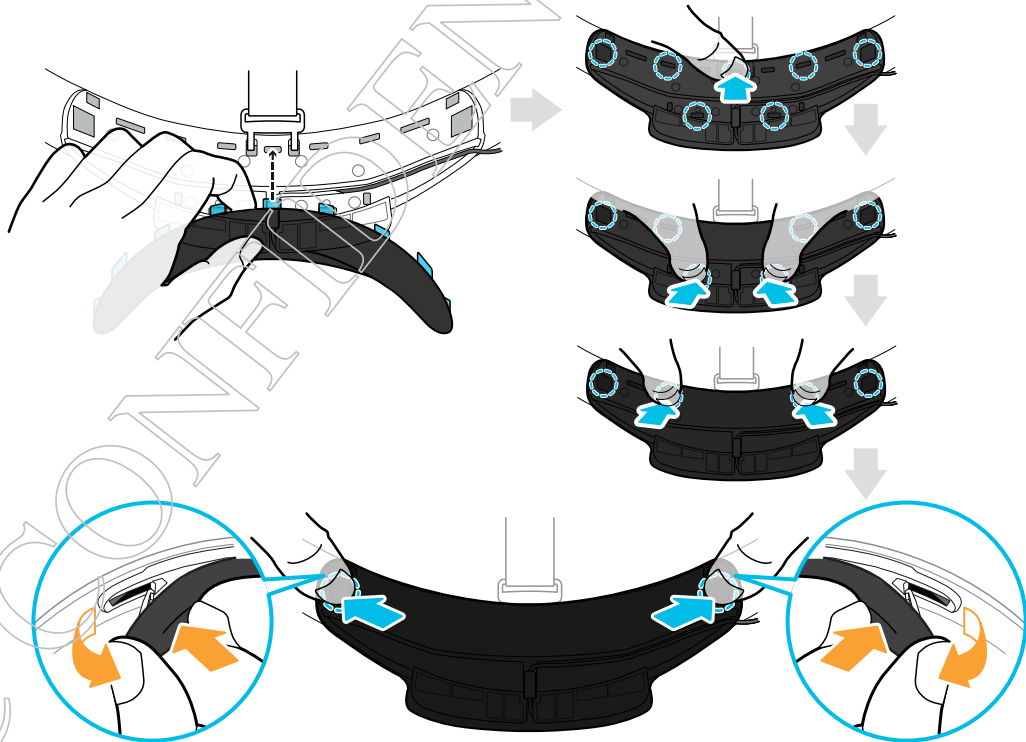
Reattaching the front and back pads to the headset

Always make sure that the front and back pads are attached to the headset.

1. While holding the visor with one hand, pull up the band.



2. Starting from the middle, align the front pad tabs with their corresponding slots on the band, and then press along the front pad. You may need to gently bend the ends of the front pad to align the outermost tabs with the slots on the band.



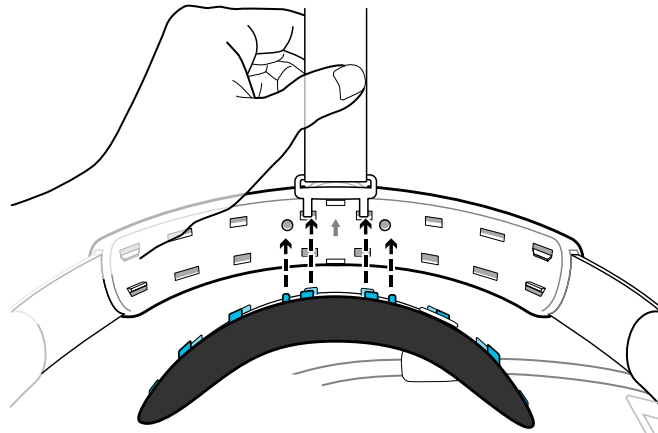
Make sure to minimize the gap between the pad and the band and that all tabs are fully locked into place.

3. Align the back pad tabs with their corresponding slots on the band, and then press along the back pad to reattach.



Check that the headset cable strip is properly attached. For details, see [Reattaching the headset cable strip to the back pad](#) on page 18.

You'll hear a click when the tabs are inserted.

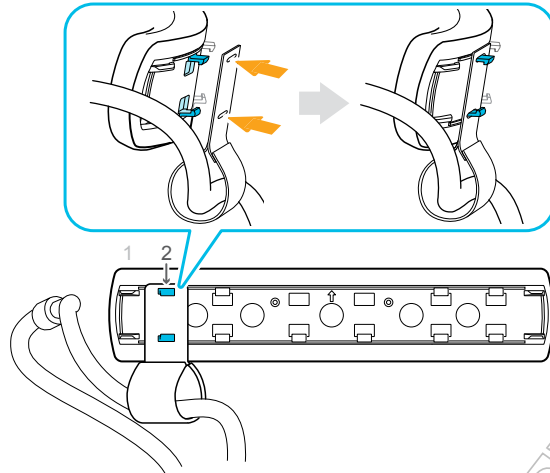


Make sure to minimize the gap between the pad and the band.

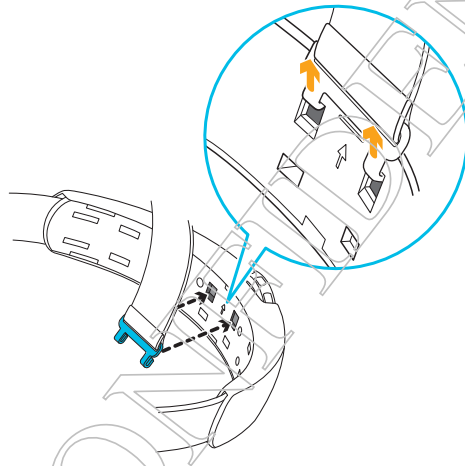
Reattaching the headset cable strip to the back pad

The fabric strip guides the headset cable, and is inserted on the back pad.

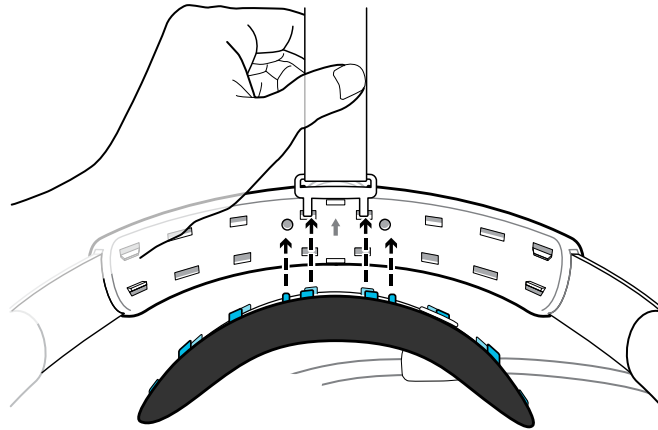
1. Insert the back pad tabs second to the left-most corner tabs into the holes of the headset cable strip with its flap down. Make sure that the strip is firmly attached.



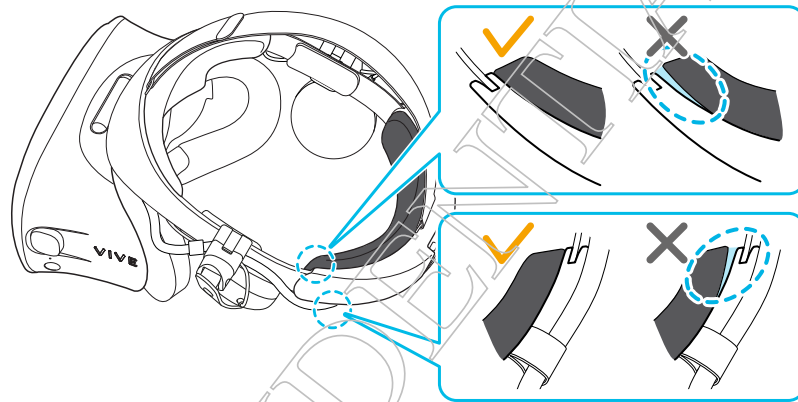
2. Reattach the top strap to the headset band. For details, see [Attaching the top strap to the headset band](#) on page 21.



3. Align the back pad tabs with their corresponding slots on the band, and then press along the back pad to reattach. You'll hear a click when the tabs are inserted.



4. Make sure to minimize the gap between the pad and the band.



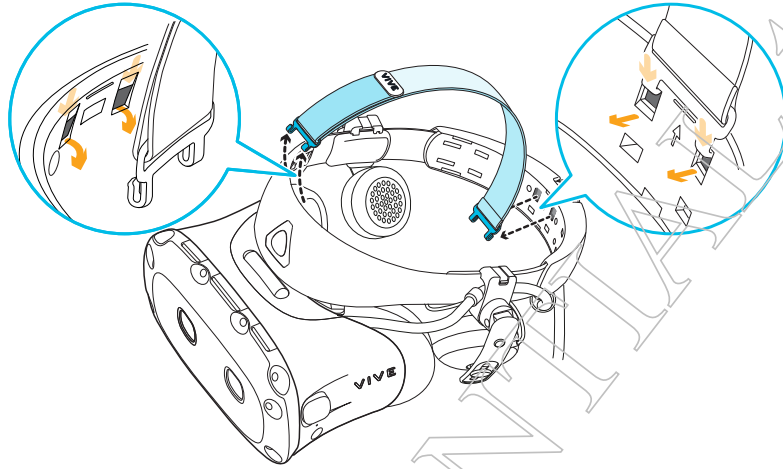
Detaching the top strap from the headset band

If you want to, you can detach the top strap from the headset band.



You'll need to first remove the front and back pads on the headset. For details, see [Removing the front and back pads](#) on page 15.

1. Starting from the rear of the headset band, pull down the strap to unhook it.
2. On the other end of the strap, pull down and out the strap to unhook it.



3. Reattach the front and back pads to the headset. For details, see [Reattaching the front and back pads to the headset](#) on page 16.

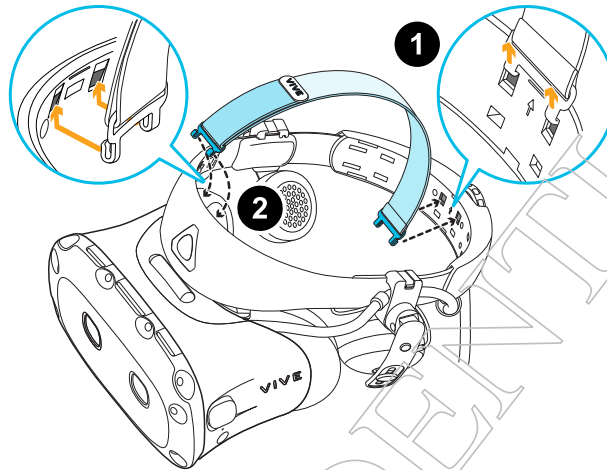
Attaching the top strap to the headset band

For added comfort, attach the top strap before wearing the headset. You can adjust the top strap by using the velcro strip.



You'll need to first remove the front and back pads on the headset. For details, see [Removing the front and back pads](#) on page 15.

1. Starting from the rear of the headset band, align the hooks of the top strap (side without the clasp) to its corresponding slots. Gently pull up the strap to hook into place.
2. Align and insert the hooks on the other end of the top strap with the inner slots of the headset band, and then pull up on the strap to hook into place.

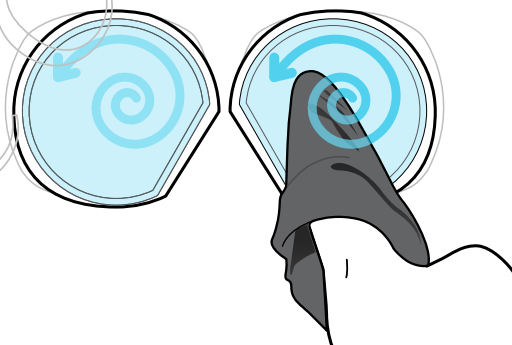


3. Reattach the front and back pads to the headset. For details, see [Reattaching the front and back pads to the headset](#) on page 16.

Cleaning the headset lenses

1. Use the cleaning cloth provided in the box to wipe the lenses.
2. Wipe in a circular motion from the center to the outer edges of the lenses.

While cleaning the lenses, do not scratch the lenses nor disassemble other parts of the headset.



Cleaning the face cushions

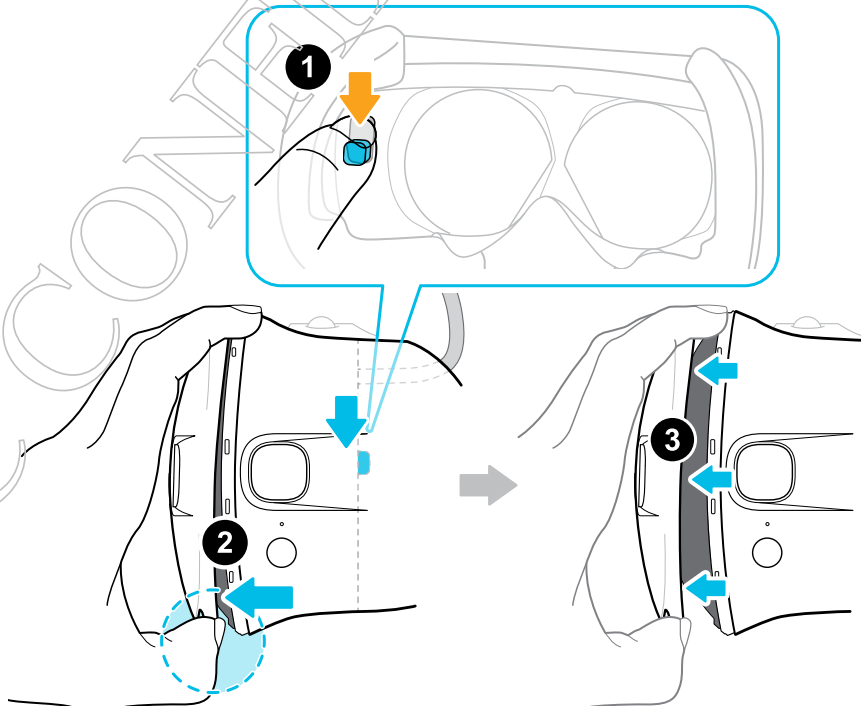
1. Before cleaning the face cushions, remove it first from the VIVE Cosmos headset.
2. When cleaning the face cushions, remember to:
 - Dampen a clean smooth cloth with cold water and gently wipe the area you want to clean.
 - Air dry at room temperature. Don't tumble dry, iron, or expose it to direct sunlight.
 - Don't scrub, wring, or bleach.
 - Don't dip or soak in water.



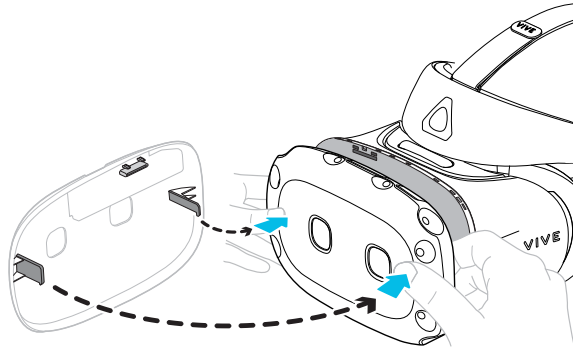
Replacing the front cover

You can replace the front cover on the headset.

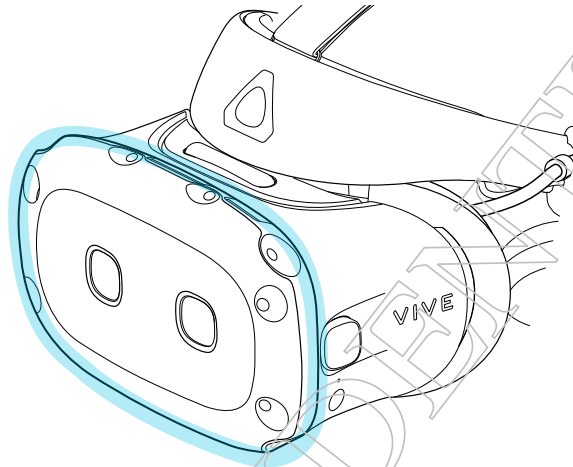
1. Slide down and hold the lock button inside the compartment to unlatch the front cover.
2. Pry open the front cover starting from the bottom right corner with the visor facing you.
3. Carefully pull out the front cover until it detaches from the visor.



4. Insert the tabs on the replacement front cover into the slots on the visor, and then press down on the front cover.



5. Make sure to minimize the gap between the front cover and the visor, and that all tabs are fully locked into place.



You'll hear a click when the front cover locks in place.

What does the status light on the headset mean?

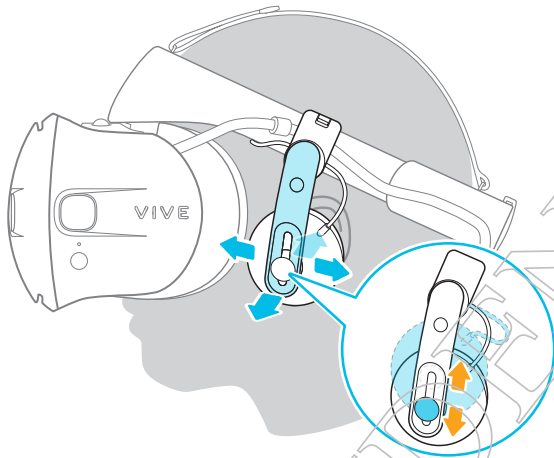
The status light turns:

- Green when the headset is in normal mode
- Dim green when the headset is on standby
- Red when the headset is in sleep mode

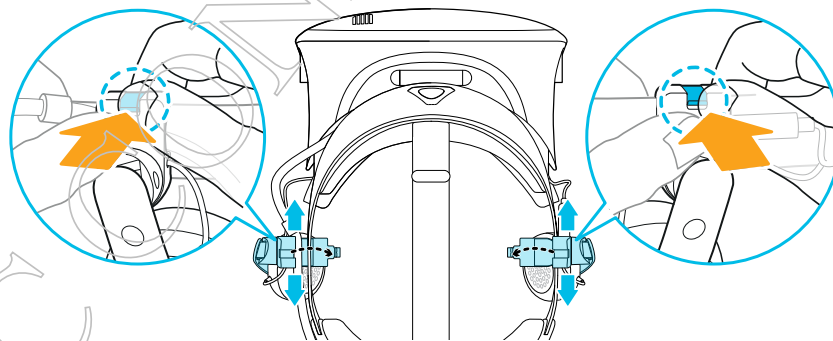
Headphones

Adjusting the fit of the on-ear headphones

While wearing the VIVE Cosmos headset, adjust the on-ear headphones to a comfortable position over your ears, then press the headphones into place.



Is the fit too loose or tight? In case you feel pressure around your temples, adjust the position of the on-ear headphones for a more comfortable fit. To do so, flip open the metal clasp on each headphone and reposition the headphone clip on the headset band.



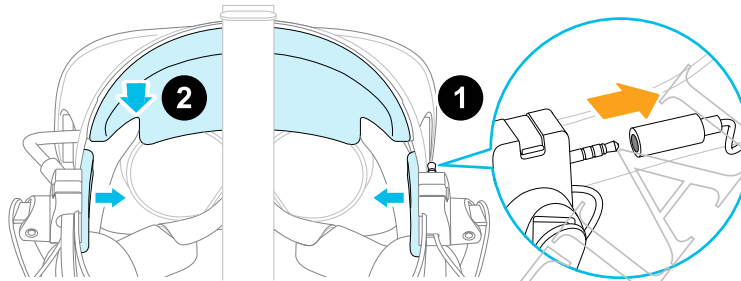
Detaching the on-ear headphones from the headset band



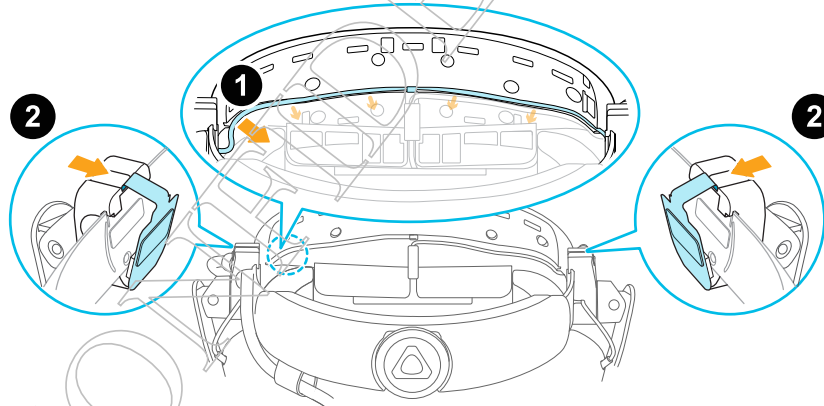
To use your own earphones with VIVE Cosmos, you'll need the replacement kit for earphones. For details on how to order the kit, contact customer care.

Before using your own earphones, you first need to detach the on-ear headphones from the headset band.

1. On the right side of the band, disconnect the audio plug from the audio cable connector.
2. Remove the side cushions and front pad from the headset band. For details, see [Removing the front and back pads](#) on page 15.



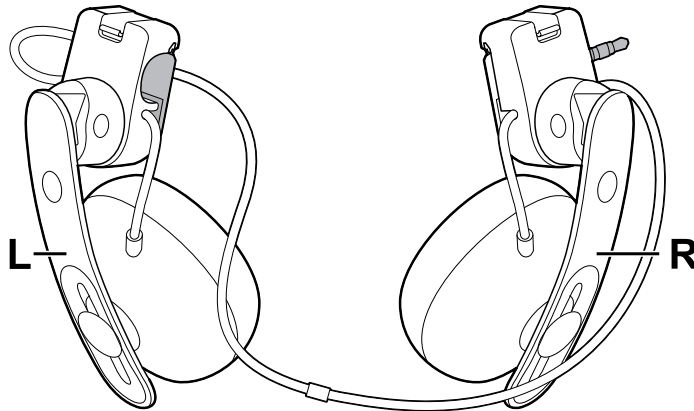
3. On the front section of the band, carefully pull out the cable of the on-ear headphones from the groove.
4. On the left and right sides of the band, flip open the metal clasp of each headphone to detach it.



After detaching the on-ear headphones, you need to attach cable guides before plugging in your own earphones. For details, see [Attaching the cable guides to the headset band](#) on page 34.

Reattaching the on-ear headphones to the headset band

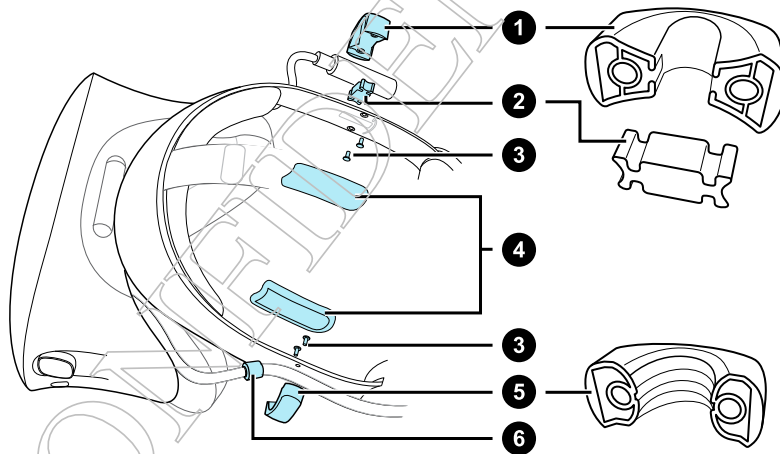
You can reattach the on-ear headphones if you've used your own earphones with VIVE Cosmos.



Before attaching the on-ear headphones to the headset band, do the following:

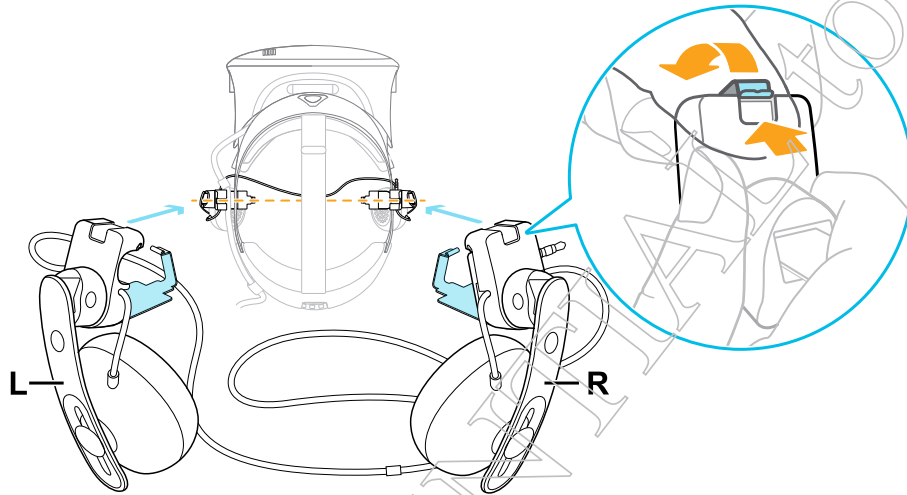
1. Remove the cable guides, screws, and rubber pad, which are part of the replacement kit for earphones, as well as the side cushions from the headset band. For details, see [Detaching the cable guides from the headset band](#) on page 35.

Use a cross-shaped screwdriver (PH00) to detach the screws. Make sure to keep these parts in a safe place.



1. Audio cable guide
2. Rubber pad
3. Screws
4. Side cushions
5. Headset cable guide
6. Cable stopper

2. Flip open the metal clasps on the left and right on-ear headphones.

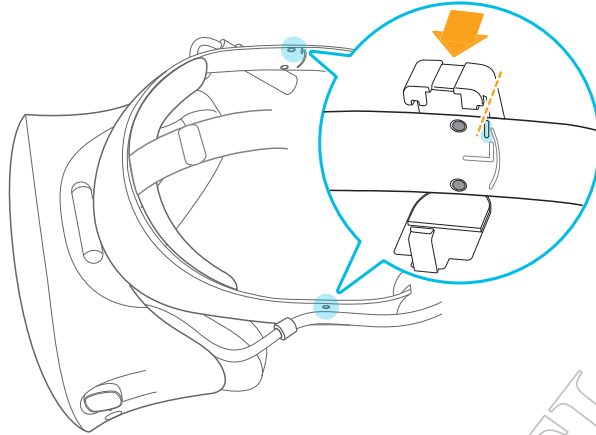


Attaching the right on-ear headphone

Attach the right headphone with the audio plug to the right side of the headset band.

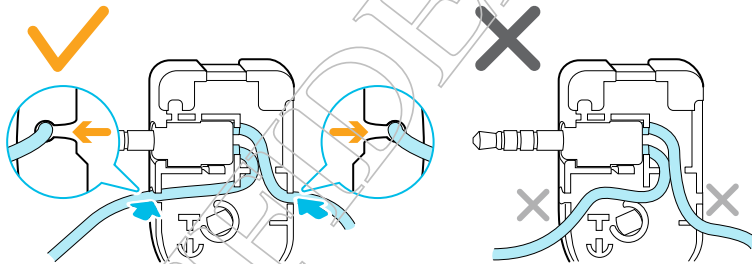
1. Hook the headphone clip over the top of the band.

The screw holes and line marker on the band are helpful guides for positioning the clip.

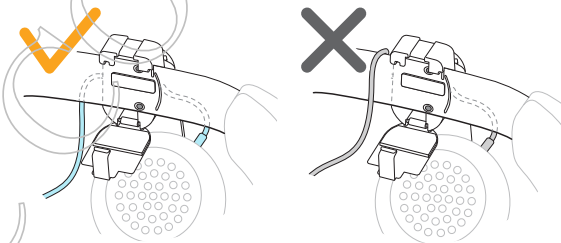


While the clasp is loose, you can reposition the headphone clip for a more comfortable fit. Just make sure that the other clip is similarly placed on its side of the band.

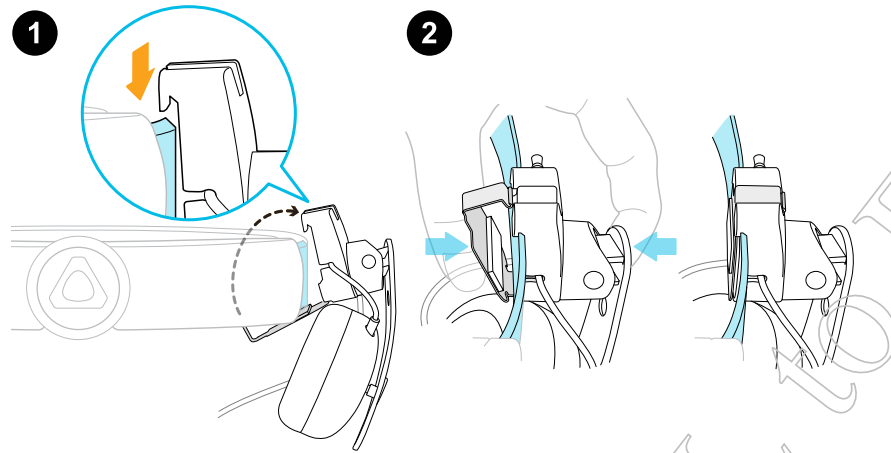
2. Make sure the audio cable is firmly pressed and not falling out of the groove.



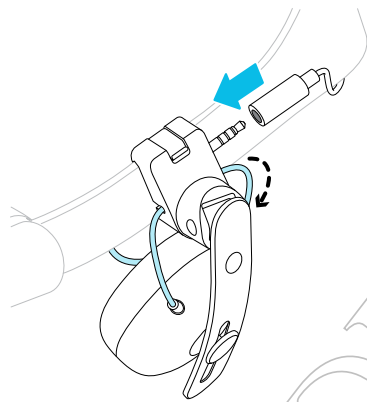
3. Make sure the audio cable runs under the band, and not over the top. Check that it isn't also wedged between the clip and the band.



4. Close the clasp around the band, and then snap into place.



5. Connect the audio cable connector to the headphone plug.

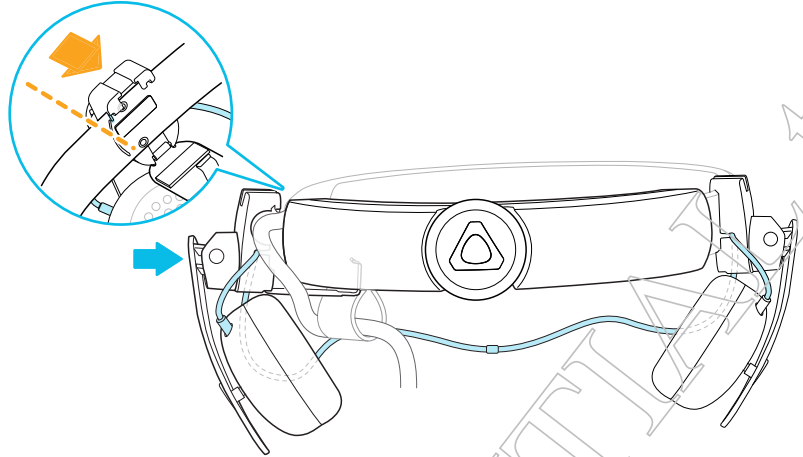


Attaching the left on-ear headphone

Attach the left headphone to the left side of the headset band.

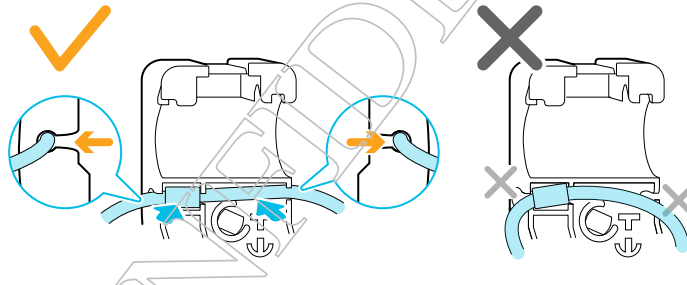
1. Pin the headset cable along the cable guide on the left headphone.
2. Hook the headphone clip over the top of the band.

The screw holes and line marker on the band are helpful guides for positioning the clip.

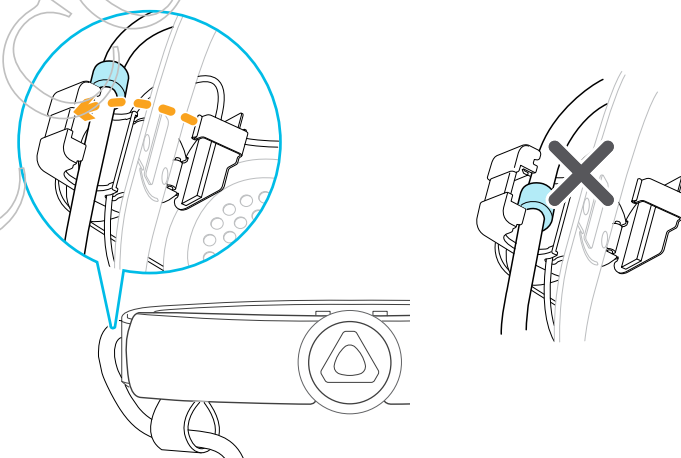


While the clasp is loose, you can reposition the headphone clip for a more comfortable fit. Make sure that the other clip is similarly placed on its side of the band.

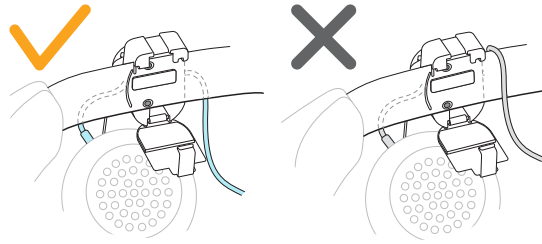
3. Make sure the audio cable is firmly pressed in place and not falling out of the groove.



4. Make sure that the stopper on the headset cable isn't caught in the clasp, and is on the visor side to prevent damage to the visor while gaming.



5. Make sure the audio cable runs under the band, and not over the top. Check that it isn't also wedged between the clip and the band.



6. Close the clasp around the band and snap into place.

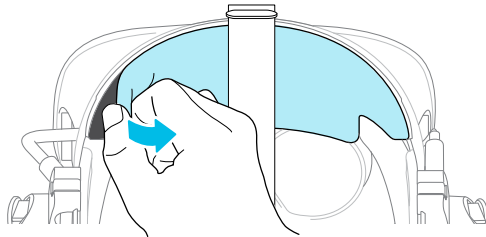
HTC CONFIDENTIAL TO FCC

HTC PROPRIETARY & CONFIDENTIAL. DO NOT DUPLICATE OR DISTRIBUTE WITHOUT PERMISSION.

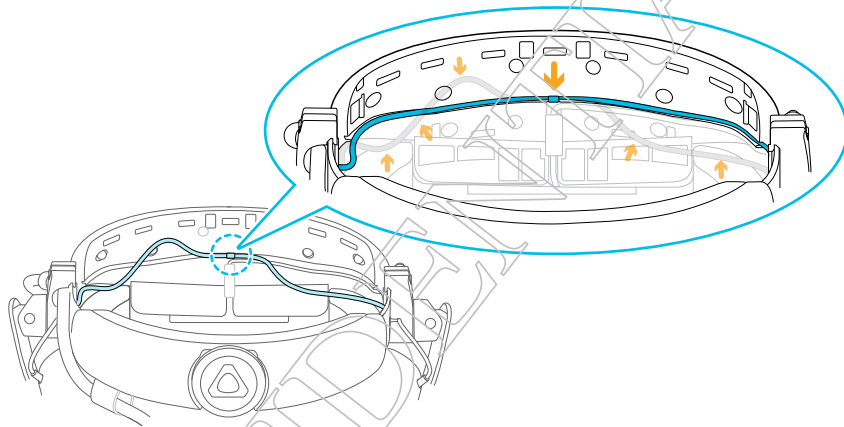
Attaching the headphone audio cable

After the left and right on-ear headphones have been attached, attach the headphone audio cable to the headset band.

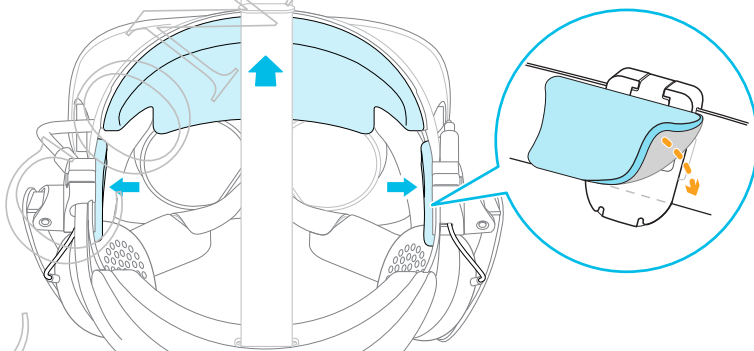
1. Remove the front pad from the headset band. For details, see [Removing the front and back pads](#) on page 15.



2. On the front section of the band, press the audio cable marker into the slot at the center. Then press the cable along the groove until flush with the band.



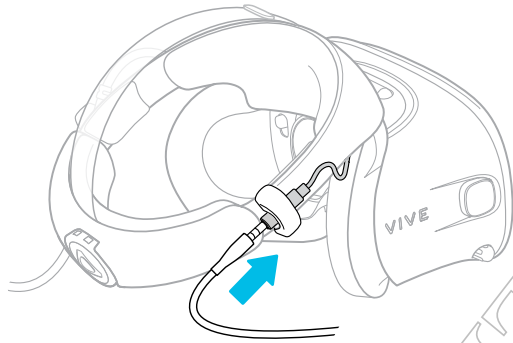
3. Reattach the front pad and side cushions to the headset band. Make sure that the side cushions cover the metal clasps on the band.



Plugging in your earphones

If you prefer, you can use your own earphones with VIVE Cosmos. To do this, you'll need the replacement kit for earphones. Contact customer care for details on how to order it.

1. Detach the on-ear headphones. For details, see [Detaching the on-ear headphones from the headset band](#) on page 25.
2. Attach the cable guides to the headset band. For details, see [Attaching the cable guides to the headset band](#) on page 34.
3. Insert the earphone plug into the 3.5mm audio cable connector on the right side of the headset band.



Attaching the cable guides to the headset band



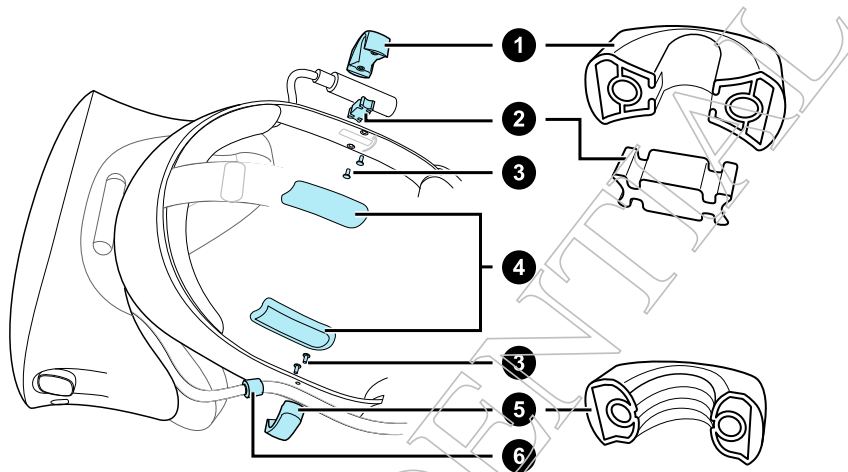
To use your own earphones with VIVE Cosmos, you'll need the replacement kit for earphones. For details on how to order the kit, contact customer care.

Before plugging in your earphones, you need to attach the audio cable guide and headset cable guide to the headset band. The cable guides are included in the replacement kit for earphones.



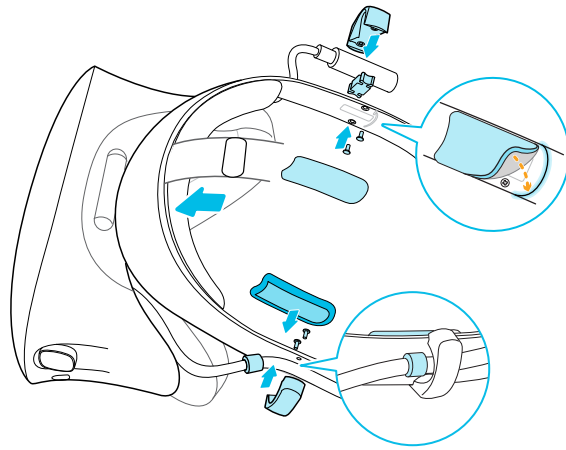
Before you attach the cable guides, make sure to remove the on-ear headphones from the headset band, including the front pad and side cushions. For details, see [Detaching the on-ear headphones from the headset band](#) on page 25.

Use a cross-shaped screwdriver (PH00) to attach the screws.



1. Audio cable guide
2. Rubber pad
3. Screws
4. Side cushions
5. Headset cable guide
6. Cable stopper

1. On the right side of the band, place the audio connector between the rubber pad and audio cable guide. Align the holes on the band, rubber pad, and audio cable guide, and then screw in place.
2. On the left side of the band, align the headset cable guide holes with the holes on the band, then screw in place. Make sure that the headset cable passes through the headset cable guide. The stopper on the headset cable must also be placed on the visor side of the cable guide.
3. Reattach the front pad and side cushions to the headset band. Make sure that each side cushion is aligned with the curvature on the band.



After attaching the cable guides, you can now plug in the earphones. For details, see [Plugging in your earphones](#) on page 33.

Detaching the cable guides from the headset band

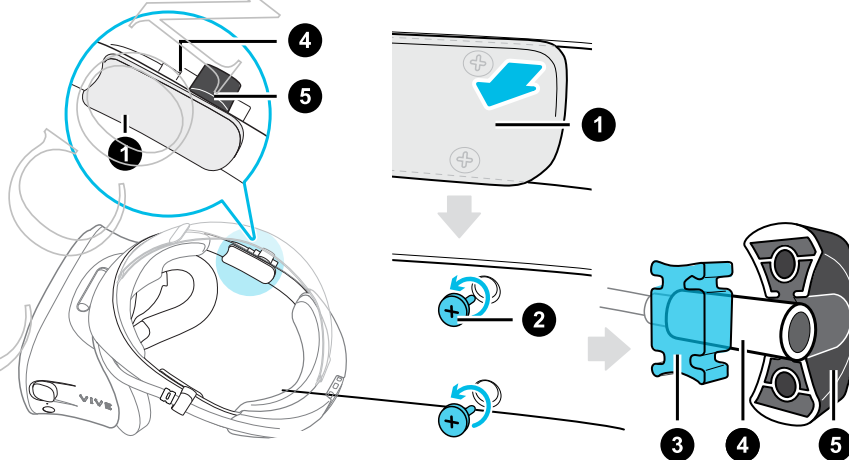
If you want to reattach the on-ear headphones, you first need to detach the audio cable guide and headset cable guide from the headset band. The cable guides are included in the replacement kit for earphones. For details on how to order the replacement kit for earphones, contact customer care.

Make sure to keep these parts in a safe place.

Detaching the audio cable guide

You can remove the audio cable guide from the right side of the band.

1. Remove the side cushion.
2. Remove the screws using a cross-shaped screwdriver (PH00).
3. Remove the rubber pad that holds the audio cable connector against the audio cable guide.

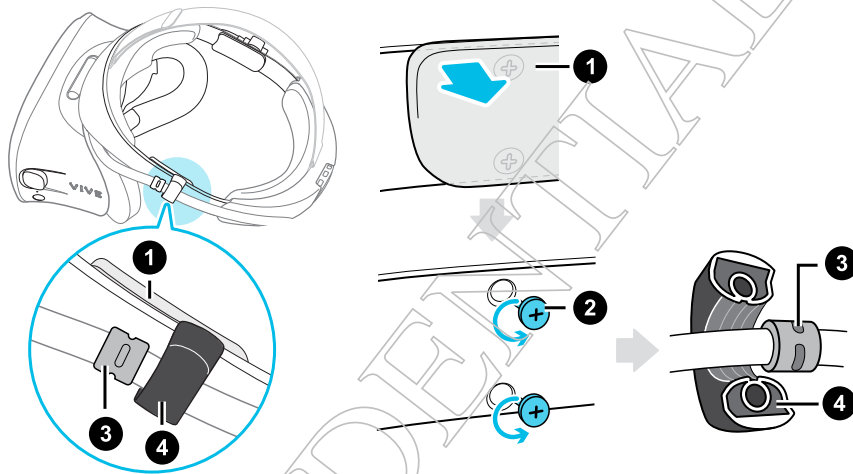


1. Side cushion
2. Screws
3. Rubber pad
4. Audio connector
5. Audio cable guide

Detaching the headset cable guide

You can remove the headset cable guide from the left side of the band

1. Remove the side cushion.
2. Remove the screws using a cross-shaped screwdriver (PH00).
3. Detach the headset cable guide.



1. Side cushion
2. Screws
3. Cable stopper
4. Headset cable guide

Trademarks and copyrights

©2019 HTC Corporation. All Rights Reserved.

VIVE, the VIVE logo, VIVEPORT, the VIVEPORT logo, HTC, the HTC logo, and all other HTC product and service names are trademarks and/or registered trademarks of HTC Corporation and its affiliates in the U.S. and other countries.

Steam, the Steam logo and SteamVR are trademarks and/or registered trademarks of Valve Corporation in the U.S. and/or other countries.

All other trademarks and service marks mentioned herein, including company names, product names, service names and logos, are the property of their respective owners and their use herein does not indicate an affiliation with, association with, or endorsement of or by HTC Corporation. Not all marks listed necessarily appear in this User Guide.

Screen images contained herein are simulated. HTC shall not be liable for technical or editorial errors or omissions contained herein, nor for incidental or consequential damages resulting from furnishing this material. The information is provided "as is" without warranty of any kind and is subject to change without notice. HTC also reserves the right to revise the content of this document at any time without prior notice.

No part of this document may be reproduced or transmitted in any form or by any means, electronic or mechanical, including photocopying, recording or storing in a retrieval system, or translated into any language in any form without prior written permission of HTC.

Index

C

Cable guides

- attaching *34*
- detaching *35*

H

Headset

- adjusting the IPD *10*
- cleaning the lenses *21*
- connecting a USB device *12*
- front cover *22*
- putting on *6*
- replacing the face cushion *14*
- status lights *24*

O

On-ear headphones

- adjusting *24*
- attaching *28, 30*
- detaching *25*