

#01_WLAN2.4GHz_802.11b 1Mbps_Left Neck_0mm_Ch11;Ant 1

Communication System: 802.11b ; Frequency: 2462 MHz;Duty Cycle: 1:1.01

Medium: HSL_2450_180308 Medium parameters used: $f = 2462$ MHz; $\sigma = 1.759$ S/m; $\epsilon_r = 38.074$; $\rho = 1000$ kg/m³

Ambient Temperature : 23.6 °C ; Liquid Temperature : 22.6 °C

DASY5 Configuration

- Probe: EX3DV4 - SN3931; ConvF(7.62, 7.62, 7.62); Calibrated: 2017/9/29;
- Sensor-Surface: 1.4mm (Mechanical Surface Detection)
- Electronics: DAE4 Sn1399; Calibrated: 2017/11/16
- Phantom: SAM_Left; Type: QD000P40CD; Serial: S/N:1801
- Measurement SW: DASY52, Version 52.8 (8); SEMCAD X Version 14.6.10 (7373)

Area Scan (71x151x1): Interpolated grid: dx=1.200 mm, dy=1.200 mm

Maximum value of SAR (interpolated) = 0.265 W/kg

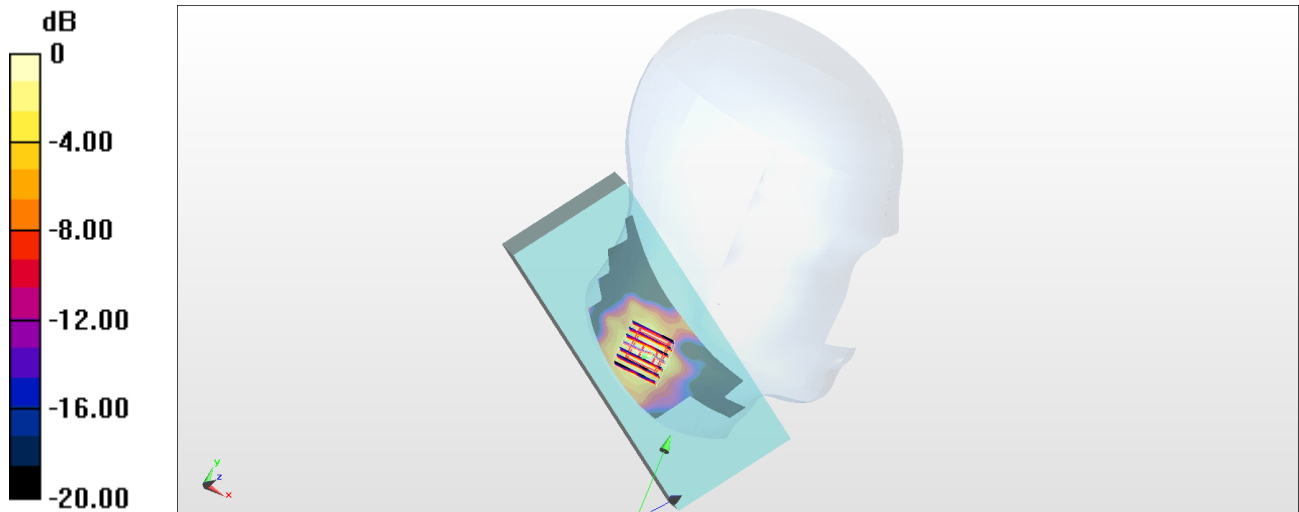
Zoom Scan (7x7x7)/Cube 0: Measurement grid: dx=5mm, dy=5mm, dz=5mm

Reference Value = 9.133 V/m; Power Drift = -0.16 dB

Peak SAR (extrapolated) = 0.311 W/kg

SAR(1 g) = 0.168 W/kg; SAR(10 g) = 0.081 W/kg

Maximum value of SAR (measured) = 0.260 W/kg



0 dB = 0.260 W/kg = -5.85 dBW/kg

#02_WLAN5GHz_802.11n-HT40 MCS0_Left Neck_Ch62;Ant 1

Communication System: 802.11n; Frequency: 5310 MHz; Duty Cycle: 1:1.042

Medium: HSL_5G_180403 Medium parameters used: $f = 5310$ MHz; $\sigma = 4.668$ S/m; $\epsilon_r = 37.342$; $\rho = 1000$ kg/m³

Ambient Temperature : 23.5 °C ; Liquid Temperature : 22.5 °C

DASY5 Configuration:

- Probe: EX3DV4 - SN3931; ConvF(5.34, 5.34, 5.34); Calibrated: 2017/9/29;
- Sensor-Surface: 1.4mm (Mechanical Surface Detection)
- Electronics: DAE4 Sn1399; Calibrated: 2017/11/16
- Phantom: SAM_Left; Type: QD000P40CD; Serial: TP:1815
- Measurement SW: DASY52, Version 52.8 (8); SEMCAD X Version 14.6.10 (7373)

Area Scan (71x181x1): Interpolated grid: dx=1.000 mm, dy=1.000 mm

Maximum value of SAR (interpolated) = 0.588 W/kg

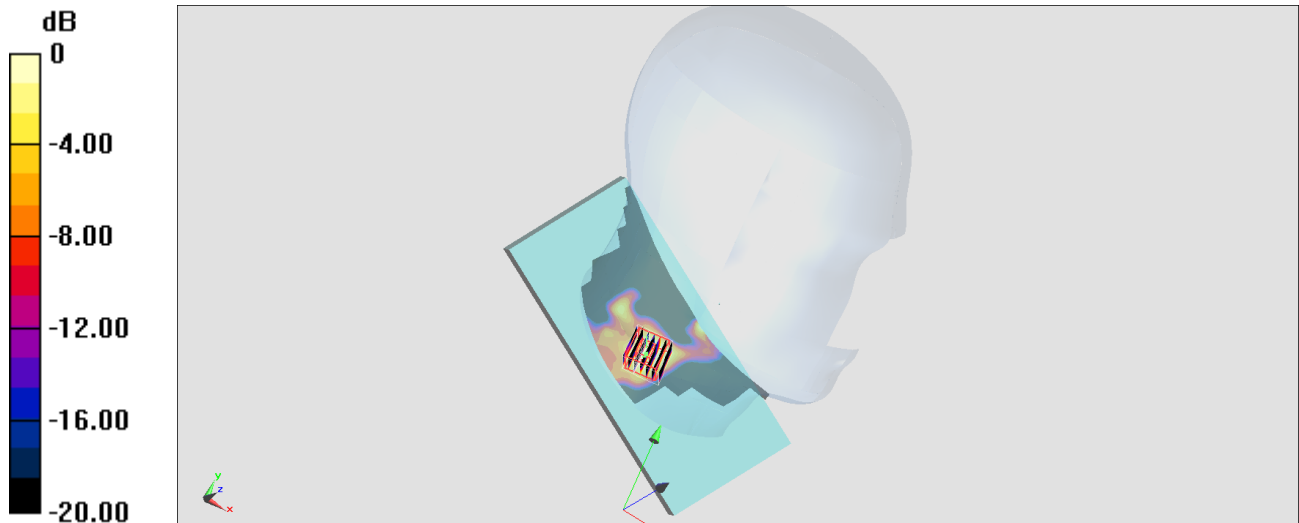
Zoom Scan (7x7x7)/Cube 0: Measurement grid: dx=4mm, dy=4mm, dz=1.4mm

Reference Value = 1.162 V/m; Power Drift = 0.04 dB

Peak SAR (extrapolated) = 0.905 W/kg

SAR(1 g) = 0.204 W/kg; SAR(10 g) = 0.061 W/kg

Maximum value of SAR (measured) = 0.603 W/kg



0 dB = 0.603 W/kg = -2.20 dBW/kg

#03_WLAN5GHz_802.11ac-VHT80 MCS0_Left Neck_Ch138;Ant 1

Communication System: 802.11ac; Frequency: 5690 MHz; Duty Cycle: 1:1.091

Medium: HSL_5G_180309 Medium parameters used: $f = 5690$ MHz; $\sigma = 5.05$ S/m; $\epsilon_r = 36.718$; $\rho = 1000$ kg/m³

Ambient Temperature : 23.3 °C ; Liquid Temperature : 22.3 °C

DASY5 Configuration

- Probe: EX3DV4 - SN3931; ConvF(4.47, 4.47, 4.47); Calibrated: 2017/9/29;
- Sensor-Surface: 1.4mm (Mechanical Surface Detection)
- Electronics: DAE4 Sn1399; Calibrated: 2017/11/16
- Phantom: SAM_Left; Type: QD000P40CD; Serial: S/N:1801
- Measurement SW: DASY52, Version 52.8 (8); SEMCAD X Version 14.6.10 (7373)

Area Scan (71x181x1): Interpolated grid: dx=1.000 mm, dy=1.000 mm

Maximum value of SAR (interpolated) = 0.904 W/kg

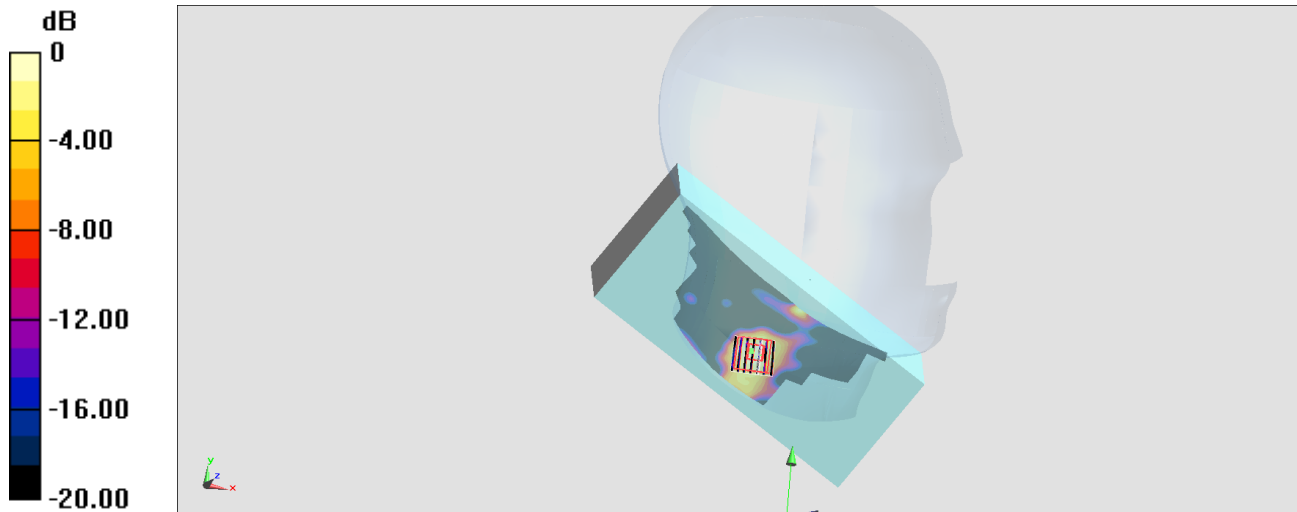
Zoom Scan (7x7x7)/Cube 0: Measurement grid: dx=4mm, dy=4mm, dz=1.4mm

Reference Value = 2.213 V/m; Power Drift = 0.18 dB

Peak SAR (extrapolated) = 1.40 W/kg

SAR(1 g) = 0.317 W/kg; SAR(10 g) = 0.102 W/kg

Maximum value of SAR (measured) = 0.910 W/kg



0 dB = 0.910 W/kg = -0.41 dBW/kg

#04_WLAN5GHz_802.11ac-VHT80 MCS0_Left Neck_Ch155;Ant 1

Communication System: 802.11ac ; Frequency: 5775 MHz;Duty Cycle: 1:1.091

Medium: HSL_5G_180309 Medium parameters used: $f = 5775$ MHz; $\sigma = 5.144$ S/m; $\epsilon_r = 36.62$; $\rho = 1000$ kg/m³

Ambient Temperature : 23.3 °C ; Liquid Temperature : 22.3 °C

DASY5 Configuration:

- Probe: EX3DV4 - SN3931; ConvF(4.95, 4.95, 4.95); Calibrated: 2017/9/29;
- Sensor-Surface: 1.4mm (Mechanical Surface Detection)
- Electronics: DAE4 Sn1399; Calibrated: 2017/11/16
- Phantom: SAM_Left; Type: QD000P40CD; Serial: S/N:1801
- Measurement SW: DASY52, Version 52.8 (8);SEMCAD X Version 14.6.10 (7373)

Area Scan (71x181x1): Interpolated grid: dx=1.000 mm, dy=1.000 mm

Maximum value of SAR (interpolated) = 1.07 W/kg

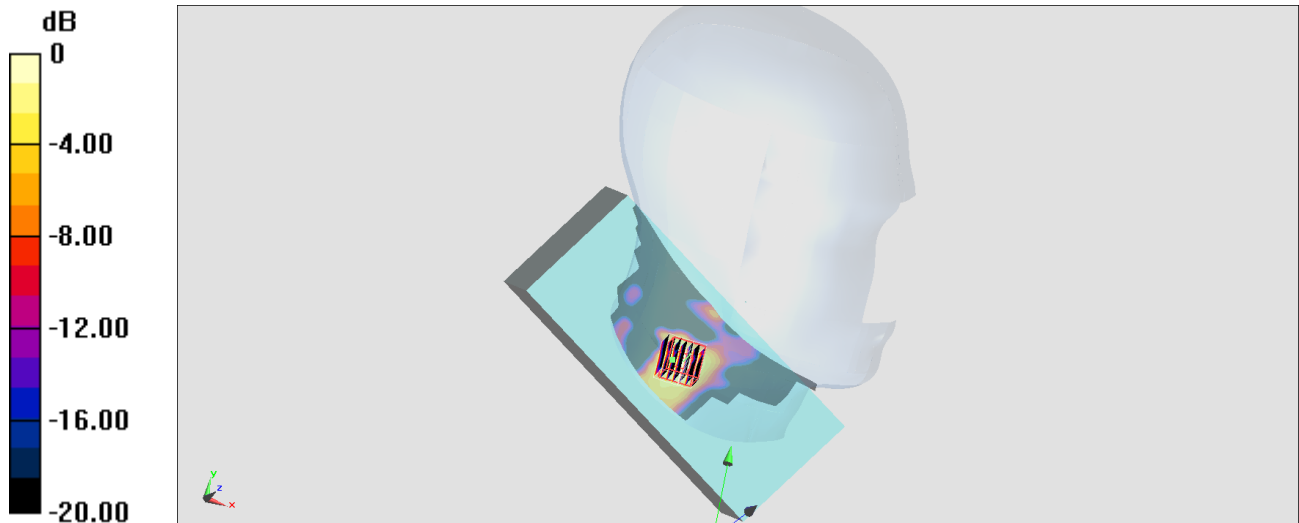
Zoom Scan (7x7x7)/Cube 0: Measurement grid: dx=4mm, dy=4mm, dz=1.4mm

Reference Value = 1.197 V/m; Power Drift = 0.14 dB

Peak SAR (extrapolated) = 1.40 W/kg

SAR(1 g) = 0.348 W/kg; SAR(10 g) = 0.115 W/kg

Maximum value of SAR (measured) = 0.889 W/kg



0 dB = 0.889 W/kg = -0.51 dBW/kg

#05_Bluetooth_1Mbps_Left Neck_0mm_Ch78

Communication System: Bluetooth; Frequency: 2480 MHz; Duty Cycle: 1:1.297

Medium: HSL_2450_180313 Medium parameters used: $f = 2480$ MHz; $\sigma = 1.829$ S/m; $\epsilon_r = 39.76$; $\rho = 1000$ kg/m³

Ambient Temperature : 23.6 °C ; Liquid Temperature : 22.6 °C

DASY5 Configuration:

- Probe: ES3DV3 - SN3169; ConvF(4.5, 4.5, 4.5); Calibrated: 2017/5/11;
- Sensor-Surface: 3mm (Mechanical Surface Detection)
- Electronics: DAE4 Sn853; Calibrated: 2017/7/19
- Phantom: SAM_Left; Type: QD000P40CD; Serial: TP:1815
- Measurement SW: DASY52, Version 52.8 (8); SEMCAD X Version 14.6.10 (7373)

Area Scan (71x151x1): Interpolated grid: dx=1.200 mm, dy=1.200 mm

Maximum value of SAR (interpolated) = 0.0688 W/kg

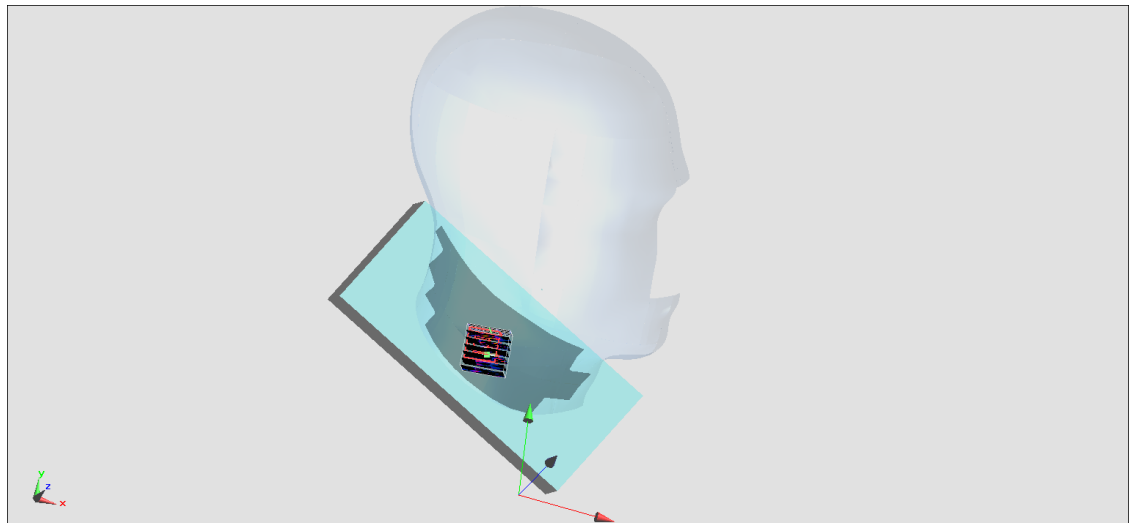
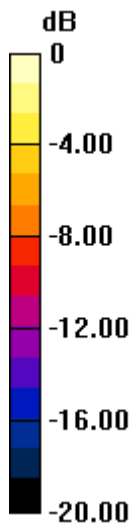
Zoom Scan (7x7x7)/Cube 0: Measurement grid: dx=5mm, dy=5mm, dz=5mm

Reference Value = 0.2290 V/m; Power Drift = -0.01 dB

Peak SAR (extrapolated) = 0.0460 W/kg

SAR(1 g) = 0.00205 W/kg; SAR(10 g) = 0.000288 W/kg

Maximum value of SAR (measured) = 0.0301 W/kg



0 dB = 0.0301 W/kg = -15.21 dBW/kg

#06_WLAN2.4GHz_802.11b 1Mbps_Right Side_0mm_Ch6;Ant 2

Communication System: 802.11b ; Frequency: 2437 MHz;Duty Cycle: 1:1.01

Medium: MSL_2450_180308 Medium parameters used : $f = 2437$ MHz; $\sigma = 1.972$ S/m; $\epsilon_r = 54.528$; $\rho = 1000$ kg/m³

Ambient Temperature : 23.7 °C ; Liquid Temperature : 22.7 °C

DASY5 Configuration

- Probe: EX3DV4 - SN7306; ConvF(7.73, 7.73, 7.73); Calibrated: 2017/7/24;
- Sensor-Surface: 1.4mm (Mechanical Surface Detection)
- Electronics: DAE4 Sn854; Calibrated: 2017/5/2
- Phantom: SAM_Left; Type: QD000P40CD; Serial: S/N:1801
- Measurement SW: DASY52, Version 52.8 (8); SEMCAD X Version 14.6.10 (7373)

Area Scan (101x101x1): Interpolated grid: dx=1.200 mm, dy=1.200 mm

Maximum value of SAR (interpolated) = 0.912 W/kg

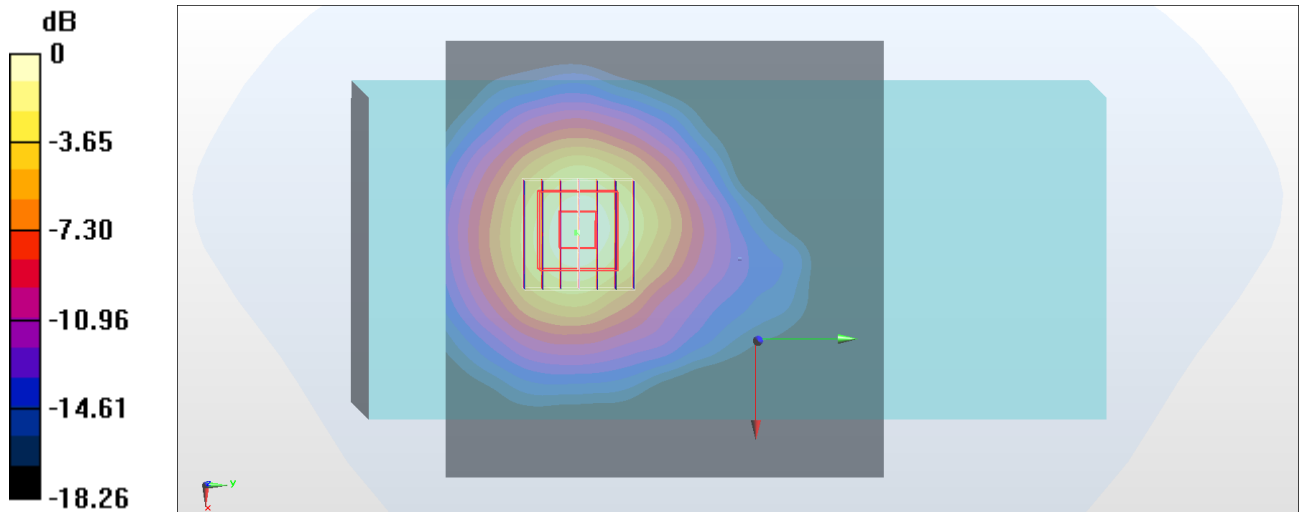
Zoom Scan (7x7x7)/Cube 0: Measurement grid: dx=5mm, dy=5mm, dz=5mm

Reference Value = 21.75 V/m; Power Drift = -0.03 dB

Peak SAR (extrapolated) = 1.15 W/kg

SAR(1 g) = 0.603 W/kg; SAR(10 g) = 0.318 W/kg

Maximum value of SAR (measured) = 0.934 W/kg



0 dB = 0.934 W/kg = -0.30 dBW/kg

#07_WLAN5GHz_802.11n-HT40 MCS0_Left Side_0mm_Ch54;Ant 1

Communication System: 802.11n; Frequency: 5270 MHz; Duty Cycle: 1:1.042

Medium: MSL_5G_180403 Medium parameters used: $f = 5270$ MHz; $\sigma = 5.484$ S/m; $\epsilon_r = 47.701$; $\rho = 1000$ kg/m³

Ambient Temperature : 23.5 °C ; Liquid Temperature : 22.5 °C

DASY5 Configuration:

- Probe: EX3DV4 - SN3925; ConvF(4.59, 4.59, 4.59); Calibrated: 2017/5/24;
- Sensor-Surface: 1.4mm (Mechanical Surface Detection)
- Electronics: DAE4 Sn1424; Calibrated: 2018/1/18
- Phantom: SAM_Right; Type: QD000P40CD; Serial: 1719
- Measurement SW: DASY52, Version 52.8 (8); SEMCAD X Version 14.6.10 (7373)

Area Scan (81x161x1): Interpolated grid: dx=1.000 mm, dy=1.000 mm

Maximum value of SAR (interpolated) = 0.705 W/kg

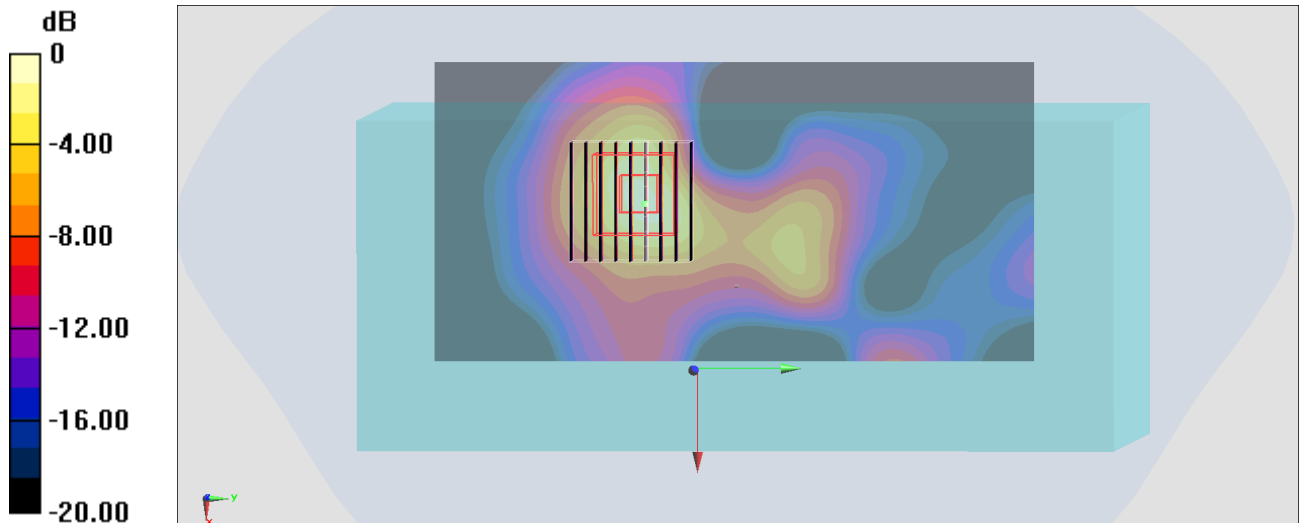
Zoom Scan (9x9x7)/Cube 0: Measurement grid: dx=4mm, dy=4mm, dz=1.4mm

Reference Value = 14.02 V/m; Power Drift = -0.06 dB

Peak SAR (extrapolated) = 1.42 W/kg

SAR(1 g) = 0.389 W/kg; SAR(10 g) = 0.137 W/kg

Maximum value of SAR (measured) = 0.852 W/kg



0 dB = 0.852 W/kg = -0.70 dBW/kg

#08_WLAN5GHz_802.11ac-VHT80 MCS0_Right Side_0mm_Ch138;Ant 2

Communication System: 802.11ac; Frequency: 5690 MHz; Duty Cycle: 1:1.091

Medium: MSL_5G_180309 Medium parameters used: $f = 5690$ MHz; $\sigma = 5.958$ S/m; $\epsilon_r = 46.462$; $\rho = 1000$ kg/m³

Ambient Temperature : 23.3 °C ; Liquid Temperature : 22.3 °C

DASY5 Configuration

- Probe: EX3DV4 - SN3931; ConvF(4.17, 4.17, 4.17); Calibrated: 2017/9/29;
- Sensor-Surface: 1.4mm (Mechanical Surface Detection)
- Electronics: DAE4 Sn1399; Calibrated: 2017/11/16
- Phantom: SAM_Right; Type: QD000P40CD; Serial: S/N:1796
- Measurement SW: DASY52, Version 52.8 (8); SEMCAD X Version 14.6.10 (7373)

Area Scan (121x121x1): Interpolated grid: dx=1.000 mm, dy=1.000 mm

Maximum value of SAR (interpolated) = 1.04 W/kg

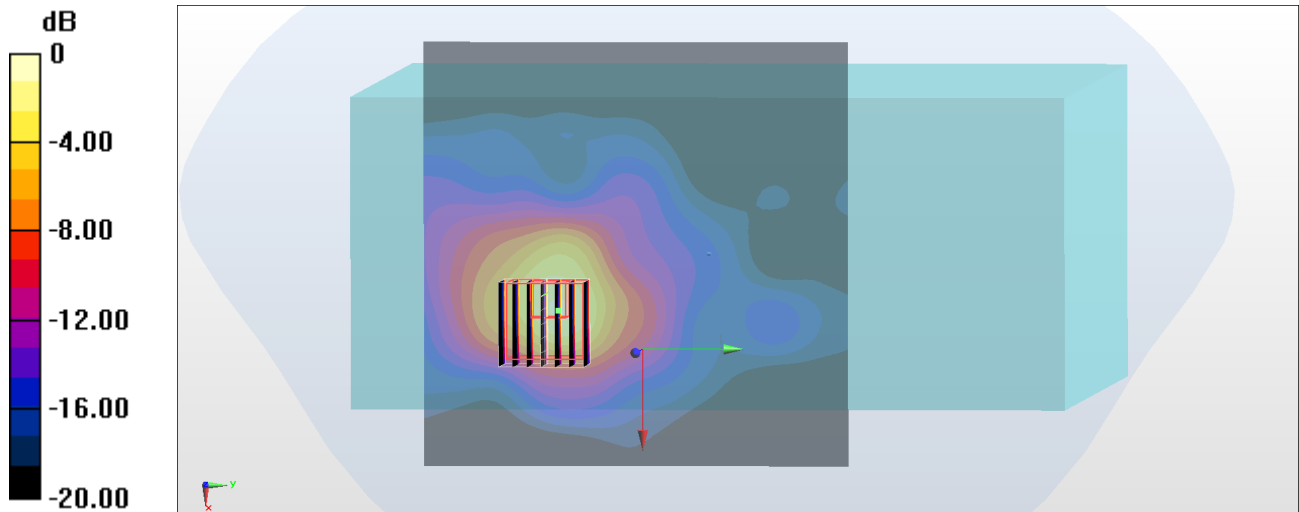
Zoom Scan (7x7x7)/Cube 0: Measurement grid: dx=4mm, dy=4mm, dz=1.4mm

Reference Value = 3.714 V/m; Power Drift = -0.18 dB

Peak SAR (extrapolated) = 2.34 W/kg

SAR(1 g) = 0.573 W/kg; SAR(10 g) = 0.194 W/kg

Maximum value of SAR (measured) = 1.34 W/kg



0 dB = 1.34 W/kg = 1.27 dBW/kg

#09_WLAN5GHz_802.11ac-VHT80 MCS0_Right Side_0mm_Ch155;Ant 2

Communication System: 802.11ac ; Frequency: 5775 MHz;Duty Cycle: 1:1.091

Medium: MSL_5G_180309 Medium parameters used: $f = 5775$ MHz; $\sigma = 6.075$ S/m; $\epsilon_r = 46.316$; $\rho = 1000$ kg/m³

Ambient Temperature : 23.3 °C ; Liquid Temperature : 22.3 °C

DASY5 Configuration

- Probe: EX3DV4 - SN3931; ConvF(4.32, 4.32, 4.32); Calibrated: 2017/9/29;
- Sensor-Surface: 1.4mm (Mechanical Surface Detection)
- Electronics: DAE4 Sn1399; Calibrated: 2017/11/16
- Phantom: SAM_Right; Type: QD000P40CD; Serial: S/N:1796
- Measurement SW: DASY52, Version 52.8 (8); SEMCAD X Version 14.6.10 (7373)

Area Scan (121x121x1): Interpolated grid: dx=1.000 mm, dy=1.000 mm

Maximum value of SAR (interpolated) = 0.951 W/kg

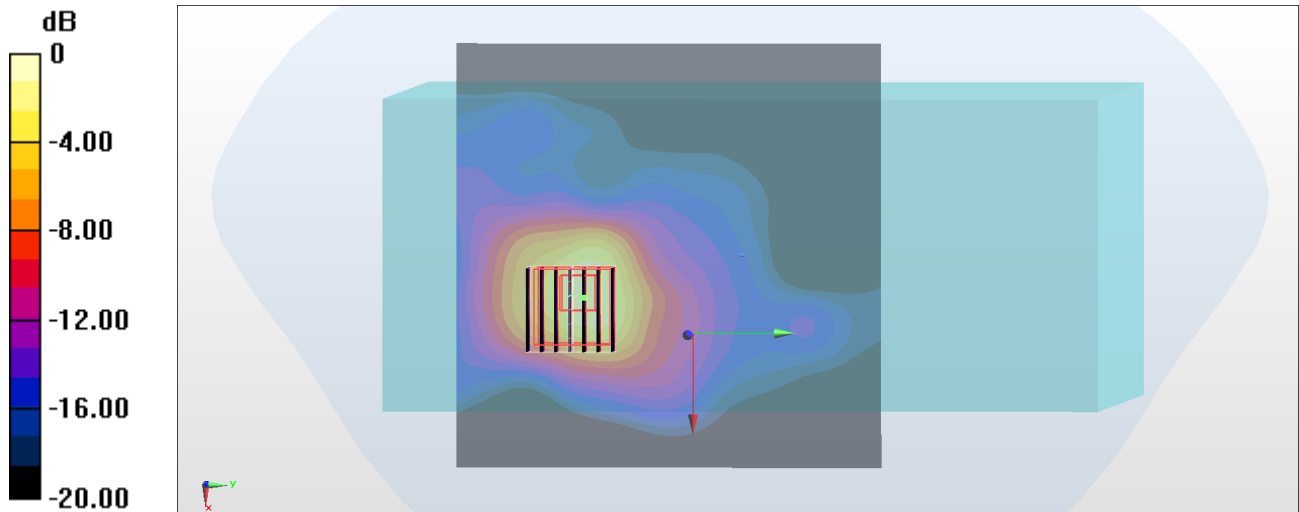
Zoom Scan (7x7x7)/Cube 0: Measurement grid: dx=4mm, dy=4mm, dz=1.4mm

Reference Value = 3.349 V/m; Power Drift = 0.09 dB

Peak SAR (extrapolated) = 2.34 W/kg

SAR(1 g) = 0.552 W/kg; SAR(10 g) = 0.195 W/kg

Maximum value of SAR (measured) = 1.29 W/kg



0 dB = 1.29 W/kg = 1.11 dBW/kg

#10_Bluetooth_1Mbps_Front_0mm_Ch0

Communication System: Bluetooth; Frequency: 2402 MHz; Duty Cycle: 1:1.297

Medium: MSL_2450_180313 Medium parameters used: $f = 2402$ MHz; $\sigma = 1.918$ S/m; $\epsilon_r = 53.505$; $\rho = 1000$ kg/m³

Ambient Temperature : 23.6 °C ; Liquid Temperature : 22.6 °C

DASY5 Configuration:

- Probe: ES3DV3 - SN3169; ConvF(4.28, 4.28, 4.28); Calibrated: 2017/5/11;
- Sensor-Surface: 3mm (Mechanical Surface Detection)
- Electronics: DAE4 Sn853; Calibrated: 2017/7/19
- Phantom: SAM_Right; Type: QD000P40CD; Serial: 1719
- Measurement SW: DASY52, Version 52.8 (8); SEMCAD X Version 14.6.10 (7373)

Area Scan (101x81x1): Interpolated grid: dx=1.200 mm, dy=1.200 mm

Maximum value of SAR (interpolated) = 0.0474 W/kg

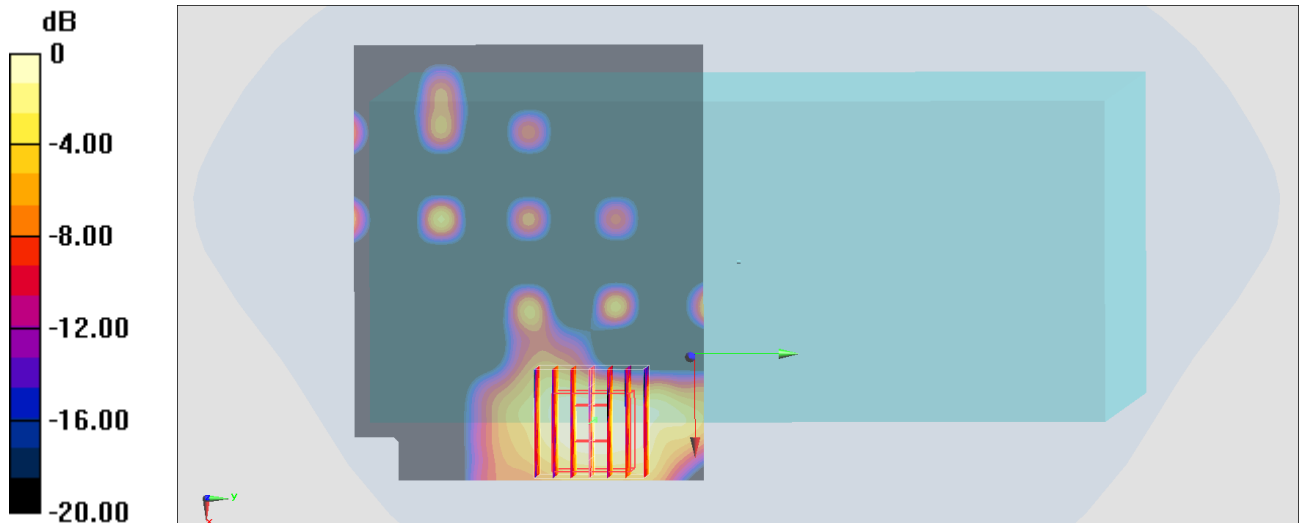
Zoom Scan (7x7x7)/Cube 0: Measurement grid: dx=5mm, dy=5mm, dz=5mm

Reference Value = 2.881 V/m; Power Drift = -0.14 dB

Peak SAR (extrapolated) = 0.0650 W/kg

SAR(1 g) = 0.033 W/kg; SAR(10 g) = 0.017 W/kg

Maximum value of SAR (measured) = 0.0414 W/kg



0 dB = 0.0414 W/kg = -13.83 dBW/kg