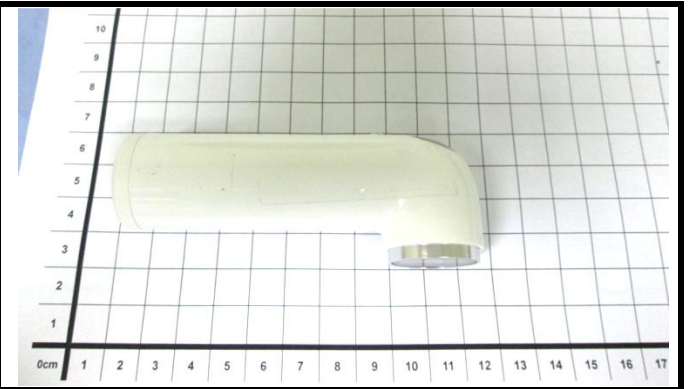
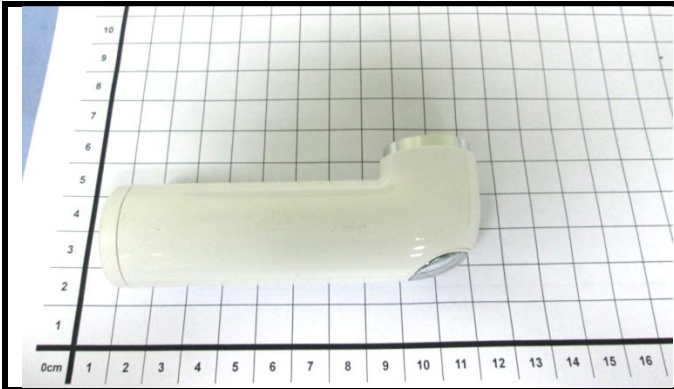




Appendix D. Photographs of EUT and Setup

FCC SAR Test Report

<Photographs of EUT>



<Photographs of SAR Setup>



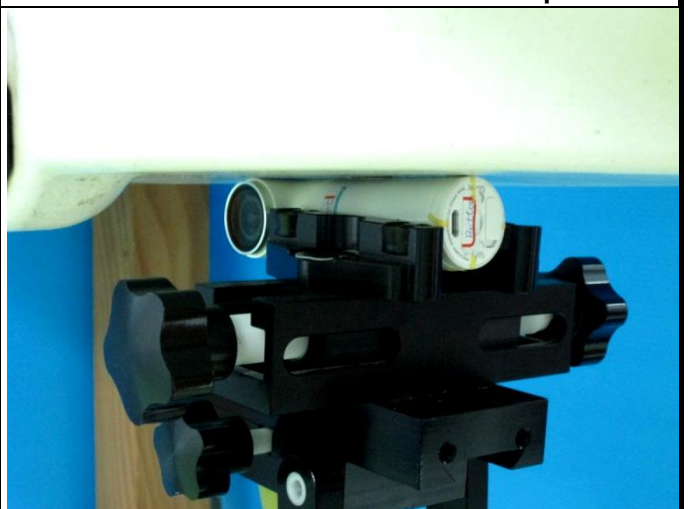
Rear Face of EUT with 0 cm Gap



Bottom Side of EUT with 0 cm Gap



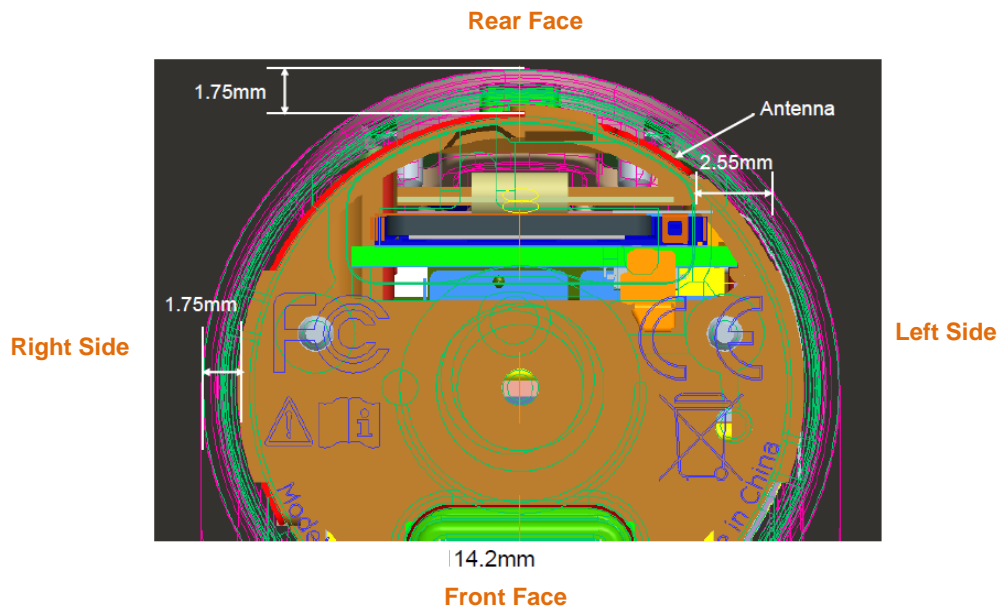
Left Side of EUT with 0 cm Gap



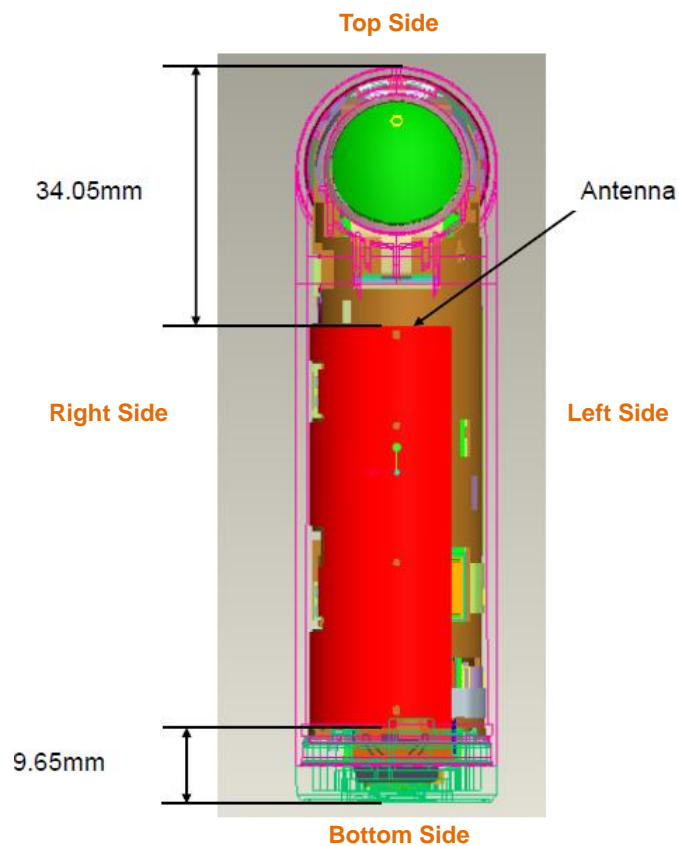
Right Side of EUT with 0 cm Gap

FCC SAR Test Report

<Antenna Location>



<EUT Bottom Side View>



<EUT Rear View>