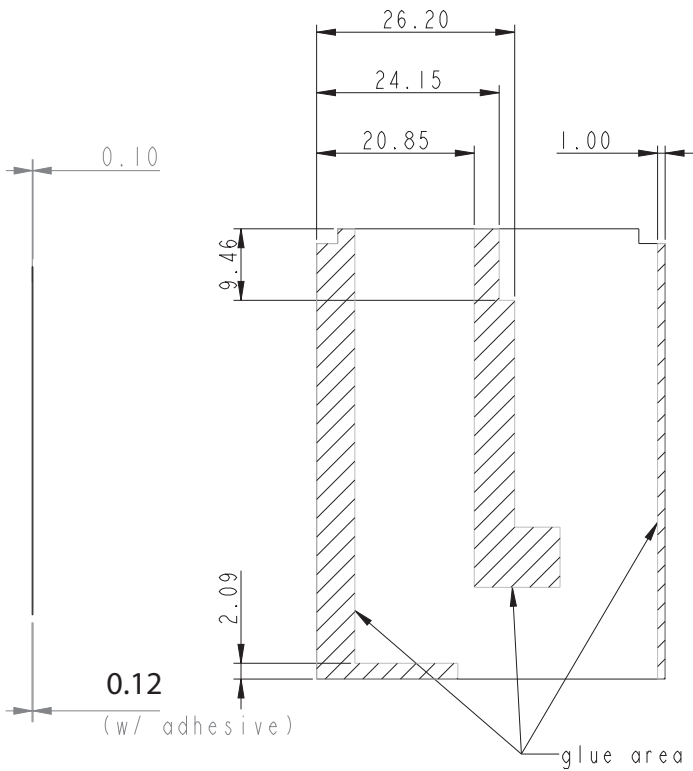


Front



Back

ZFR#U OP3Z112 Agency label

Label thickness: 0.12(0.11 label+0.02 adhesive )

- Black
- Cool gray 9C
- Cool gray 5C