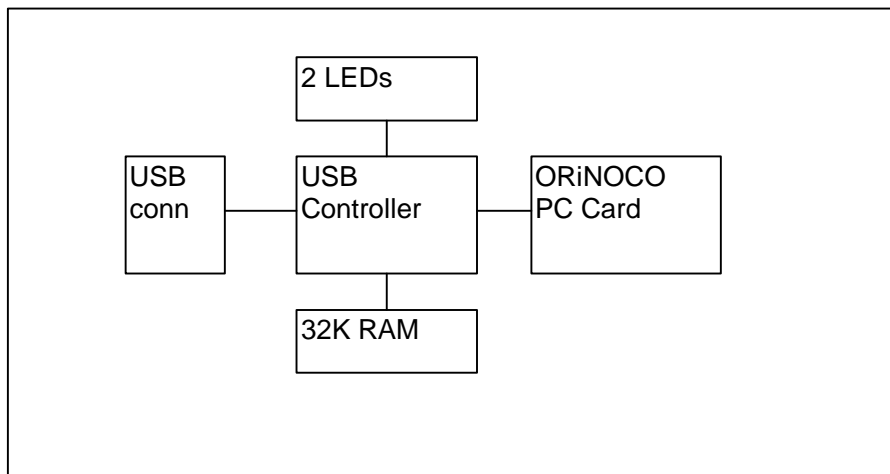


Short technical description of ORiNOCO USB product.

The main components of the ORiNOCO USB product are depicted below:



The USB controller is the core of the product. This chip interfaces between the USB bus and the PC Card interface. The chip consists of an 8051 CPU and 8K RAM. The program code is downloaded from the USB host into the device. For future software updates, additional RAM is provided [32KByte].

The 2 bi-color LEDs show power and wireless activity.

The wireless interface is realized by using a standard, non-modified ORiNOCO PC Card.

The USB connector is the standard USB client plug, to which a detachable cable is connected. Power to the unit is supplied over the USB connection. The 5Vdc voltage is regulated on-board to 3.3 Vdc. Max current consumption will be less than 500mA.

The housing of the product is ABS plastic.