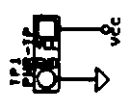
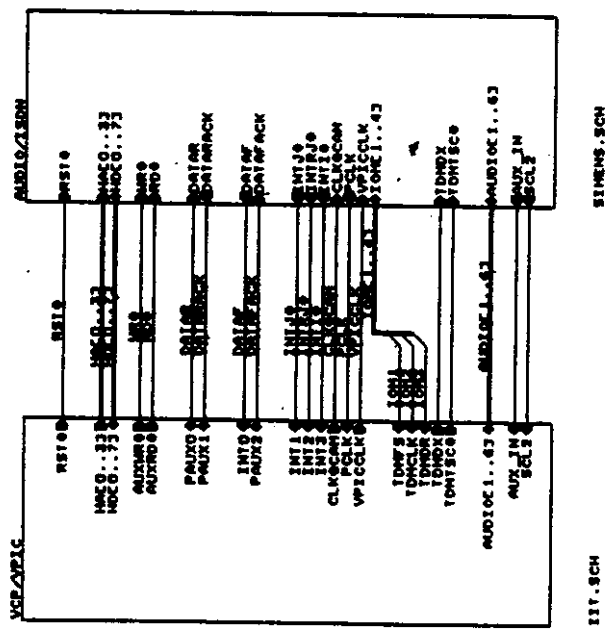


***EXHIBIT C***  
***Circuit Diagram***

3550094112 13



TITLE	UTC - 0V128CE
Sheet Document Number	TOP.SCH
Sheet Number	0
Sheet Total	0V128CE-1
REV	0



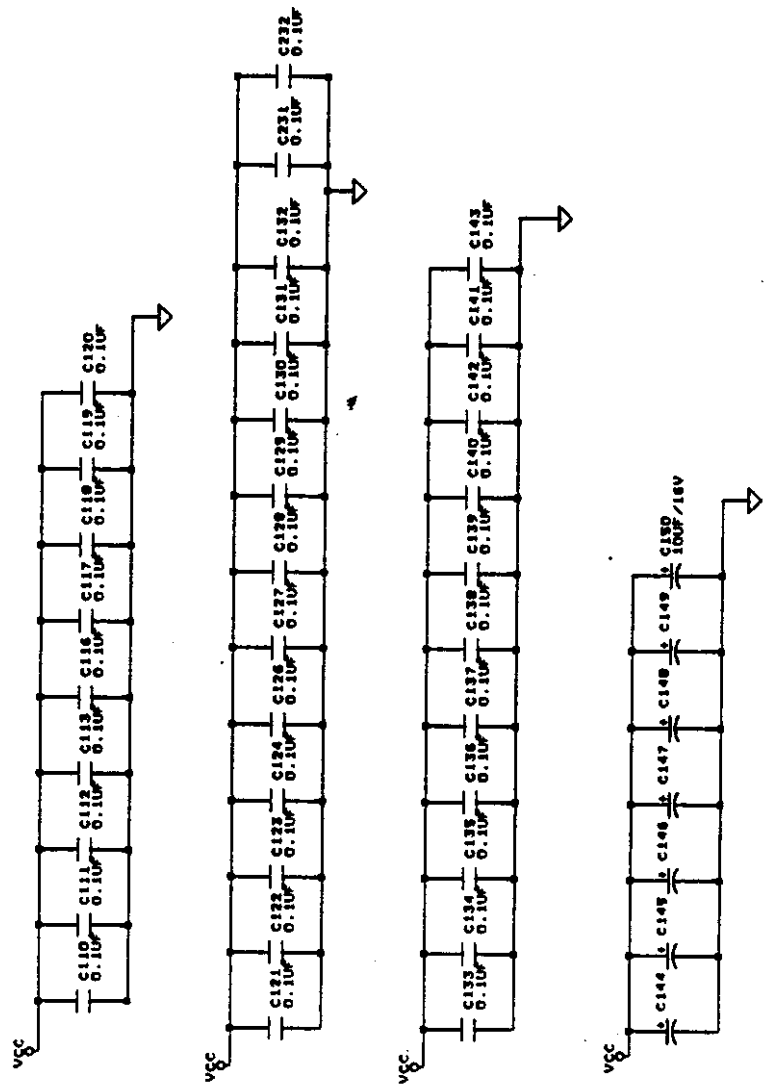
SIMENS.SCH

III.SCH



3550094112

ISSUE  
JAN 19 1998  
UNIFORM  
INDUSTRIAL  
CORP.

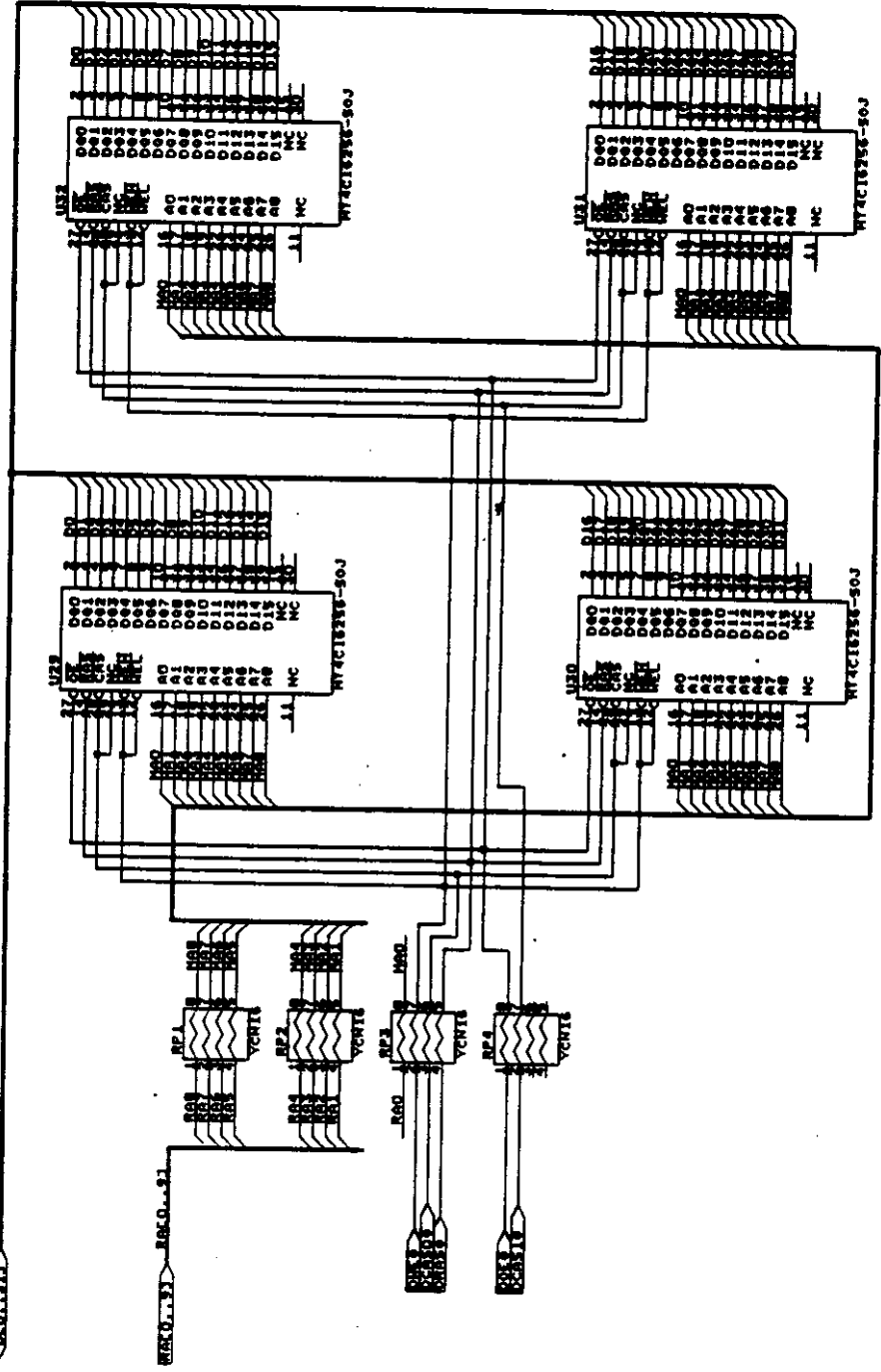


IMPORTANT FOR LAYOUT !! C144 AND C145 PUT ASIDE FROM U1  
 C146 AND C147, C148 PUT ABOVE FROM PCI SLOT  
 C149 PUT ABOVE FROM U2  
 C150 PUT ASIDE FROM U3

UIC. AV128C
BYPASS.SCH
Sheet document Number
AV128C-1
REV
A.D.

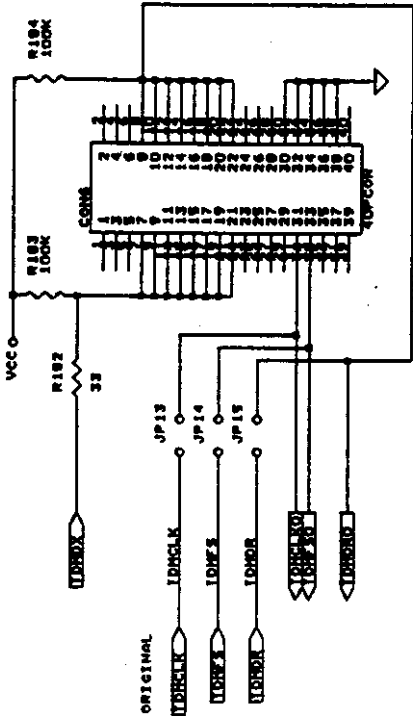
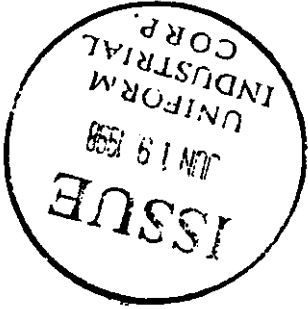
3550094112

ISSUE  
UNIFORM  
INDUSTRIAL  
CORP.



UTC. W128CE  
 DRAM. SCH  
 size document number  
 W128CE-1

3550094112

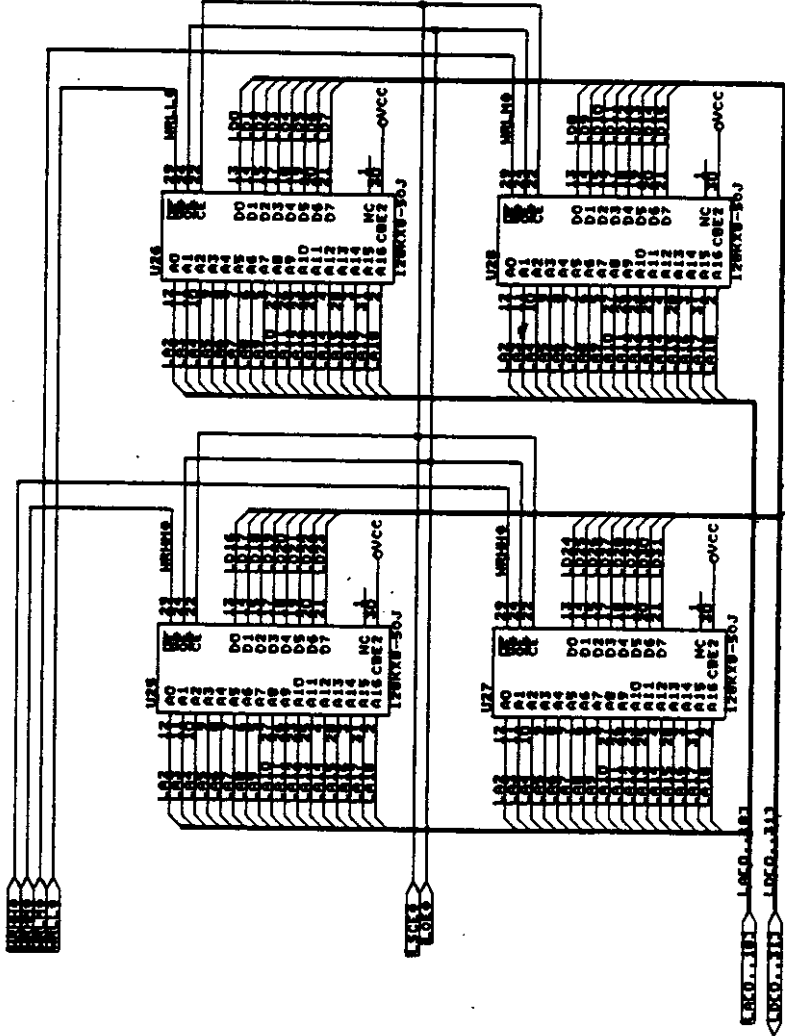


FILE	UTC. AV128CE
FILE DOCUMENT NUMBER	MVP.SCH
REV	AV128CE-1
D.O	
DATE	APR 27 1958

3550094112

5

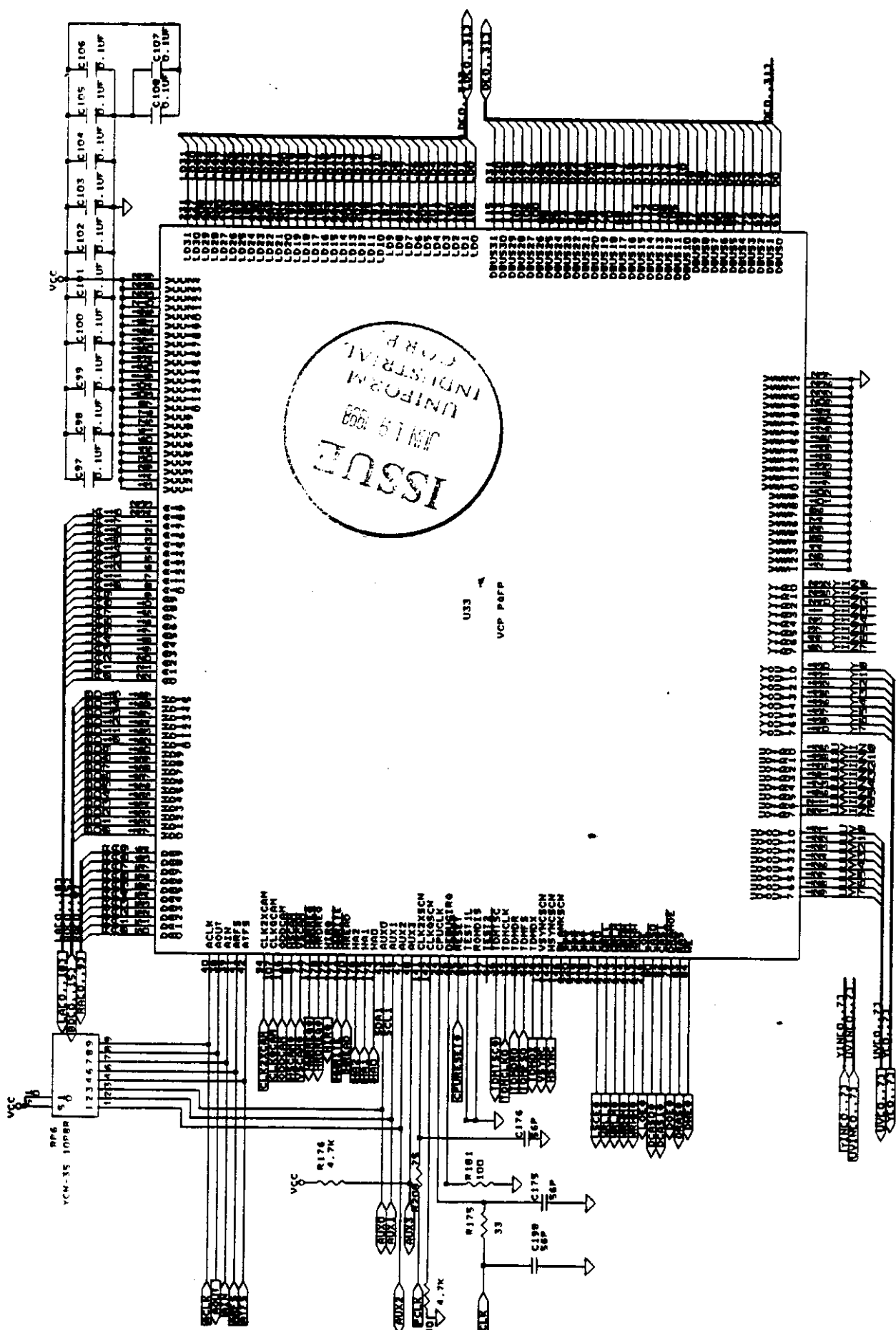
ISSUE  
 JUN 19 1998  
 UNIFORM  
 INDUSTRIAL  
 CORP.



VCC:32 GND:16

RISCIII MEMORY

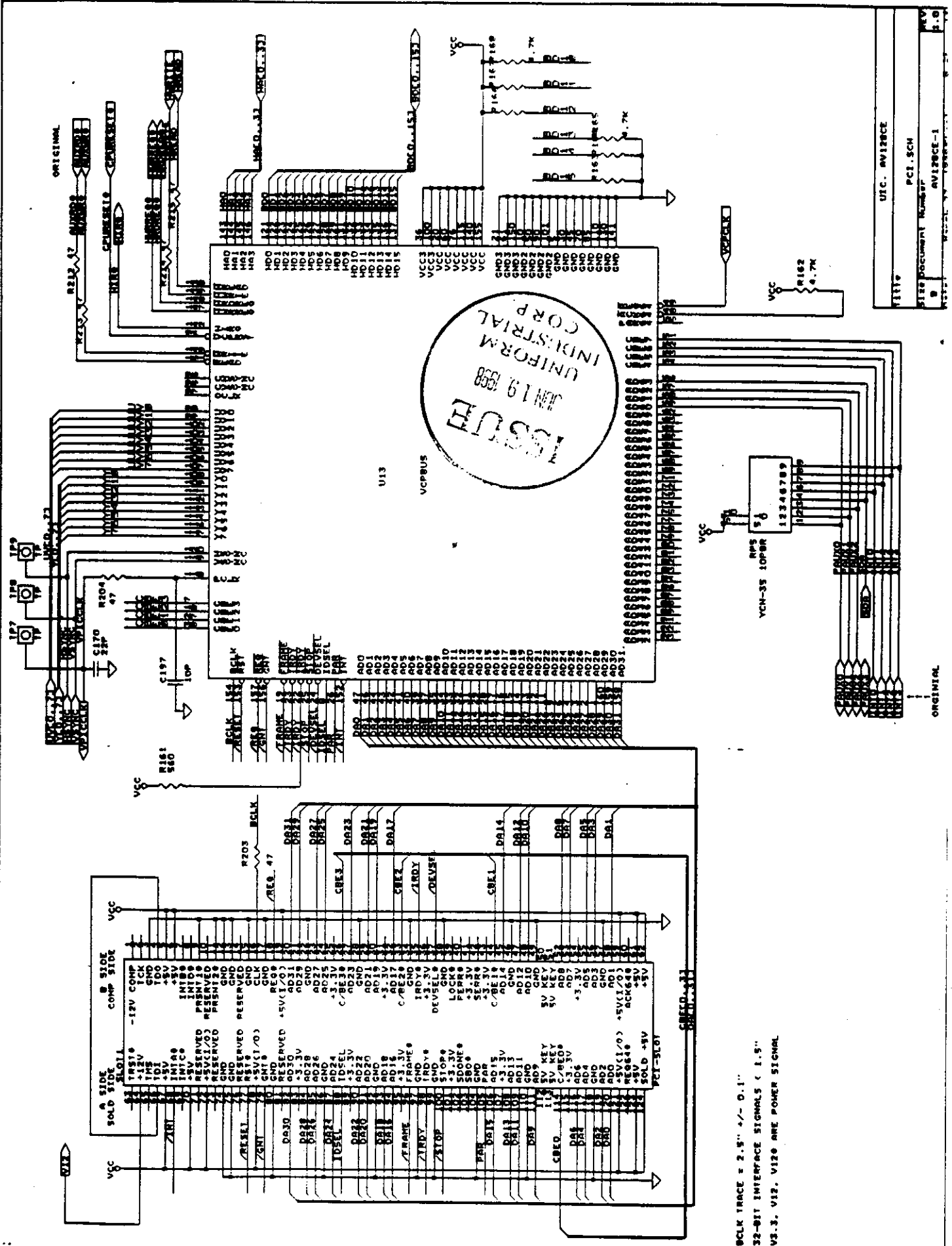
TITLE	UIC. WJ12BCE
DESIGN DOCUMENT NUMBER	SRAM.SCH
REV	WJ12BCE-1
DWG NO.	



ISSUE  
 JUN 19 1969  
 UNIFORM  
 INDUSTRIAL  
 CORP.

UTG. AVIANCE	REV
VCP.SCH	P.O
Site document Number	
AVIANCE-1	





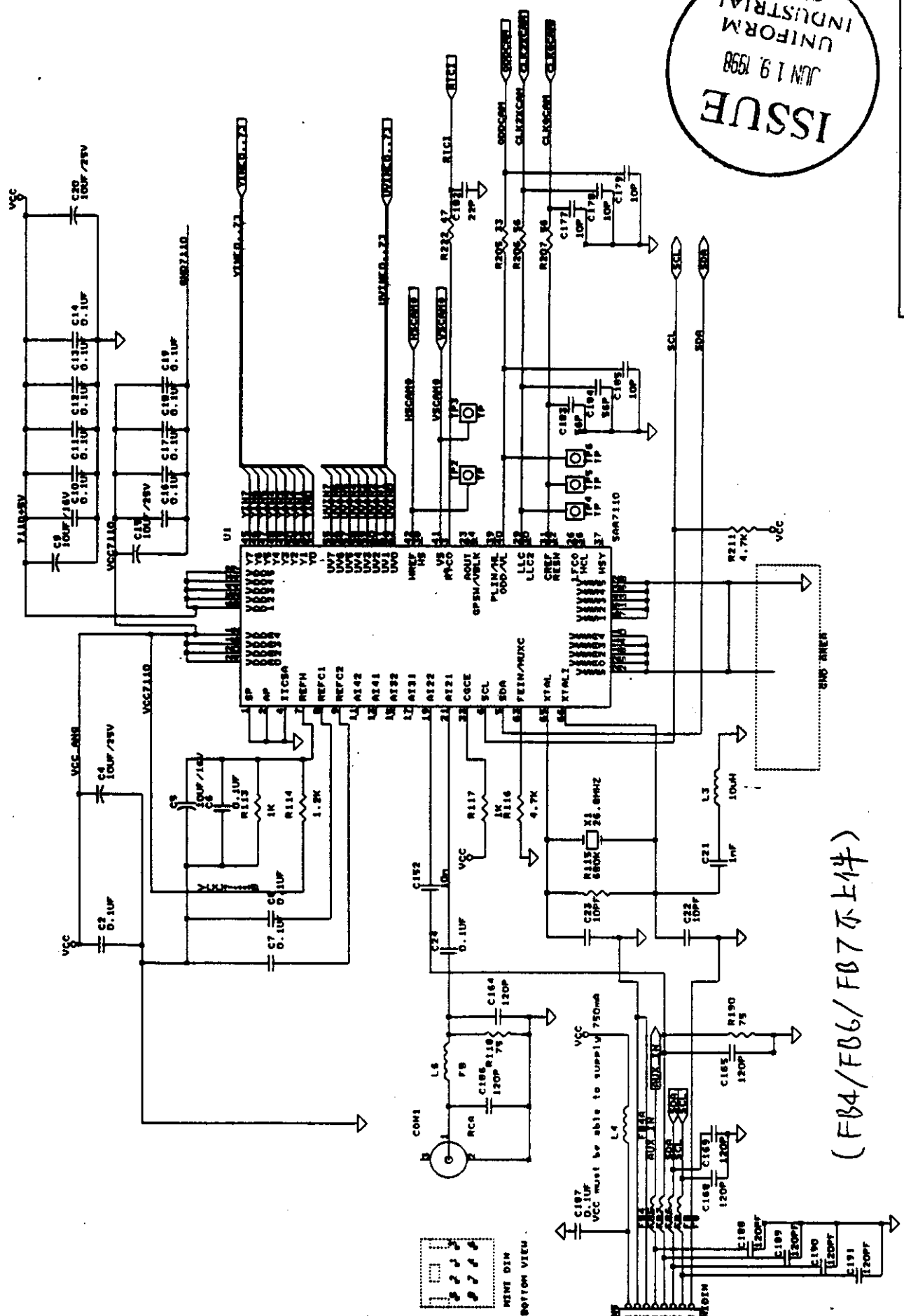
BCLK TRACE = 2.5" +/- 0.1"  
 32-BIT INTERFACE SIGNALS < 1.5"  
 VS-3, V12, V120 ARE POWER SIGNALS

UIC: AV120CE  
 FILE: SCH  
 FILE DOCUMENT NUMBER: AV120CE-1  
 REV: 1.0

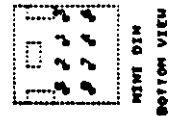
ORIGINAL

ISSUE  
JUN 19 1998  
UNIFORM  
INDUSTRIAL  
CORP

TITLE	UTC. 0V120CE
DATE	CAMERA. SCH
DOC. NO.	0V120CE-1
REV.	



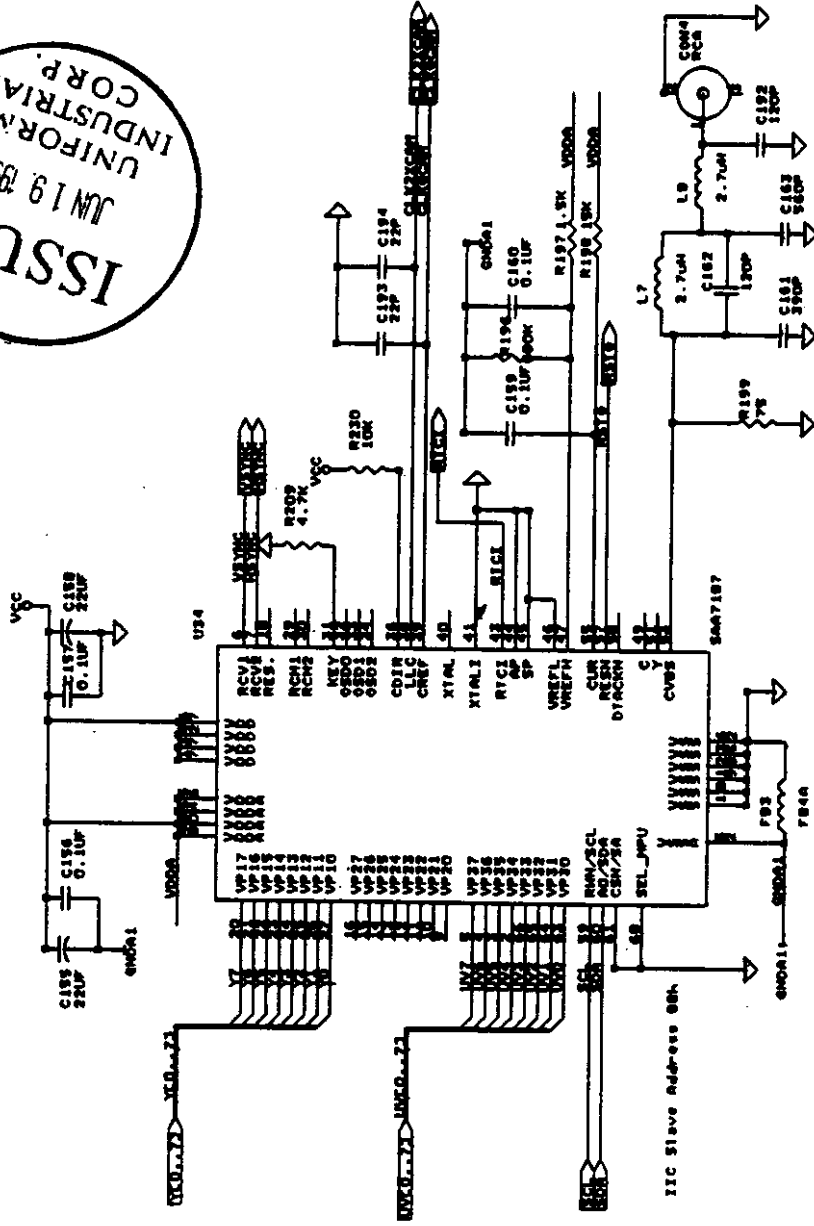
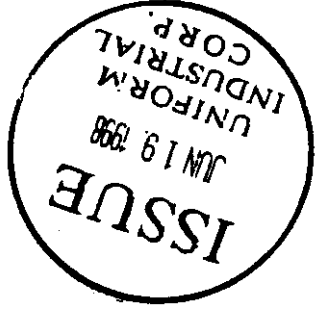
(FB4/FB6/FB7 不工作)



VCC must be able to supply 750mA

3550094112

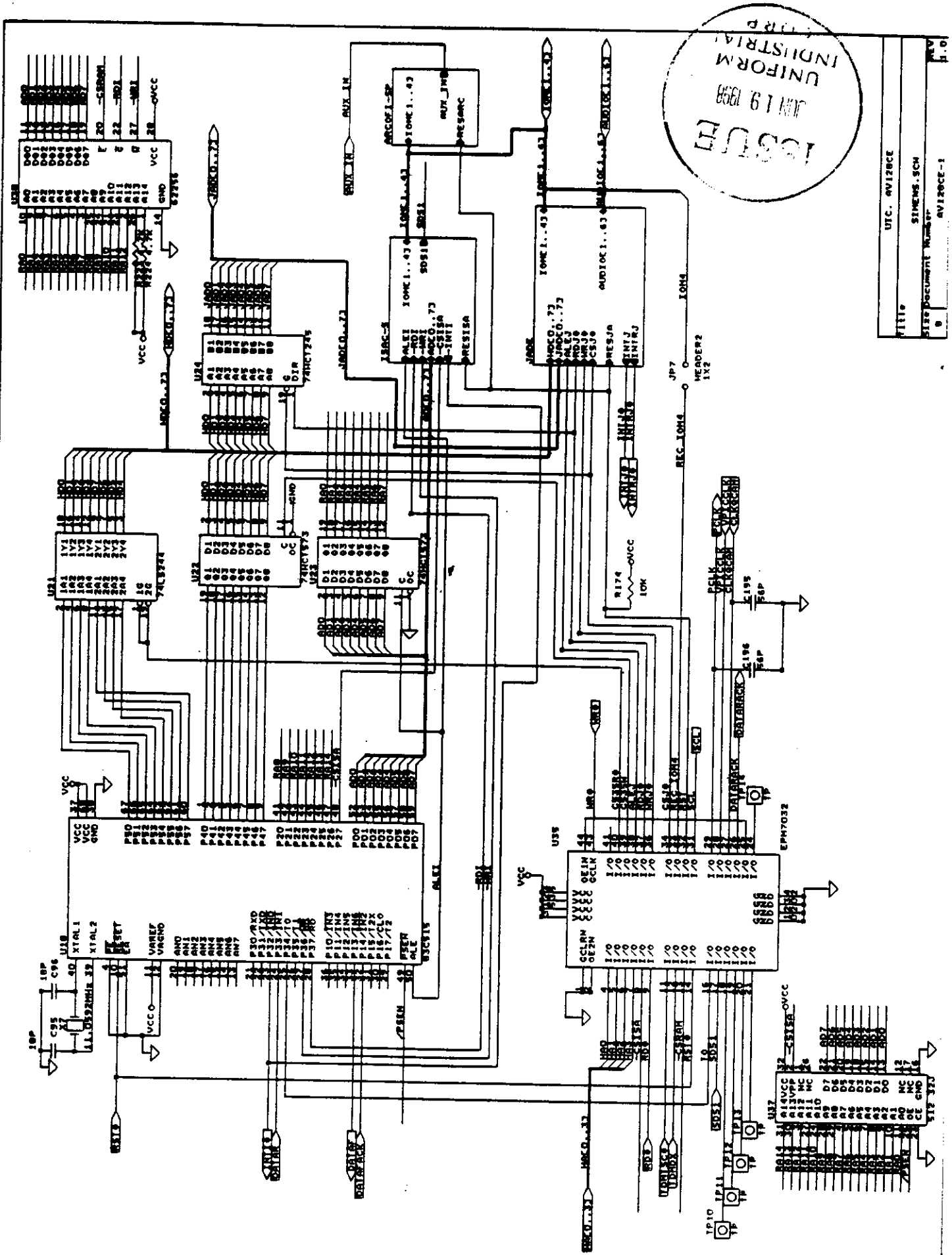
14



FILE	UTC. AV120C
SIZE	MTSC. SCH
DATE	MARCH 25, 1998
REV	AV120C-1
NO	10 OF 10

3550094112

9



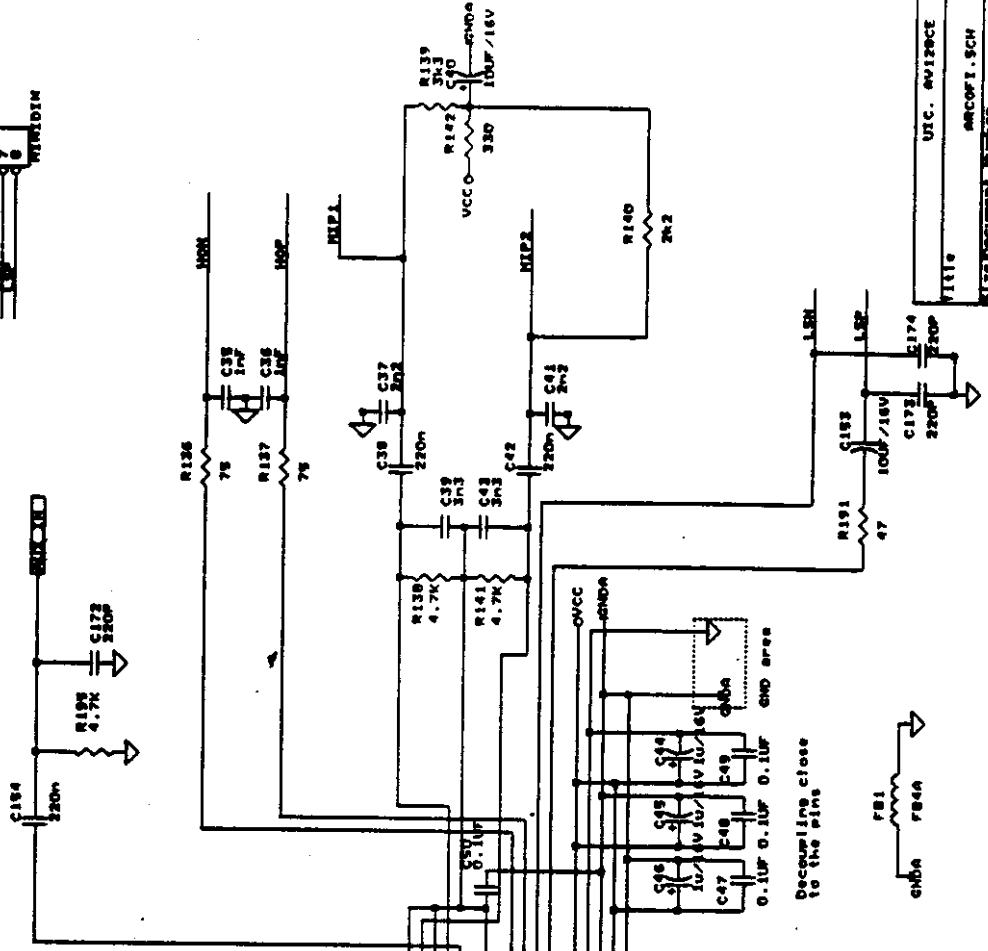
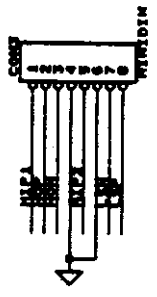
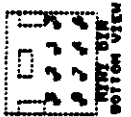
LOST IN  
 JUN 19 1998  
 UNIFORM  
 INDUSTRIAL  
 TRIP

AV10  
 P.O.  
 TITLE  
 UTC. AV120CE  
 SIMENS.SCH  
 Size Document Number  
 AV120CE-1

3550094112

10

ISSUE  
 JAN 19 88  
 UNIFORM  
 INDUSTRIAL  
 CORP.



Mode: ION-TE  
 Chip Address: 0

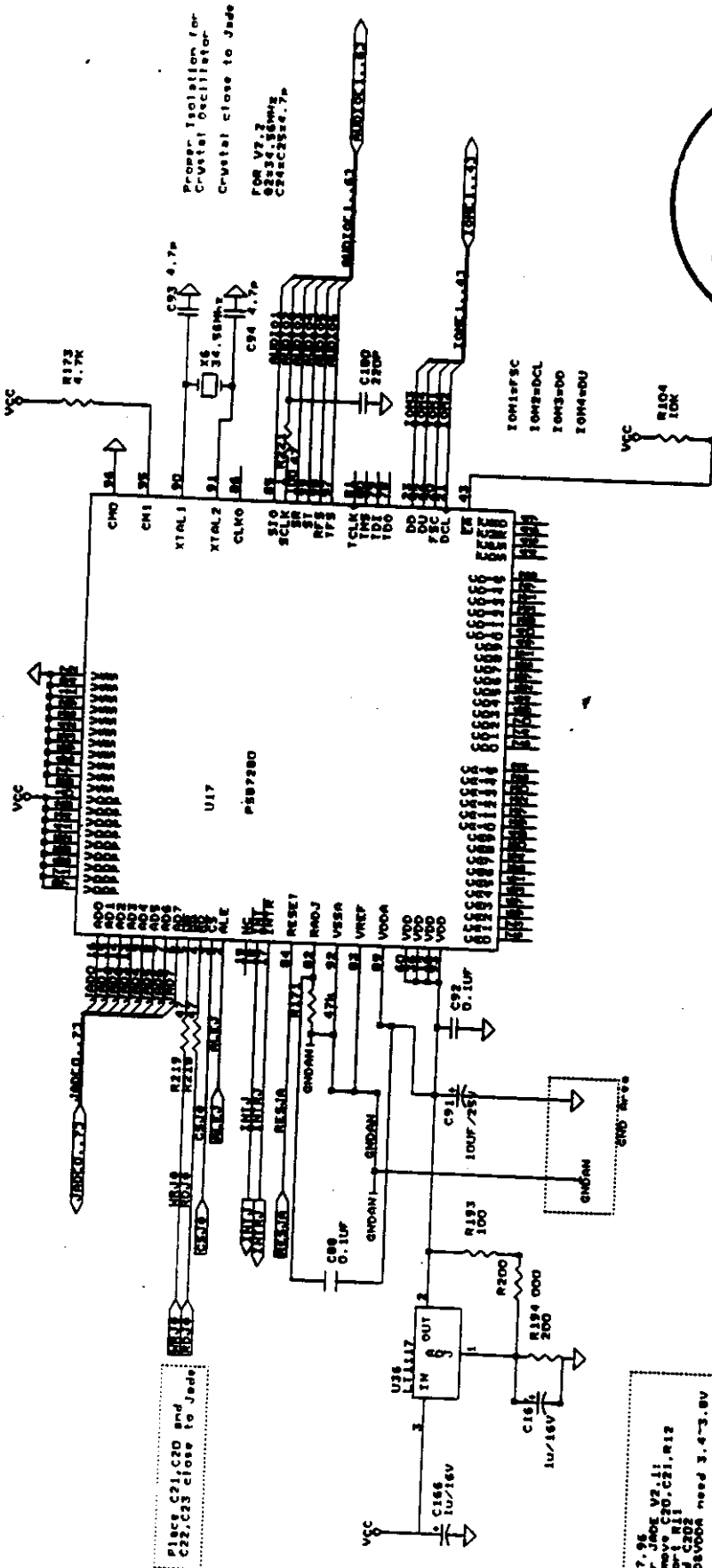
Revised: 07.04.87  
 Reason: GND, GND area  
 enclosed in GND area

Decoupling close  
 to the pins

UIC: MVI20CE
ARCOP1.SCH
UIC Document Number
MVI20CE-1
March 77, 1988

3550094112

11



Proper Isolation for  
Crystal Oscillator  
Crystal close to Jade  
R123 4.7K  
C92 4.7pF  
R124 10K  
C93 33.5pF  
R125 10K  
C94 4.7pF

Place C91, C92 and  
C25, C26 close to Jade

2.2.95 Add U25  
Remove C20, C21, R12  
Short R11  
Add C202  
VDDVDD00 need 3.4-3.8V

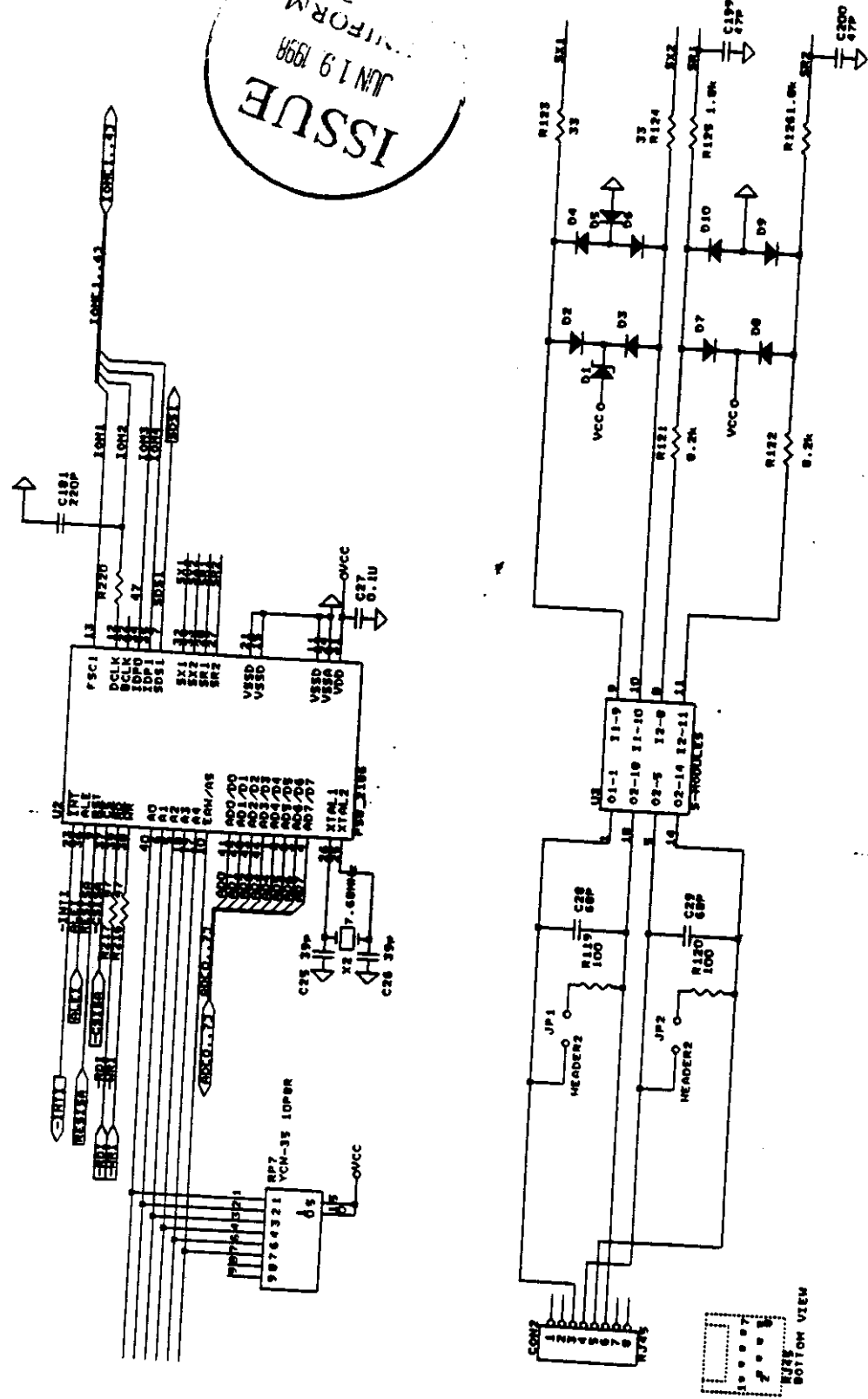
Revised: 12-02-95  
New Package P-16FP-100  
AD-05  
Pinout for SP00, 32K x 8  
Pin VDD0 has Pinnumber 89  
02.05.95  
GND pins added

UTIC	AV120CE
JUDE.SCH	
AV120CE-1	

3550094112

12

ISSUE  
JUN 19 1998  
INFORM



Revised: 04.04.98  
Values of resistors exchanged R27,23  
Polarity of D18 changed  
No Pullup for INT of I2C  
C27C28=39p

FILE	UIC. 0V120CE
FILE DOCUMENT NUMBER	ISAC.SCN
REV	0V120CE-1



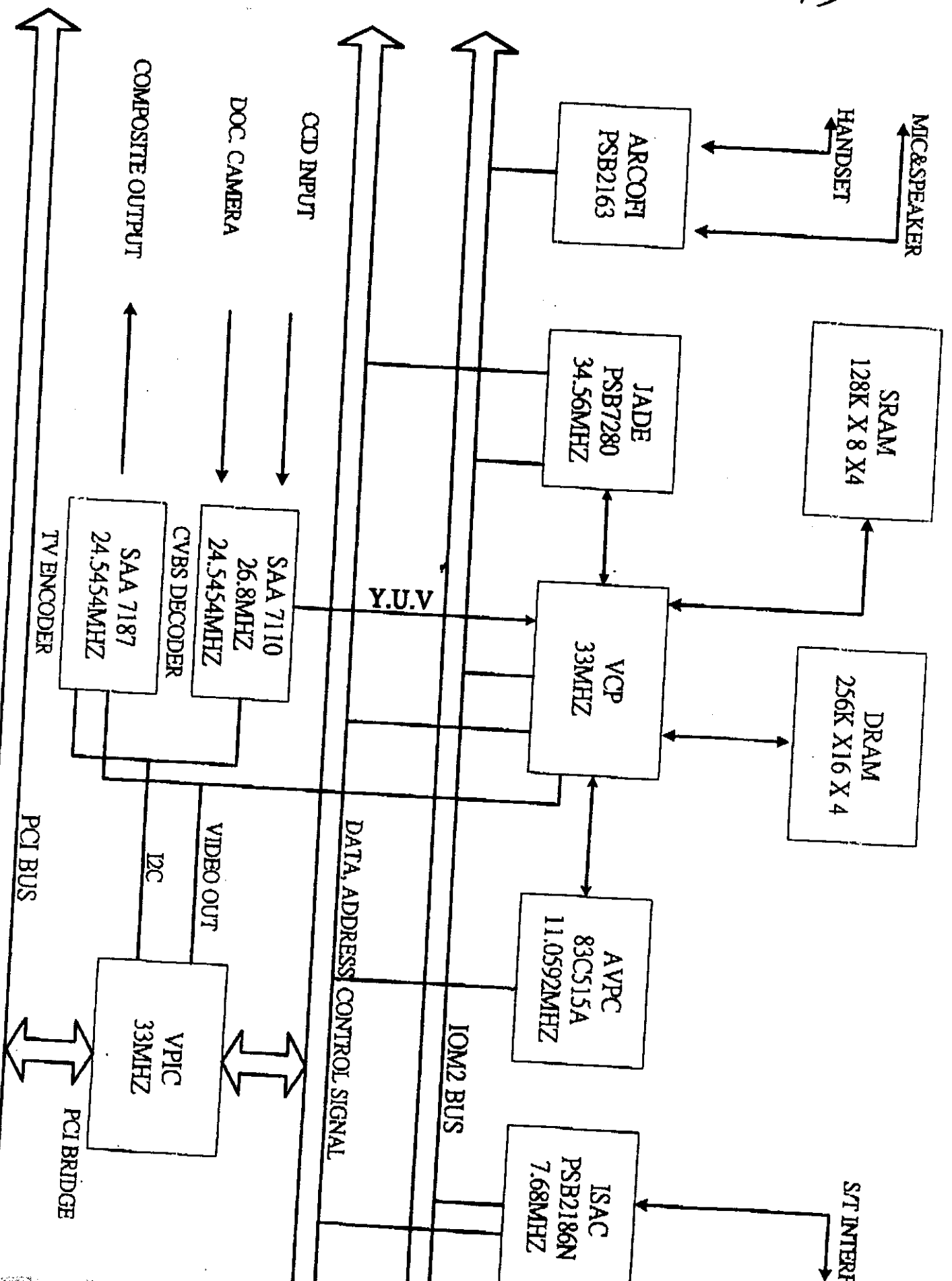
BOTTOM VIEW

***EXHIBIT D***

***Block Diagram***



2/3



BLOCK DIAGRAM OF AV139C