
SAMSUNG TECHWIN

RFID Reader

User Manual

SSA-R2001V



SAMSUNG



SAMSUNG

RFID Reader

User Manual

Copyright

©2010 Samsung Techwin Co., Ltd. All rights reserved.

Trademark

SAMSUNG TECHWIN  is the registered logo of Samsung Techwin Co., Ltd.

The name of this product is the registered trademark of Samsung Techwin Co., Ltd.

Other trademarks mentioned in this manual are the registered trademark of their respective company.

Restriction

Samsung Techwin Co., Ltd shall reserve the copyright of this document. Under no circumstances, this document shall be reproduced, distributed or changed, partially or wholly, without formal authorization of Samsung Techwin.

Disclaimer

Samsung Techwin makes the best to verify the integrity and correctness of the contents in this document, but no formal guarantee shall be provided. Use of this document and the subsequent results shall be entirely on the user's own responsibility. Samsung Techwin reserves the right to change the contents of this document without prior notice.

Warranty

If the product does not operate properly in normal conditions, please let us know. Samsung Techwin will resolve the problem for free of charge. The warranty period is 3 years. However, the followings are excluded:

- If the system behaves abnormally because you run a program irrelevant to the system operation.
- Deteriorated performance or natural worn-out in process of time
- Sensory phenomenon that does not affect the performance or quality of the product (ex : working noise)

safety information



CAUTION

RISK OF ELECTRIC SHOCK.
DO NOT OPEN



CAUTION: TO REDUCE THE RISK OF ELECTRIC SHOCK, DO NOT REMOVE COVER (OR BACK) NO USER SERVICEABLE PARTS INSIDE. REFER SERVICING TO QUALIFIED SERVICE PERSONNEL.



This symbol indicates that dangerous voltage consisting a risk of electric shock is present within this unit.



This exclamation point symbol is intended to alert the user to the presence of important operating and maintenance (servicing) instructions in the literature accompanying the appliance.

WARNING

- To reduce the risk of fire or electric shock, do not expose this appliance to rain or moisture.

WARNING

1. Be sure to use only the standard adapter that is specified in the specification sheet. Using any other adapter could cause fire, electrical shock, or damage to the product.
2. Incorrectly connecting the power supply or replacing battery may cause explosion, fire, electric shock, or damage to the product.
3. Do not connect multiple controllers to a single adapter. Exceeding the capacity may cause abnormal heat generation or fire.
4. Securely plug the power cord into the power receptacle. Insecure connection may cause fire.
5. When installing the controller, fasten it securely and firmly. The fall of controller may cause personal injury.
6. Do not place conductive objects (e.g. screwdrivers, coins, metal parts, etc.) or containers filled with water on top of the controller. Doing so may cause personal injury due to fire, electric shock, or falling objects.
7. Do not install the unit in humid, dusty, or sooty locations. Doing so may cause fire or electric shock.
8. If any unusual smells or smoke come from the unit, stop using the product. In such case, immediately disconnect the power source and contact the service center. Continued use in such a condition may cause fire or electric shock.
9. If this product fails to operate normally, contact the nearest service center. Never disassemble or modify this product in any way. (SAMSUNG is not liable for problems caused by unauthorized modifications or attempted repair.)
10. When cleaning, do not spray water directly onto parts of the product. Doing so may cause fire or electric shock.

CAUTION

1. Do not drop objects on the product or apply strong blows to it. Keep away from a location subject to excessive vibration or magnetic interference.
2. Do not install in a location subject to high temperature (over 50°C), low temperature (below -25°C), or high humidity. Doing so may cause fire or electric shock.
3. If you want to relocate the already installed product, be sure to turn off the power and then move or reinstall it.
4. Remove the power plug from the outlet when there is a lightning storm. Neglecting to do so may cause fire or damage to the product.
5. Keep out of direct sunlight and heat radiation sources. It may cause fire.
6. Install it in a place with good ventilation.
7. Avoid aiming the controller directly towards extremely bright objects such as sun.
8. Apparatus shall not be exposed to dripping or splashing and no objects filled with liquids, such as vases, shall be placed on the apparatus.
9. The Mains plug is used as a disconnect device and shall stay readily operable at any time.

safety information

FCC Statement

Caution : Any changes or modifications in construction of this device which are not expressly approved by the party responsible for compliance could void the user's authority to operate the equipment.

This device complies with part 15 of the FCC Rules. Operation is subject to the following two conditions:

- 1) This device may not cause harmful interference, and
- 2) This device must accept any interference received, including interference that may cause undesired operation.

NOTE: This equipment has been tested and found to comply with the limits for a Class B digital device, pursuant to Part 15 of the FCC Rules. These limits are designed to provide reasonable protection against harmful interference in a residential installation. This equipment generates, uses and can radiate radio frequency energy and, if not installed and used in accordance with the instructions, any cause harmful interference to radio communications. However, there is no guarantee that interference will not occur in a particular installation. If this equipment does cause harmful interference to radio or television reception, which can be determined by turning the equipment off and on, the user is encouraged to try to correct the interference by one or more of the following measures:

- Reorient or relocate the receiving antenna.
- Increase the separation between the equipment and receiver.
- Connect the equipment into an outlet on a circuit different from that to which the receiver is connected.
- Consult the dealer or an experienced radio/TV technician for help.

IMPORTANT SAFETY INSTRUCTIONS

1. Read these instructions.
2. Keep these instructions.
3. Heed all warnings.
4. Follow all instructions.
5. Do not use this apparatus near water.
6. Clean only with dry cloth.
7. Do not block any ventilation openings. Install in accordance with the manufacturer's instructions.
8. Do not install near any heat sources such as radiators, heat registers, or other apparatus (including amplifiers) that produce heat.
9. Do not defeat the safety purpose of the polarized or grounding-type plug. A polarized plug has two blades with one wider than the other. A grounding type plug has two blades and a third grounding prong. The wide blade or the third prong is provided for your safety. If the provided plug does not fit into your outlet, consult an electrician for replacement of the obsolete outlet.
10. Protect the power cord from being walked on or pinched particularly at plugs, convenience receptacles, and the point where they exit from the apparatus.
11. Only use attachments/accessories specified by the manufacturer.
12. Use only with cart, stand, tripod, bracket, or table specified by the manufacturer, or sold with the apparatus.
13. Unplug this apparatus when a card is used. Use caution when moving the cart/ apparatus combination to avoid injury from tip-over.
14. Refer all servicing to qualified service personnel. Servicing is required when the apparatus has been damaged in any way, such as powersupply cord or plug is damaged, liquid has been spilled or objects have fallen into the apparatus, the apparatus has been exposed to rain or moisture, does not operate normally, or has been dropped.



contents

PRODUCT INTRODUCTION

6

- 6 Features
- 6 What's included
- 7 At a Glance
- 8 Cable Color Scheme
- 8 Cable Selection

INSTALLATION AND EXTERNAL CONNECTION

9

- 9 Installation
- 10 Precautions on installation
- 11 External Connection

INITIALIZATION

12

- 12 Basic Operations

OUTPUT FORMAT

13

- 13 WIEGAND Output
- 14 RS-232 Output
- 15 8 Bit Burst Output Format

TROUBLESHOOTING

16

- 16 Troubleshooting

PRODUCT SPECIFICATIONS

17

- 17 Product Specifications

product introduction






FEATURES

This model is an elegant-looking proximity reader that is featured by the capacitive touch-sensing keypad. The back-lighted keypad is useful especially for night operation, and its epoxy adhesion and aluminium case relieve you of worries about the rain or any other challenging weather conditions. This model permits user access through authentication of the presented proximity card and personal identification number using the keypad. With its red, green and orange indicators as well as the Piezo buzzer, this model is guaranteed to make a stable and correct operation.

- ◆ 13.56 MHz [MIFARE] Contactless Smart Card & PIN Reader
- ◆ Compatible with ISO14443 Type A
- ◆ 34 bit Wiegand & RS-232 Data Output
- ◆ 8 Bit Burst Output Format supported
- ◆ Numeric keypad with backlighting for night operation
- ◆ Control of External LED Indicators
- ◆ Control of External Buzzer
- ◆ Tamper Switch
- ◆ Reverse Polarity Protection
- ◆ Weatherproof and Dustproof

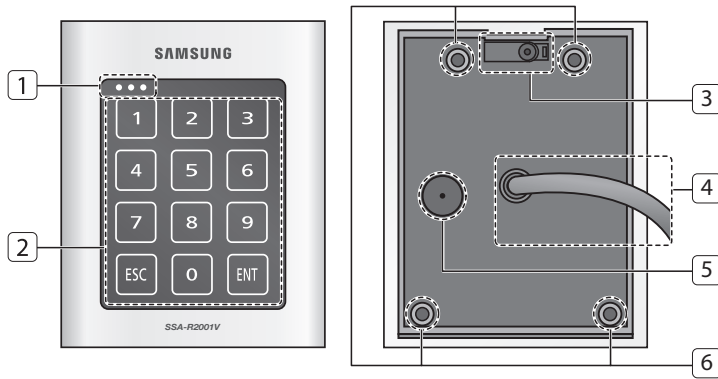
WHAT'S INCLUDED

Check if the following items are included in the product package.

		
Main Unit	3.5 x 40mm Screws (x4) 3.5 x 25mm Screws (x4) 6 x 30mm Plastic Anchor (x4)	CD Manual
		
Quick Guide	3mm Hex Wrench (x1)	

AT A GLANCE

Front/Rear



1	LED	Displays the status of the system operation.
2	Keypad	Used to enter the ID/password.
3	Tamper Switch	A tamper switch to detect falling from the wall.
4	Connection Cable	Used to connect to the power source or I/O cable.
5	Buzzer	Piezo buzzer.
6	Fixing Hole	Fixing hole for wall-mounting.

product introduction

CABLE COLOR SCHEME

Name of I/O Pin	Signal Line	Cable Color
Power (+12V)	DC +12V	Red
Power Ground	GND(-)	Black
Wiegand Data Output 0	WIK_DATA0	Green
Wiegand Data Output 1	WIK_DATA1	White
Not used.	Not used.	Orange
RS-232 TX	TX OUT	Purple
Not used.	Not used.	Brown
RS-232 GND	GND	Black
LED Control	Green LED Control	Yellow
LED Control	Orange LED Control	Gray
Buzzer Control	BUZZER Control	Blue
Tamper Switch COM	Tamper COM	Pink
Tamper Switch NC	Tamper NC	Light yellow

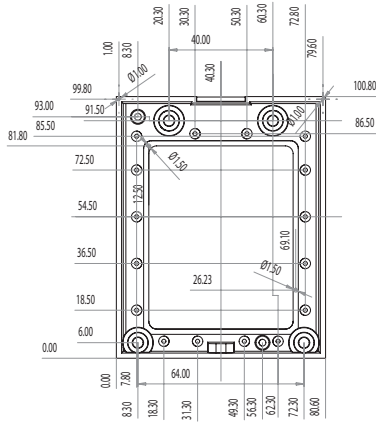
CABLE SELECTION

Item	Cable Type
1 Power (DC12V)	Belden #9409, 18 AWG 2 Conductor, Unshielded
2 Card/PIN data (Wiegand) Control Signal (LED,BUZZER) TAMPER	Belden #9512, 22 AWG 4 Conductor, Shielded
	Belden #9514, 22 AWG 8 Conductor, Shielded
3 RS-232 Cable	Belden #9829, 24 AWG 2-twisted pair, Shielded

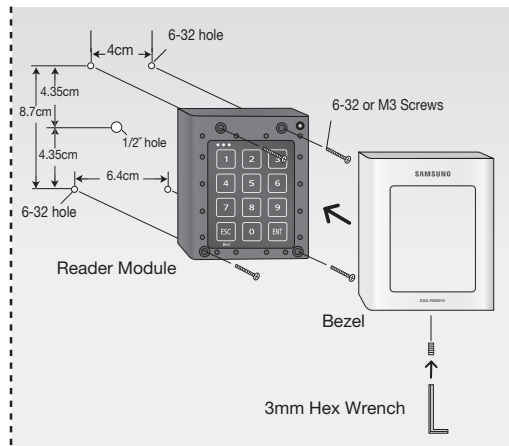
installation and external connection

INSTALLATION

1. See [Figure 1] to drill 6-32" holes and 1/2" holes (totally 4) into the wall.
2. Tighten the four screws to secure the product to the wall.
3. With the provided 3mm hex wrench, fix the outer case to the product.



[Figure 1]



[Figure 2]

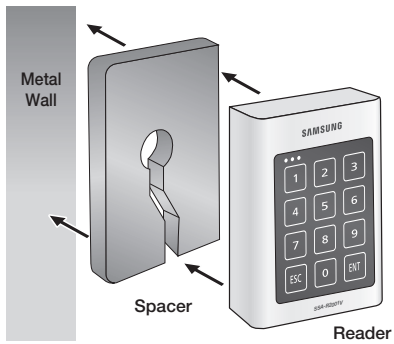
installation and external connection

PRECAUTIONS ON INSTALLATION

IF INSTALLING ON A METAL WALL

If you install the reader on a metal wall, the read range may be reduced.

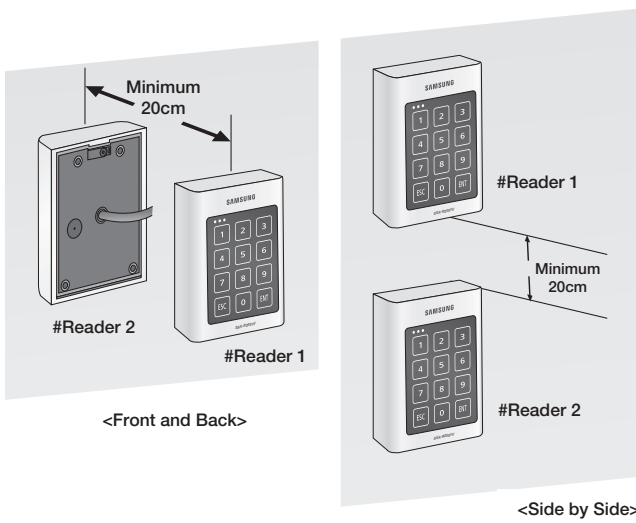
To avoid this problem, it is recommended to insert the spacer between the metal wall and the reader as shown below.



IF INSTALLING MORE THAN ONE READER SIDE BY SIDE OR FRONT AND BACK

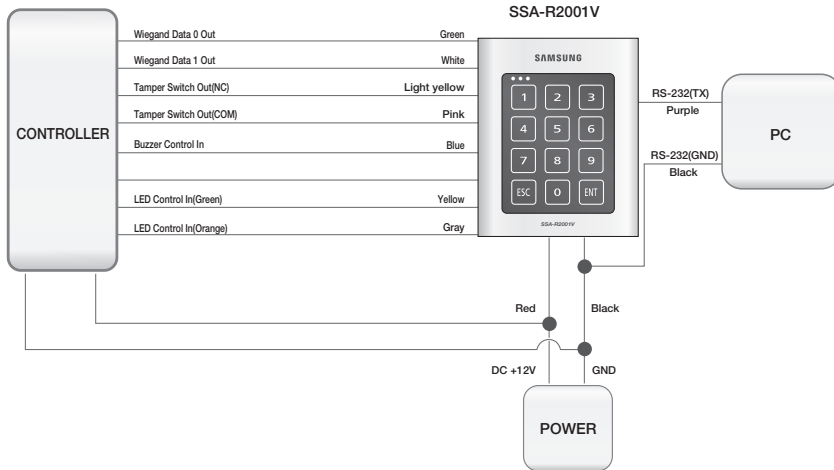
If you install more than one reader side by side or front and back, the read range may be reduced. In this case, if you present a card to one reader, the other reader may recognize the same card, meaning both readers read the same card simultaneously.

To avoid this problem, keep at least 20 cm of space between the two readers.



EXTERNAL CONNECTION

WIRING DIAGRAM



Category	Cable Wiring
Power Supply Unit	Connect the DC+12V to the red line.
	Connect GND to the black line.
Wiegand Connection	Connect the green line of the product to the Wiegand D0 input port of the controller.
	Connect the white line of the product to the Wiegand D1 input port of the controller.
LED Control	Enables you to turn on or off the LED indicators. To control green indicator, connect the yellow line to the controller's output (relay). Connect the Gray to control the orange indicator, connect the white with red stripes to control the red indicator. (see page 12)
Buzzer Control	Enables you to turn on or off the buzzer. To control the buzzer, connect the blue line to the controller's output (relay). (see page 12)
Tamper Control	Connect the COM port (Pink line) of the product's tamper switch to GND; connect the NC port (Light yellow) of the tamper switch to the input port of the controller.
RS-232 Connection	Connect to the COM port of the PC. (Connect pin 2 of the DB-9 connector to the purple line; connect the black of the device (RS-232 GND) to pin 5 of the DB-9 connector)

initialization

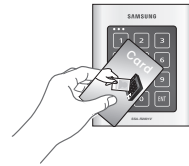
BASIC OPERATIONS

Initial State (when the power is supplied)

When you apply power to the product, it will sound beep five times before entering Standby with the red indicator turned on.

Using the card

Present the card to the product until you hear a beep and the green indicator turns on. The reader keeps the green indicator turned on while transferring the card data to the controller. When it is done, the green indicator turns off and for receiving the next card, the red indicator stays ON.



Using the keypad

Hold down the keypad until you hear a beep. As soon as you press the keypad, the yellow indicator turns on, followed by the reader transferring the keypad data to the controller.

LED Control

You can control both green and orange indicators at will.

To control the green indicator, connect the green-indicator control line (yellow) to NO of the controller relay output, and connect COM to GND. Set I/O of the controller; now you can control turning on/off the indicator.

You can turn on/off the indicators according to the I/O settings of the controller, which can be applied to various situations.

For more information about the I/O settings of the controller, refer to the user manual of the controller.

To control the orange indicator, connect the gray line to NO of the controller.

Buzzer Control

Connect the buzzer control input line (blue) to the NO port of the controller relay output, and GND to the COM port. You can configure the I/O settings of the controller so that it beeps. If the product continues to beep, it means that the buzzer control is working properly.

The controller can use the I/O settings to set the buzzer control so that it sounds an additional beep for authorized or unauthorized access upon user authentication.

Furthermore, you can make various modifications according to the different I/O settings of the controller.

For more information about the I/O settings of the controller, refer to the user manual of the controller.

Card reading is not available while the buzzer control is sounding the buzzer.

Tamper Control

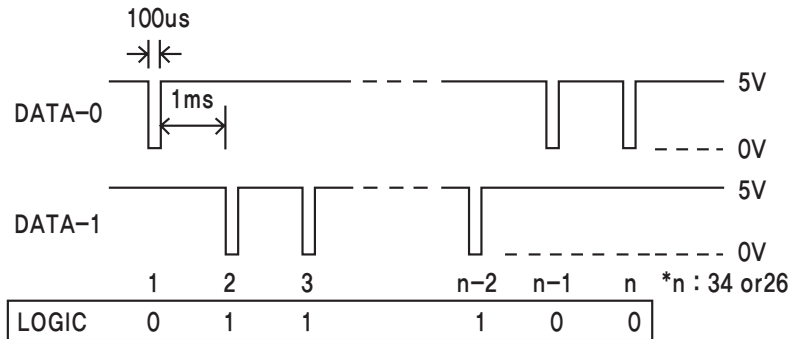
You can set the signal that you want to output if the device is dismantled forcibly.

Connect the COM port (Pink line) of the product's tamper switch to GND; connect the NC port (Light yellow) of the tamper switch to the input port of the controller. If the tamper of the reader operates, the controller produces an input signal and generates the corresponding output depending on the controller setting.

output format

WIEGAND OUTPUT

Timing Diagram



● OUTPUT FORMAT

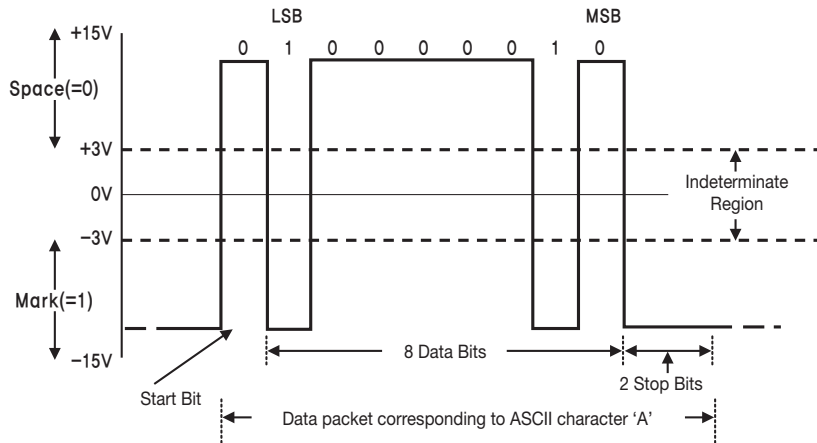
Data Format (34-bit)

- Bit 1 : Even Parity (bit 2 ~ bit 17)
- Bit 2~Bit33 : 4-byte ID Number
- Bit 34 : Odd Parity (bit 18 ~ bit 33)

output format

RS-232 OUTPUT

Output Waveform



Data Type

START (0X02H)	DATA (10 Char)	END (0x03H)	LRC
START(0X02H)	DATA (10 Char)	END (0x03H)	LRC

- ☑ Check the following settings:
 - Baud Rate : 9600bps
 - Data Bit : 8
 - Parity Bit : None
 - Stop Bit : 1
- LRC : This is the result of XOR operation of each byte from Start to End.

8 BIT BURST OUTPUT FORMAT

8Bit Burst Output Format

Keypads	Binary	Hexa	Keypads	Binary	Hexa
0	11110000	F0	6	10010110	96
1	11100001	E1	7	10000111	87
2	11010010	D2	8	01111000	78
3	11000011	C3	9	01101001	69
4	10110100	B4	ESC	01011010	5A
5	10100101	A5	ENT	01001011	4B

troubleshooting

TROUBLESHOOTING

If the product does not function properly, please see the below for trouble shooting.

PROBLEM	SOLUTION
My card is not read properly.	<ol style="list-style-type: none">1) Check the rated voltage specified in the user manual and the catalog.2) Ensure that you are using an ISO14443 Type A card. - Cards of 125 kHz format can not be used. However, the 13.56 MHz card can not be used if it is of Type B, ISO15693. (Contact the card retailer regarding the card format.)3) If the problem persists, contact the nearest customer service for your assistance.
When I turn on the product, it sounds a beep with dimly turned on indicator.	<ol style="list-style-type: none">1) Ensure that you are using a larger-capacity adaptor than specified in the user manual or the catalog, which should cover the rated current consumption of the reader. If you are using multiple readers that are connected to one adaptor, make sure that the adaptor should be large enough to cover the current consumption multiplied by the reader count.2) Even with a large adaptor enough to supply adequate power, if the power cable is not a dedicated line (such as communication line or UPT cable), or if it's so long to cause power loss, you'd better replace it with a dedicated line or reinforce it.3) If the problem persists, contact the nearest customer service for your assistance.
The read range (R/R) of the card differs each time the product reads the card.	<ol style="list-style-type: none">1) The characteristics of a card are determined by the nature of the coils used and in the manufacturing process engaged by the card manufacturer. So what you do first is to check that the cards in use are made by the same manufacturer. If you are using cards from different card makers, the read range (R/R) differs by the card, which is the result of normal operation.2) If you encounter a different read range for each card that is made by the same manufacturer, please contact the nearest customer service.

product specifications

PRODUCT SPECIFICATIONS

Item	SSA-R2001V
Power / Current	DC 12V / Max. 150mA
Reading Time (Card)	30ms
Input Port	2 ea : External LED Control, External Buzzer Control
Output Port	34bit Wiegand, 8bit Burst for PIN
LED Indicator	3 LED Indicators (Red, Green and Yellow)
Beeper	Piezo Buzzer
Keypad	12 Key Touch Keypad with Back Lighting
Operating Temperature	-25°C to +50°C
Operating Humidity	10% to 90% Relative Humidity Non-Condensing
Color / Material	Silver with Black / Polycarbonate & Aluminum Die casting
Dimension (W x H x D(mm))	87.0 x 109.0 x 25.0
Weight	350g ± 10

Correct Disposal of This Product (Waste Electrical & Electronic Equipment)

(Applicable in the European Union and other European countries with separate collection systems)



This marking on the product, accessories or literature indicates that the product and its electronic accessories (e.g. charger, headset, USB cable) should not be disposed of with other household waste at the end of their working life. To prevent possible harm to the environment or human health from uncontrolled waste disposal, please separate these items from other types of waste and recycle them responsibly to promote the sustainable reuse of material resources.

Household users should contact either the retailer where they purchased this product, or their local government office, for details of where and how they can take these items for environmentally safe recycling.

Business users should contact their supplier and check the terms and conditions of the purchase contract. This product and its electronic accessories should not be mixed with other commercial wastes for disposal.

Correct disposal of batteries in this product

(Applicable in the European Union and other European countries with separate battery return systems.)



This marking on the battery, manual or packaging indicates that the batteries in this product should not be disposed of with other household waste at the end of their working life. Where marked, the chemical symbols Hg, Cd or Pb indicate that the battery contains mercury, cadmium or lead above the reference levels in EC Directive 2006/66. If batteries are not properly disposed of, these substances can cause harm to human health or the environment.

To protect natural resources and to promote material reuse, please separate batteries from other types of waste and recycle them through your local, free battery return system.



SALES NETWORK

SAMSUNG TECHWIN CO., LTD.

Samsungtechwin R&D Center, 701, Sampyeong-dong, Bundang-gu, Seongnam-si, Gyeonggi-do, Korea, 463-400
TEL : +82-70-7147-8740~60 FAX : +82-31-8018-3745

SAMSUNG TECHWIN AMERICA Inc.

1480 Charles Willard St, Carson, CA 90746, UNITED STATES
Tol Free : +1-877-213-1222 FAX : +1-310-632-2195
www.samsungcctvusa.com

SAMSUNG TECHWIN EUROPE LTD.

Samsung House, 1000 Hillswood Drive, Hillswood Business
Park Chertsey, Surrey, UNITED KINGDOM KT16 0PS
TEL : +44-1932-45-5300 FAX : +44-1932-45-5325

www.samsungsecurity.com

www.samsungtechwin.com

P/No. : Z8100239101A