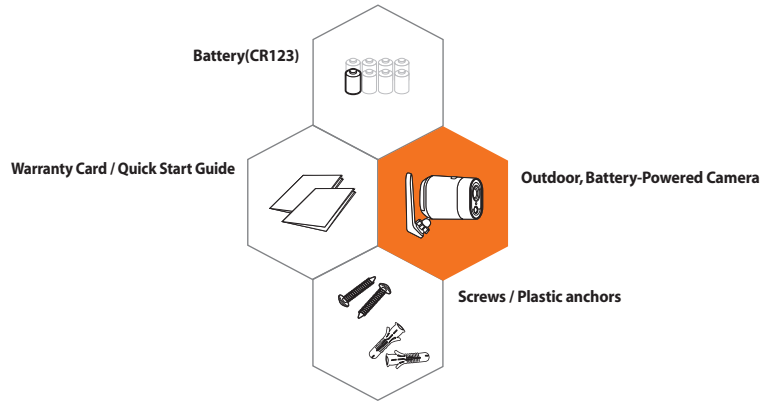
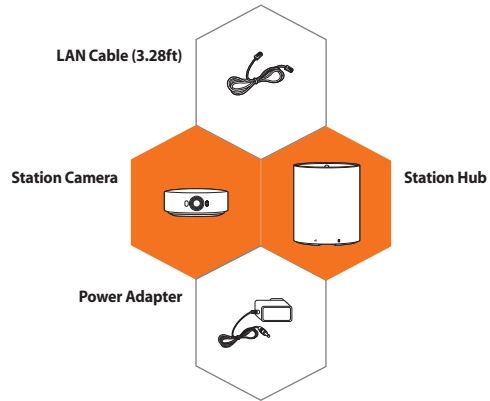


SAMSUNG
WISENET

WISENET SMARTCAM

Quick Start Guide

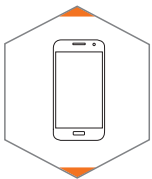
What's in the box



System Requirements

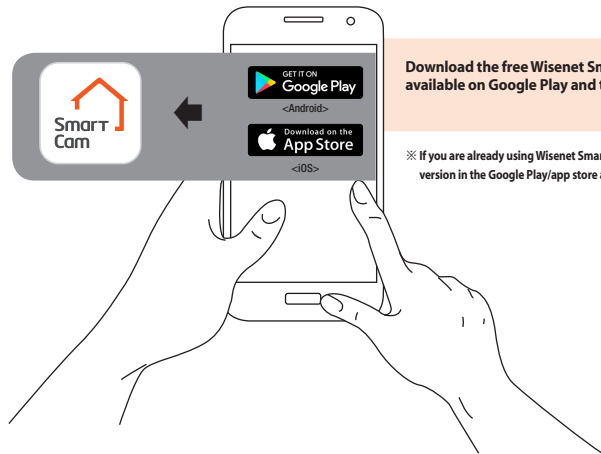


- ▼ Wi-Fi & 900 MHz band
- ▼ Recommended : 3.5Mbps or higher



- ▼ iOS 8 or higher
- ▼ Android OS 5.0 or higher

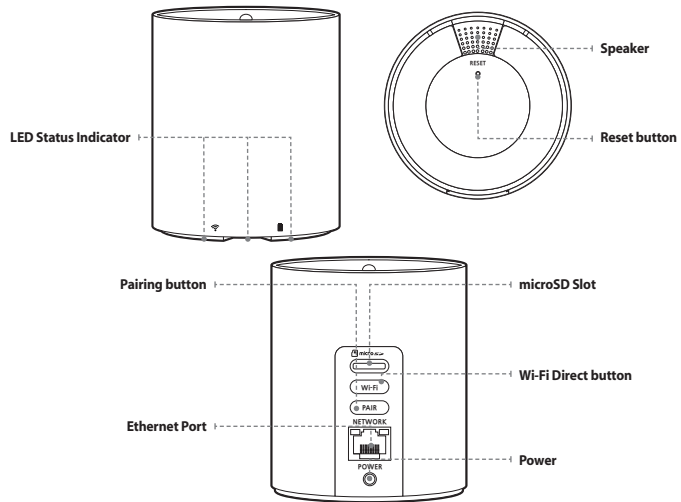
Mobile Application



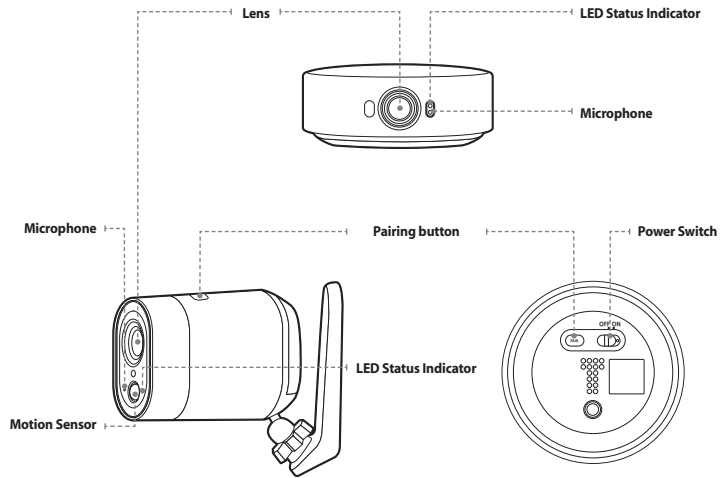
Download the free Wisenet SmartCam app now available on Google Play and the App Store.

※ If you are already using Wisenet SmartCam app, please check the version in the Google Play/app store and update it to the latest version.

Station Hub Overview

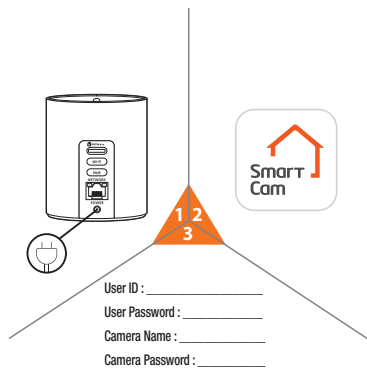


Camera Overview



Create account and register Station Hub

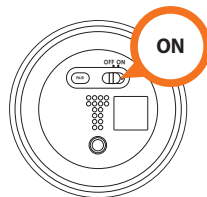
Connect the power adapter to the Station Hub and plug it into the nearest wall outlet.



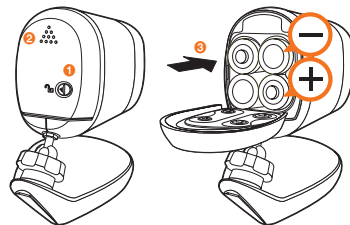
Save your Account and Device information here.

Open the Wisenet SmartCam app and create an account. Follow the on-screen instructions to register.

Camera Power On



Station Camera Power on



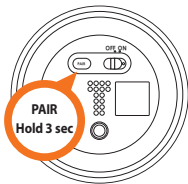
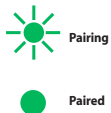
Outdoor Battery-Powered Camera Power on

Pairing the Camera with Station Hub

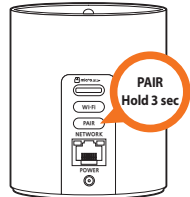
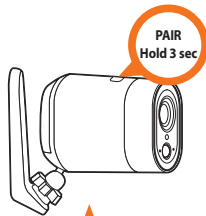
※ For every instance the camera is added, the pairing must be done by pressing the [PAIR] button on each side.

※ Up to 7 Outdoor, Battery-Powered Cameras can be securely paired with the Station Hub.

STEP 1

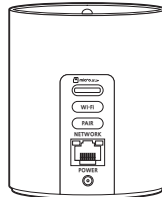
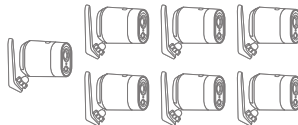


STEP 2



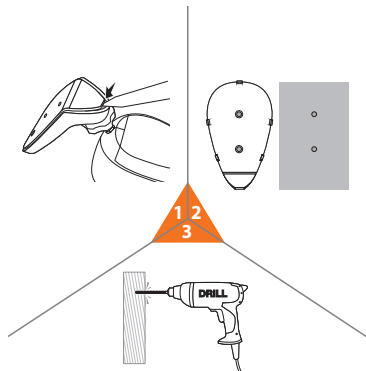
6

STEP 3



Mounting the Camera

Note: If you are mounting the camera on the wall, carefully separate the bracket cover from the bracket. Use a flat-head screwdriver or your hands and gently pry open the bracket cover from the bracket.

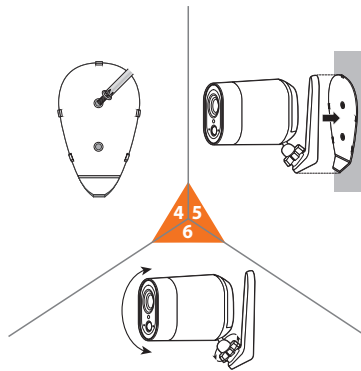


Drill a hole and insert anchors.

Place the bracket cover against the wall where the camera will be mounted and mark the position of the screw holes.

※ Before installing the camera, determine the best location and angle for the camera, and then install it.

Match the bracket cover to the holes on the wall and fasten the screws.

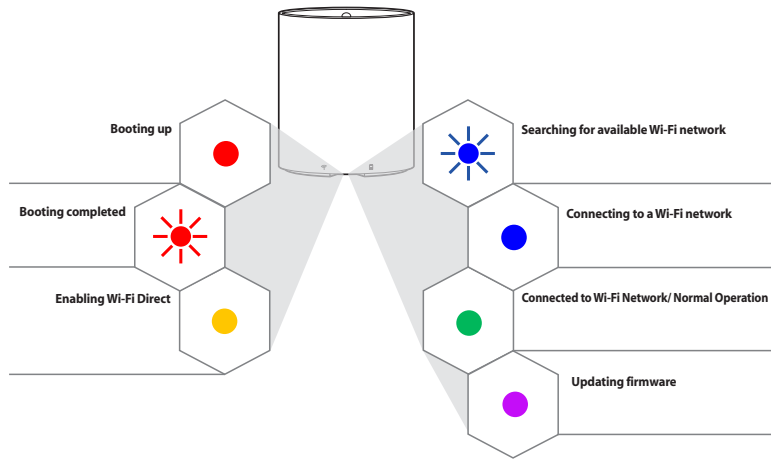


Secure the camera bracket on to the bracket cover.

Adjust the angle of view.

(Do not use force to adjust. Unscrew the lever and adjust accordingly after checking the position of the groove, then re-tighten the lever.)

LED Status Guide Station Hub



Caution

1. Recommended micro SD card
 - It is recommended to use a MLC for higher data density and reliability of recording.
2. We recommend that you use the provided batteries, or well-known brand batteries such as Panasonic, Energizer, or Duracell. Use of counterfeit or low-quality batteries increases the risk of camera malfunction and the possibility of fire.
3. We do not recommend using rechargeable batteries for the Outdoor, Battery-Powered Camera. It increases the risk of camera malfunction and the possibility of fire.
4. Station Camera is not weatherproof. For indoor use only.



Hanwha Techwin cares for the environment at all product manufacturing stages, and is taking measures to provide customers with more environmentally friendly products.

The Eco mark represents Hanwha Techwin's devotion to creating environmentally friendly products, and indicates that the product satisfies the EU RoHS Directive.



Correct Disposal of This Product (Waste Electrical & Electronic Equipment)

(Applicable in the European Union and other European countries with separate collection systems)

This marking on the product, accessories or literature indicates that the product and its electronic accessories (e.g. charger, headset, USB cable) should not be disposed of with other household waste at the end of their working life. To prevent possible harm to the environment or human health from uncontrolled waste disposal, please separate these items from other types of waste and recycle them responsibly to promote the sustainable reuse of material resources.

Household users should contact either the retailer where they purchased this product, or their local government office, for details of where and how they can take these items for environmentally safe recycling.

Business users should contact their supplier and check the terms and conditions of the purchase contract. This product and its electronic accessories should not be mixed with other commercial wastes for disposal.



Correct disposal of batteries in this product

(Applicable in the European Union and other European countries with separate battery return systems.)

This marking on the battery, manual or packaging indicates that the batteries in this product should not be disposed of with other household waste at the end of their working life. Where marked, the chemical symbols Hg, Cd or Pb indicate that the battery contains mercury, cadmium or lead above the reference levels in EC Directive 2006/66. If batteries are not properly disposed of, these substances can cause harm to human health or the environment.

To protect natural resources and to promote material reuse, please separate batteries from other types of waste and recycle them through your local, free battery return system.

Wireless Operation Mode

- Station Hub

WI-FI 802.11 b/g/n (Single-band)

2 412 MHz ~ 2 462 MHz (11b/g/n_HT20), 2 422 MHz ~ 2 452 MHz (11n_HT40)

WI-FI 802.11 a/b/g/n (Dual-band)

2.4GHz : 2 412 MHz ~ 2 462 MHz (11b/g/n_HT20), 2 422 MHz ~ 2 452 MHz (11n_HT40)

UNII-1 : 5 180 MHz ~ 5 240 MHz (11a/n_HT20, 11ac_VHT20), 5 190 MHz ~ 5 230 MHz (11n_HT40, 11ac_VHT40), 5 210 MHz (11ac_VHT80)

UNII-2A : 5 260 MHz ~ 5 320 MHz (11a/n_HT20, 11ac_VHT20), 5 270 MHz ~ 5 310 MHz (11n_HT40, 11ac_VHT40), 5 290 MHz (11ac_VHT80)

UNII-2C : 5 500 MHz ~ 5 720 MHz (11a/n_HT20, 11ac_VHT20), 5 510 MHz ~ 5 710 MHz (11n_HT40, 11ac_VHT40), 5 530 MHz ~ 5 690 MHz (11ac_VHT80)

UNII-3 : 5 745 MHz ~ 5 825 MHz (11a/n_HT20, 11ac_VHT20), 5 755 MHz ~ 5 795 MHz (11n_HT40, 11ac_VHT40), 5 775 MHz (11ac_VHT80)

900MHz module : 920.6 MHz ~ 922.0 MHz

- Station Camera

WI-FI 802.11 b/g/n (Single-band)

2 412 MHz ~ 2 462 MHz (11b/g/n_HT20), 2 422 MHz ~ 2 452 MHz (11n_HT40)

- Outdoor, Battery- Powered Camera

WI-FI 802.11 b/g/n (Single-band)

2 412 MHz ~ 2 462 MHz (11b/g/n_HT20)

900MHz module : 920.6 MHz ~ 922.0 MHz

FCC Compliance Statement

This device complies with part 15 of the FCC rules. Operation is subject to the following two conditions: (1) This device may not cause harmful interference, and (2) this device must accept any interference received, including interference that may cause undesired operation.

FCC Interference Statement

This equipment has been tested and found to comply with the limits for a Class B digital device, pursuant to part 15 of the FCC Rules. These limits are designed to provide reasonable protection against harmful interference in a residential installation. This equipment generates, uses and can radiate radio frequency energy and, if not installed and used in accordance with the instructions, may cause harmful interference to radio communications. However, there is no guarantee that interference will not occur in a particular installation. If this equipment does cause harmful interference to radio or television reception, which can be determined by turning the equipment off and on, the user is encouraged to correct the interference by one of the following measures:

- Reorient or relocate the receiving antenna.
- Increase the separation between the equipment and receiver.
- Connect the equipment into an outlet on a circuit different from which the receiver is connected.
- Consult the dealer or an experienced radio/TV technician for help.

FCC Caution

Any changes or modifications not expressly approved by the party responsible for compliance could void the user's authority to operate this equipment. This transmitter must not be co-located or operating in conjunction with any other antenna or transmitter.

FCC Radiation Exposure Statement

This equipment complies with FCC radiation exposure limits set forth for an uncontrolled environment. This equipment should be installed and operated with minimum distance 20 cm between the radiator and your body. This transmitter must not be co-located or operating in conjunction with any other antenna or transmitter.

IEEE 802.11b or 802.11g operation of this product in the USA is firmware-limited to channels 1 through 11.

If the device is going to be operated in the 5.15 - 5.25 frequency range, then it is restricted to indoor environment only. This device meets all other requirements specified in Part 15E, Section 15.407 of the FCC Rules.

Industry Canada Statement

This device complies with RSS-247 of the Industry Canada Rules. Operation is subject to the following two conditions: (1) This device may not cause harmful interference, and (2) this device must accept any interference received, including interference that may cause undesired operation. Ce dispositif est conforme à la norme CNR-247 d'Industrie Canada applicable aux appareils radio exempts de licence. Son fonctionnement est sujet aux deux conditions suivantes: (1) le dispositif ne doit pas produire de brouillage préjudiciable, et (2) ce dispositif doit accepter tout brouillage reçu, y compris un brouillage susceptible de provoquer un fonctionnement indésirable.

Industry Canada Caution

(i) the device for operation in the band 5150-5250 MHz is only for indoor use to reduce the potential for harmful interference to co-channel mobile satellite systems; (ii) high-power radars are allocated as primary users (i.e. priority users) of the bands 5250- 5350 MHz and 5650-5850 MHz and that these radars could cause interference and/or damage to LE-LAN devices.

Avertissement:

(i) les dispositifs fonctionnant dans la bande 5 150-5 250 MHz sont réservés uniquement pour une utilisation à l'intérieur afin de réduire les risques de brouillage préjudiciable aux systèmes de satellites mobiles utilisant les mêmes canaux; (ii) De plus, les utilisateurs devraient aussi être avisés que les utilisateurs de radars de haute puissance sont désignés utilisateurs principaux (c.-à-d., qu'ils ont la priorité) pour les bandes 5 250-5 350 MHz et 5 650-5 850 MHz et que ces radars pourraient causer du brouillage et/ou des dommages aux dispositifs LAN-EL.

Industry Canada Radiation Exposure Statement

This equipment complies with IC radiation exposure limits set forth for an uncontrolled environment. This equipment should be installed and operated with minimum distance 20 cm between the radiator & your body.

Déclaration d'exposition aux radiations

Cet équipement est conforme aux limites d'exposition aux rayonnements IC établies pour un environnement non contrôlé. Cet équipement doit être installé et utilisé avec un minimum de 20 cm de distance entre la source de rayonnement et votre corps.

SAMSUNG
wiSeNET