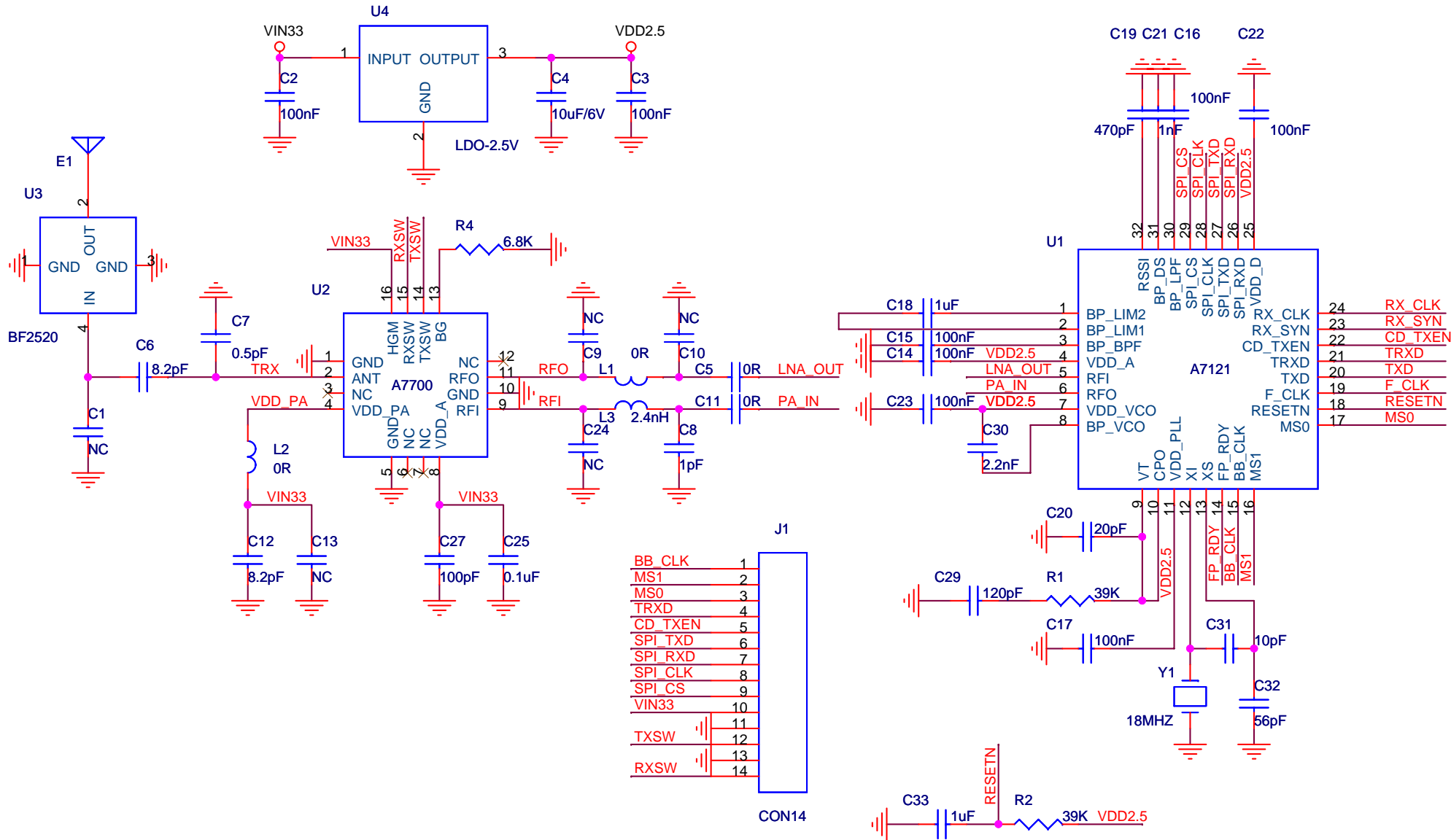


MODEL:	SEW-3037
Description:	SEW-3037 PARENT UNIT
SCH FILE NAME:	Parent Unit
VERSION:	00
Checked By:	DATE
Drawn By:	DATE
PCB Layout By:	DATE
ELE.Engineer By:	DATE
WangCheng Aug 15, 12	

Manufacturer:	Samsung
Page:	1 OF 1



Title		
<Title> 17dbm 2.4GHZ wireless RF module		
Size	Document Number	Rev
A	<Doc>	V12
Date:	Monday, August 27, 2012	Sheet 1 of 1