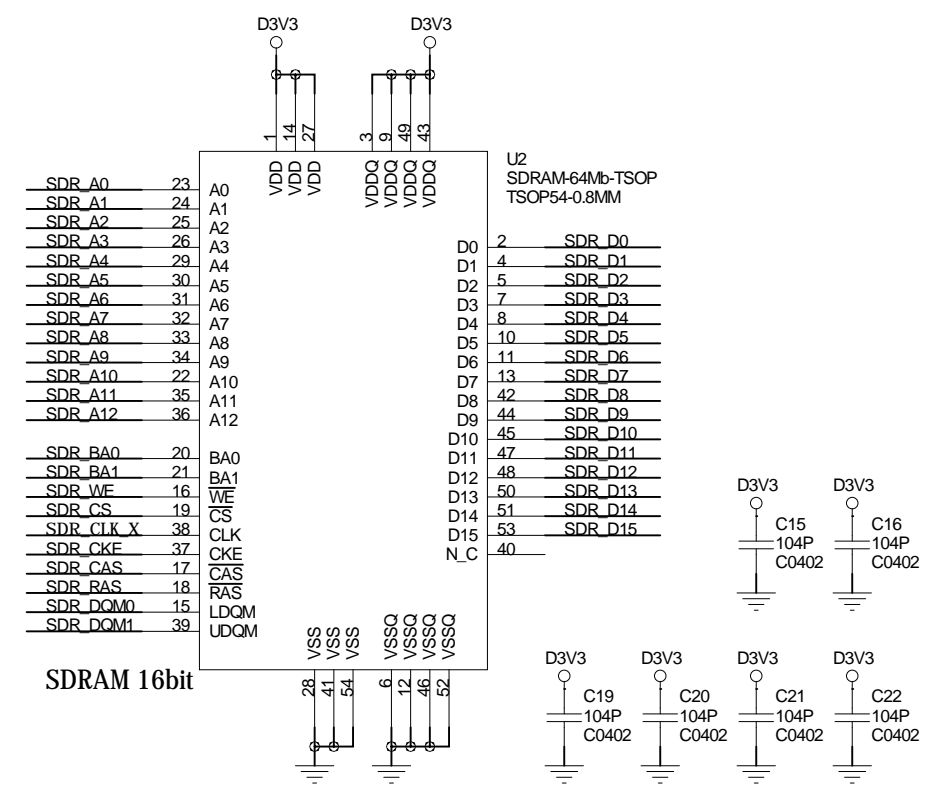
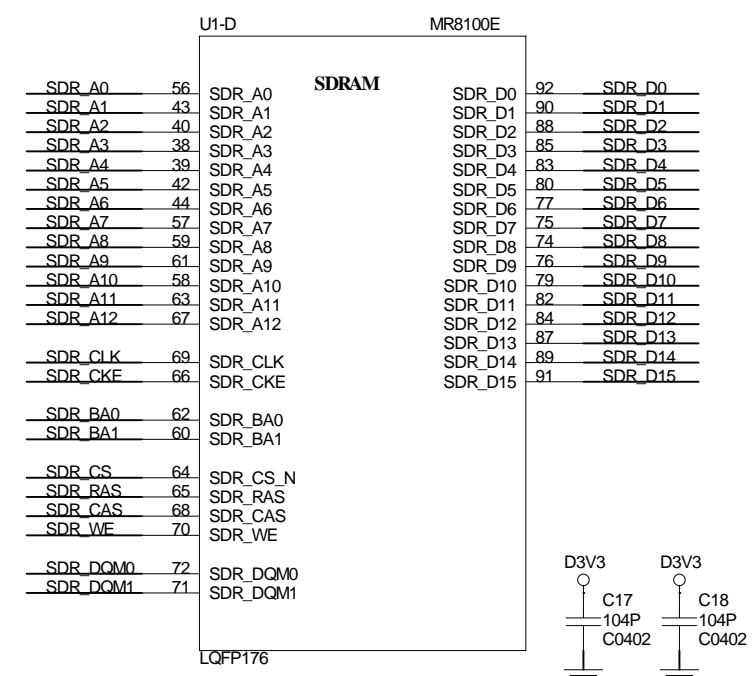
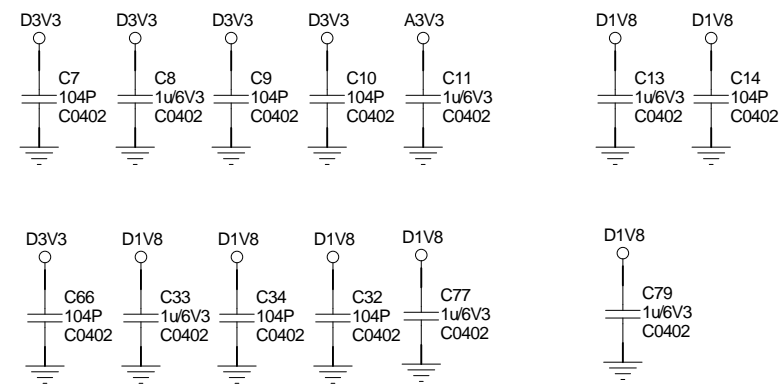
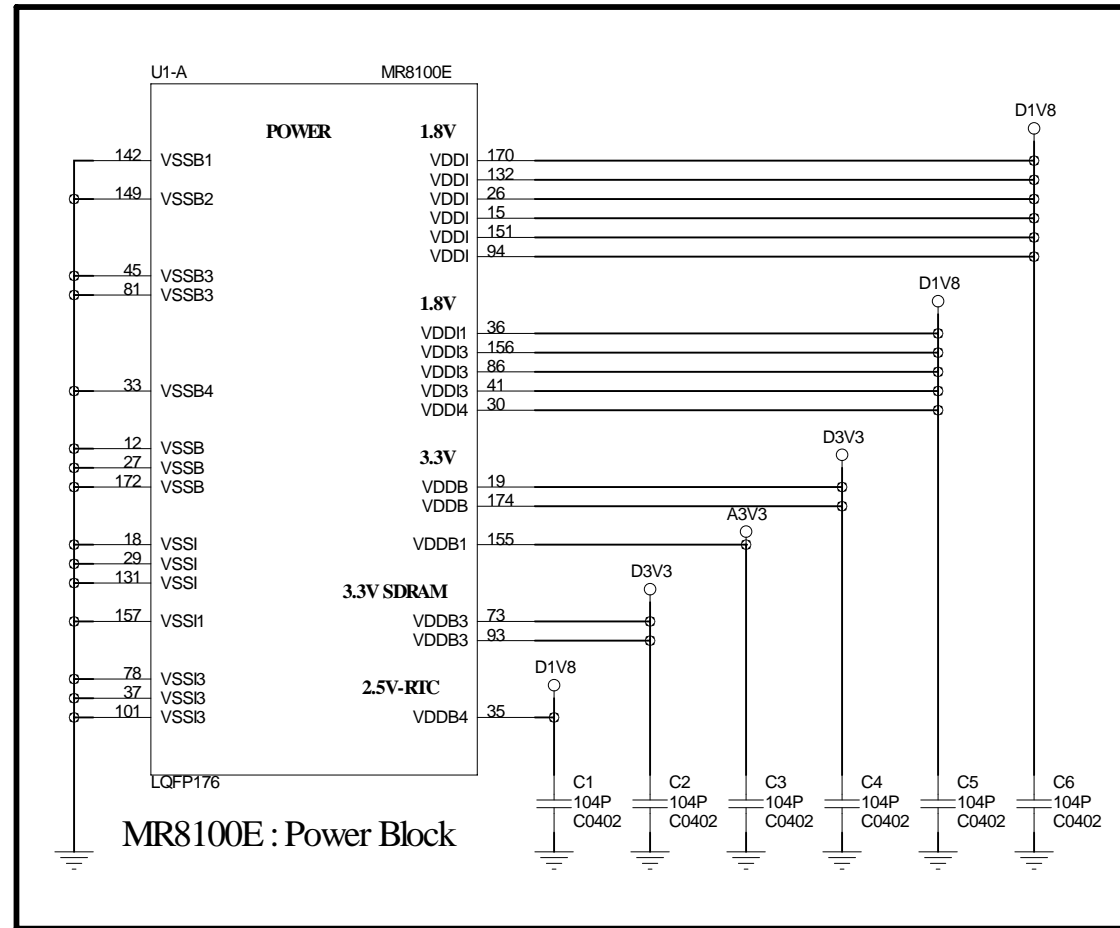
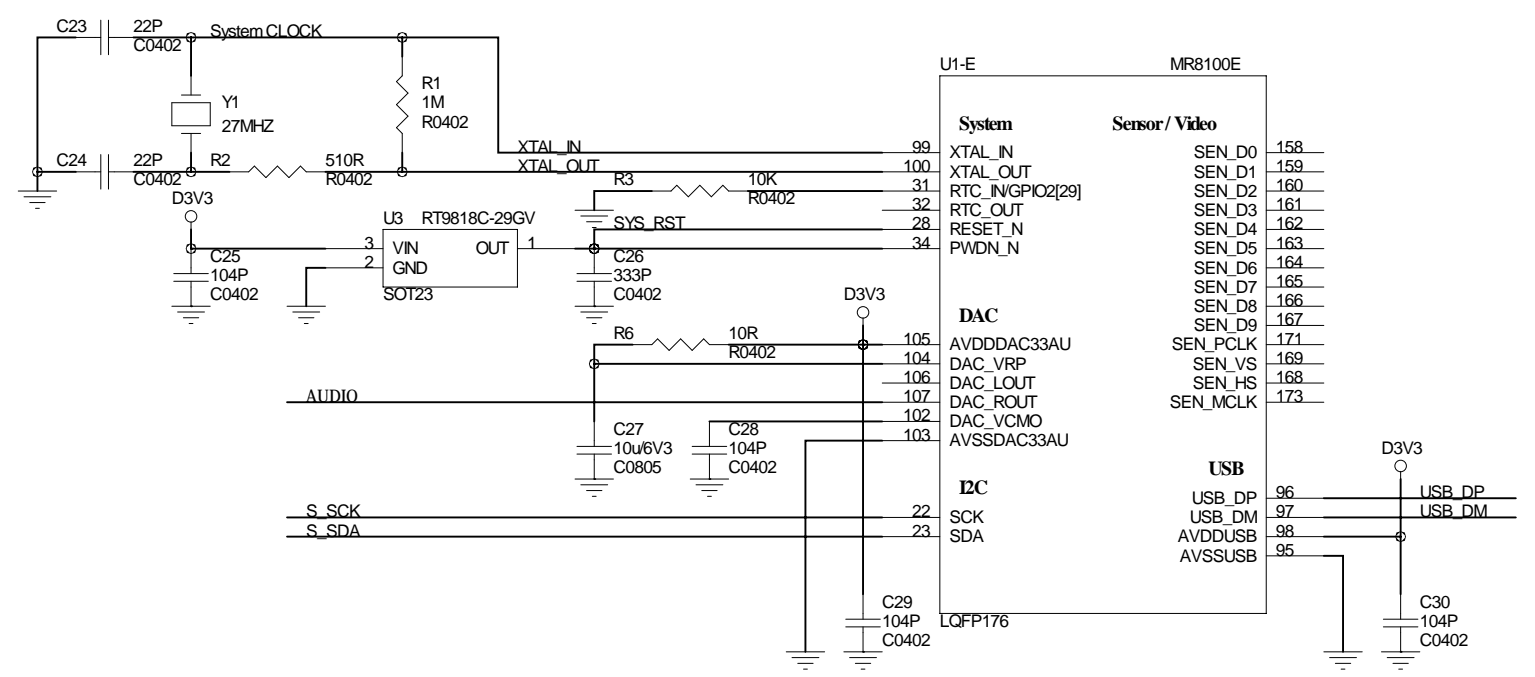


**Appendix 5.**

# Schematics

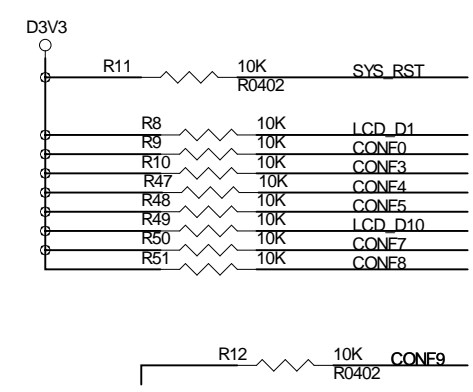
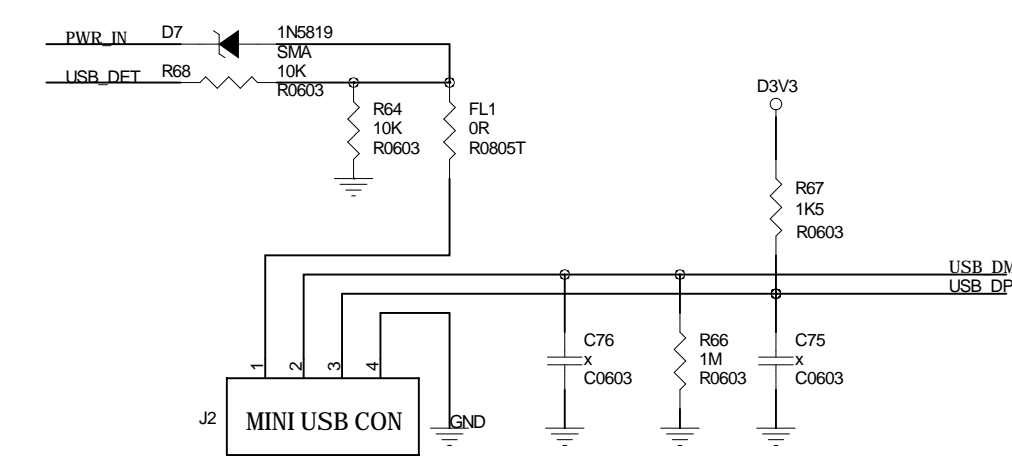


COMPANY: RDI		
TITLE: SEW-2000W Receiver		
MODEL NO: RDI960	REV: 1.3	
PCB NO: RDI960	REV: 1.3	
DRAWN: Bruce	DATED: 2011-11-12	
CHECKED:	DATED:	
APPROVED:	DATED:	
SCALE: 1:1	SIZE: A3	SHEET: 1 OF 4

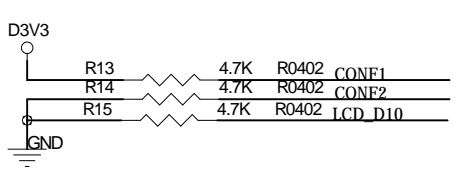
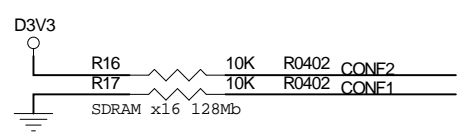


AUDIO

S\_SCK  
S\_SDA

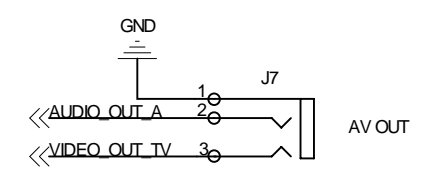
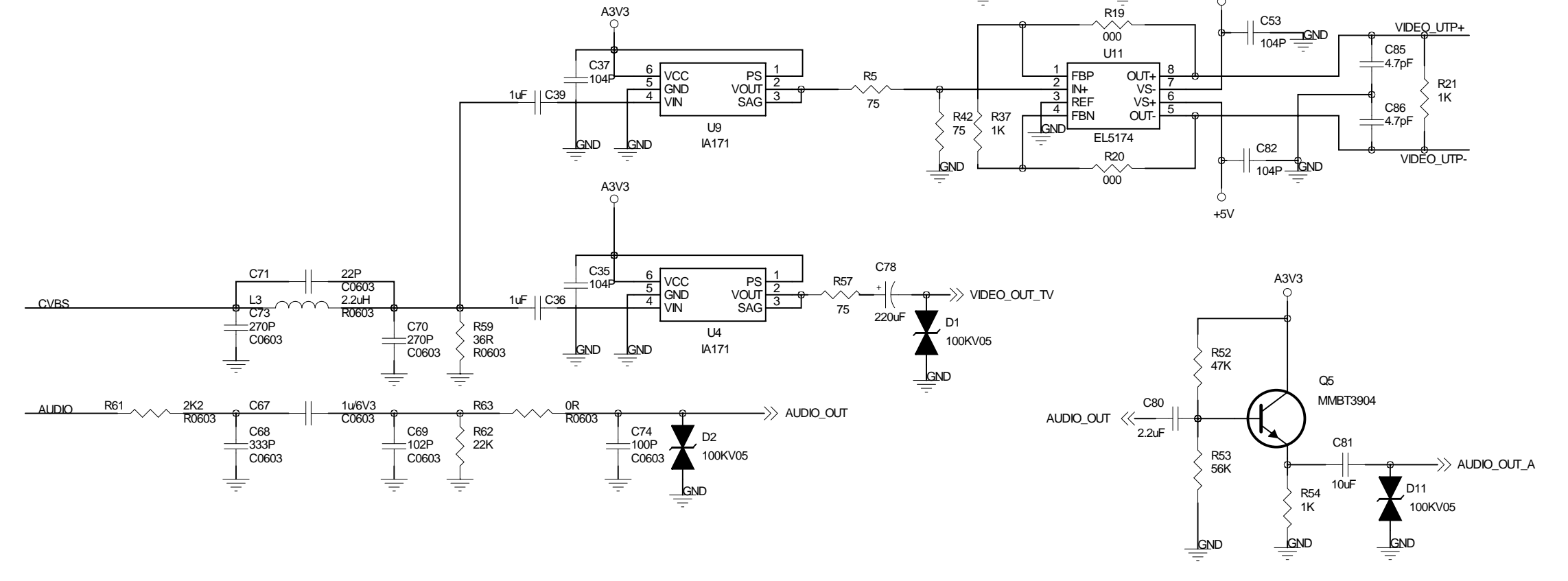
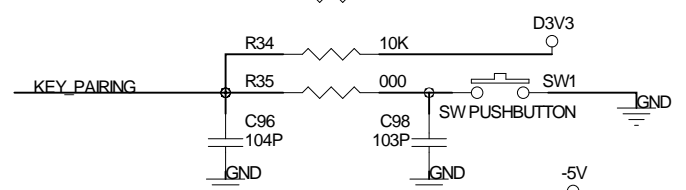
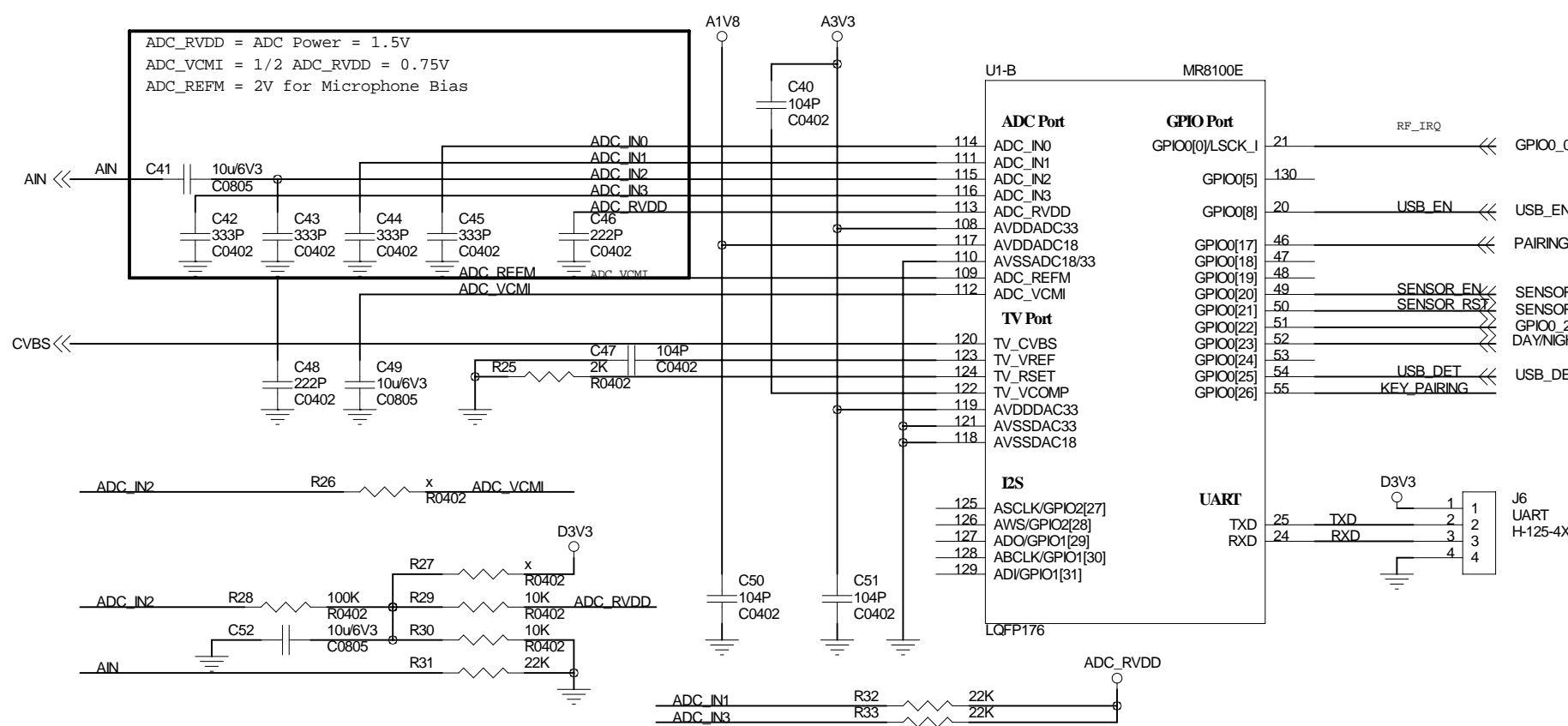


CONF	9 / 8	BOOT Source
0	1	SPI_BOOT
1	1	SD_BOOT

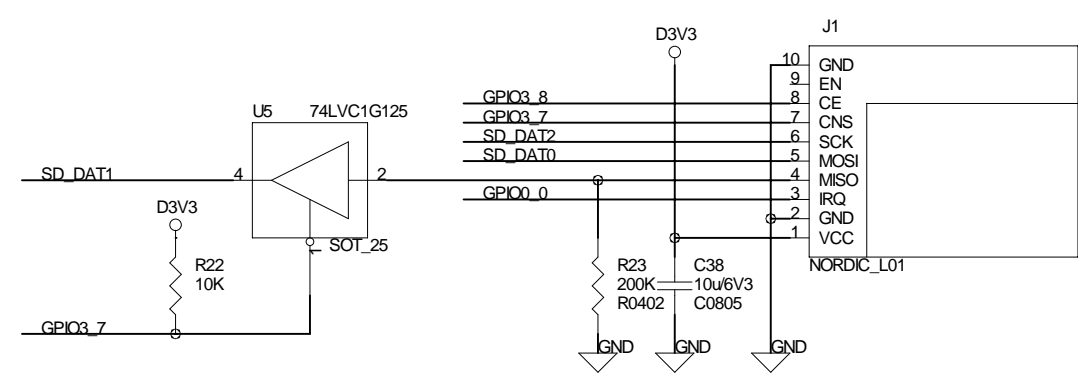
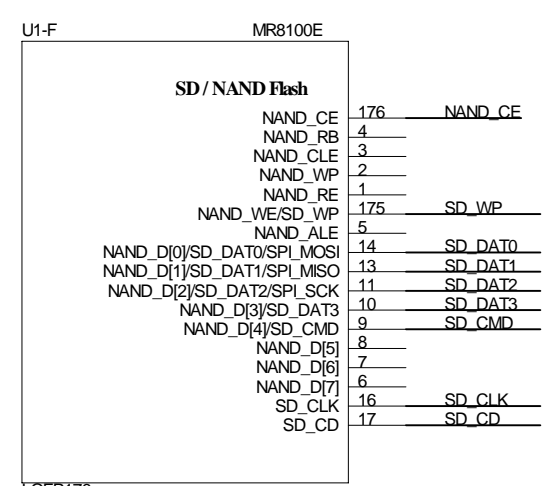
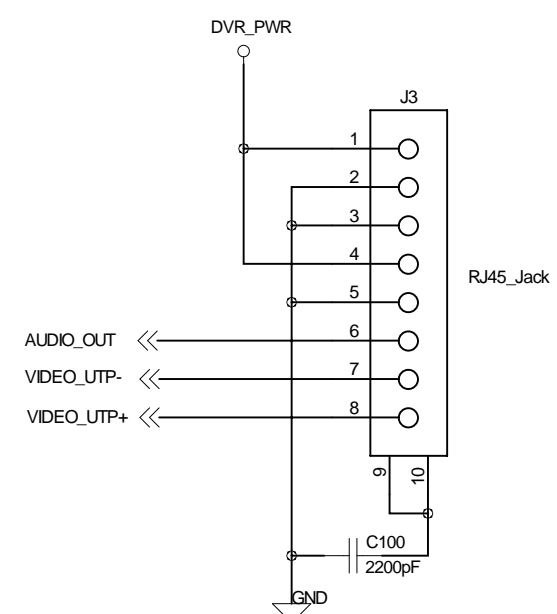
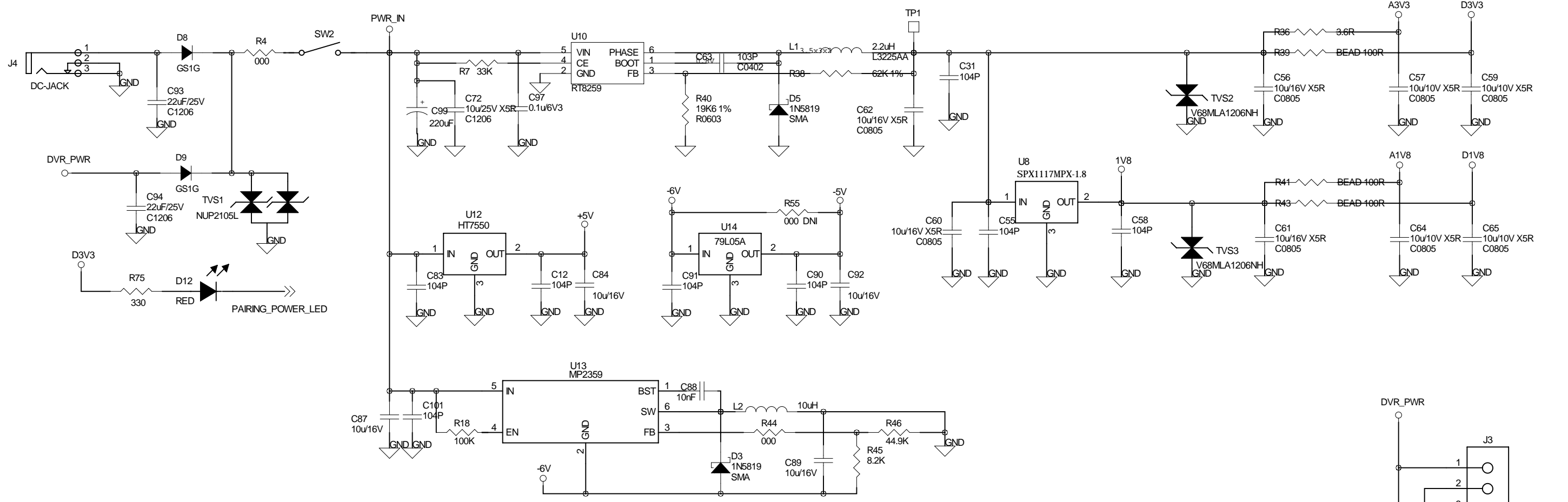


Note: For 128Mb SDRAM, R13,R14,R15 do not install

COMPANY: <b>RDI</b>	
TITLE: <b>SEW-2000W Receiver</b>	
MODEL NO: <b>RDI960</b>	REV: 1.3
PCB NO: <b>RDI960</b>	REV: 1.3
DRAWN: Bruce	DATED: 2011-11-12
CHECKED:	DATED:
APPROVED:	DATED:
SCALE: 1:1	SIZE: A3
SHEET: 2 OF 4	

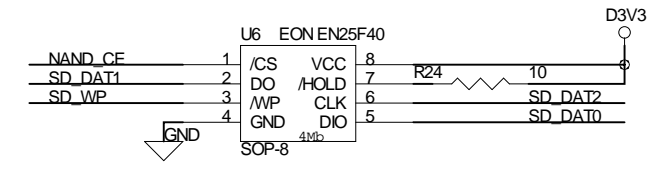


COMPANY: RDI	
TITLE: SEW-2000W Receiver	
MODEL NO: RDI960	REV: 1.3
PCB NO: RDI960	REV: 1.3
DRAWN: Bruce	DATED: 2011-11-12
CHECKED:	DATED:
APPROVED:	DATED:
SCALE: 1:1	SIZE: A3
SHEET: 3 OF 4	

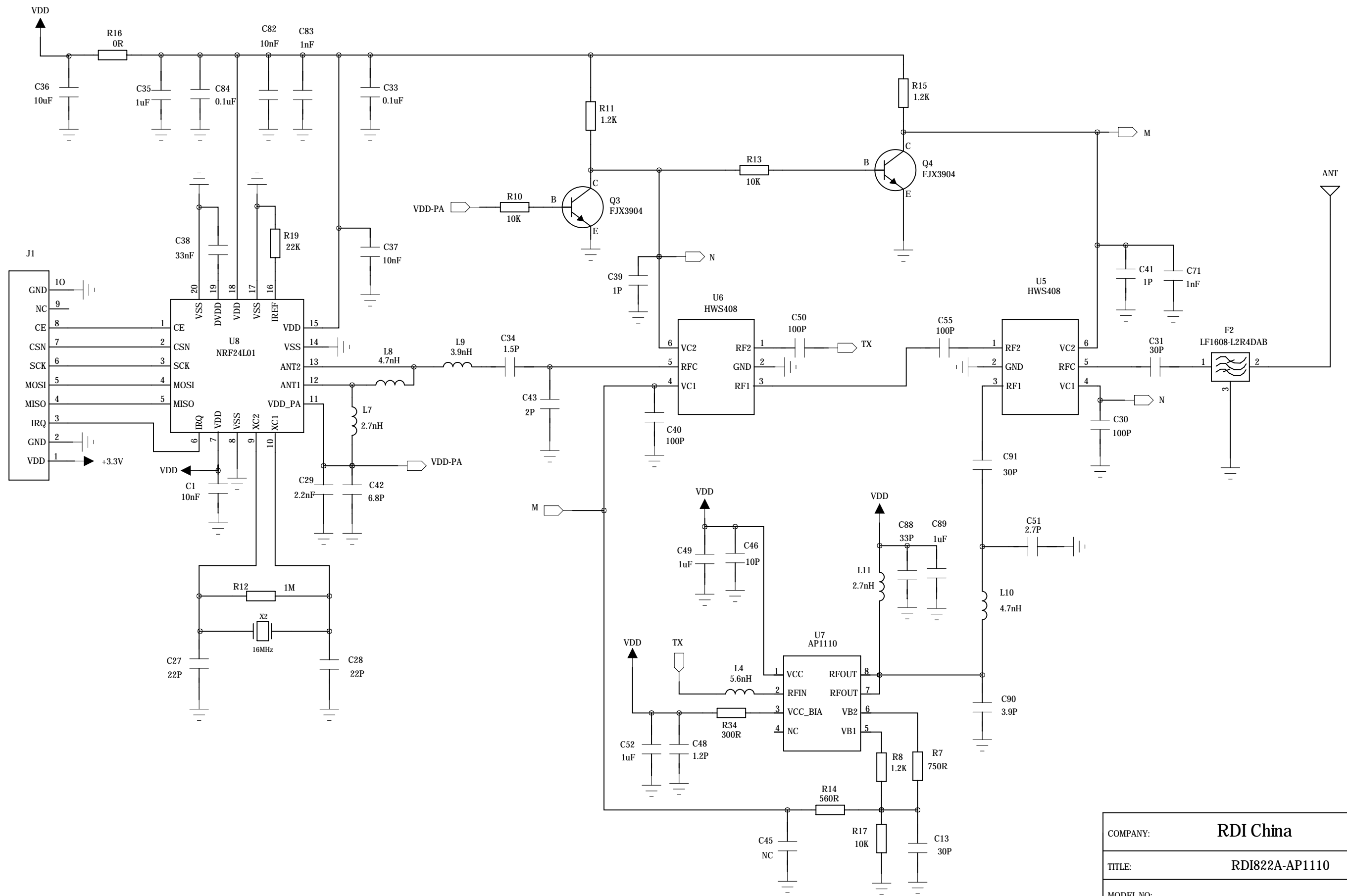


HW define for Flash Memory

MR8000	SPI Flash	SD Card
SD_WP	=>	=> SD_WP
SD_DAT0	=> SPI_MOSI	=> SD_DTA0
SD_DAT1	=> SPI_MISO	=> SD_DTA1
SD_DAT2	=> SPI_CLK	=> SD_DTA2
SD_CMD	=>	=> SD_CMD
SD_CLK	=>	=> SD_CLK
SD_CD	=>	=> SD_CD



COMPANY:	RDI		
TITLE:	SEW-2000W Receiver		
MODEL NO:	RDI960	REV: 1.3	
PCB NO:	RDI960	REV: 1.3	
DRAWN:	Bruce	DATED:	2011-11-12
CHECKED:		DATED:	
APPROVED:		DATED:	
SCALE:	1:1	SIZE:	A3
		SHEET:	4 OF 4



COMPANY:		RDI China	
TITLE:		RDI822A-AP1110	
MODEL NO:		REV:	
PCB NO:		REV:	1.1
DRAWN:	WYH	DATED:	2011-12-29
CHECKED:		DATED:	
APPROVED:		DATED:	
SCALE:	1:1	SIZE:	A3
		SHEET:	OF 1