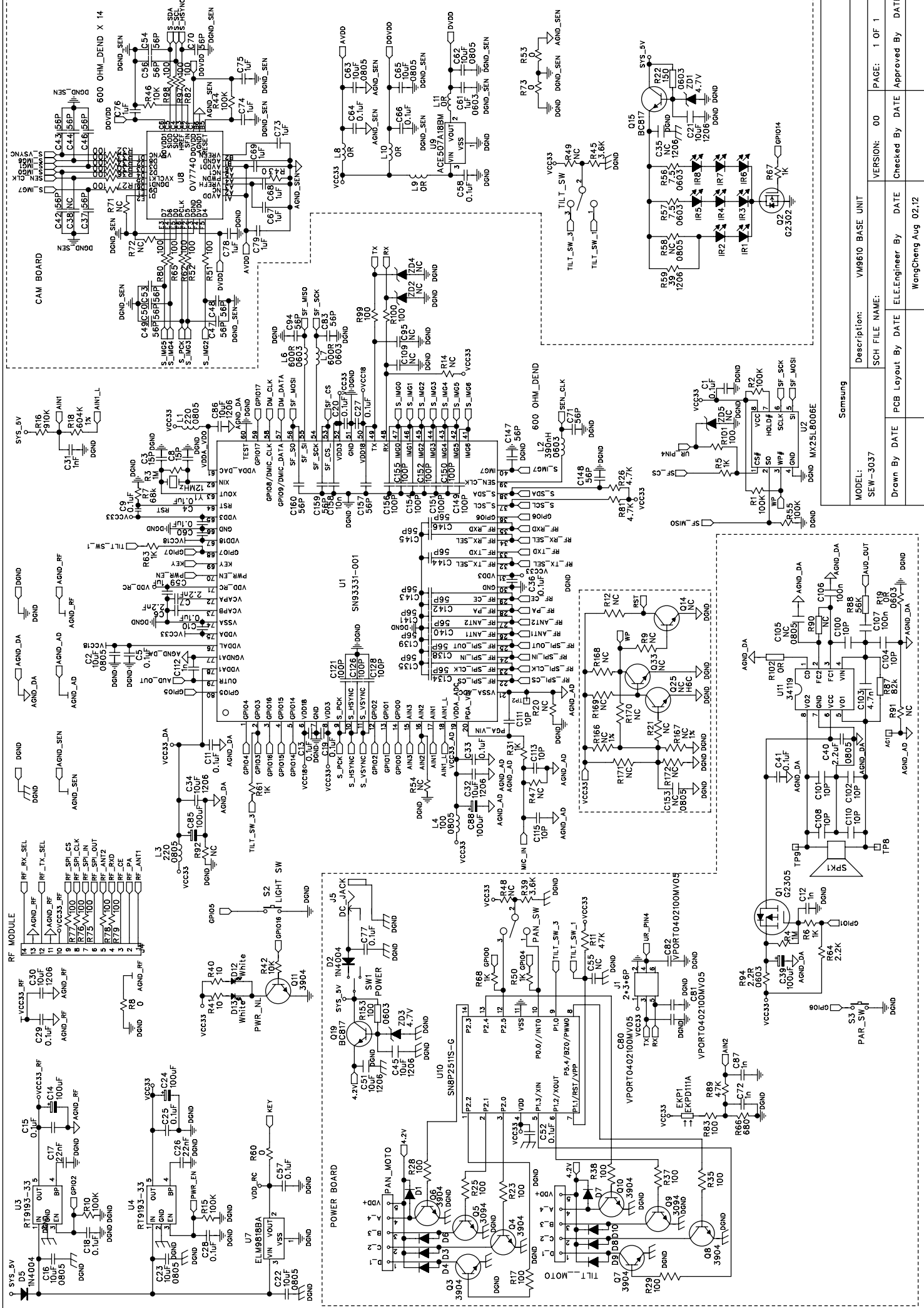
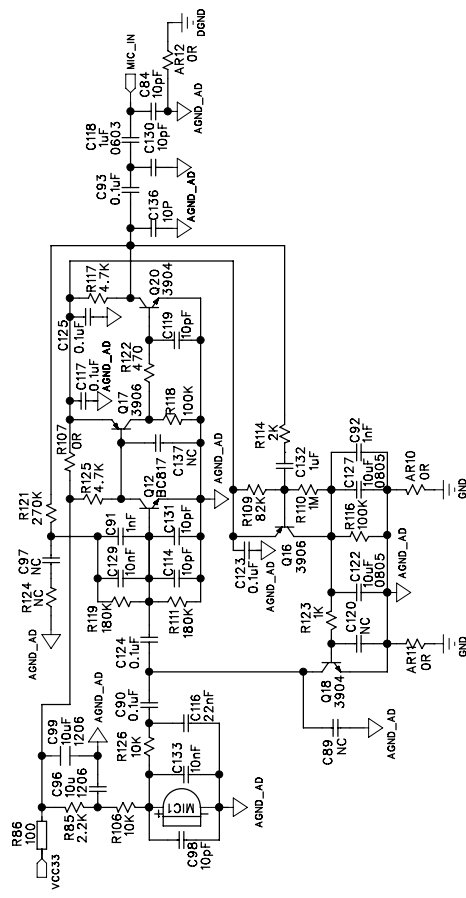


Appendix 5.

Schematics

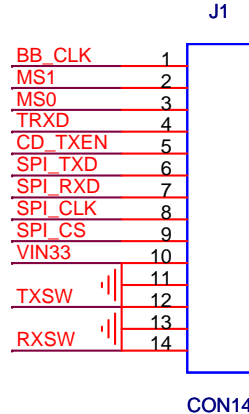
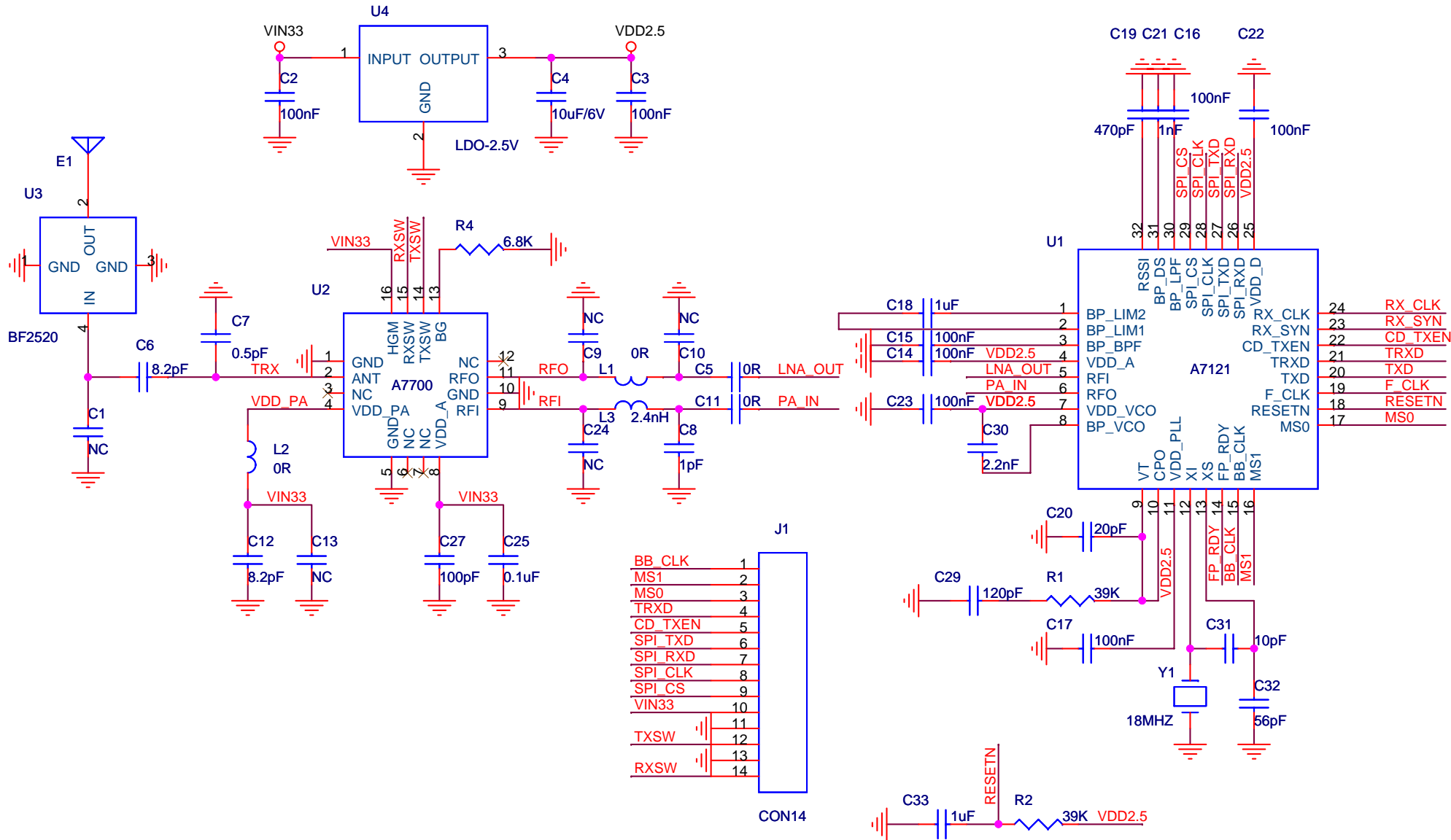


MODEL:	SEW-3037	DESCRIPTION:	VM8610 BASE UNIT
Drawn By DATE	PCB Layout By DATE	ELE.Engineer By DATE	Checked By DATE
WongCheng Aug 02,12			
Samsung		VERSION:	00
		SCH FILE NAME:	
		Checked By DATE	Approved By DATE
		PAGE:	1 OF 1



Samsung

MODEL: SEW-3037		Description: VM900 BASE UNIT		VERSION: 00	PAGE: 1 OF 1
Drawn By DATE	PCB Layout By DATE	ELE.Engineer By DATE	Checked By DATE	Approved By DATE	
					WongCheng Aug 02,12



Title		
<Title> 17dbm 2.4GHZ wireless RF module		
Size	Document Number	Rev
A	<Doc>	V12
Date:	Monday, August 27, 2012	Sheet 1 of 1