

## SEB-1015/1016/1017/1018 2.4Ghz digital wireless camera

### Architecture:

SEB-1015/1016/1017/1018 is a low cost and high performance digital Wireless camera which integrates M-JPEG codec , FHSS base band , RF transceiver ,CMOS sensor color processing unit , ADPCM codec, The base- band implement a Bluetooth like frequency adaptive hopping technology to prevent being jammed by microwave oven and other 2.4GHz devices. It can co-existence with Bluetooth, WLAN and other 2.4GHz digital-modulated devices.

SEB-1015/1016/1017/1018 2.4Ghz Digital Wireless camera hardware architecture is show in Block diagram

- Auto ACK & retransmit On the air max. data rate 2Mbps
- Software selectable channel form 2400MHz to 2525MHz (125 Selectable channels)
- Intelligent frequency hopping (change RF channel automatically)
- Support AV Out
- Support SD
- Support Sound level indicate

nRF24L01 is a single chip radio transceiver for the world wide 2.4 -2.5 GHz ISM band. The transceiver consists of a fully integrated frequency synthesizer, a power amplifier, a crystal oscillator, a demodulator, modulator and Enhanced ShockBurst™ protocol engine. Output power, frequency channels, and protocol setup are easily programmable through a SPI interface. Current consumption is very low, only 9.0mA at an output power of -6dBm and 12.3mA in RX mode. Built-in Power Down and Standby modes makes power saving easily realizable.

A simplified block diagram of the nRF24L01 is shown in figure 2

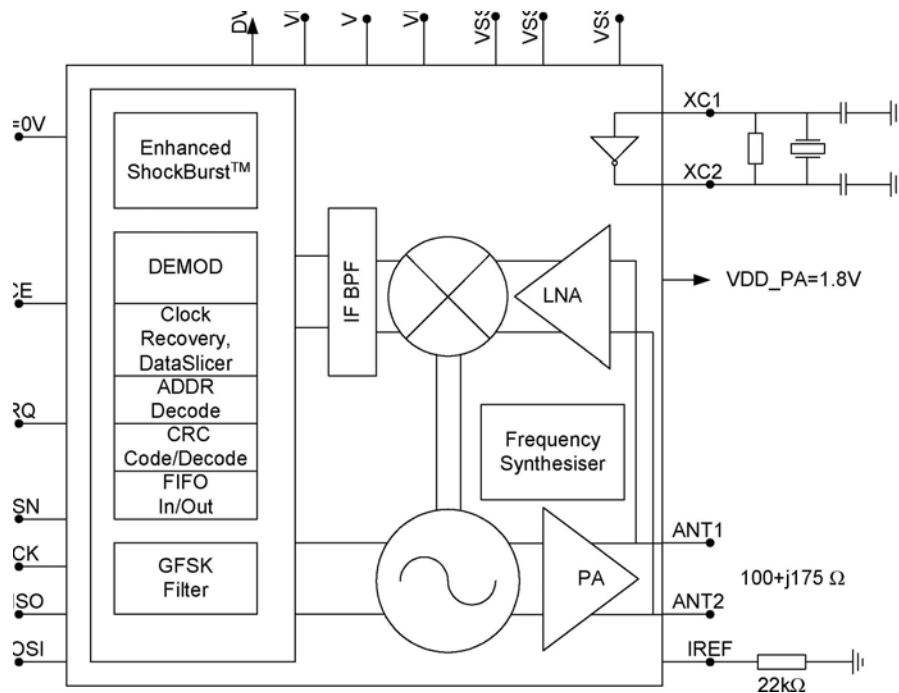


Figure 2 : nRF24L01 Block Diagram

### Packet Handling Methods

nRF24L01 has the following Packet Handling Methods:

ShockBurst™ (compatible with nRF2401, nRF24E1, nRF2402 and nRF24E2 with 1Mbps data rate, see page 24)

Enhanced ShockBurst™

### ShockBurst™

ShockBurst™ makes it possible to use the high data rate offered by nRF24L01 without the need of a costly, high-speed microcontroller (MCU) for data processing/clock recovery. By placing all high speed signal processing related to RF protocol on-chip, nRF24L01 offers the application microcontroller a simple SPI compatible interface, the data rate is decided by the interface-speed the micro controller itself sets up. By allowing the digital part of the application to run at low speed, while maximizing the data rate on the RF link, ShockBurst™ reduces the average current consumption in applications. In ShockBurst™ RX, IRQ notifies the MCU when a valid address and payload is received respectively. The MCU can then clock out the received payload from an nRF24L01 RX FIFO. In ShockBurst™ TX, nRF24L01 automatically generates preamble and CRC, see Table 12. IRQ notifies the MCU that the transmission is completed. All together, this means reduced memory demand in the MCU resulting in a low cost MCU, as well as reduced software development time. nRF24L01 has a three level deep RX FIFO (shared between 6 pipes) and a three level deep TX FIFO. The MCU can access the FIFOs at any time, in power down mode, in standby modes, and during RF packet transmission. This allows the slowest possible SPI interface compared to the average data rate, and may enable usage of an MCU without hardware SPI.

## Enhanced ShockBurst™

Enhanced ShockBurst™ is a packet handling method with functionality that makes bi-directional link protocol implementation easier and more efficient. In a typical bi-directional link, one will let the terminating part acknowledge received packets from the originating part in order to make it possible to detect data loss. Data loss can then be recovered by retransmission. The idea with Enhanced ShockBurst™ is to let nRF24L01 handle both acknowledgement of received packets and retransmissions of lost packets, without involvement from the microcontroller.

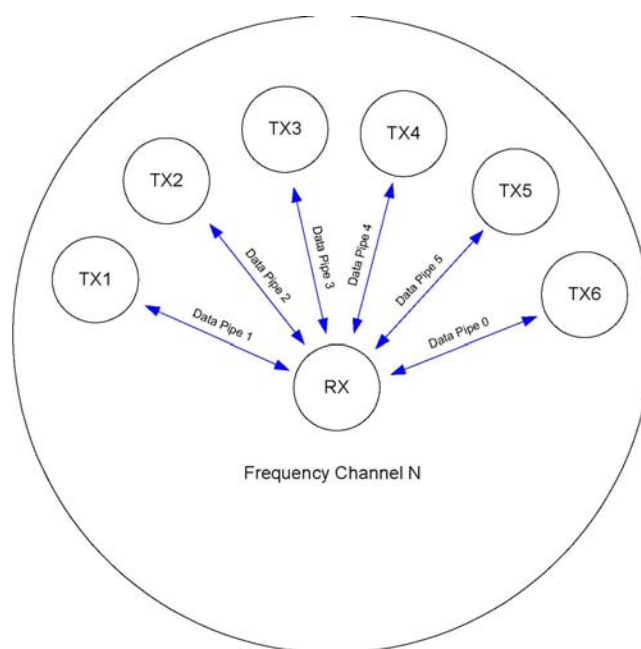


Figure 3: nRF24L01 in a star network configuration

An nRF24L01 configured as primary RX (PRX) will be able to receive data through 6 different data pipes, see Figure 3. A data pipe will have a unique address but share the same frequency channel. This means that up to 6 different nRF24L01 configured as primary TX (PTX) can communicate with one nRF24L01 configured as PRX, and the nRF24L01 configured as PRX will be able to distinguish between them. Data pipe 0 has a unique 40 bit configurable address. Each of data pipe 1-5 has an 8 bit unique address and shares the 32 most significant address bits. All data pipes can perform full Enhanced ShockBurst™ functionality. nRF24L01 will use the data pipe address when acknowledging a received packet. This means that nRF24L01 will transmit ACK with the same address as it receives payload at. In the PTX device data pipe 0 is used to receive the acknowledge, and therefore the receive address for data pipe 0 has to be equal to the transmit address to be able to receive the acknowledge. See Figure 5 for addressing example.

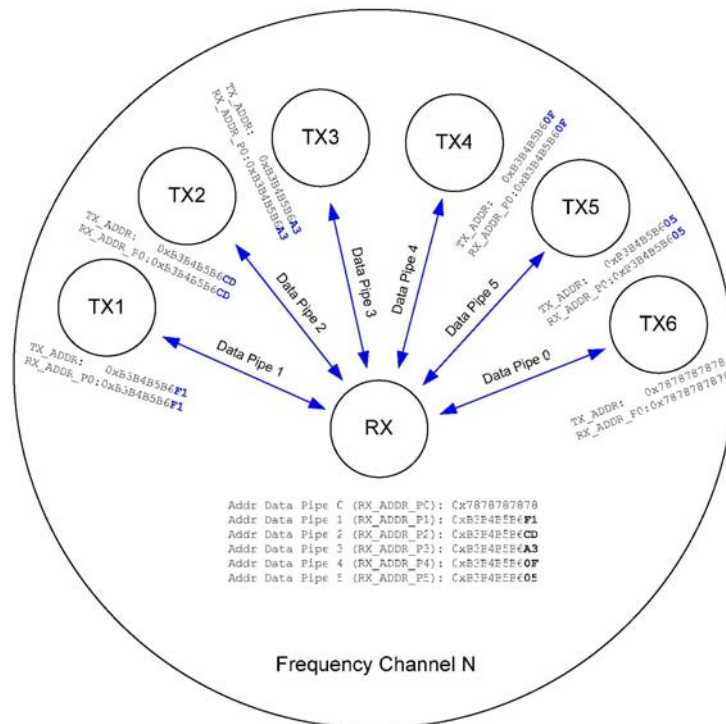


Figure 4: Example on how the acknowledgement addressing is done

An nRF24L01 configured as PTX with Enhanced ShockBurst™ enabled, will use the ShockBurst™ feature to send a packet whenever the microcontroller wants to. After the packet has been transmitted, nRF24L01 will switch on its receiver and expect an acknowledgement to arrive from the terminating part. If this acknowledgement fails to arrive, nRF24L01 will retransmit the same packet until it receives an acknowledgement or the number of retries exceeds the number of allowed retries given in the SETUP\_RETR\_ARC register. If the number of retries exceeds the number of allowed retries, this will show in the STATUS register bit MAX\_RT and gives an interrupt. Whenever an acknowledgement is received by an nRF24L01 it will consider the last transmitted packet as delivered. It will then be cleared from the TX FIFO, and the TX\_DS IRQ source will be set high.

With Enhanced ShockBurst™ nRF24L01 offers the following benefits:

- Highly reduced current consumption due to short time on air and sharp timing when operating with acknowledgement traffic

- Lower system cost. Since the nRF24L01 handles all the high-speed link layer operations, like re-transmission of lost packet and generating acknowledgement to received packets, it is no need for hardware SPI on the system microcontroller to interface the nRF24L01. The interface can be done by using general purpose IO pins on a low cost microcontroller where the SPI is emulated in firmware. With the nRF24L01 this will be sufficient speed even when running a bi-directional link.