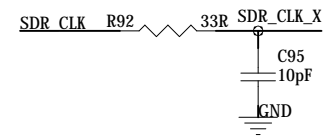
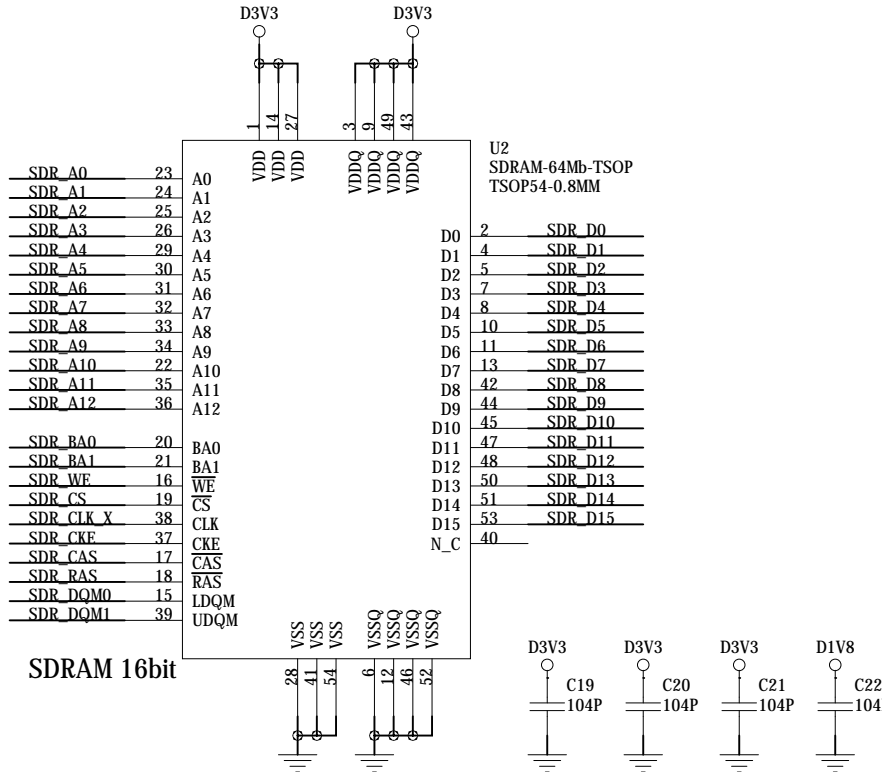
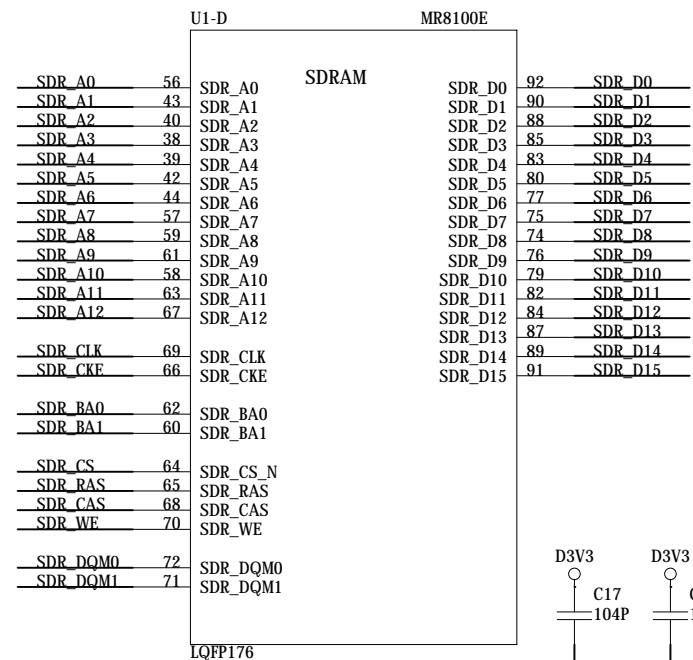
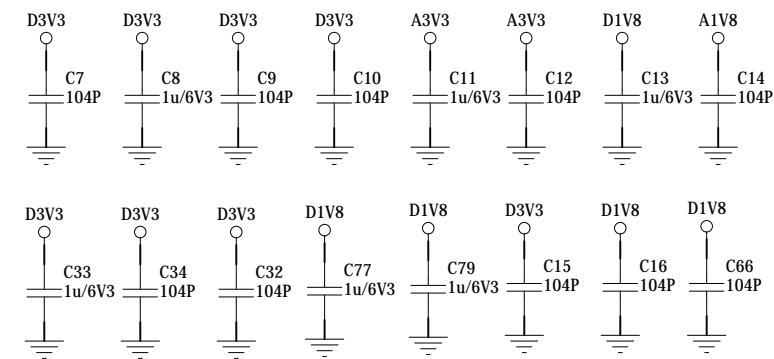
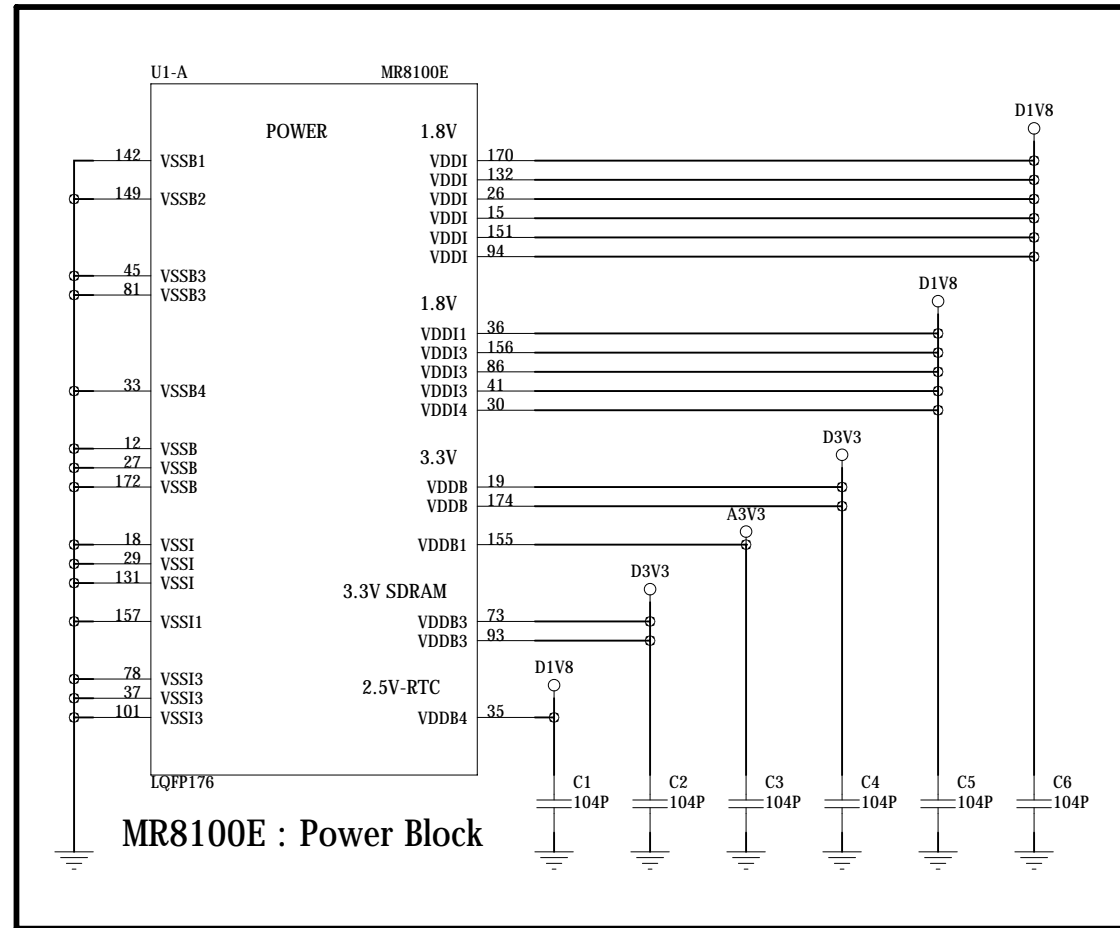
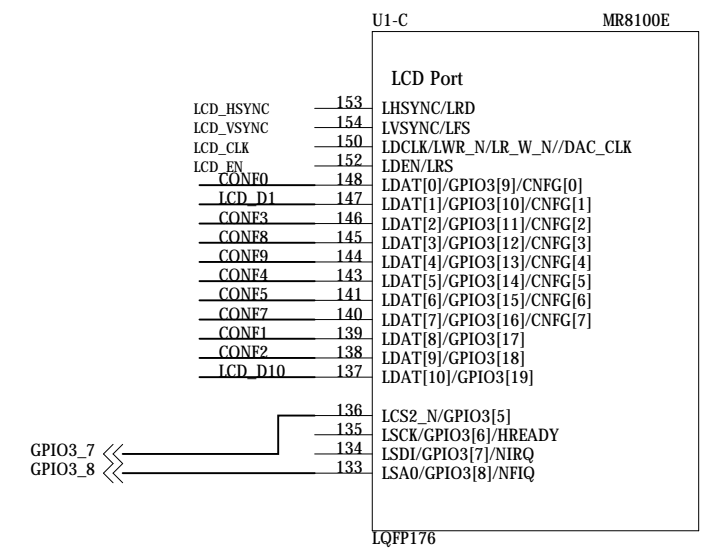
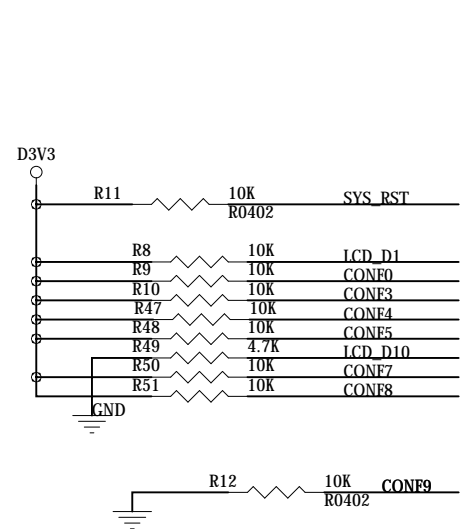
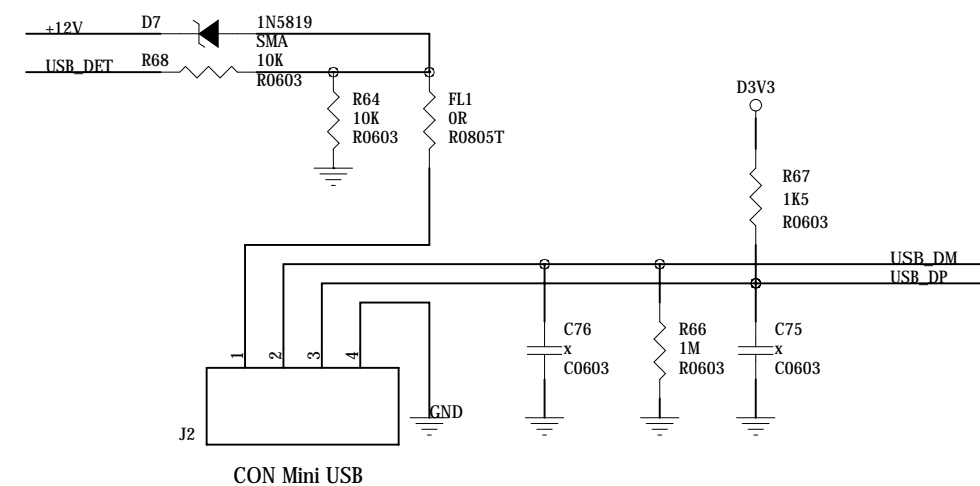
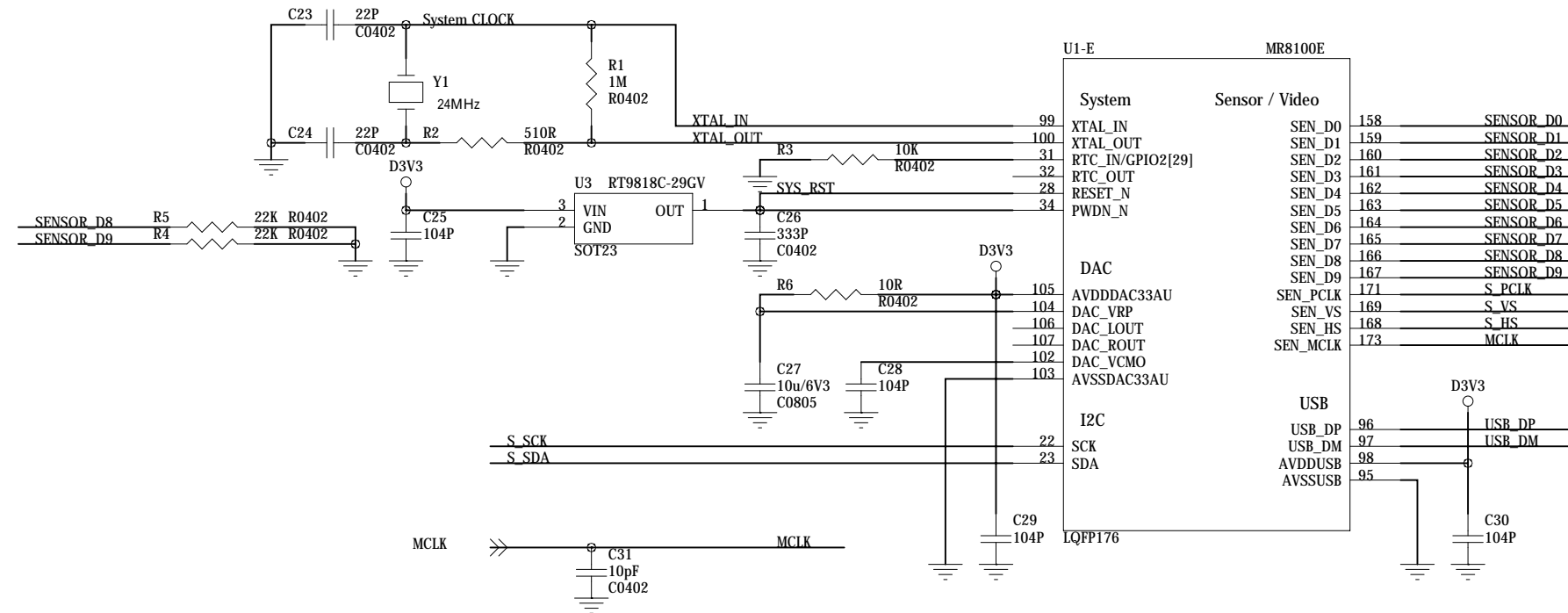


Appendix 5.

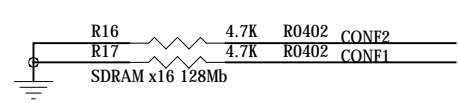
Schematics



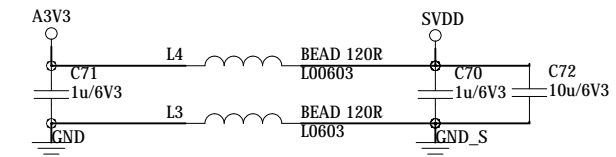
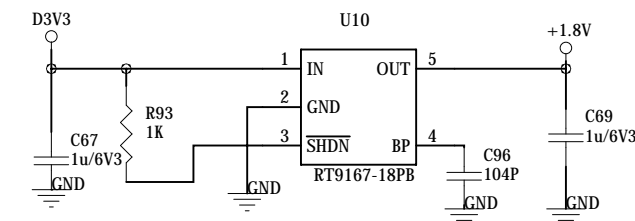
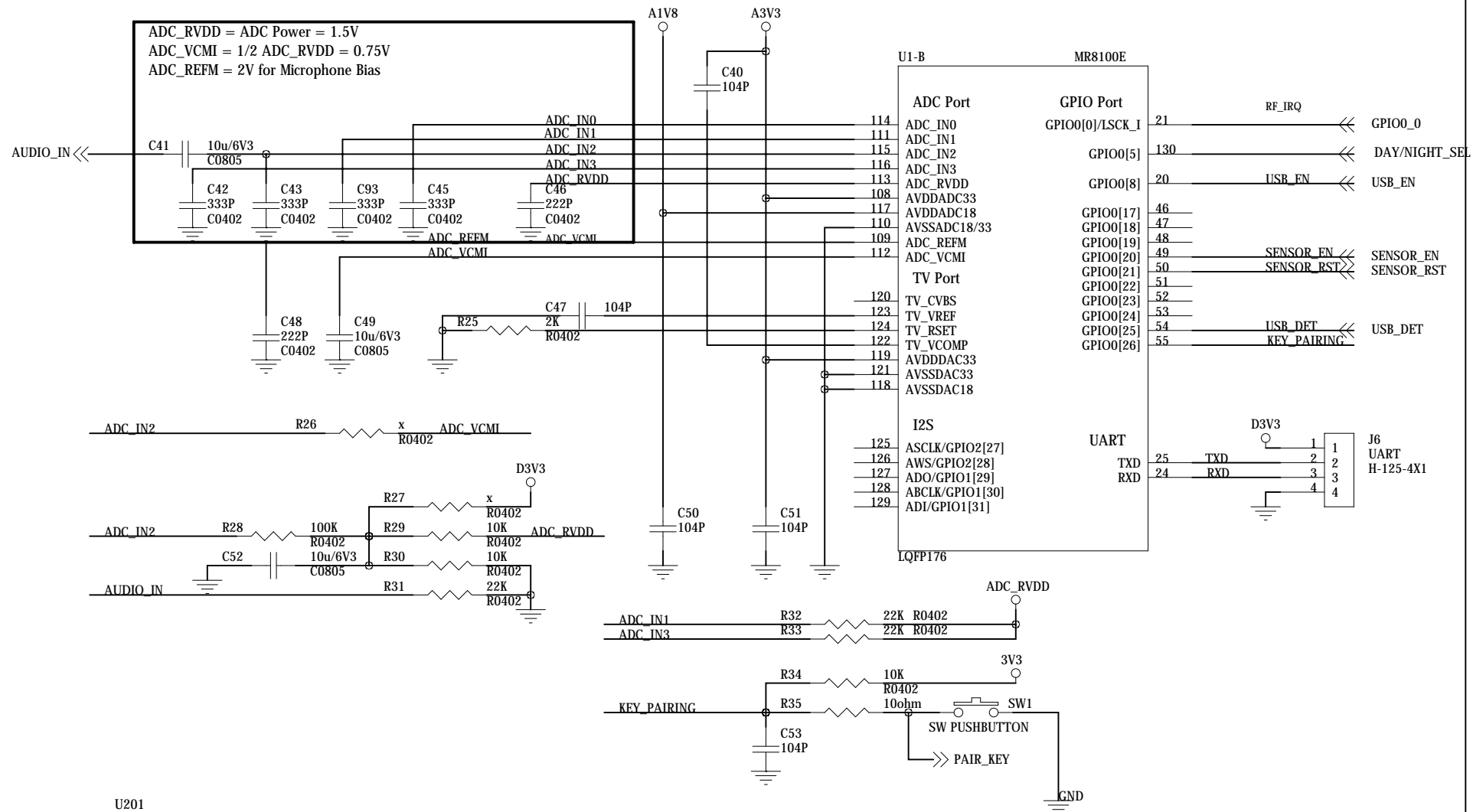
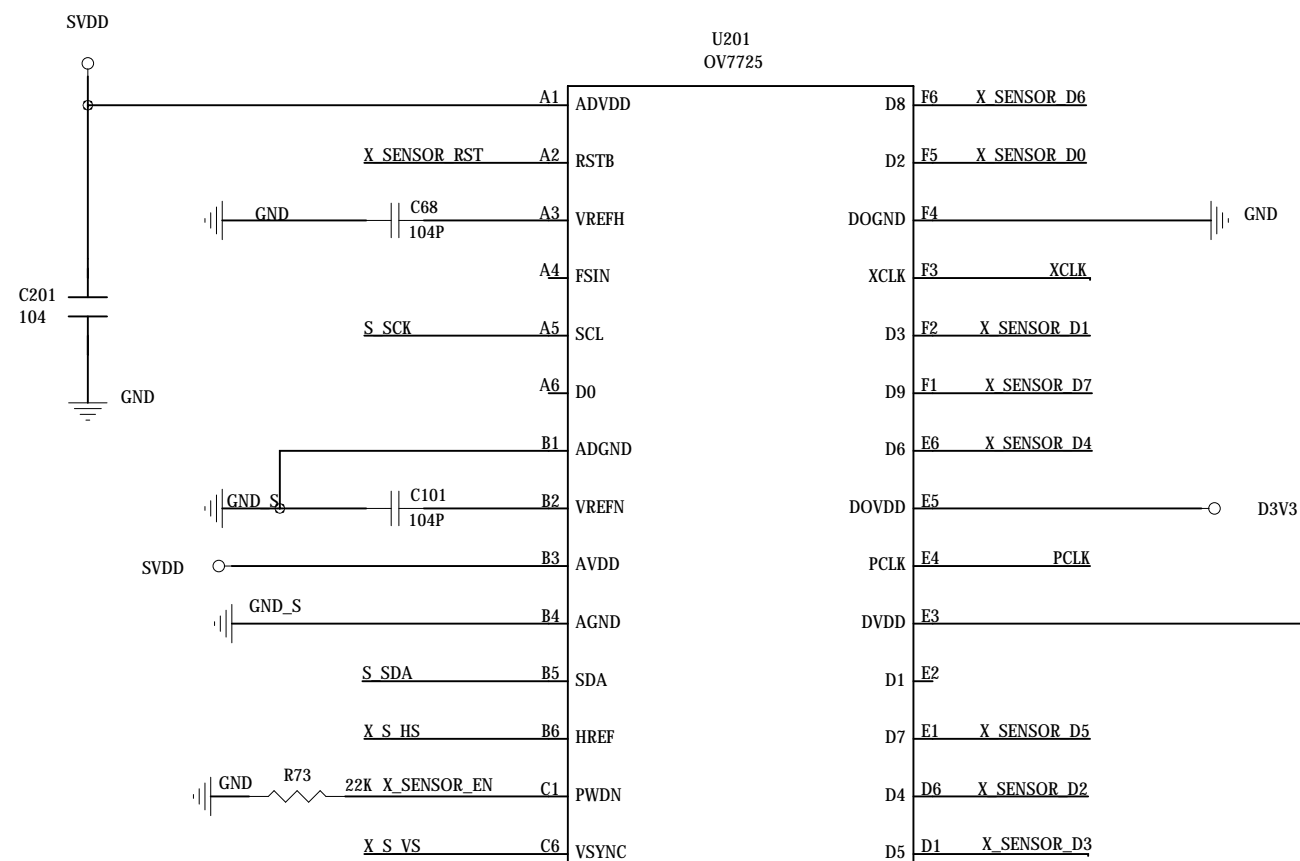
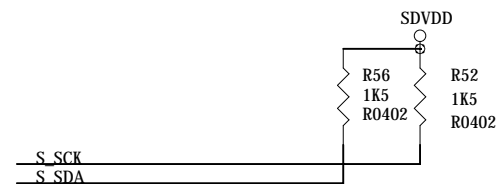
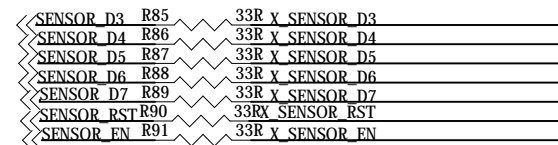
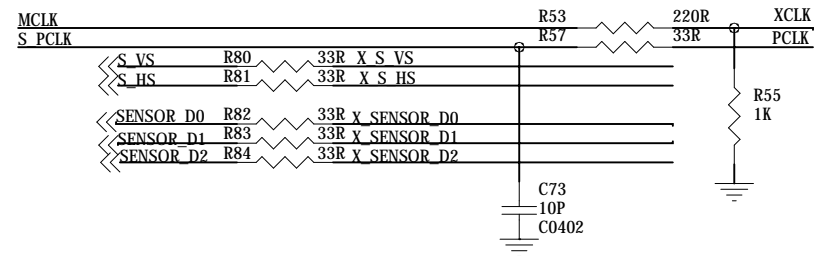
COMPANY: RDI		
TITLE: SEB-1004RW Wireless Camera		
MODEL NO: RDI959	REV: 2.0	
PCB NO: RDI959	REV: 2.0	
DRAWN: Bruce	DATED: 2011-11-12	
CHECKED:	DATED:	
APPROVED:	DATED:	
SCALE: 1:1	SIZE: A3	SHEET: 1 OF 5



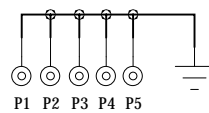
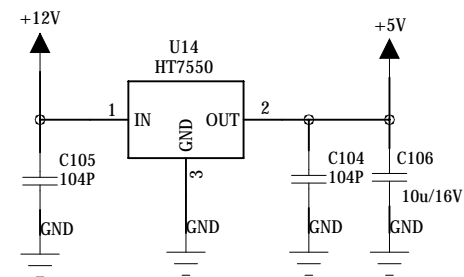
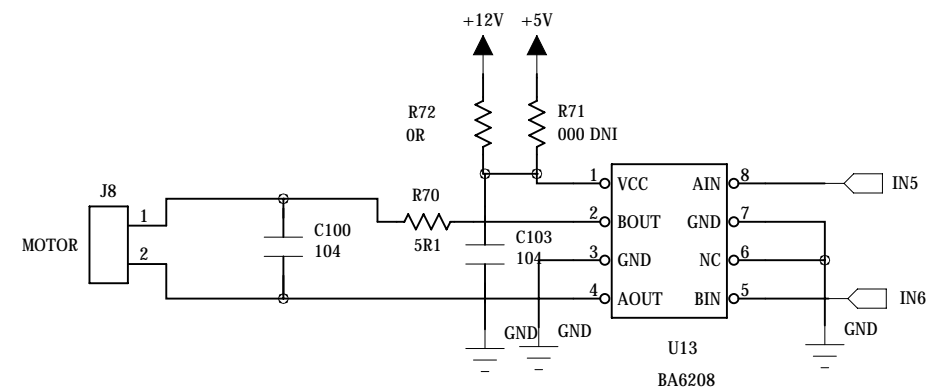
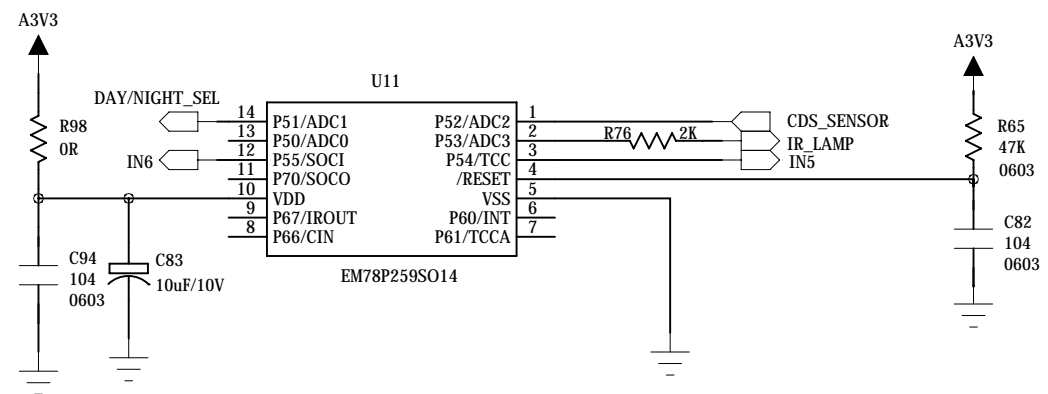
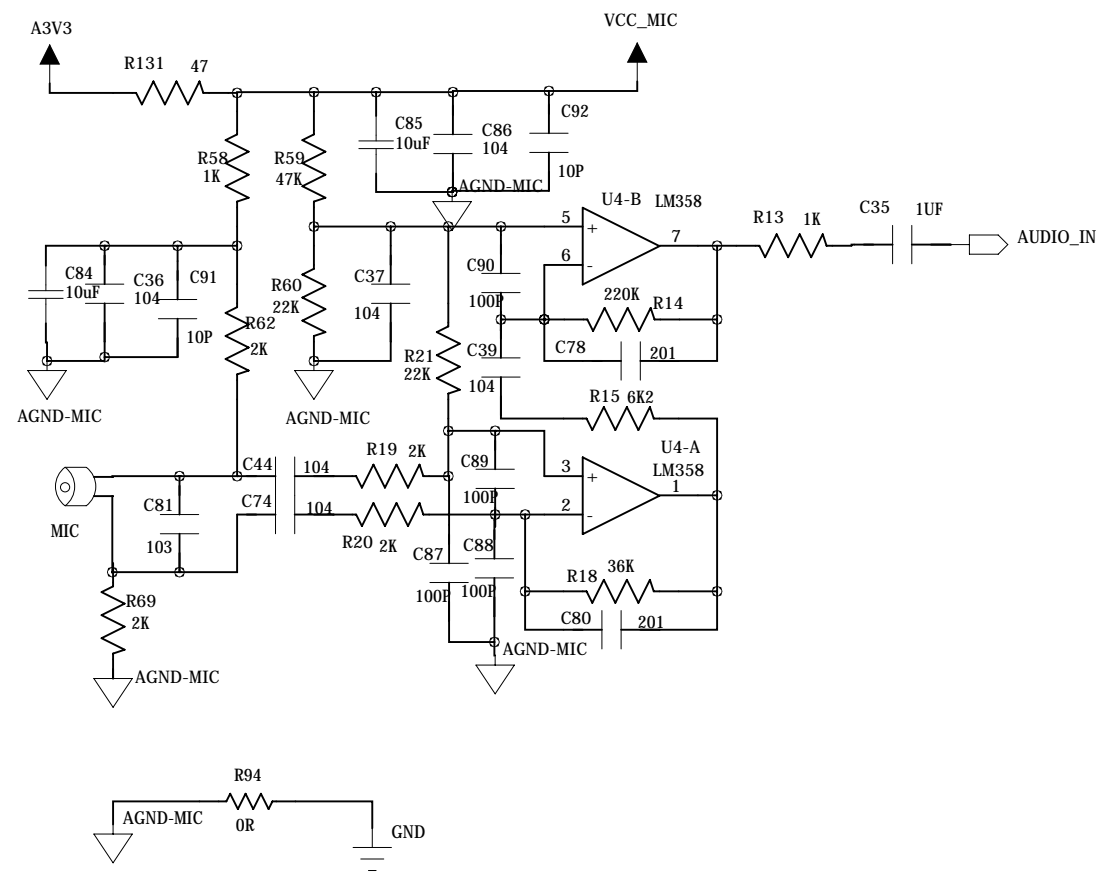
CONF 9 / 8	ROOT Source
0 1	SPI BOOT
1 1	SD BOOT



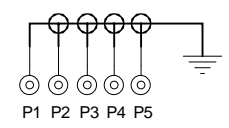
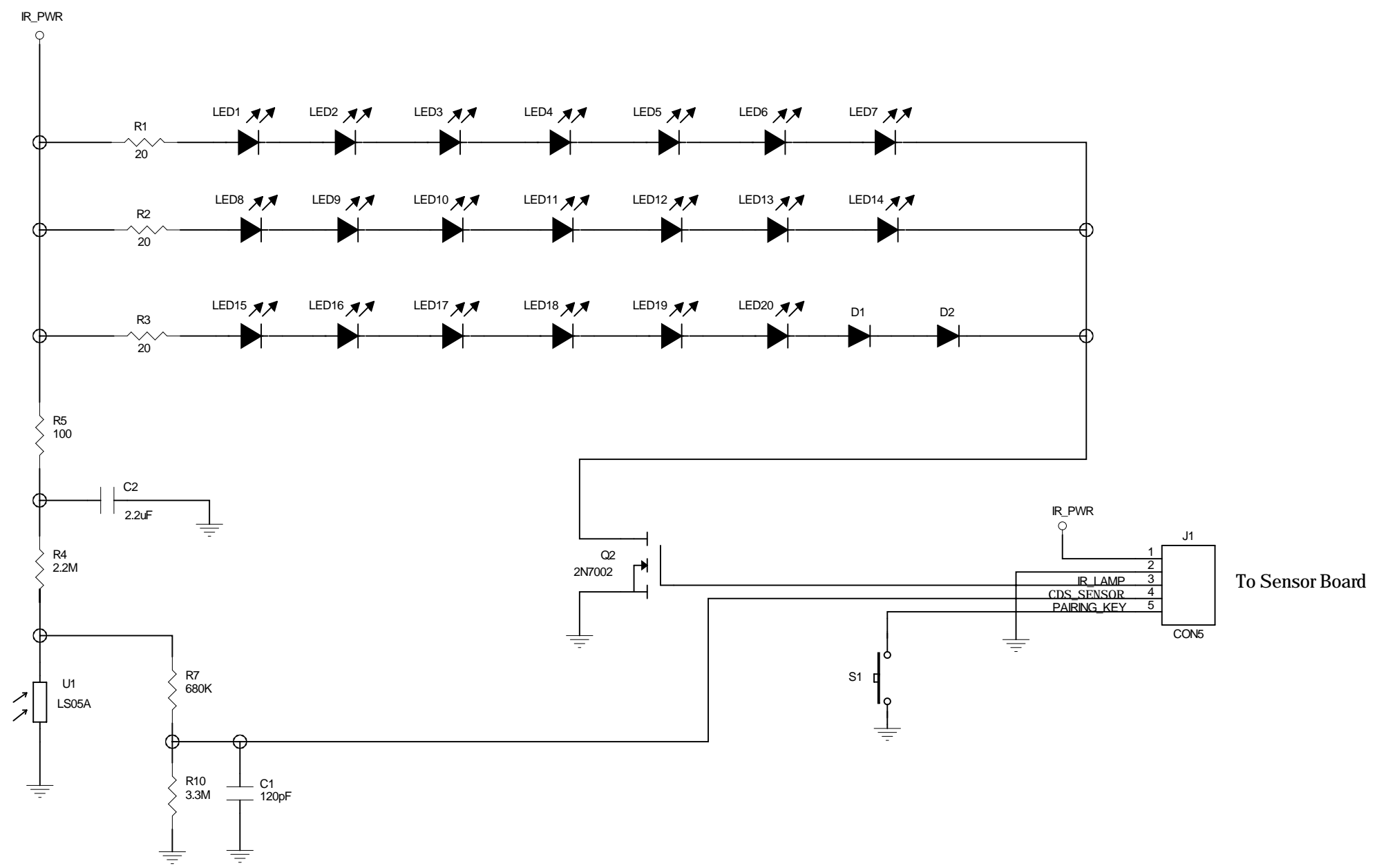
COMPANY: RDI		
TITLE: SEB-1004RW Wireless Camera		
MODEL NO: RDI959	REV: 2.0	
PCB NO: RDI959	REV: 2.0	
DRAWN: Bruce	DATED: 2011-11-12	
CHECKED:	DATED:	
APPROVED:	DATED:	
SCALE: 1:1	SIZE: A3	SHEET: 2 OF 5



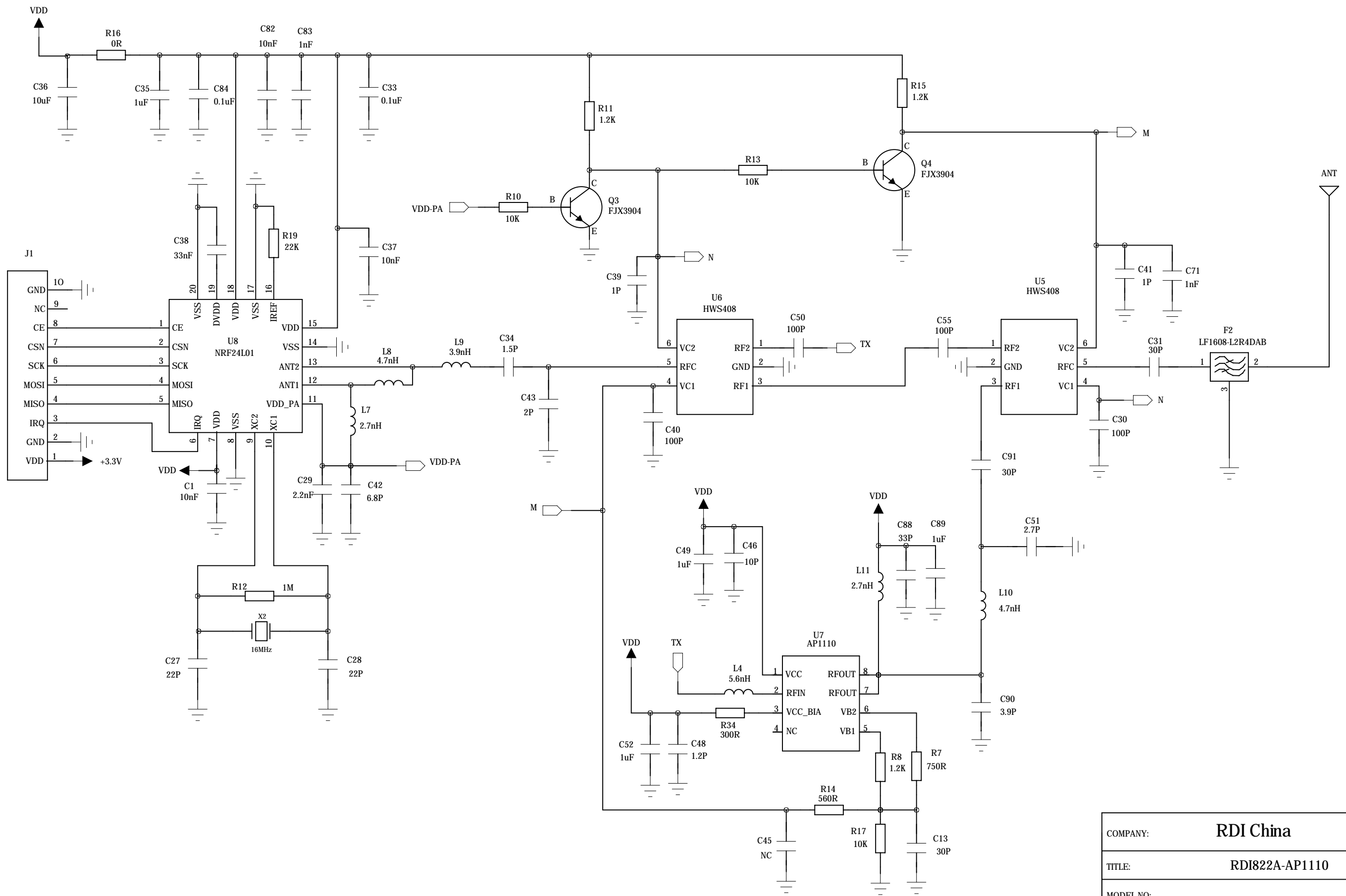
COMPANY: RDI	
TITLE: SEB-1004RW Wireless Camera	
MODEL NO: RDI959	REV: 2.0
PCB NO: RDI959	REV: 2.0
DRAWN: Bruce	DATED: 2011-11-12
CHECKED:	DATED:
APPROVED:	DATED:
SCALE: 1:1	SIZE: A3
SHEET: 3 OF 5	



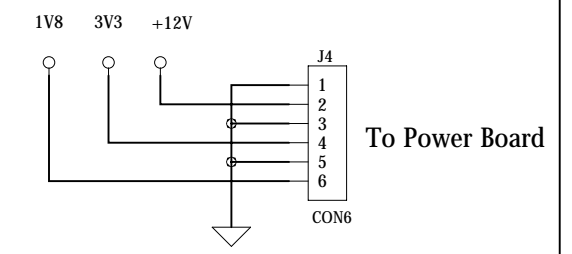
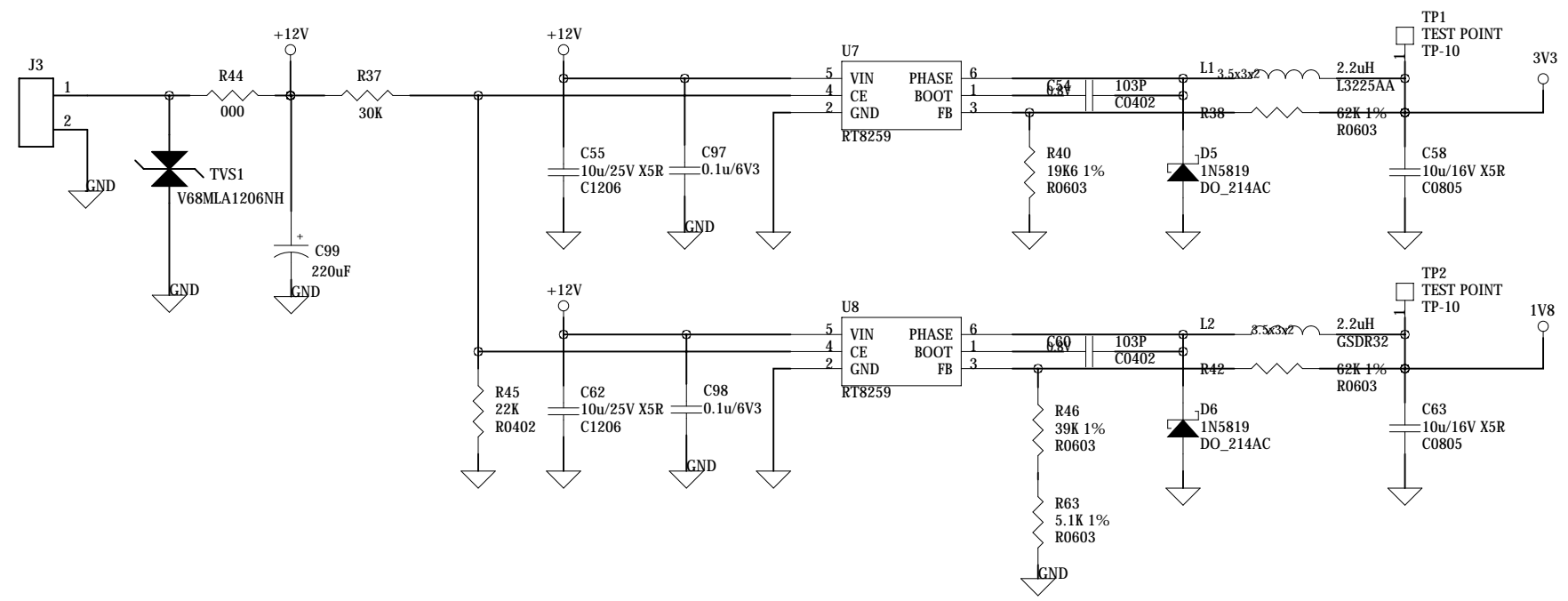
COMPANY: RDI	
TITLE: SEB-1004RW Wireless Camera	
MODEL NO: RD1959	REV: 2.0
PCB NO: RD1959	REV: 2.0
DRAWN: Bruce	DATED: 2011-11-12
CHECKED:	DATED:
APPROVED:	DATED:
SCALE: 1:1	SIZE: A3
SHEET5 OF5	



COMPANY: RDI	
TITLE: SEB-1004RW Wireless Camera	
MODEL NO: RD965	REV: 1.3
PCB NO: RD965	REV: 1.3
DRAWN: Bruce	DATED: 2011-11-12
CHECKED:	DATED:
APPROVED:	DATED:
SCALE: 1:1	SIZE: A3
SHEET: 1 OF 1	



COMPANY:		RDI China	
TITLE:		RDI822A-AP1110	
MODEL NO:		REV:	
PCB NO:		REV:	1.1
DRAWN:	WYH	DATED:	2011-12-29
CHECKED:		DATED:	
APPROVED:		DATED:	
SCALE:	1:1	SIZE:	A3
		SHEET:	OF 1



COMPANY:	RDI		
TITLE:	SEB-1004RW Wireless Camera		
MODEL NO:	RDI964	REV:	1.1
PCB NO:	RDI964	REV:	1.1
DRAWN:	Bruce	DATED:	2012-3-9
CHECKED:		DATED:	
APPROVED:		DATED:	
SCALE:	1:1	SIZE:	A3
		SHEET:	4 OF 5